



US00D701143S

(12) **United States Design Patent**
Shan

(10) **Patent No.:** **US D701,143 S**
(45) **Date of Patent:** **** Mar. 18, 2014**

(54) **ALL-TERRAIN VEHICLE**
(71) Applicant: **Massimo Motor Sports, LLC**, Irving, TX (US)
(72) Inventor: **Jianxun David Shan**, Plano, TX (US)
(73) Assignee: **Massimo Motor Sports, LLC**, Irving, TX (US)
(**) Term: **14 Years**
(21) Appl. No.: **29/438,712**
(22) Filed: **Dec. 3, 2012**
(51) **LOC (10) Cl.** **12-08**
(52) **U.S. Cl.**
USPC **D12/87**
(58) **Field of Classification Search**
USPC D12/86, 87, 173, 107, 1, 14, 85, 88,
D12/96-98, 196, 182, 184, 223, 229, 233,
D12/311, 312, 315; 180/208, 224, 291, 309,
180/311, 337, 89, 12, 88.1; 280/779, 781;
296/146, 11, 203, 203.03,
296/180.1-180.3, 181.1-181.5, 193.11,
296/77.1, 78.1, 187.12
See application file for complete search history.

D517,952 S * 3/2006 Luh D12/107
D528,044 S * 9/2006 Ichikawa et al. D12/107
D532,350 S * 11/2006 Angelo et al. D12/173
D562,189 S * 2/2008 Miwa et al. D12/107
D632,224 S * 2/2011 Peltola et al. D12/96
D654,401 S * 2/2012 Peltola et al. D12/96
D665,705 S * 8/2012 Lepine et al. D12/107

* cited by examiner

Primary Examiner — Susan E Krakower

Assistant Examiner — Linda Brooks

(74) *Attorney, Agent, or Firm* — Winstead PC

(57) **CLAIM**

The ornamental design for an all-terrain vehicle, as shown and described.

DESCRIPTION

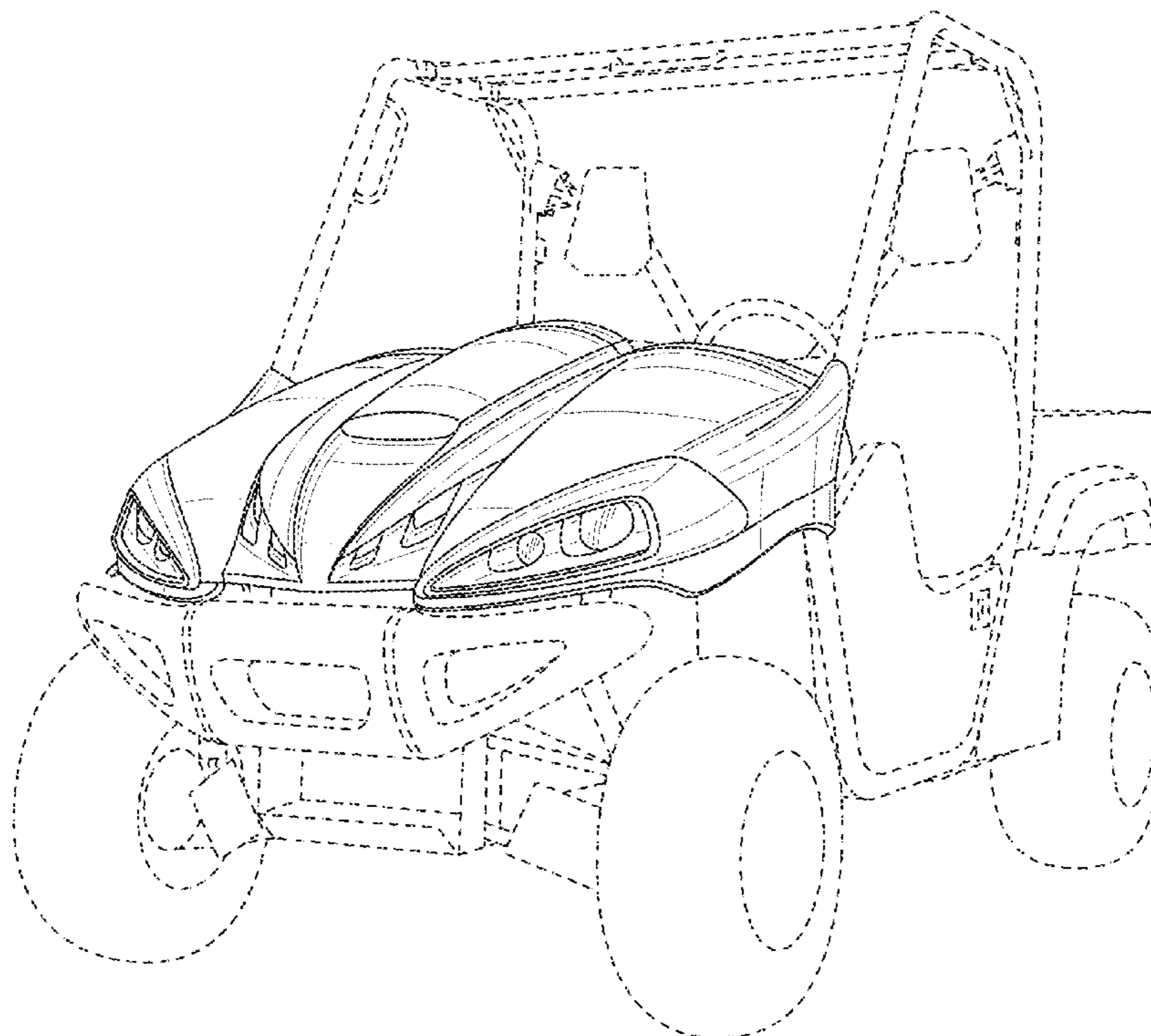
FIG. 1 is a front perspective view of an all-terrain vehicle showing my new design;
FIG. 2 is a front view thereof;
FIG. 3 is a back view thereof;
FIG. 4 is a side view thereof;
FIG. 5 is a side view thereof;
FIG. 6 is a top view thereof; and,
FIG. 7 is a bottom view thereof.
Where included, the broken lines showing environment or structure are for illustrative purposes only and form no part of the claimed design.

(56) **References Cited**

U.S. PATENT DOCUMENTS

D425,843 S * 5/2000 Hayashi D12/196
D445,363 S * 7/2001 Luh D12/107

1 Claim, 7 Drawing Sheets



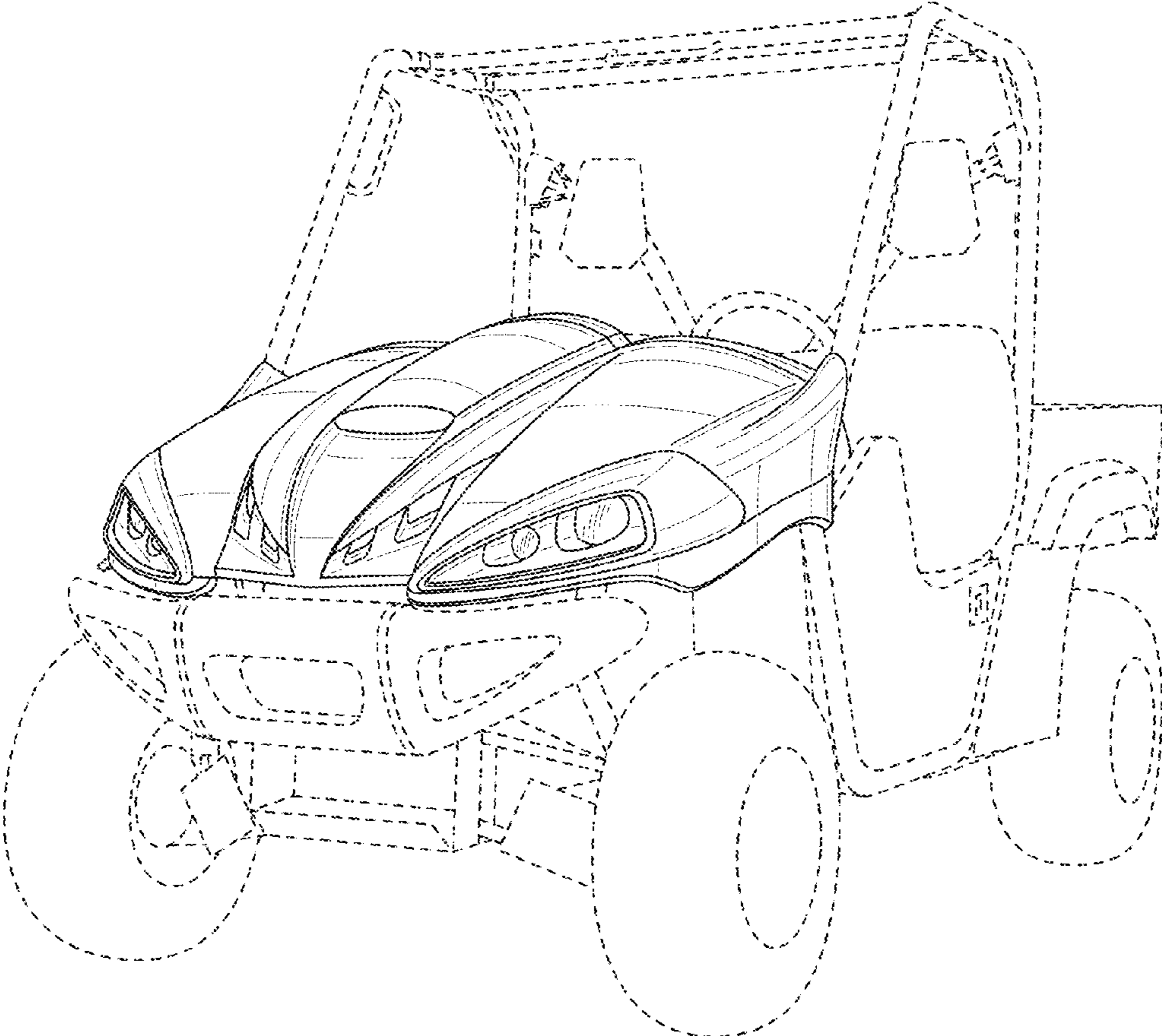


FIG. 1

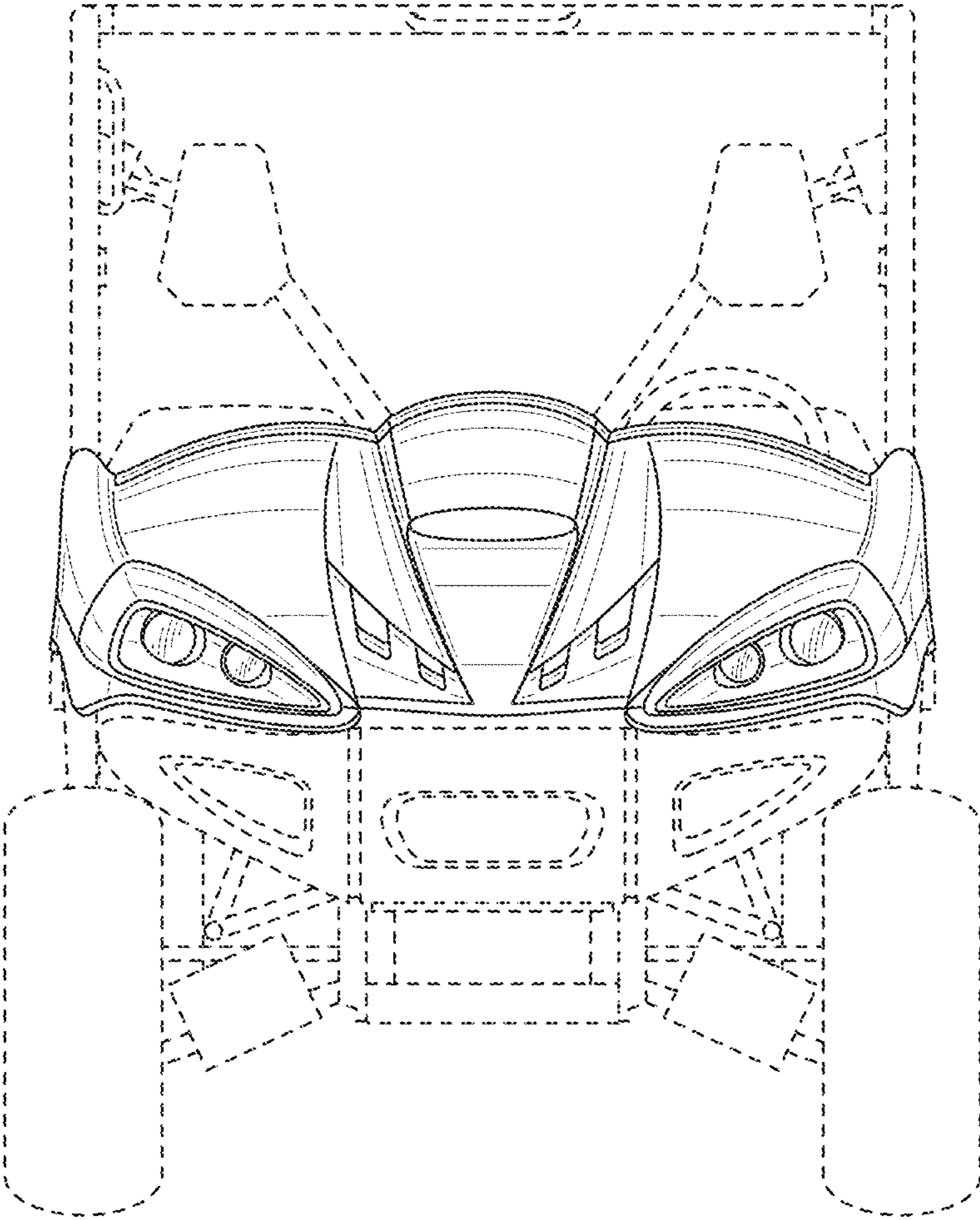


FIG. 2

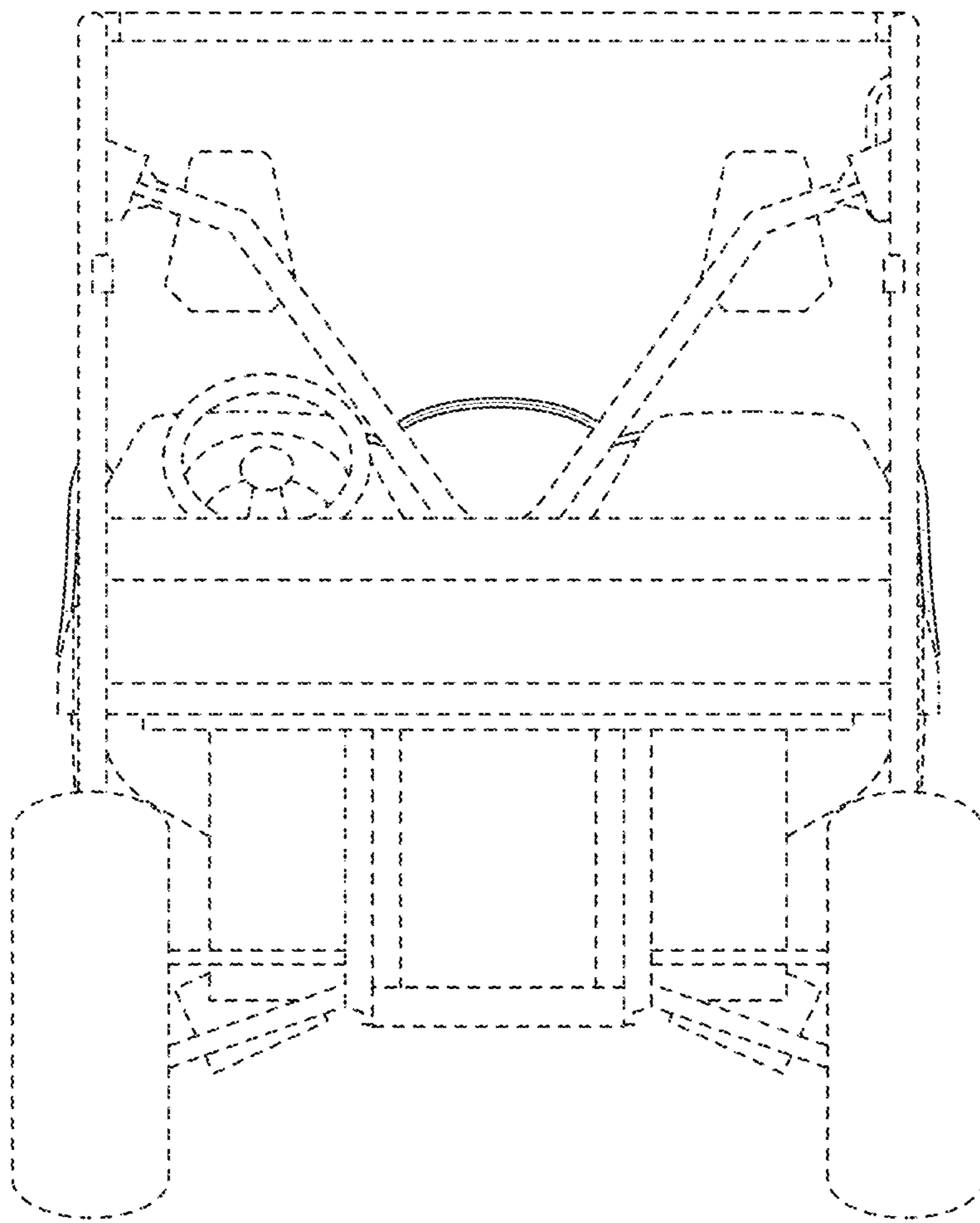


FIG. 3

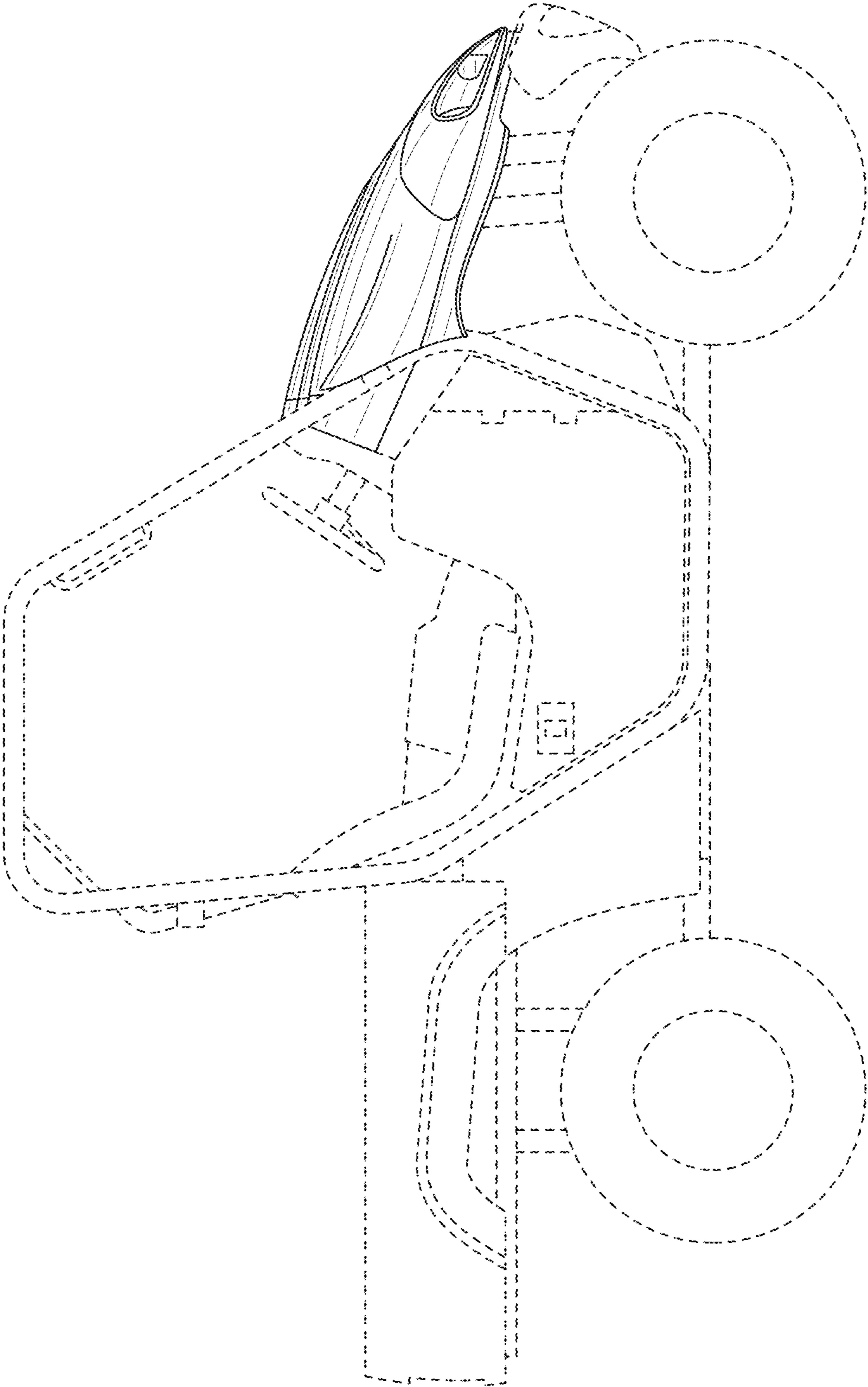


FIG. 4

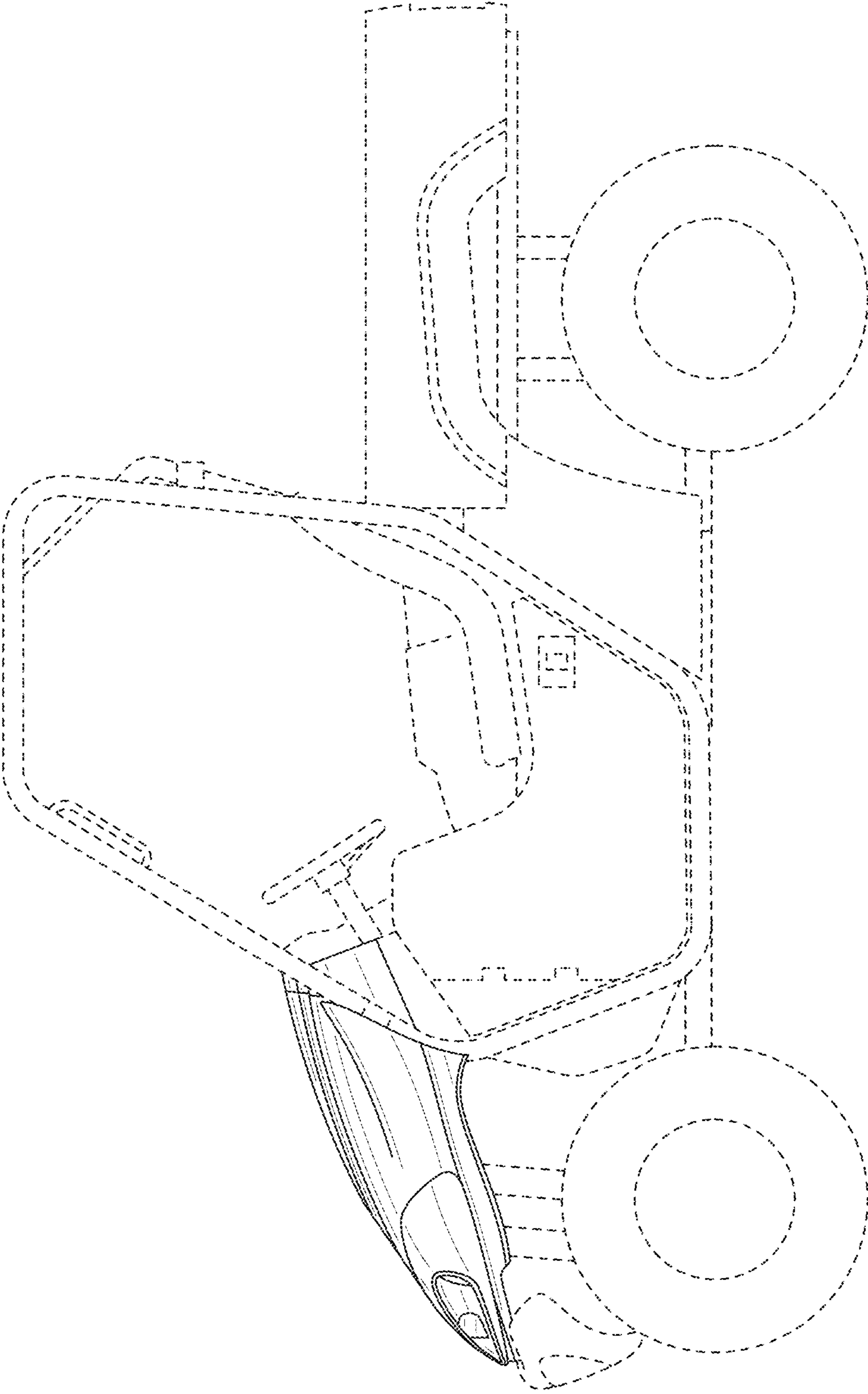


FIG. 5

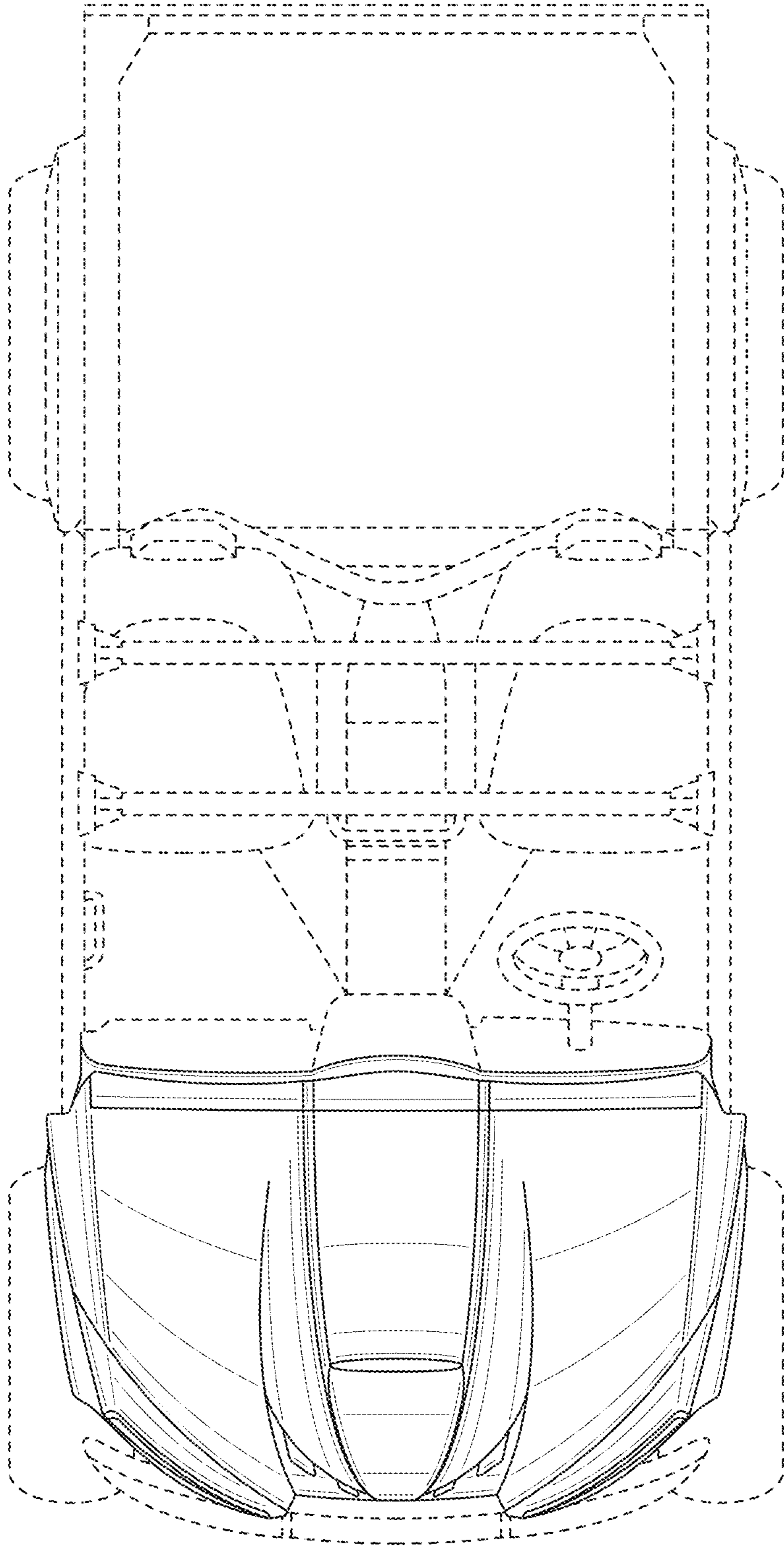


FIG. 6

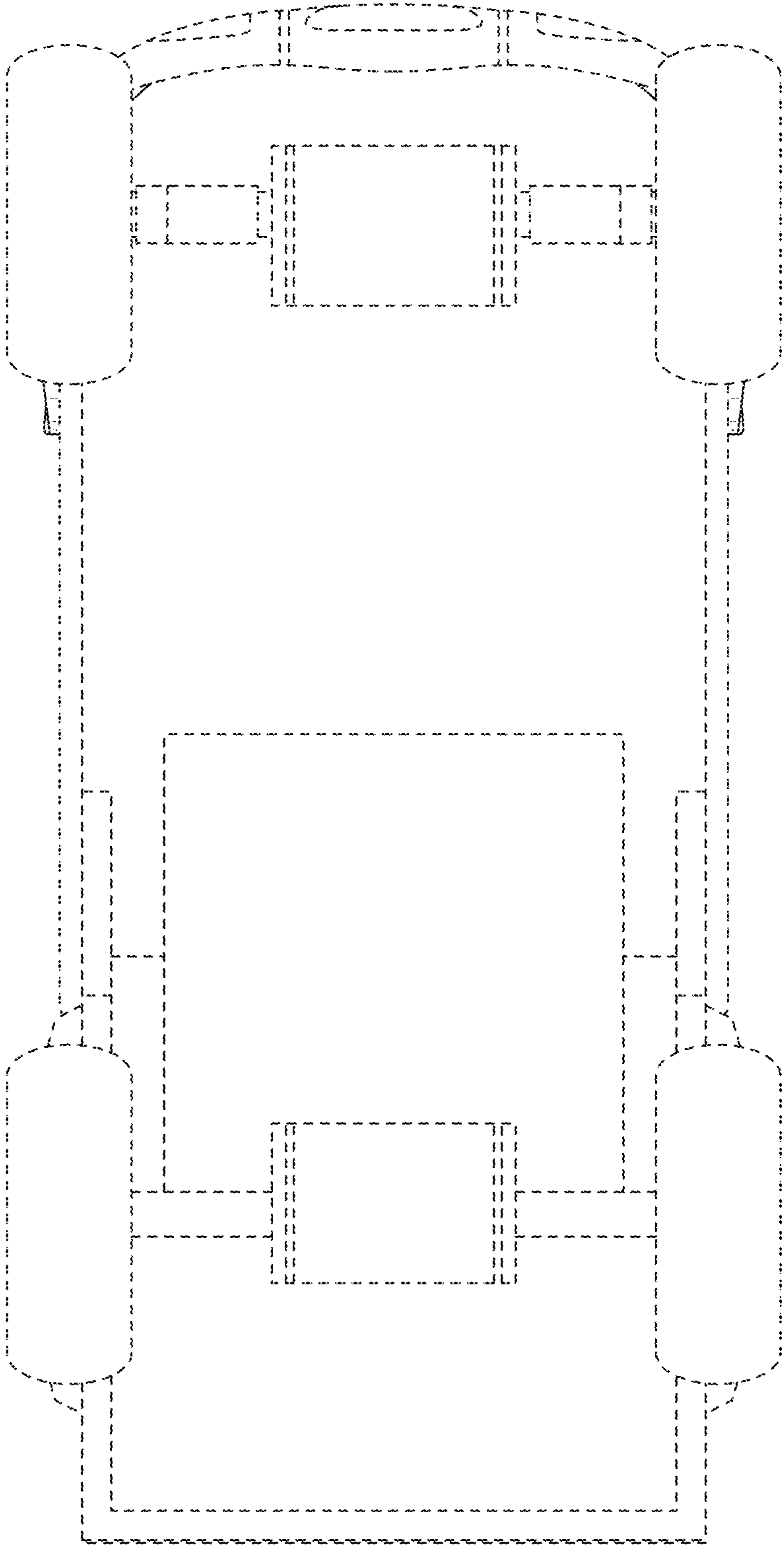


FIG. 7