



US00D701139S

(12) **United States Design Patent**
Kadoishi

(10) **Patent No.:** **US D701,139 S**
(45) **Date of Patent:** **** Mar. 18, 2014**

- (54) **BUCKLE**
- (71) Applicant: **Nifco Inc.**, Yokohama (JP)
- (72) Inventor: **Yumiko Kadoishi**, Yokohama (JP)
- (73) Assignee: **Nifco Inc.**, Yokohama-shi (JP)
- (**) Term: **14 Years**
- (21) Appl. No.: **29/442,445**
- (22) Filed: **Mar. 4, 2013**

- D619,042 S * 7/2010 Uehara D11/216
- D635,057 S * 3/2011 Pontaoe D11/216
- D646,998 S * 10/2011 Kawaguchi D11/218
- D646,999 S * 10/2011 Kawaguchi D11/218
- D688,157 S * 8/2013 Kao D11/216

* cited by examiner

Primary Examiner — Ralf Seifert

(74) *Attorney, Agent, or Firm* — Manabu Kanesaka

(57) **CLAIM**

The ornamental design for a buckle, as shown and described.

DESCRIPTION

- (30) **Foreign Application Priority Data**
- Sep. 5, 2012 (JP) 2012-021330
- (51) **LOC (10) Cl.** **02-07**
- (52) **U.S. Cl.**
- USPC **D11/216**
- (58) **Field of Classification Search**
- USPC D11/1, 2, 200–219, 222–237; 24/163 R,
24/169–171, 173, 177–179, 191, 194–195,
24/197, 200, 614–616, 625
- See application file for complete search history.

FIG. 1 is a first perspective view of a buckle showing my new design;
 FIG. 2 is a second perspective view thereof;
 FIG. 3 is a front view thereof;
 FIG. 4 is a rear view thereof;
 FIG. 5 is a left side view thereof, a right side view being symmetrical to the left side view;
 FIG. 6 is a plan view thereof;
 FIG. 7 is a bottom view thereof;
 FIG. 8 is a cross-sectional view thereof along the line 8-8 in FIG. 3;
 FIG. 9 is a first perspective view of a male body of the buckle;
 FIG. 10 is a second perspective view thereof;
 FIG. 11 is a first perspective view of a female body of the buckle; and,
 FIG. 12 is a second perspective view thereof.
 Outer thick lines indicate outer shapes of the buckle, and inner thin lines indicate inner contour of the buckle for illustration purpose.

- (56) **References Cited**
- U.S. PATENT DOCUMENTS
- D576,521 S * 9/2008 Kolasa et al. D11/218
- D593,902 S * 6/2009 Yoshiguchi D11/216
- D597,441 S * 8/2009 Uehara D11/216

1 Claim, 7 Drawing Sheets

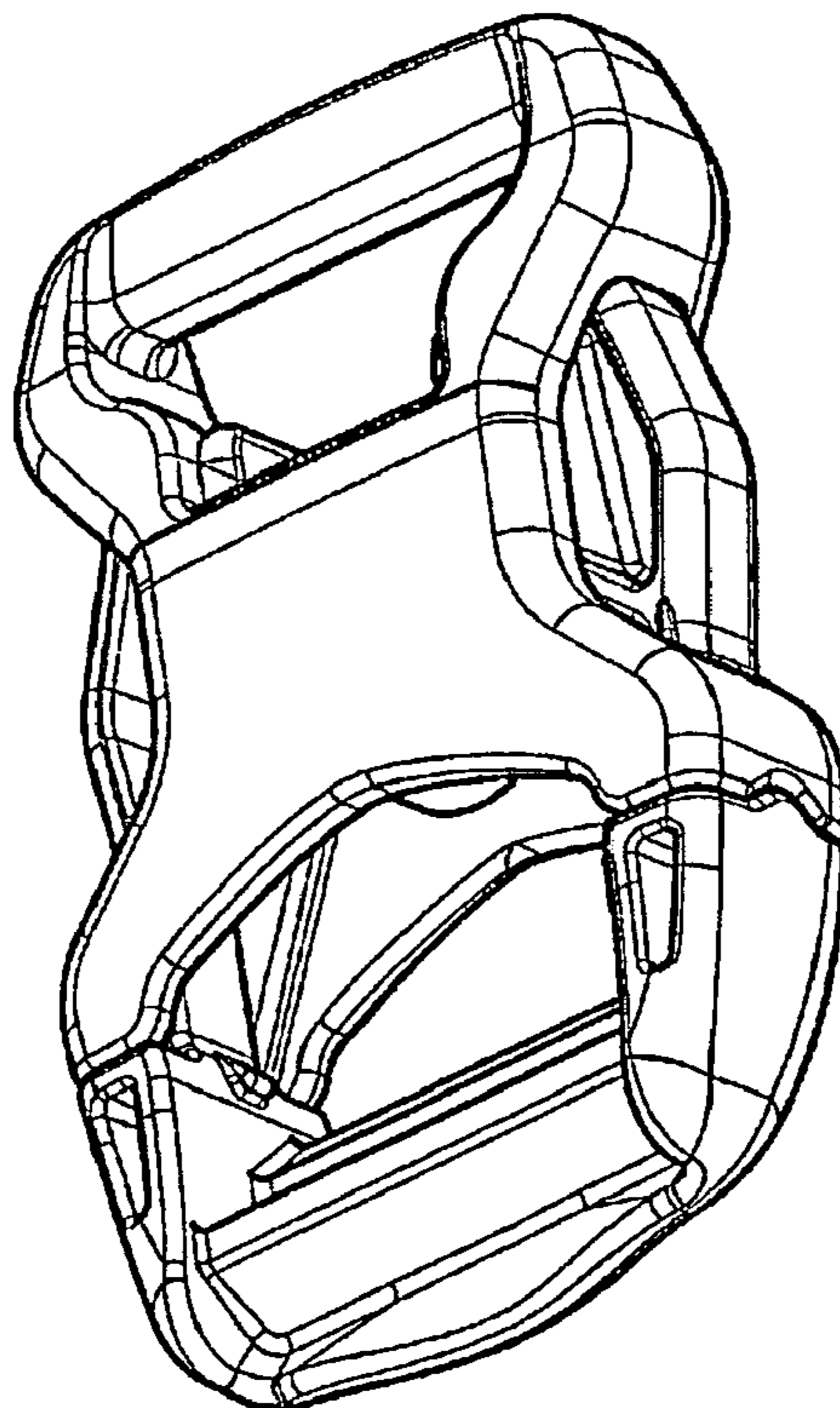


FIG. 1

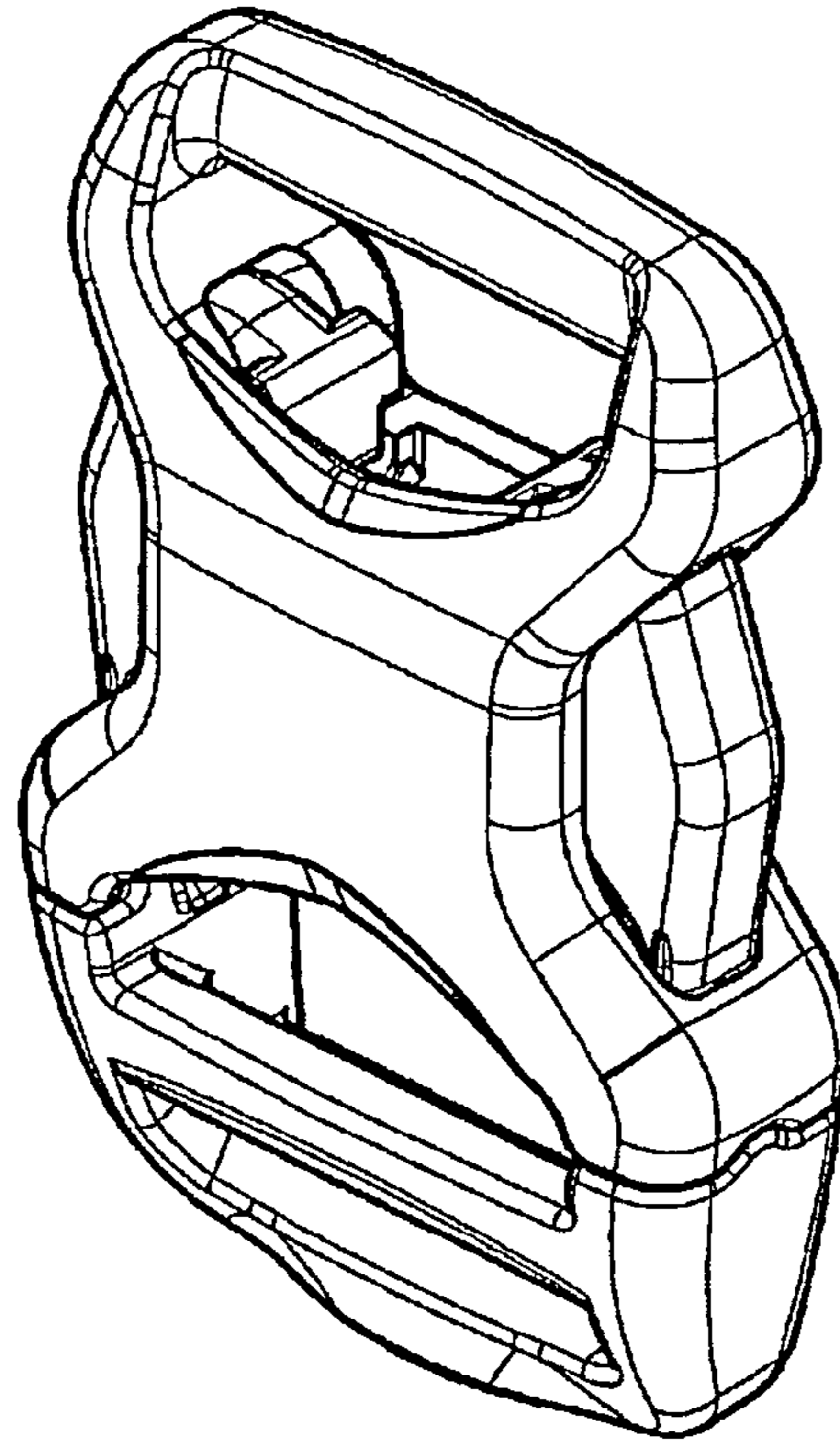


FIG. 2

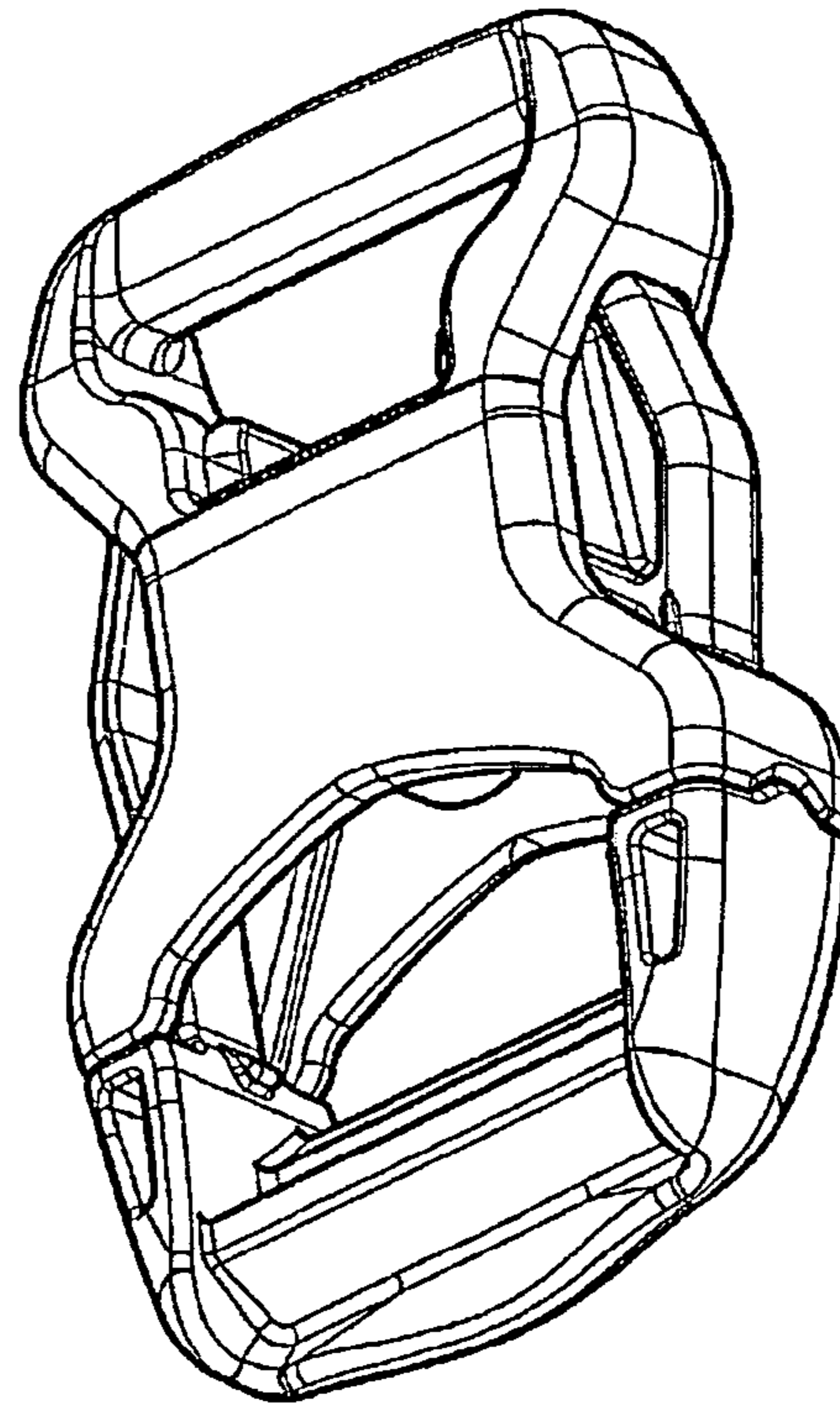


FIG. 3

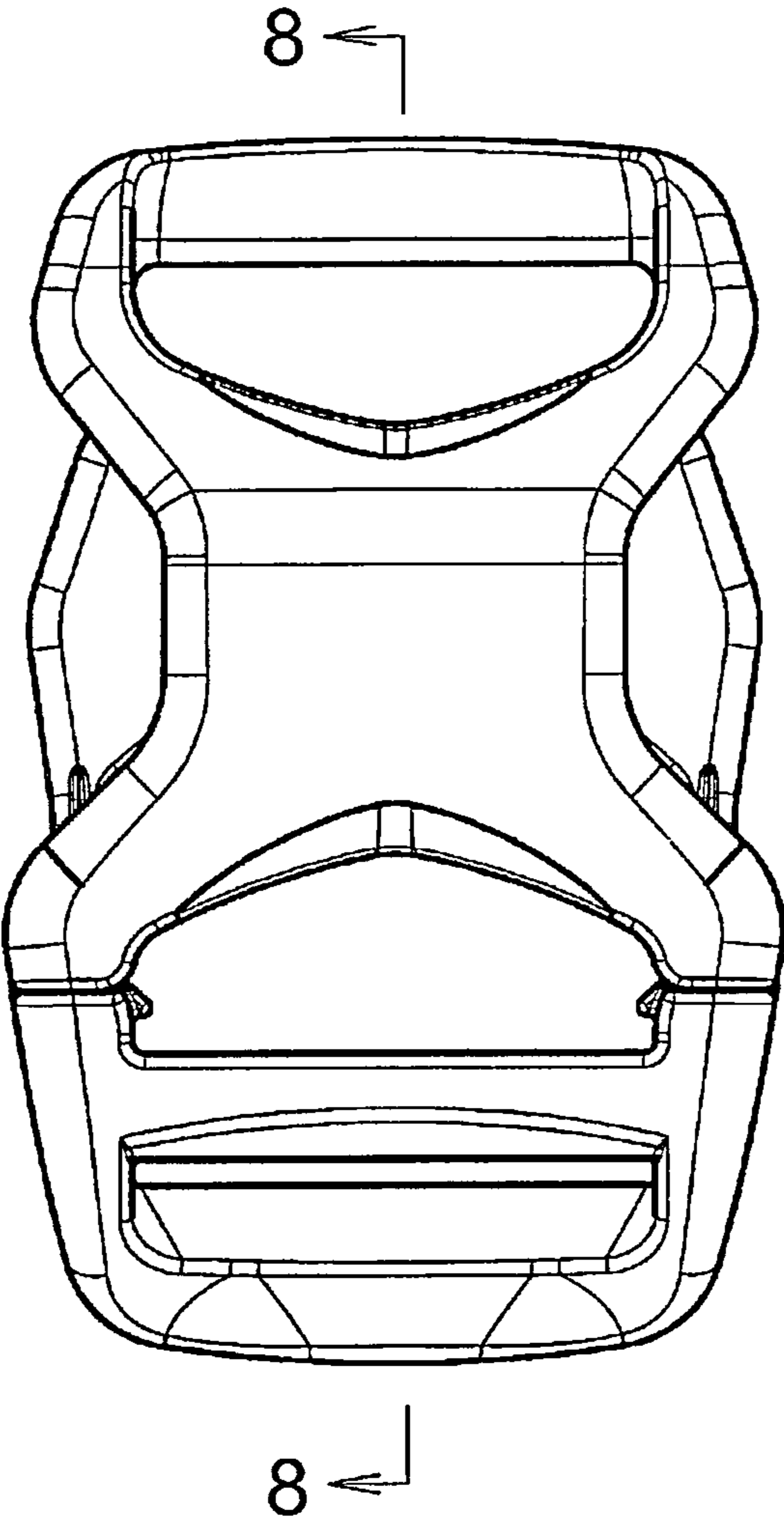


FIG. 4

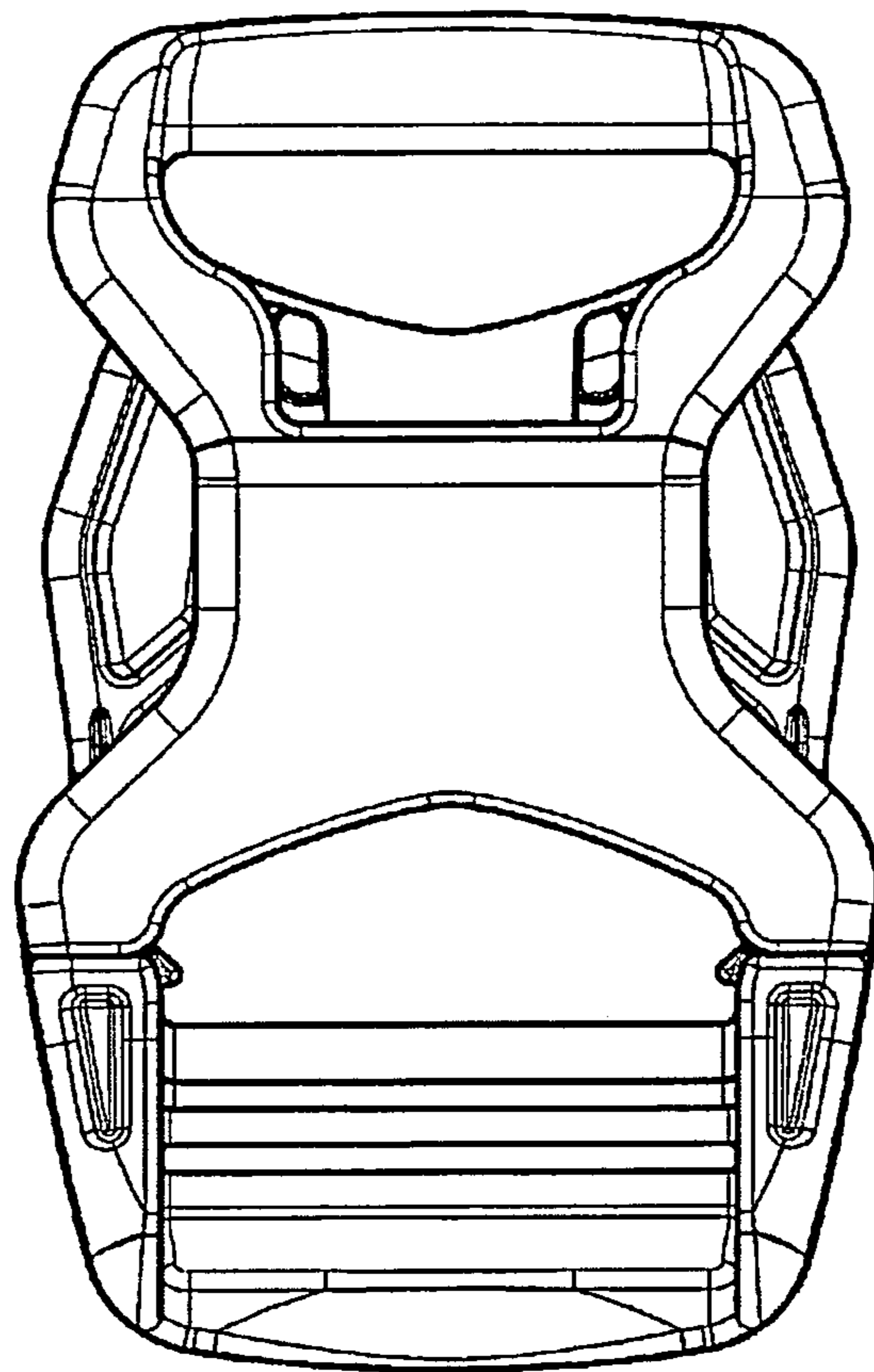


FIG. 5

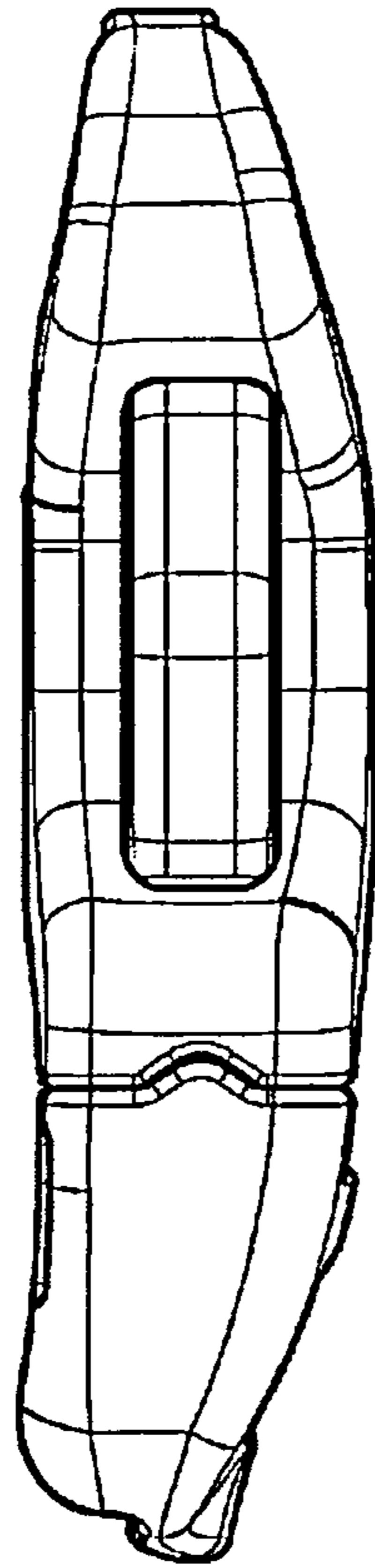


FIG. 6

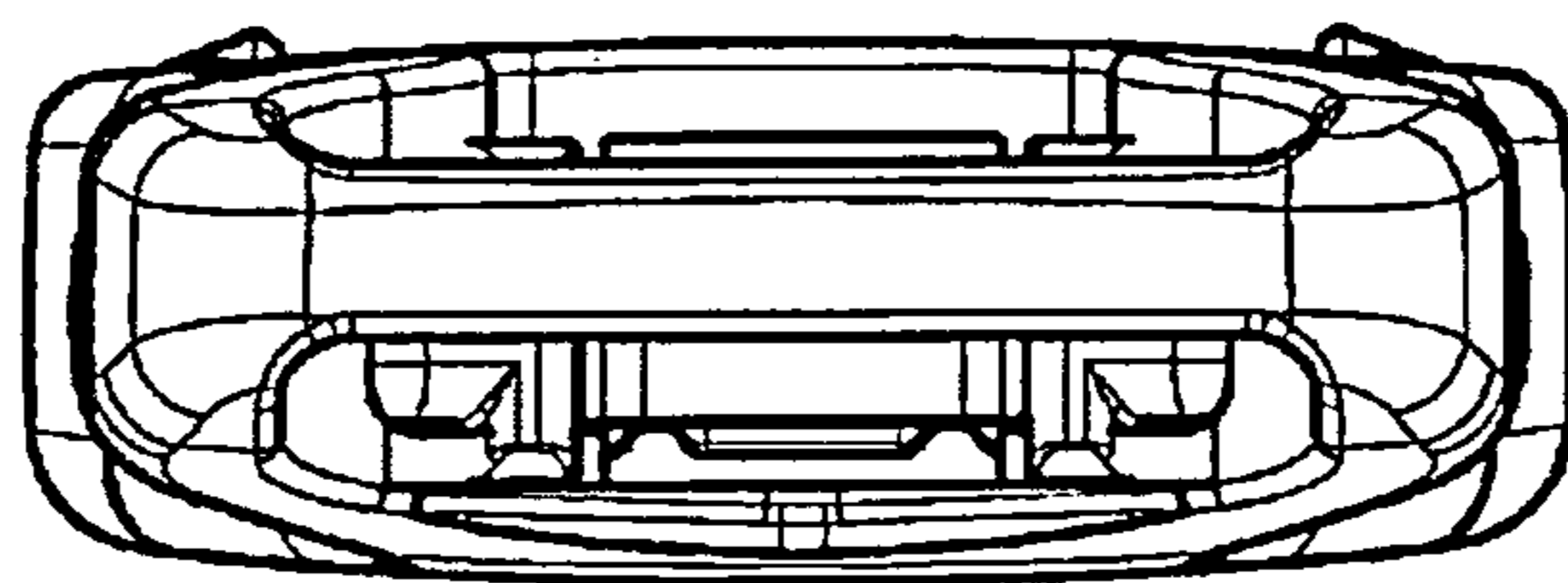


FIG. 7

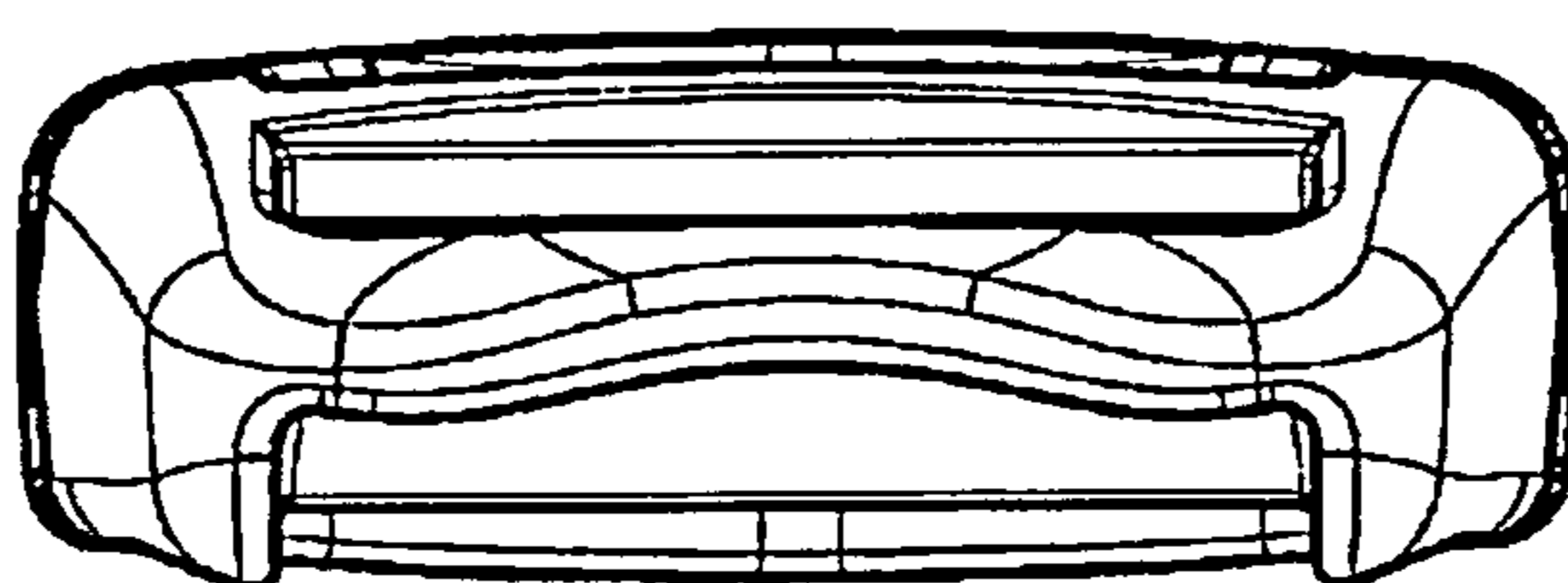


FIG. 8

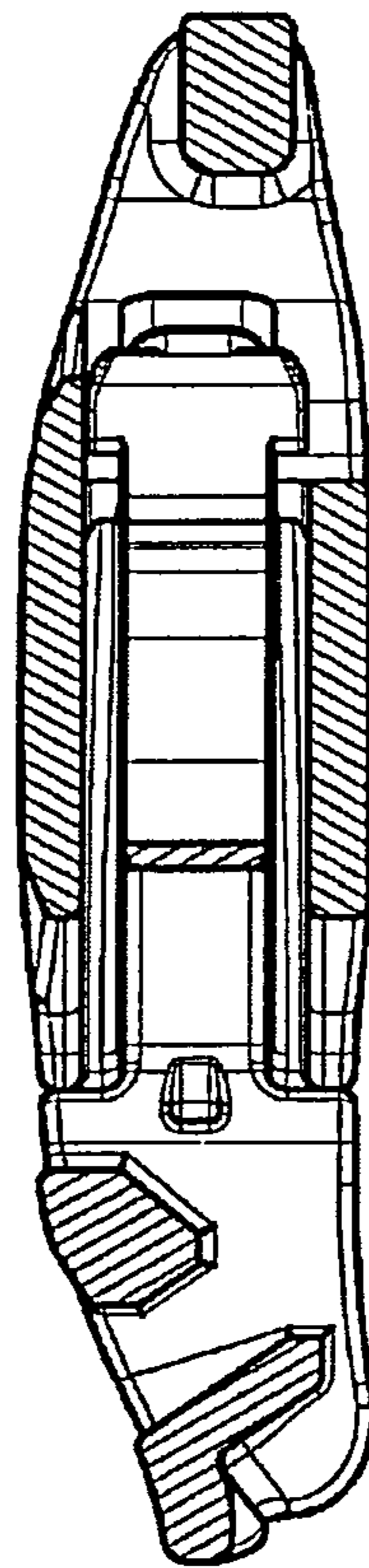


FIG. 9

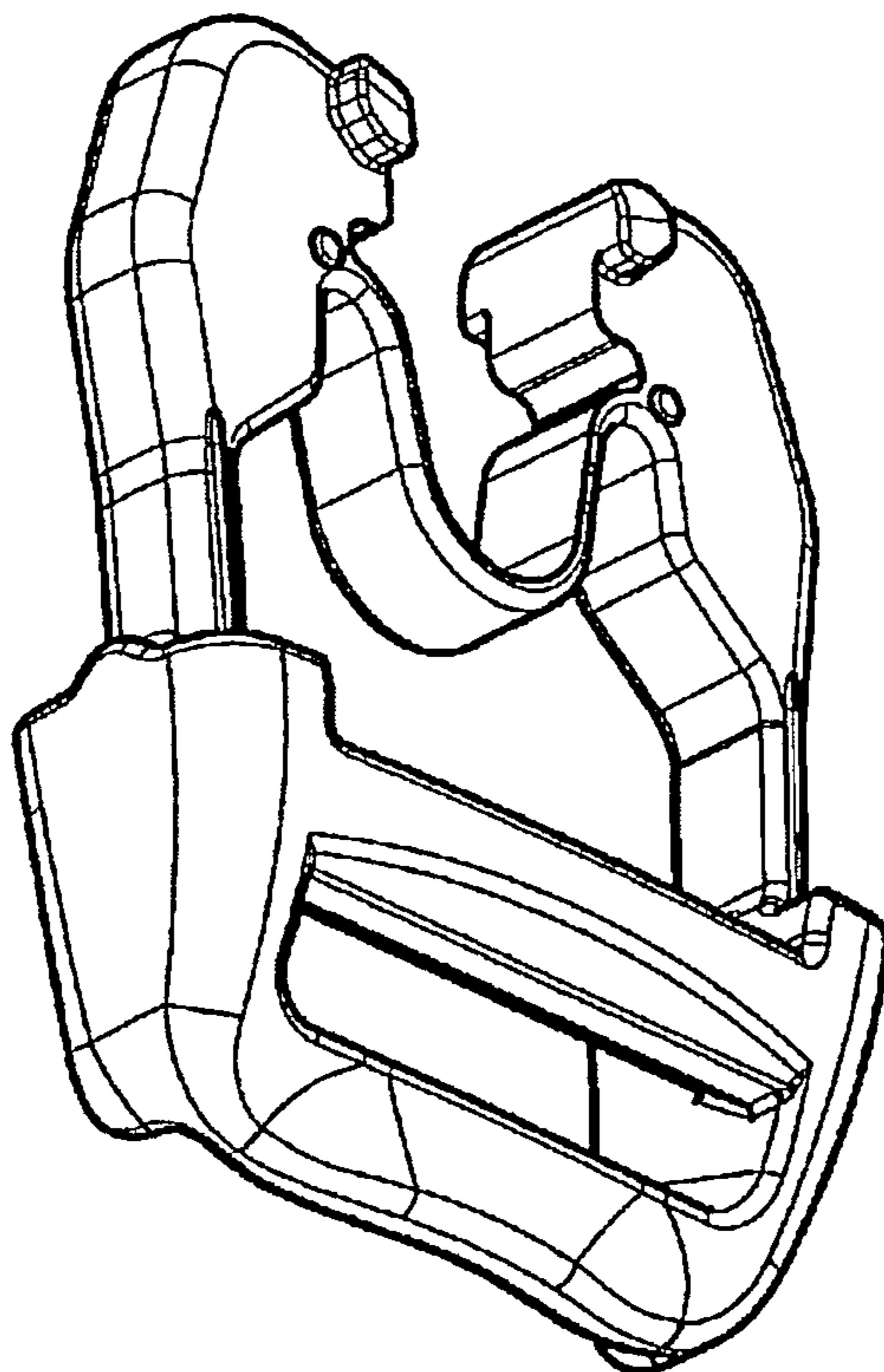


FIG. 10

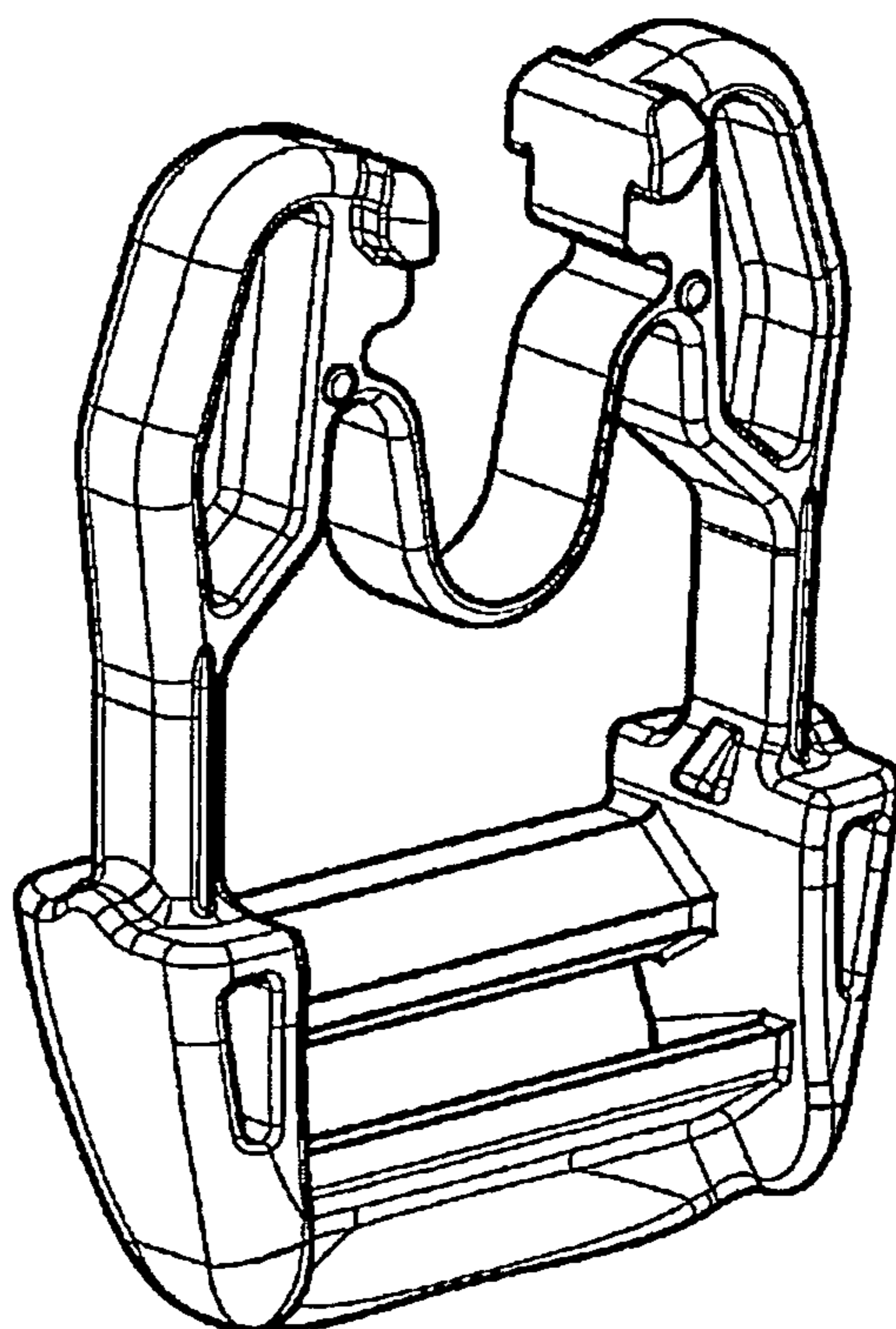


FIG. 11

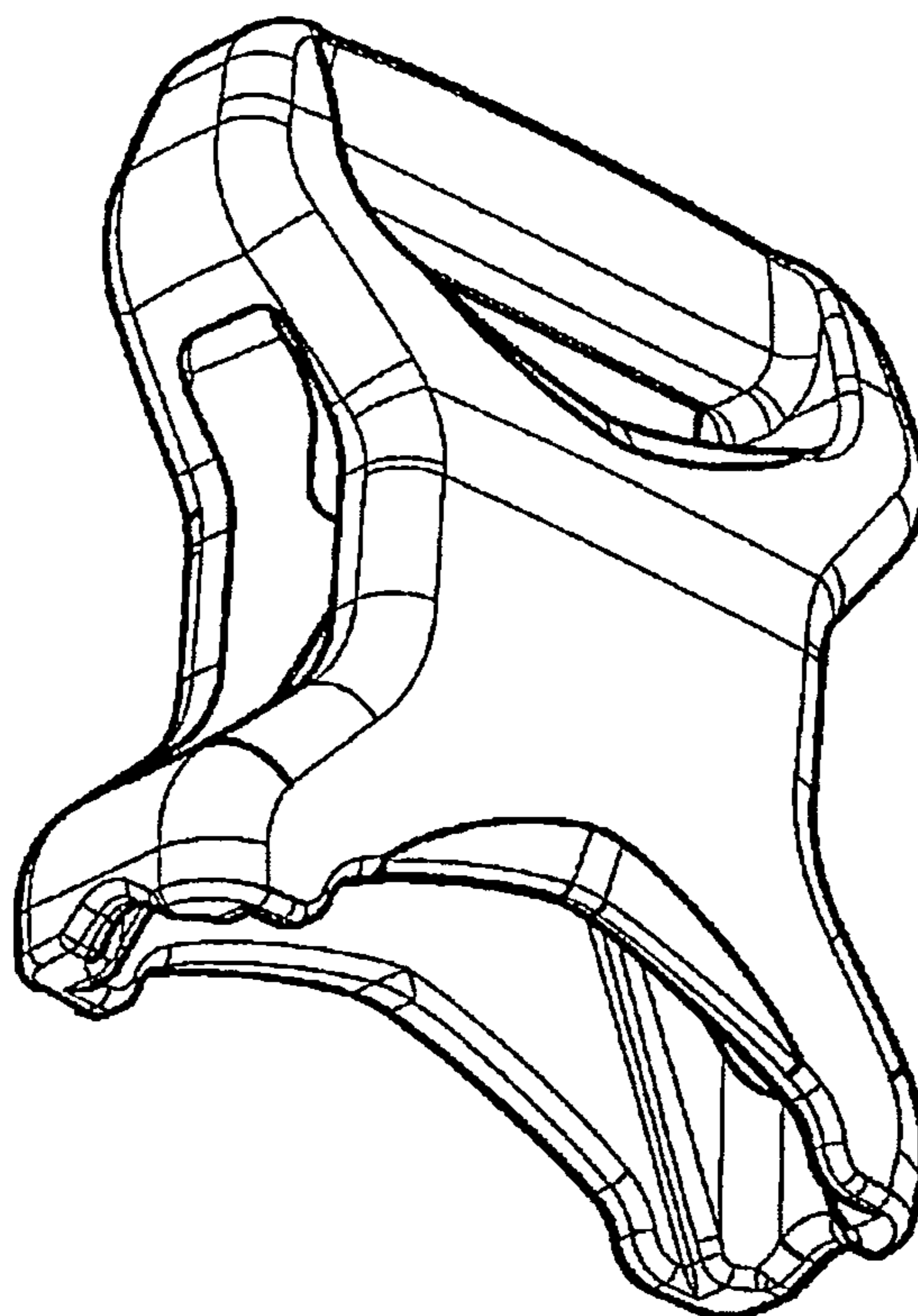


FIG. 12

