



US00D701136S

(12) **United States Design Patent**
Dholakiya

(10) **Patent No.:** **US D701,136 S**
(45) **Date of Patent:** **** Mar. 18, 2014**

(54) **GEMSTONE RING**

(76) Inventor: **Hasmukh Dholakiya**, North Bergen, NJ
(US)

(**) Term: **14 Years**

(21) Appl. No.: **29/420,047**

(22) Filed: **May 3, 2012**

(51) **LOC (10) Cl.** **11-01**

(52) **U.S. Cl.**
USPC **D11/34**

(58) **Field of Classification Search**
USPC D11/3, 26-39, 91, 92; 63/15,
63/15.1-15.4, 15.45, 15.5, 15.6, 15.65,
63/26-28

See application file for complete search history.

(56) **References Cited**

U.S. PATENT DOCUMENTS

D137,409	S	*	3/1944	Granat	D11/34
D300,308	S	*	3/1989	Deain	D11/34
D349,072	S	*	7/1994	Ambar	D11/34
5,727,399	A	*	3/1998	Bergagnini	63/15.4
D472,496	S	*	4/2003	Ambar	D11/34
D508,073	S	*	8/2005	Shah	D11/34
D512,658	S	*	12/2005	Aghjayan et al.	D11/34
D538,700	S	*	3/2007	Stipek	D11/36
D581,308	S	*	11/2008	Fernandez	D11/34
D614,065	S	*	4/2010	Vagal	D11/34
D614,068	S	*	4/2010	Vagal	D11/34
D614,071	S	*	4/2010	Vagal	D11/35
D614,072	S	*	4/2010	Vagal	D11/35
D615,446	S	*	5/2010	Vagal	D11/34
D615,900	S	*	5/2010	Chawla	D11/34
D647,419	S	*	10/2011	Wong	D11/34
D652,340	S	*	1/2012	Kaufmann	D11/34
D653,581	S	*	2/2012	Kaufmann	D11/34
2009/0235689	A1	*	9/2009	Slowinski	63/15

OTHER PUBLICATIONS

[Online] http://s3-media4.ak.yelpcdn.com/bphoto/liSsq2KWkLqlaxU41_SHbw/I.jpg. Retrieved Sep. 5, 2012.*

[Online] http://www.michaelcfina.com/mcfina_images/fluid/customers/c905/18/05/19/CL/AS/02/68/generated/180519CLAS0268_default_1_250x250.jpg. Retrieved Sep. 5, 2012.*

[Online] http://www.michaelcfina.com/mcfina_images/fluid/customers/c905/18/05/19/SI/GN/01/76/generated/180519SIGN0176_default_1_250x250.jpg. Retrieved Sep. 5, 2012.*

* cited by examiner

Primary Examiner — Jennifer Rivard

Assistant Examiner — Melanie Pellegrini

(74) *Attorney, Agent, or Firm* — Jennifer Meredith, Esq.;
Meredith & Keyhani, PLLC

(57) **CLAIM**

The ornamental design for a gemstone ring, as shown and described.

DESCRIPTION

FIG. 1 is a front elevational view of a gemstone ring showing my new design;

FIG. 2 is a side elevational view thereof;

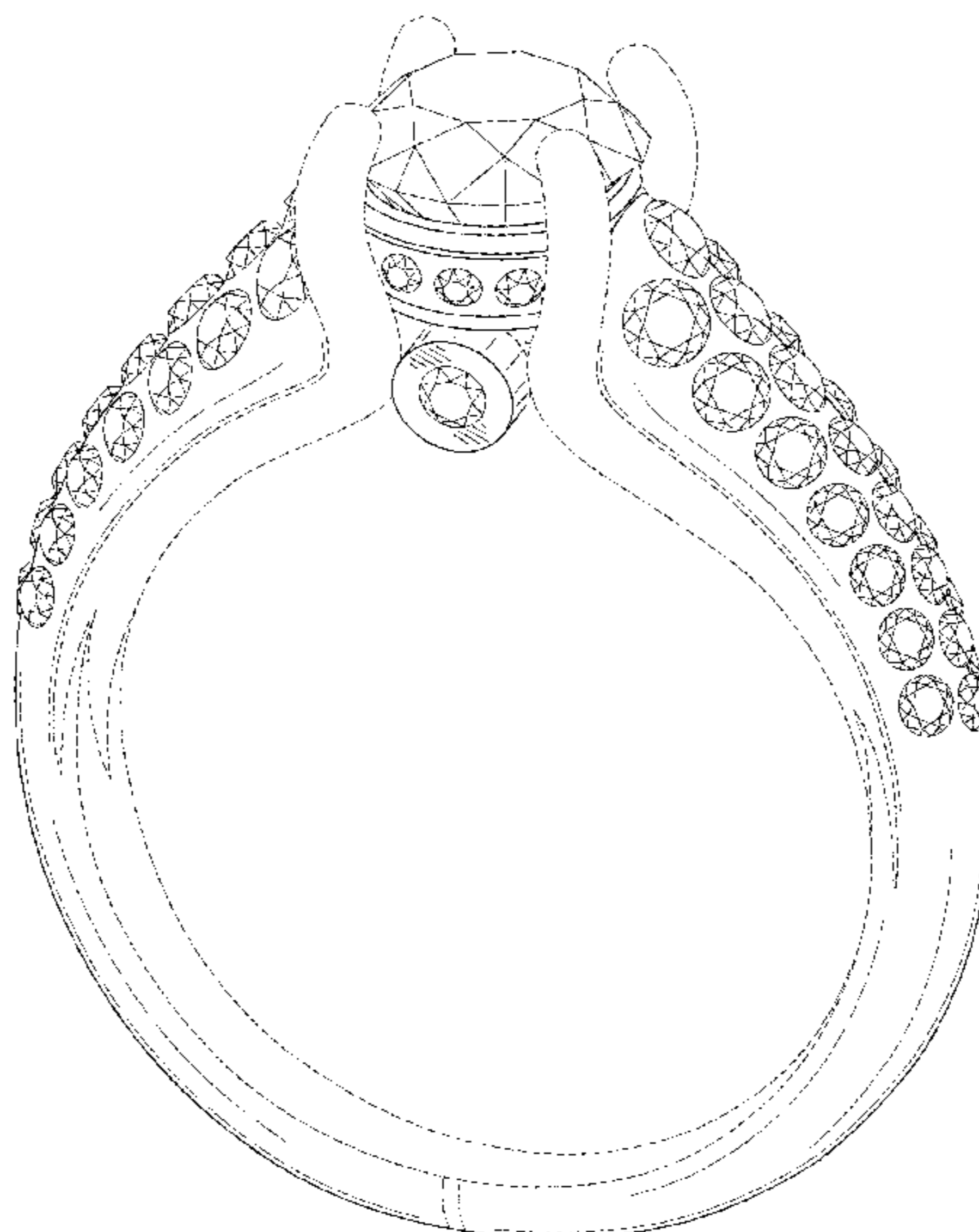
FIG. 3 is a top plan view thereof;

FIG. 4 is a bottom plan view thereof; and,

FIG. 5 is a front perspective view thereof.

The broken lines immediately adjacent the shading lines illustrate the bounds of the claim. The remaining broken lines illustrate portions of the gemstone ring. None of the broken lines forms part of the claimed design.

1 Claim, 4 Drawing Sheets



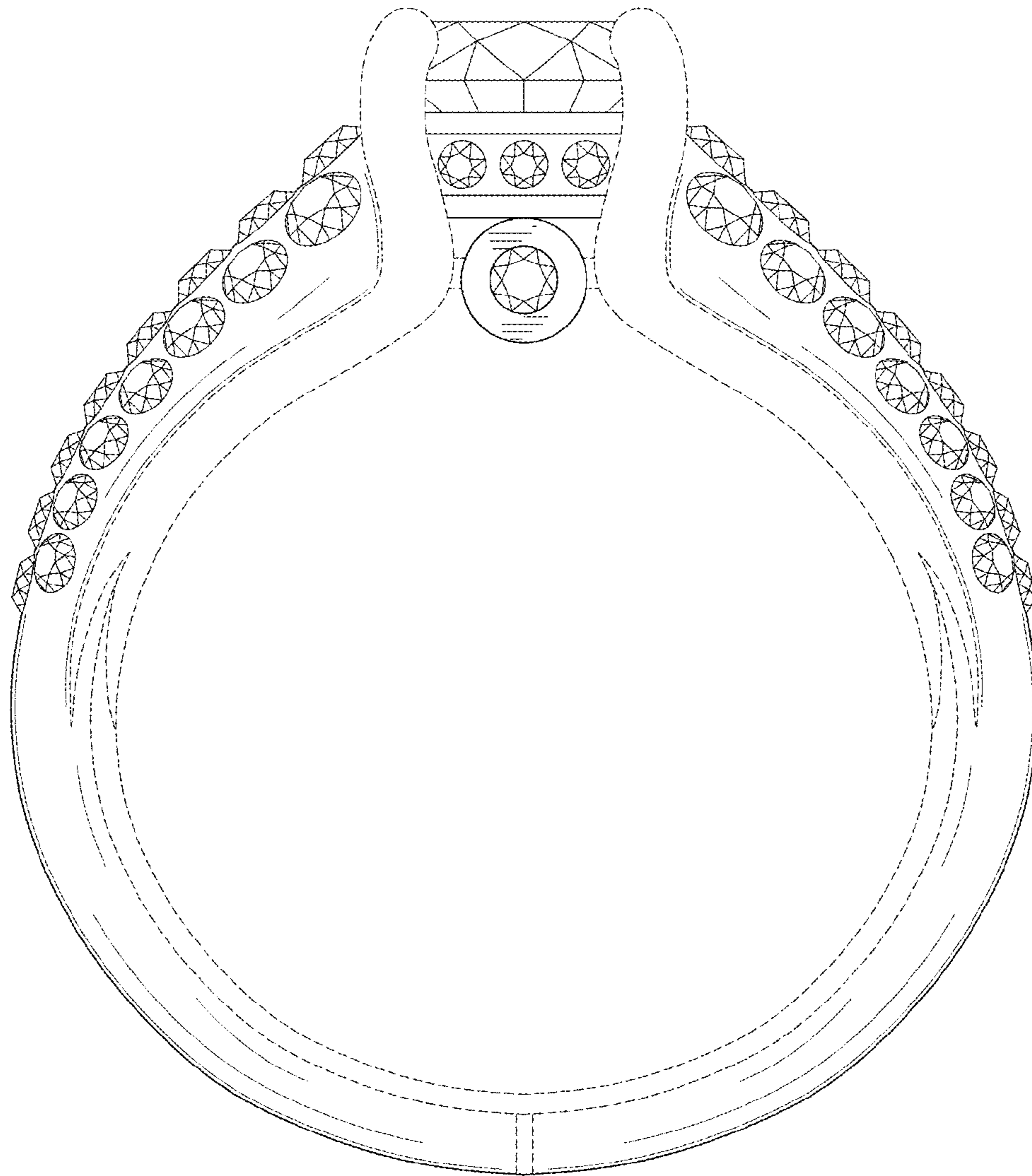


FIG. 1

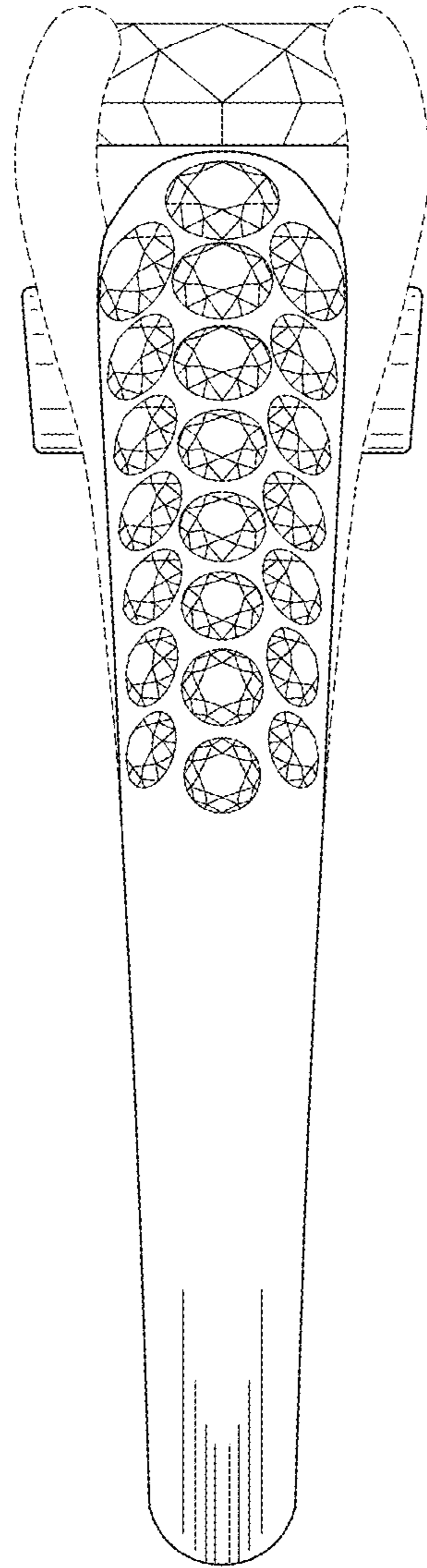


FIG. 2

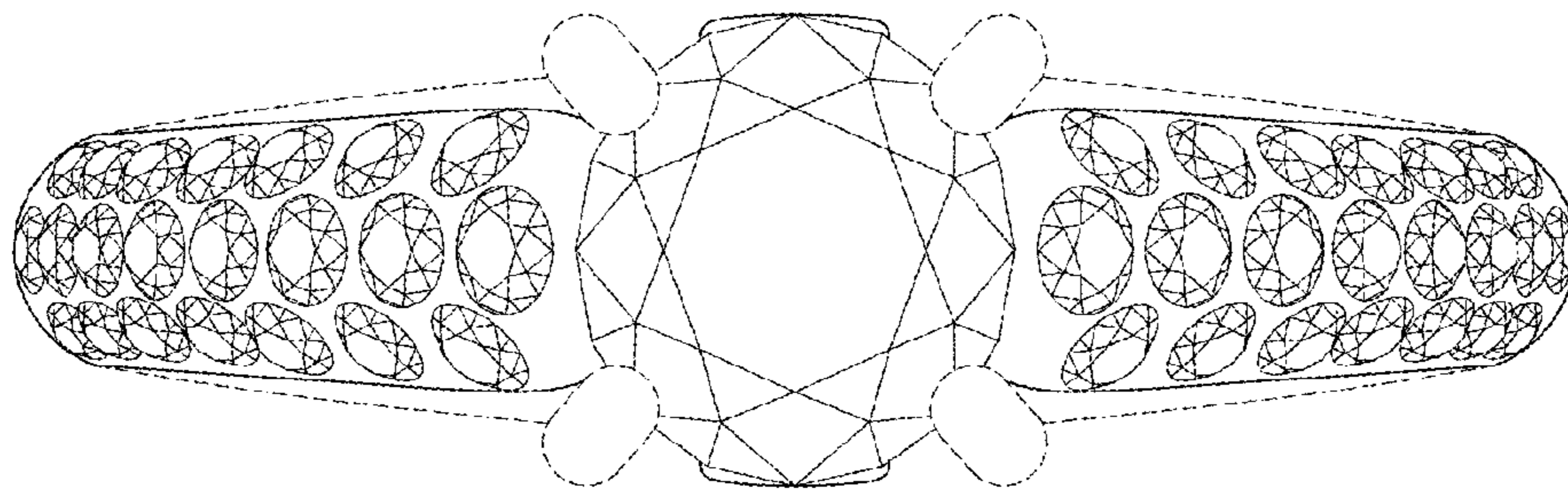


FIG. 3

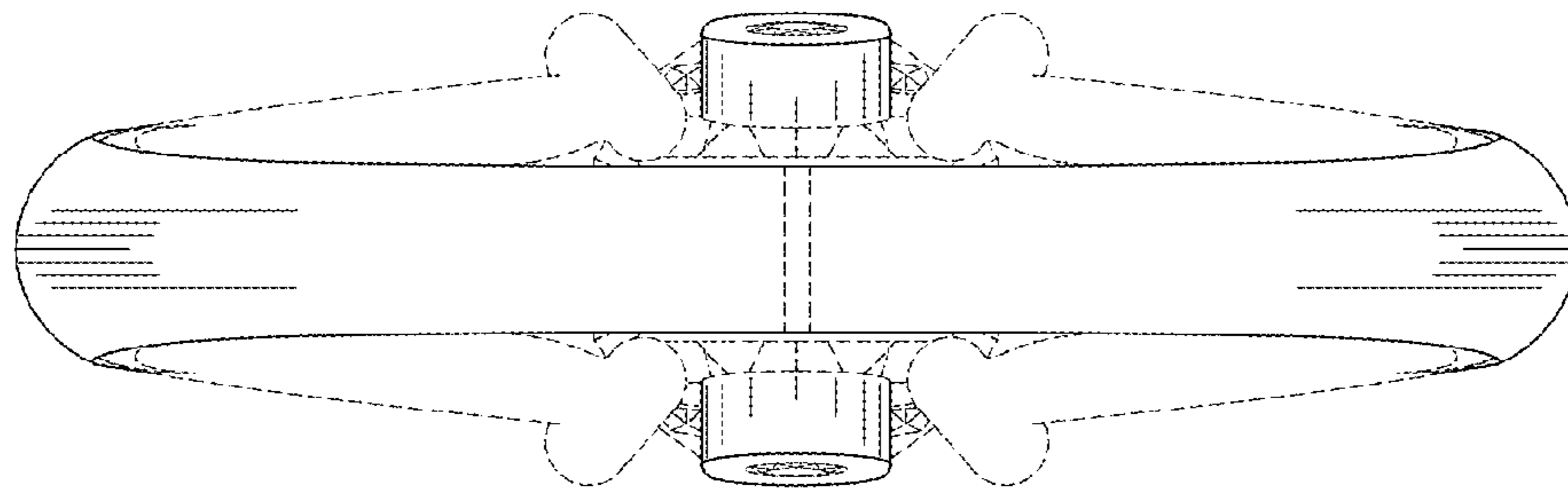


FIG. 4

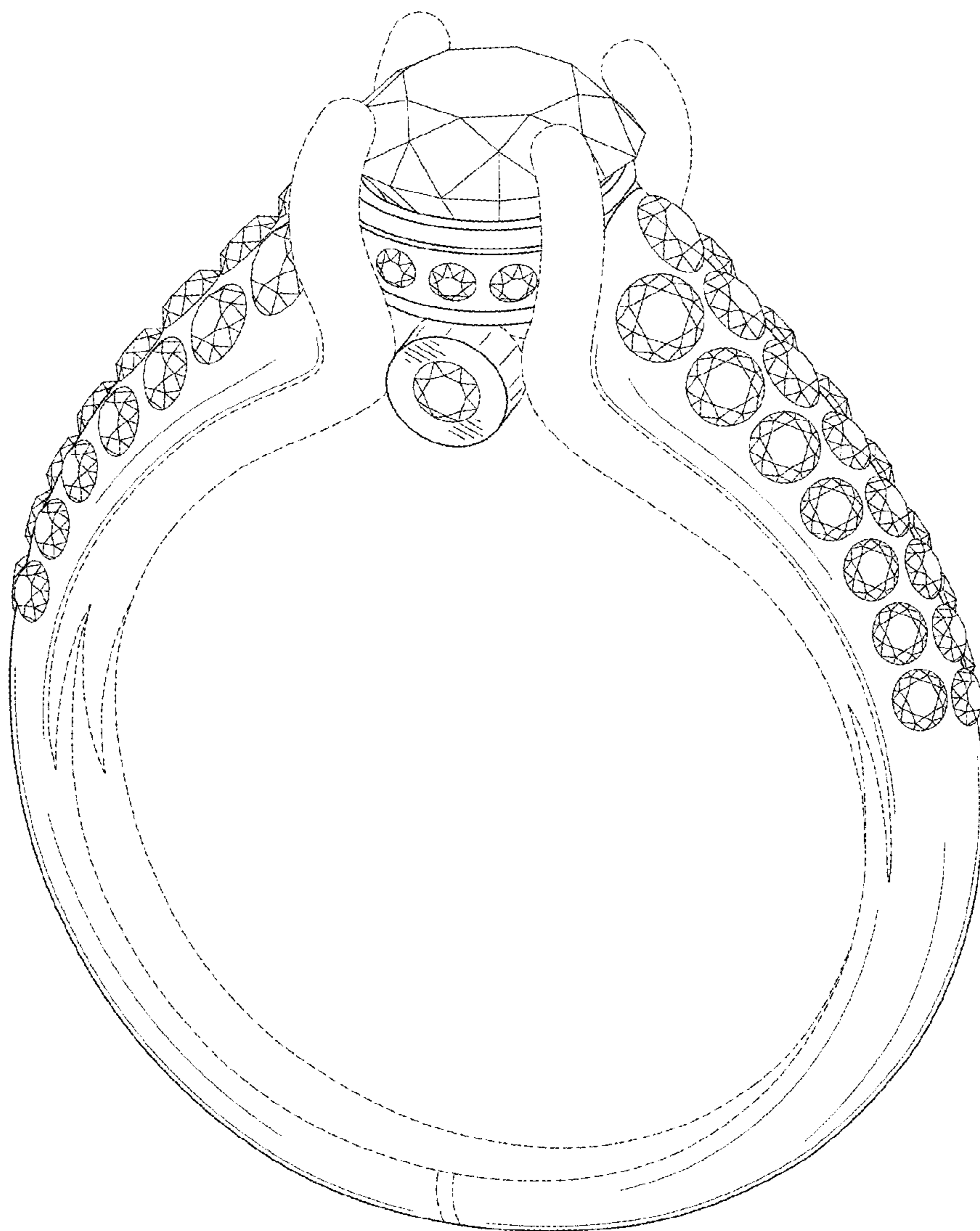


FIG. 5