



US00D701135S

(12) **United States Design Patent**  
**Penner**

(10) **Patent No.:** **US D701,135 S**  
(45) **Date of Patent:** **\*\* Mar. 18, 2014**

- (54) **RING**
- (71) Applicant: **Jerry D. Penner**, New Hamburg (CA)
- (72) Inventor: **Jerry D. Penner**, New Hamburg (CA)
- (\*\*) Term: **14 Years**
- (21) Appl. No.: **29/446,946**
- (22) Filed: **Feb. 28, 2013**
- (51) **LOC (10) Cl.** ..... **11-01**
- (52) **U.S. Cl.**  
USPC ..... **D11/27**
- (58) **Field of Classification Search**  
USPC ..... D11/26-39, 3-25; 63/1.11, 3, 3.1, 3.2,  
63/15, 15.1-15.4, 15.45, 15.5, 15.6,  
63/26-29, 40; D32/46; 30/298; D19/158  
See application file for complete search history.

- D314,727 S \* 2/1991 Samaras ..... D11/27
- 5,036,589 A \* 8/1991 Heinrich ..... 30/298
- D418,494 S \* 1/2000 Robb ..... D14/411
- D441,502 S \* 5/2001 Washington ..... D28/56
- D454,765 S \* 3/2002 Jansson ..... D11/26
- D488,588 S \* 4/2004 Murphy ..... D29/114
- D576,909 S \* 9/2008 McKeever et al. .... D11/26
- 2010/0037414 A1 \* 2/2010 Dimos ..... 30/298

\* cited by examiner

*Primary Examiner* — Garth Rademaker  
*Assistant Examiner* — Melanie Pellegrini  
(74) *Attorney, Agent, or Firm* — Bereskin & Parr  
LLP/S.E.N.C.R.L., s.r.l.

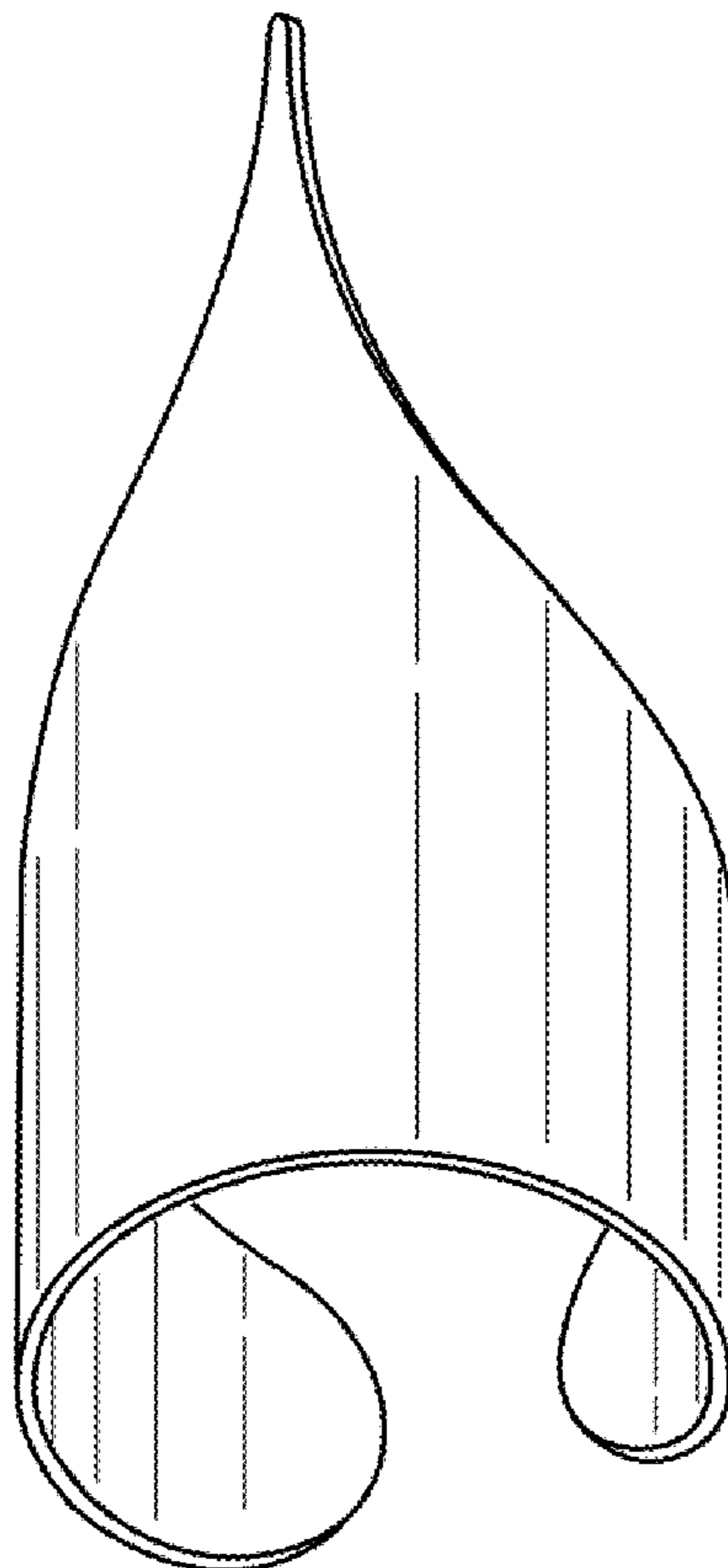
(57) **CLAIM**  
The ornamental design for a ring, as shown.

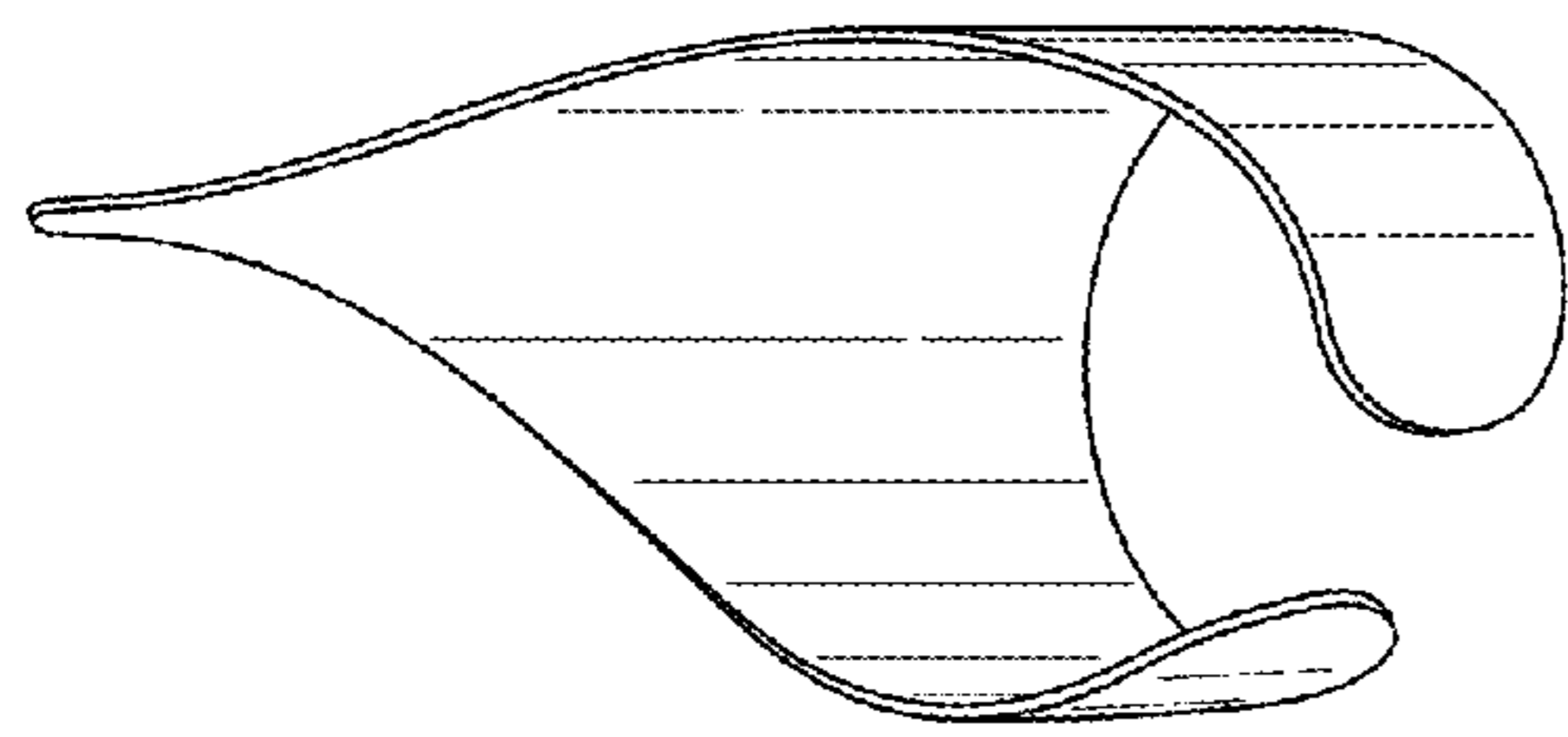
**DESCRIPTION**

FIG. 1 is a top and rear perspective view of a ring showing my new design;  
FIG. 2 is a bottom and front perspective view thereof;  
FIG. 3 is a left side view thereof;  
FIG. 4 is a rear elevational view thereof;  
FIG. 5 is a right side view thereof;  
FIG. 6 is a front elevational view thereof;  
FIG. 7 is a top plan view thereof; and,  
FIG. 8 is a bottom plan view thereof.

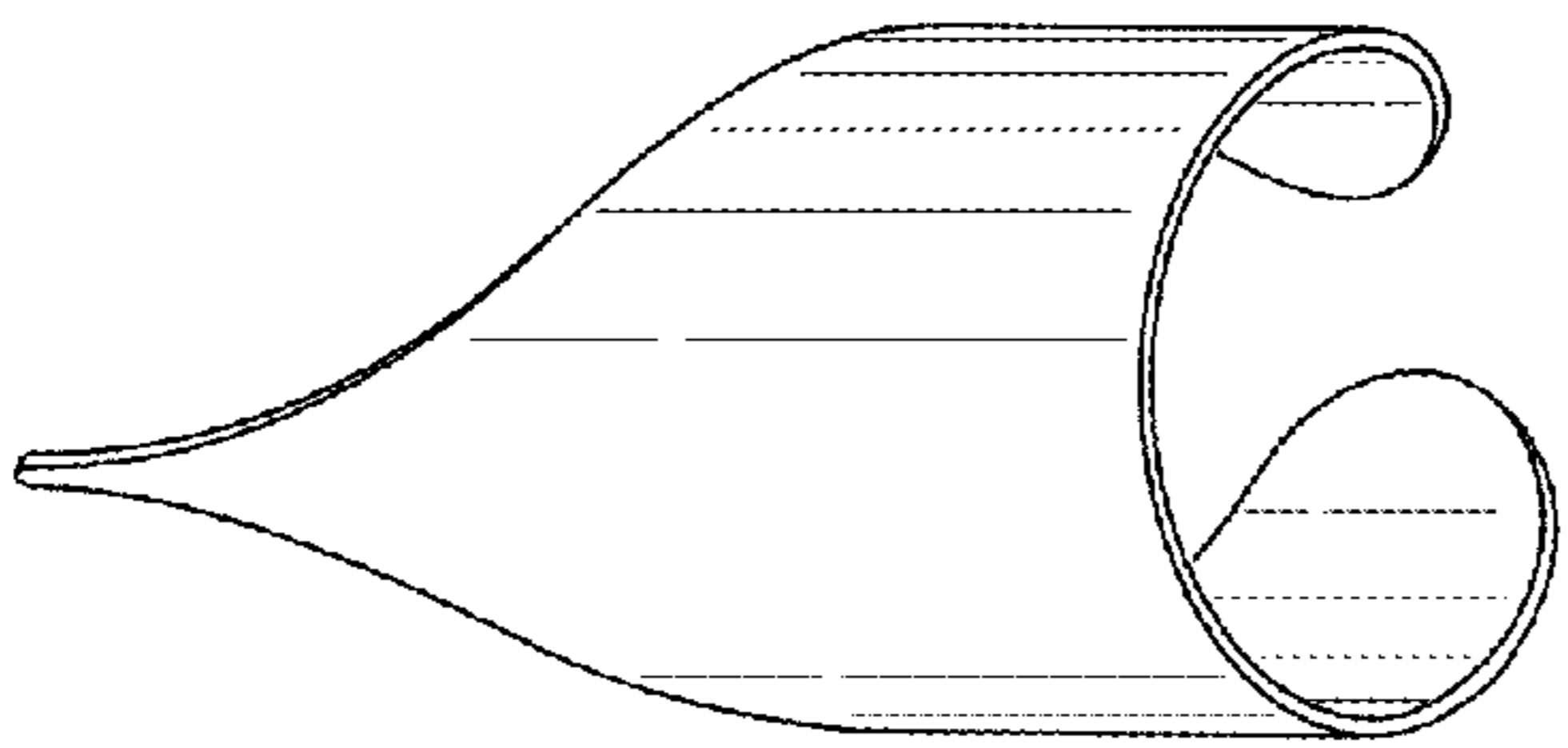
**1 Claim, 1 Drawing Sheet**

- (56) **References Cited**  
U.S. PATENT DOCUMENTS  
471,221 A \* 3/1892 Moores ..... D11/27  
1,519,816 A \* 12/1924 Ward ..... 30/298  
D212,981 S \* 12/1968 Laybourne ..... D19/41  
D253,416 S \* 11/1979 MacIntosh ..... D19/41  
D271,530 S \* 11/1983 Watt ..... D11/2  
D282,916 S \* 3/1986 Schellmann ..... D11/32

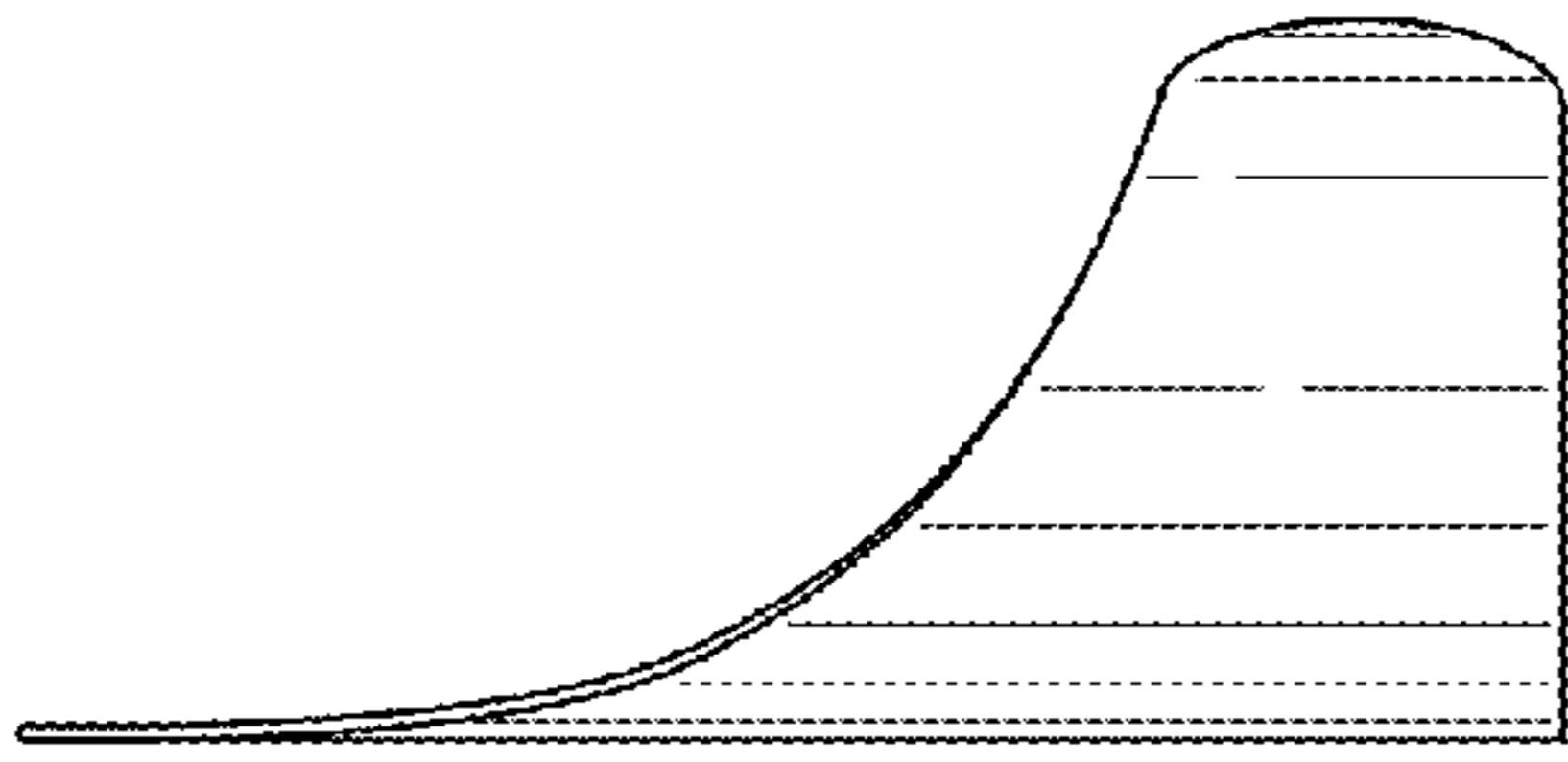




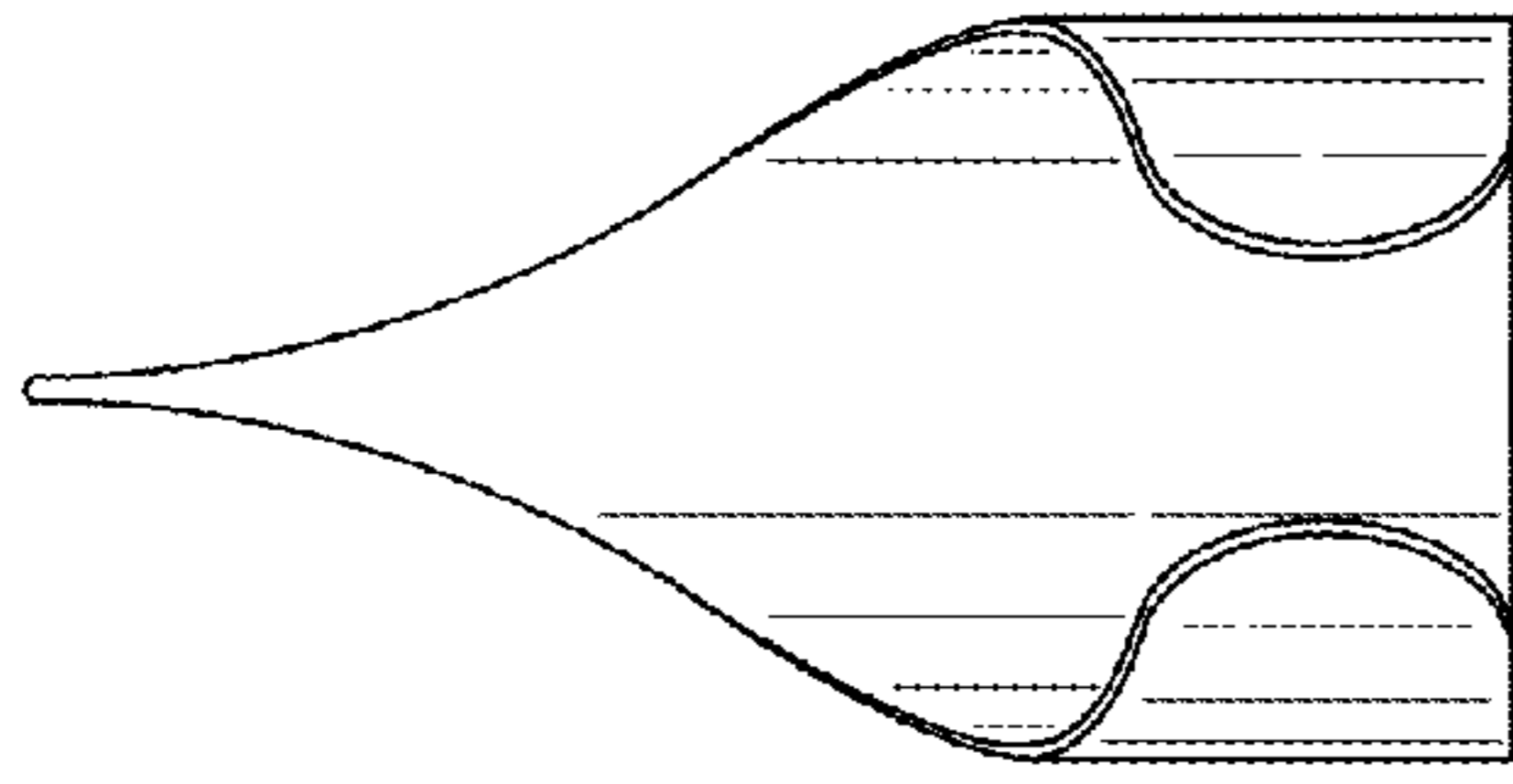
**FIG. 1**



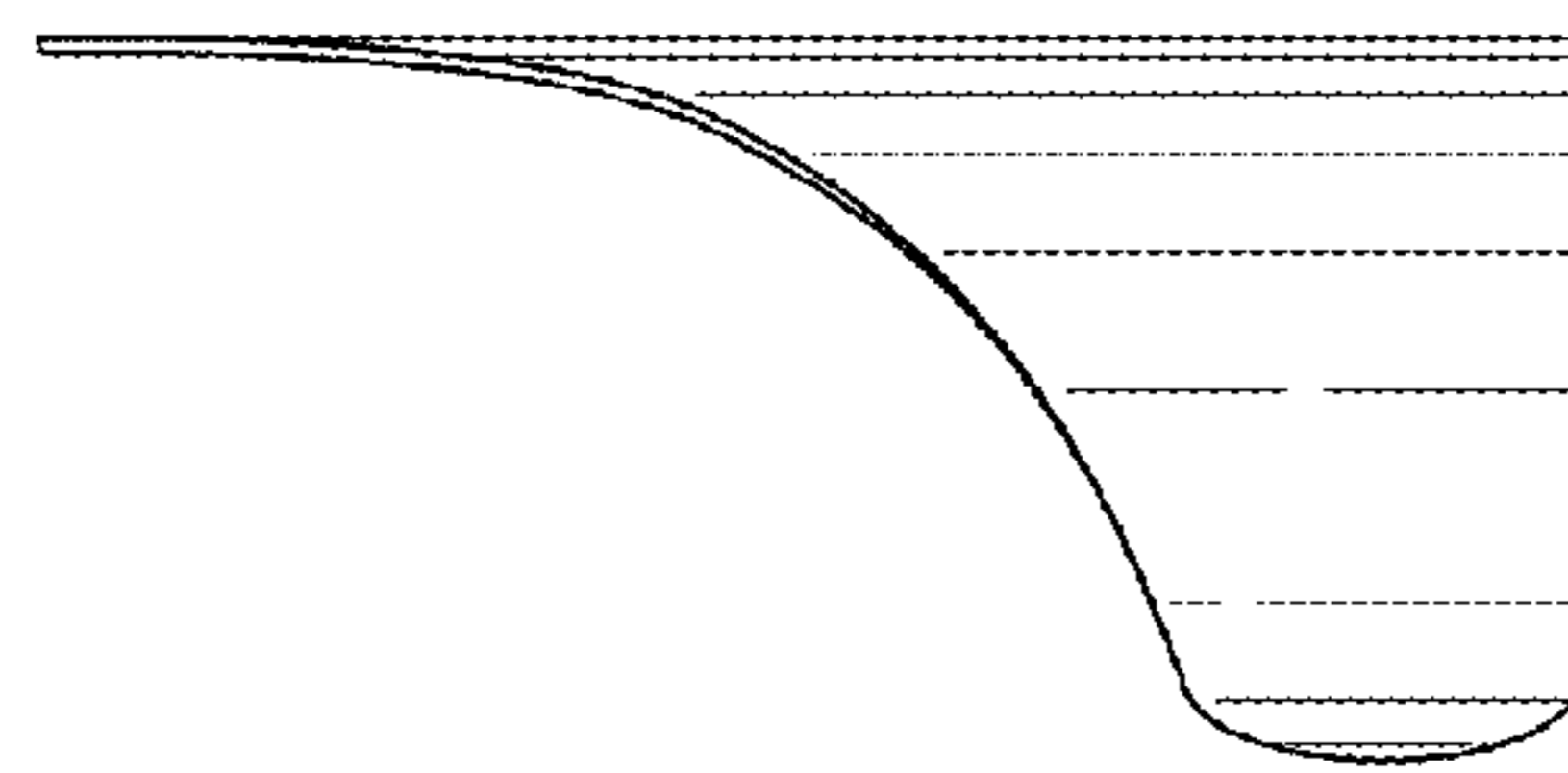
**FIG. 2**



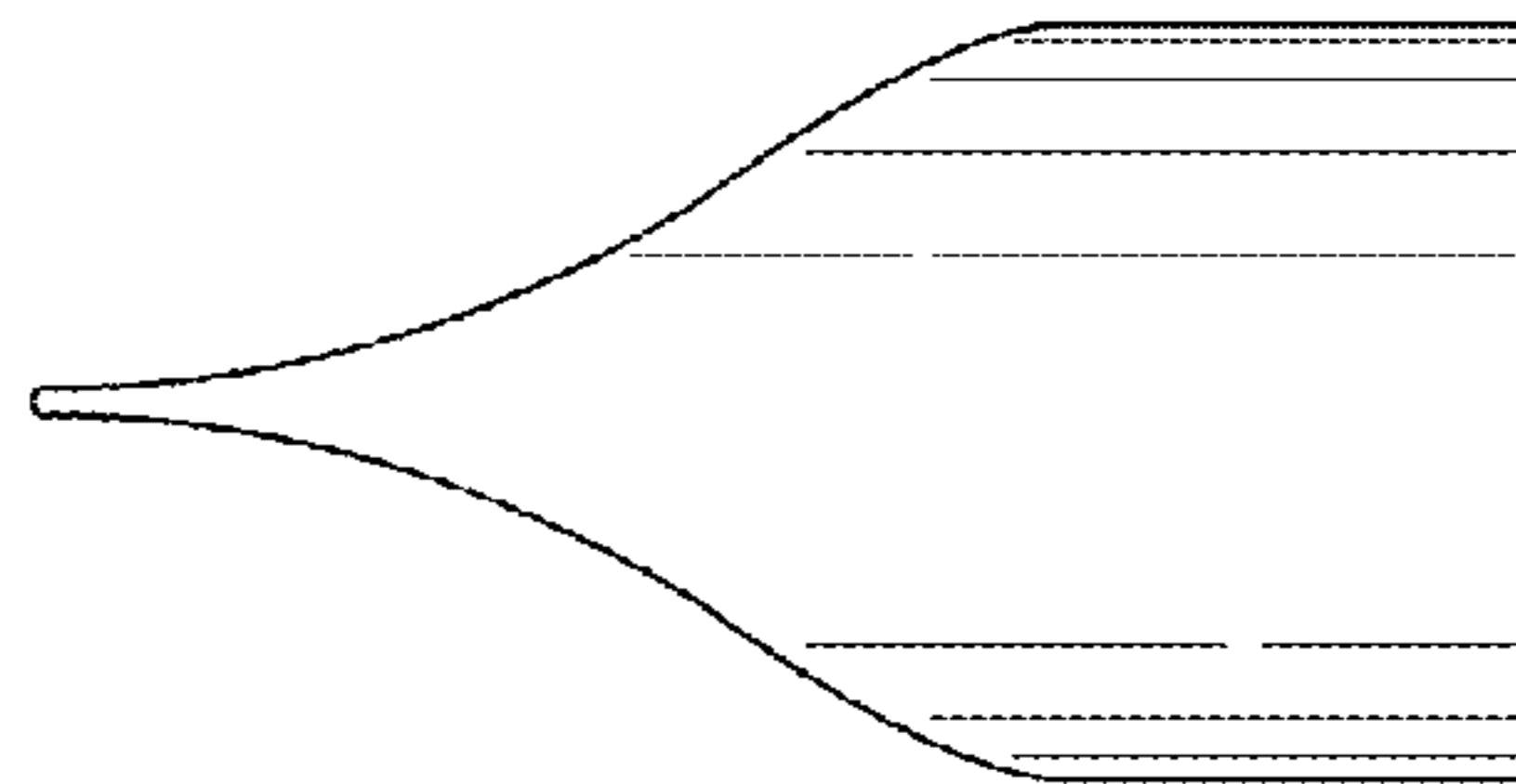
**FIG. 3**



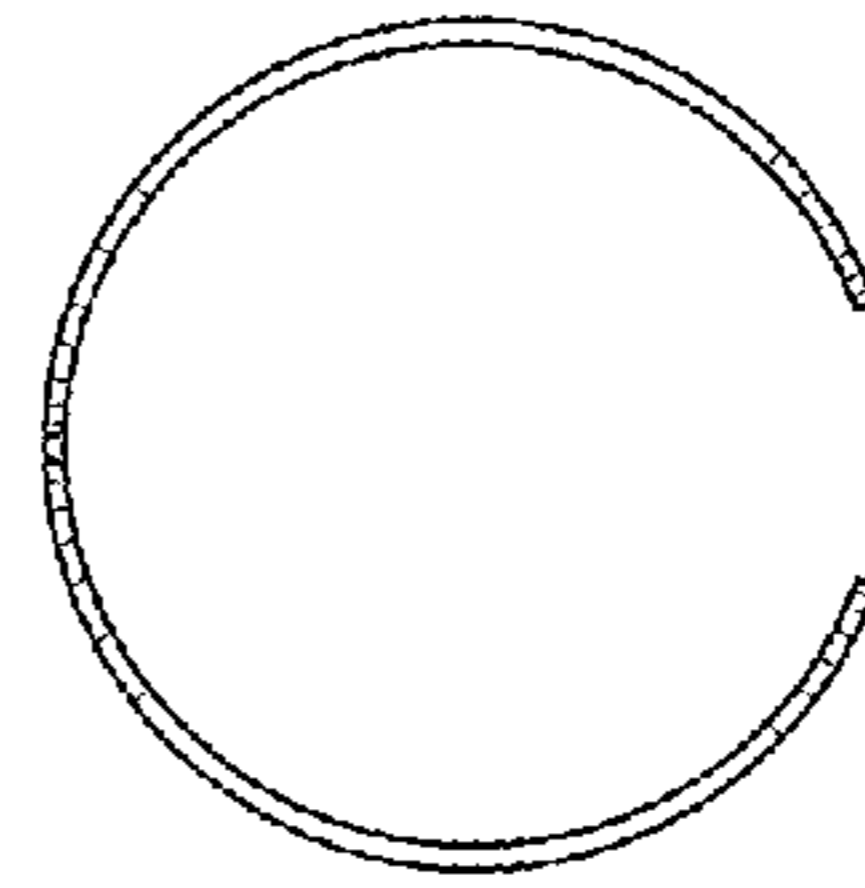
**FIG. 4**



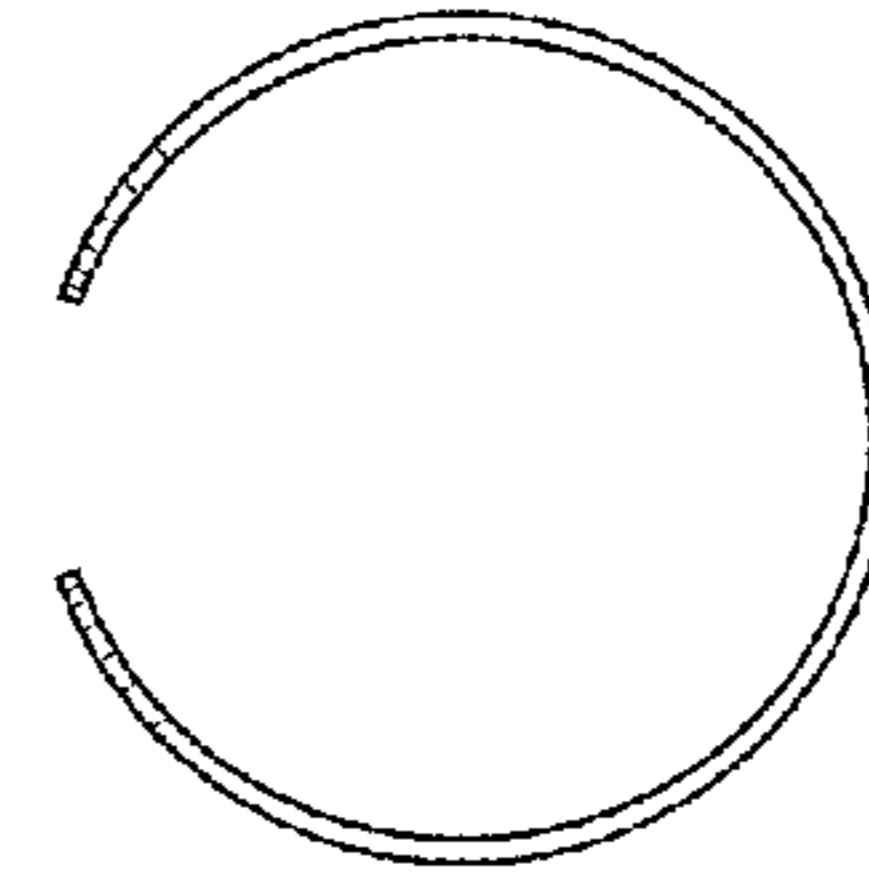
**FIG. 5**



**FIG. 6**



**FIG. 7**



**FIG. 8**