

US00D701131S

(12) **United States Design Patent**
Kurisaki

(10) **Patent No.:** **US D701,131 S**
(45) **Date of Patent:** **** Mar. 18, 2014**

(54) **PRESSURE DETECTION SWITCH**

(71) Applicant: **Shogo Kurisaki**, Tsukubamirai (JP)
(72) Inventor: **Shogo Kurisaki**, Tsukubamirai (JP)
(73) Assignee: **SMC Corporation**, Chiyoda-ku, Tokyo (JP)

(**) Term: **14 Years**
(21) Appl. No.: **29/441,938**

(22) Filed: **Jan. 10, 2013**

(30) **Foreign Application Priority Data**

Sep. 25, 2012 (JP) 2012-023160

(51) **LOC (10) Cl.** **10-04**

(52) **U.S. Cl.**
USPC **D10/85**; D10/96

(58) **Field of Classification Search**
USPC D10/83-85, 96; 73/1.57-1.73, 19.05,
73/23.27-23.29, 28.03, 29.03,
73/30.01-30.04, 31.04, 35.12, 35.13,
73/37-49.8, 54.06, 54.09, 54.16, 61.47,
73/61.67, 61.78, 64.45-64.47, 64.51,
73/152.22, 152.27, 152.51, 152.52, 199,
73/861.42-861.51, 514.11, 700-753;
200/82 A, 82 C, 82 D, 83 P, 83 N, 83 R,
200/83 Q, 83 W, 832, 835, 83 E, 83 J, 306

See application file for complete search history.

(56) **References Cited**

U.S. PATENT DOCUMENTS

D455,362 S * 4/2002 Okuyama et al. D10/96
D456,290 S * 4/2002 Gunji et al. D10/85
D487,729 S * 3/2004 Okuyama et al. D13/171

* cited by examiner

Primary Examiner — Antoine D Davis

(74) *Attorney, Agent, or Firm* — Yokoi & Co., U.S.A., Inc.;
Toshiyuki Yokoi

(57) **CLAIM**

The ornamental design for a pressure detection switch, as shown and described.

DESCRIPTION

FIG. 1 shows a front view of a pressure detection switch showing my new design;
FIG. 2 shows a rear view thereof;
FIG. 3 shows a right side view thereof;
FIG. 4 shows a left side view thereof;
FIG. 5 shows a top view thereof;
FIG. 6 shows a bottom view thereof;
FIG. 7 shows a bottom, front and left side perspective view thereof; and,
FIG. 8 shows a bottom, rear and right side perspective view thereof.

1 Claim, 5 Drawing Sheets

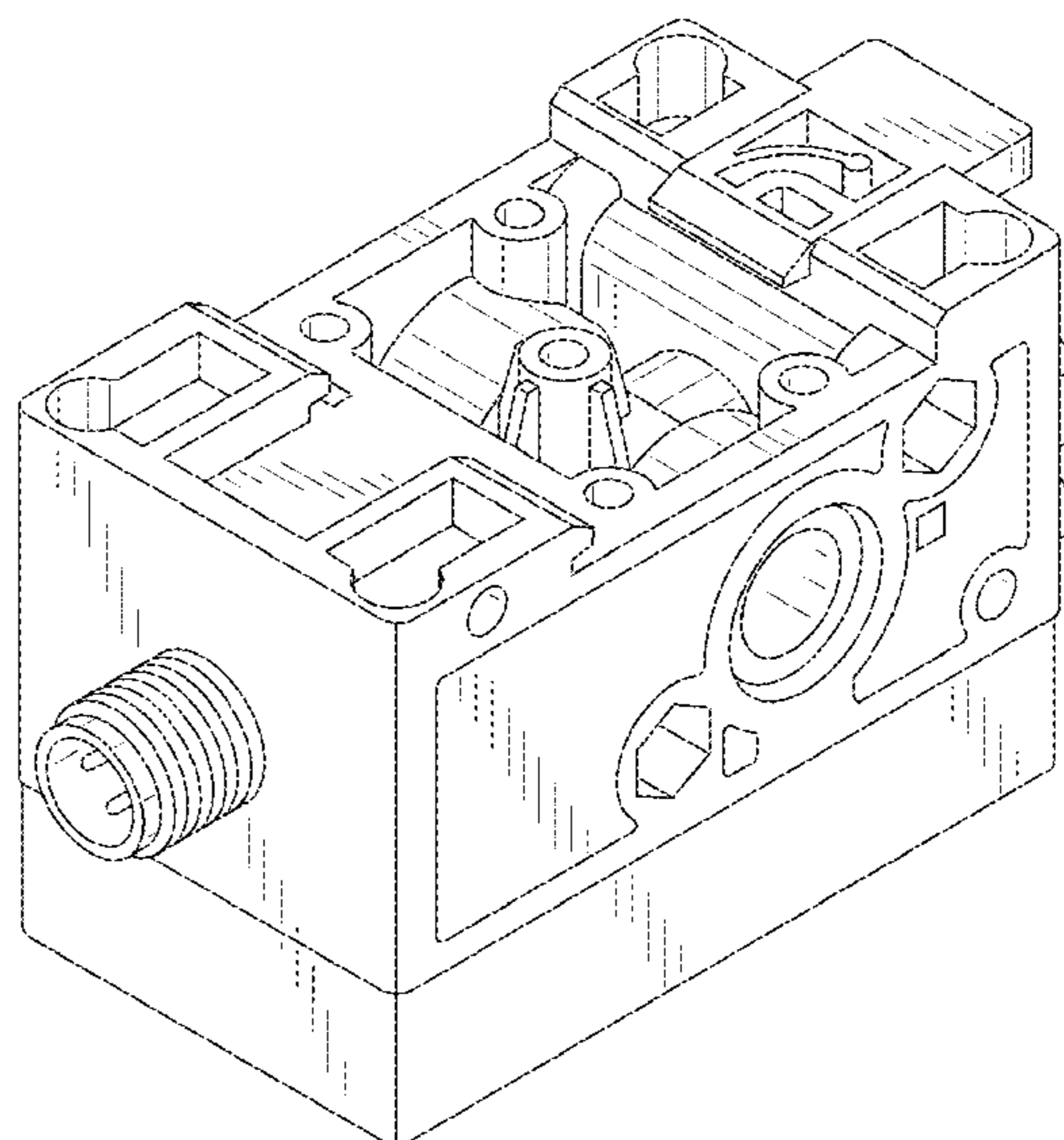
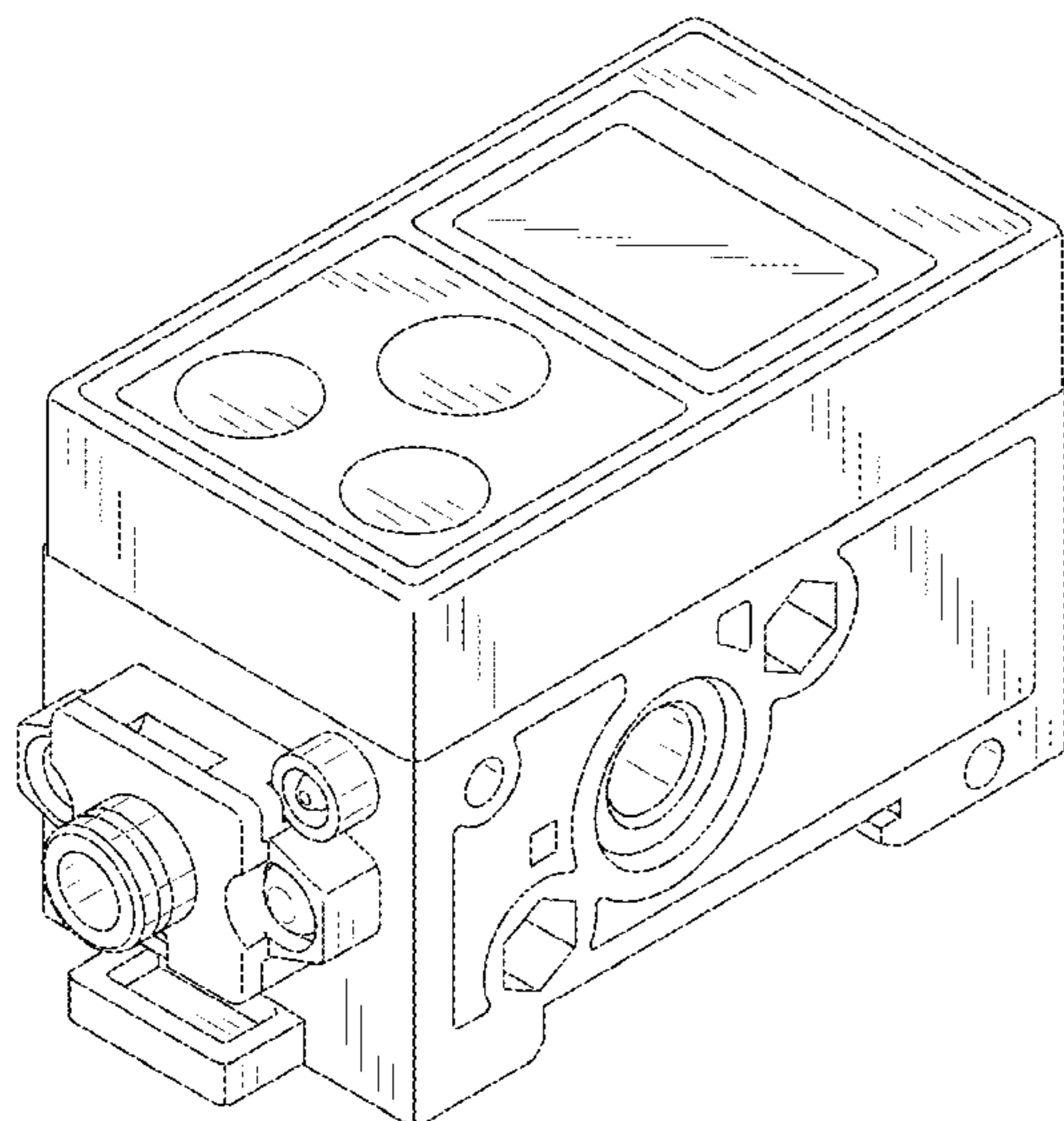


FIG. 1

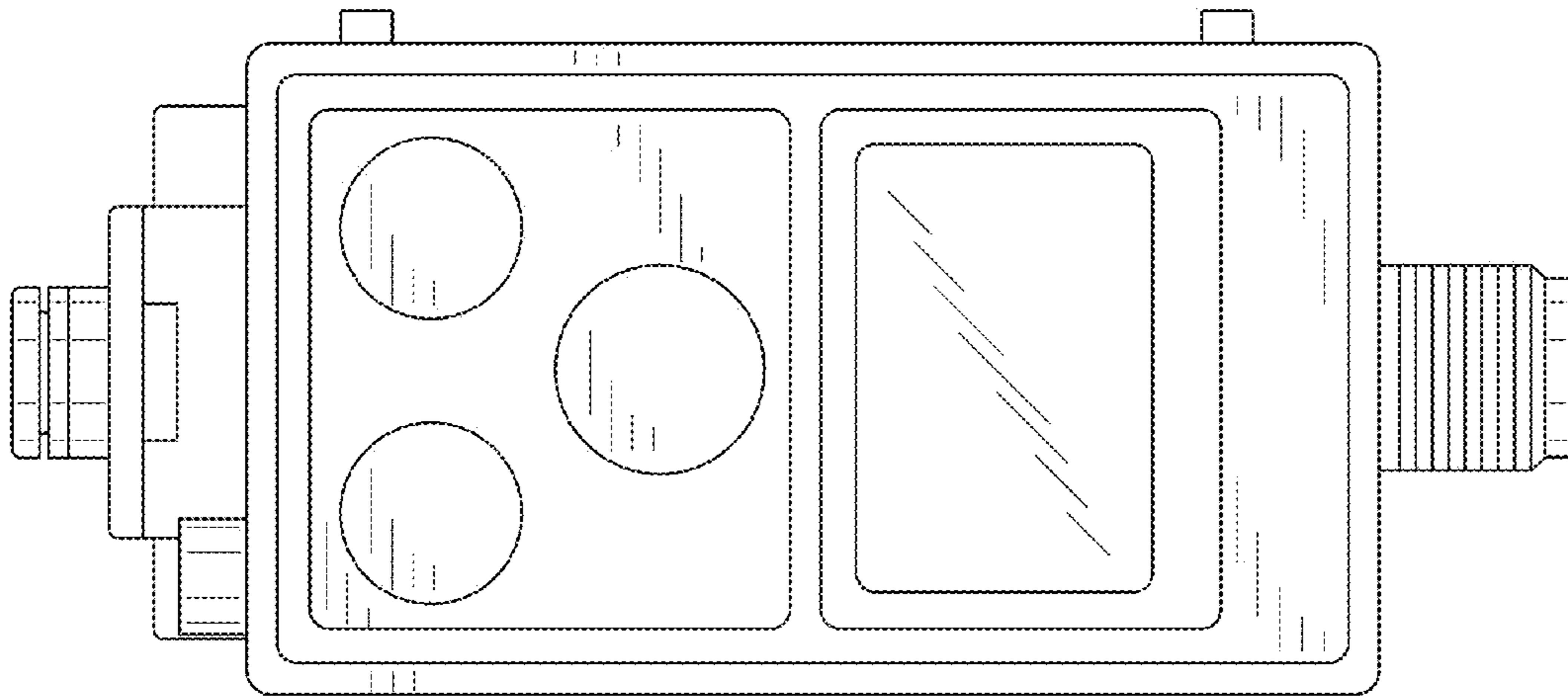


FIG. 2

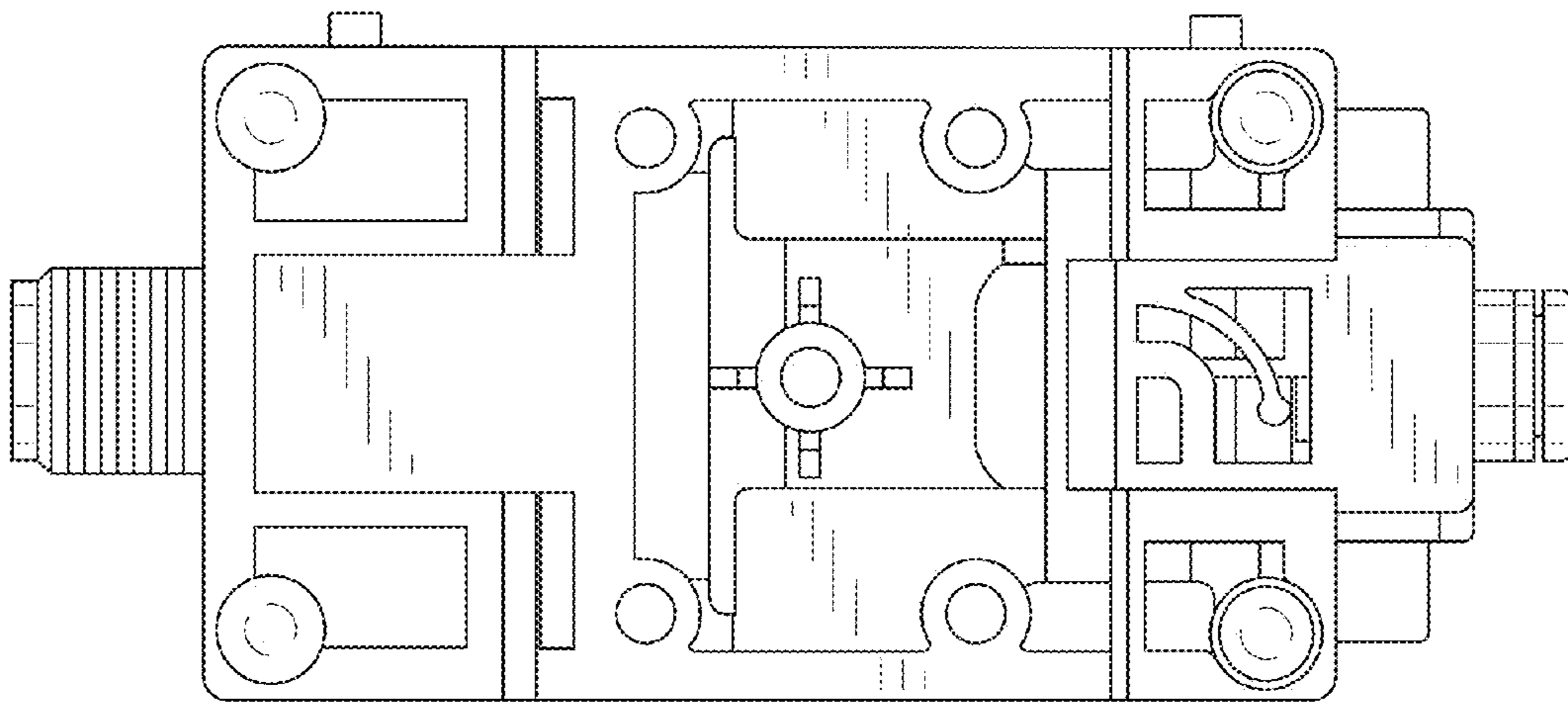


FIG. 3

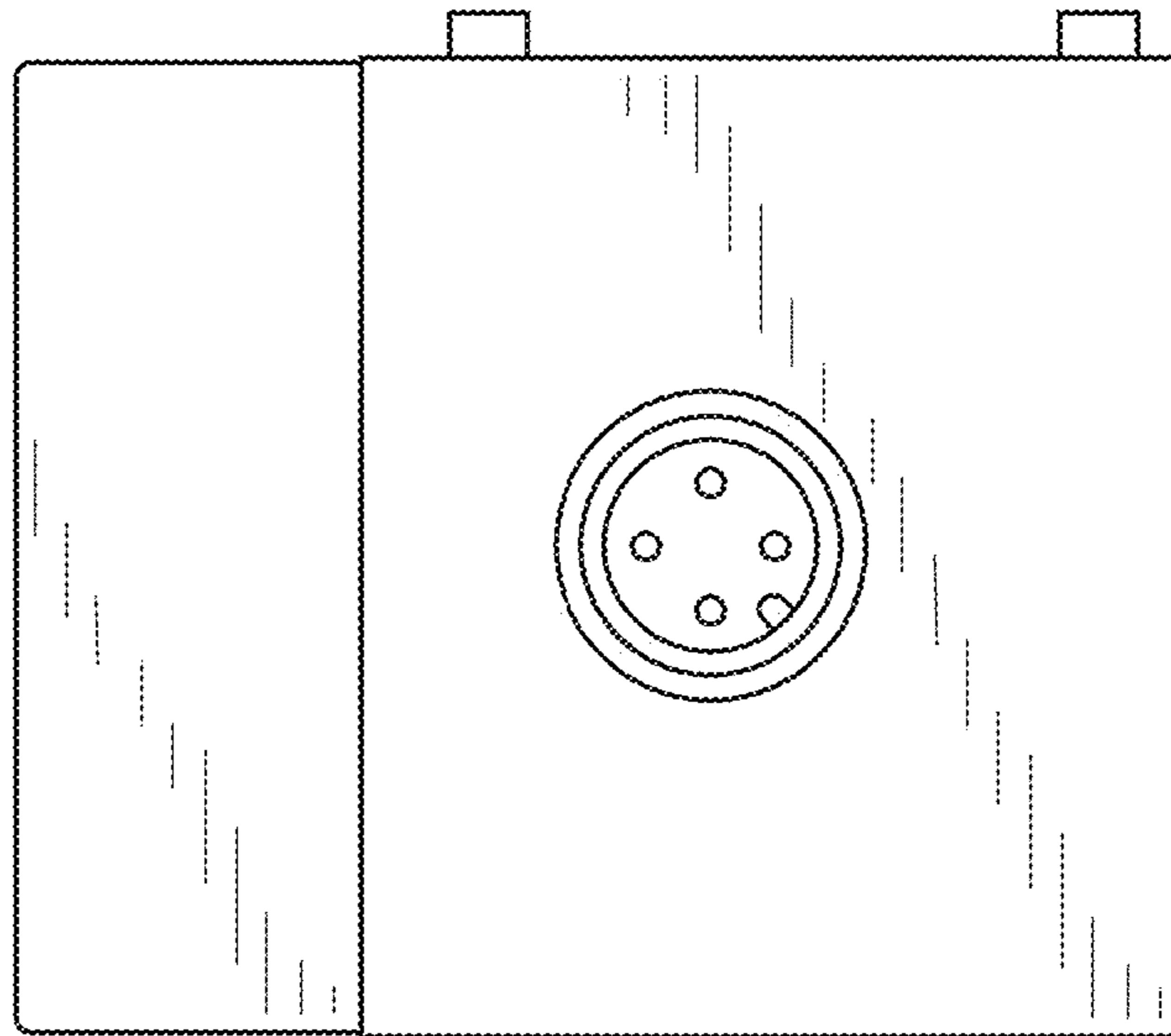


FIG. 4

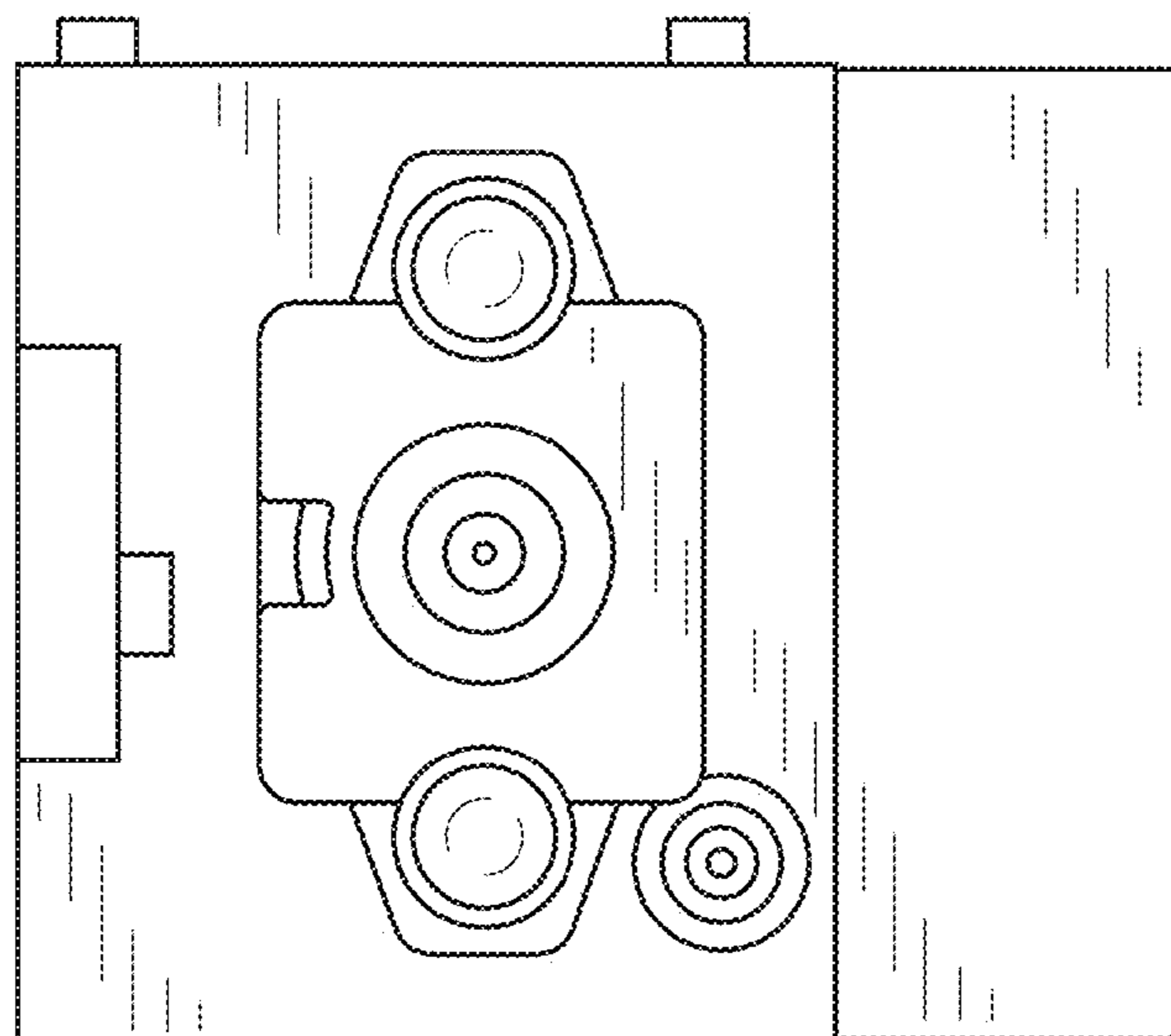


FIG. 5

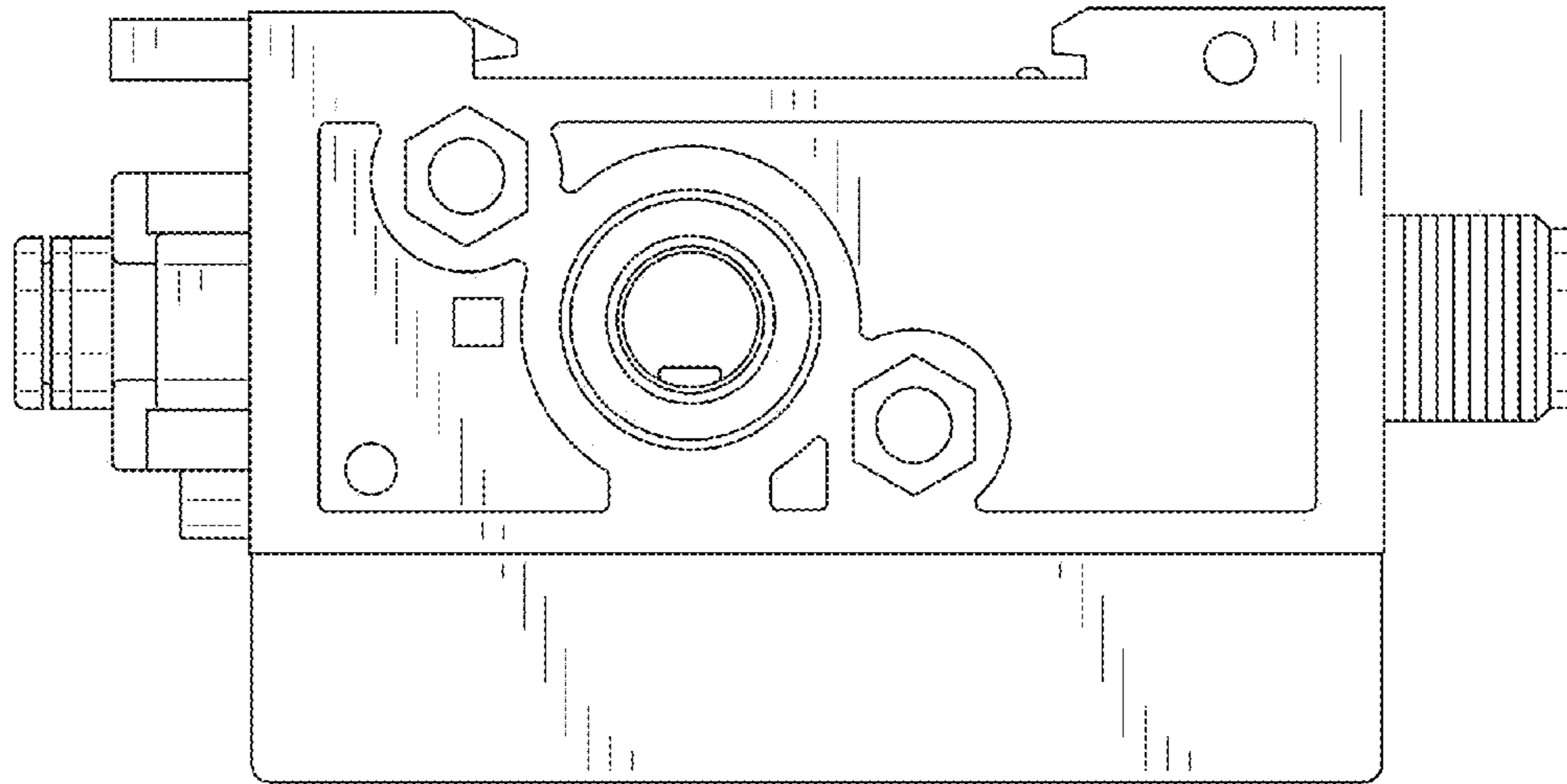


FIG. 6

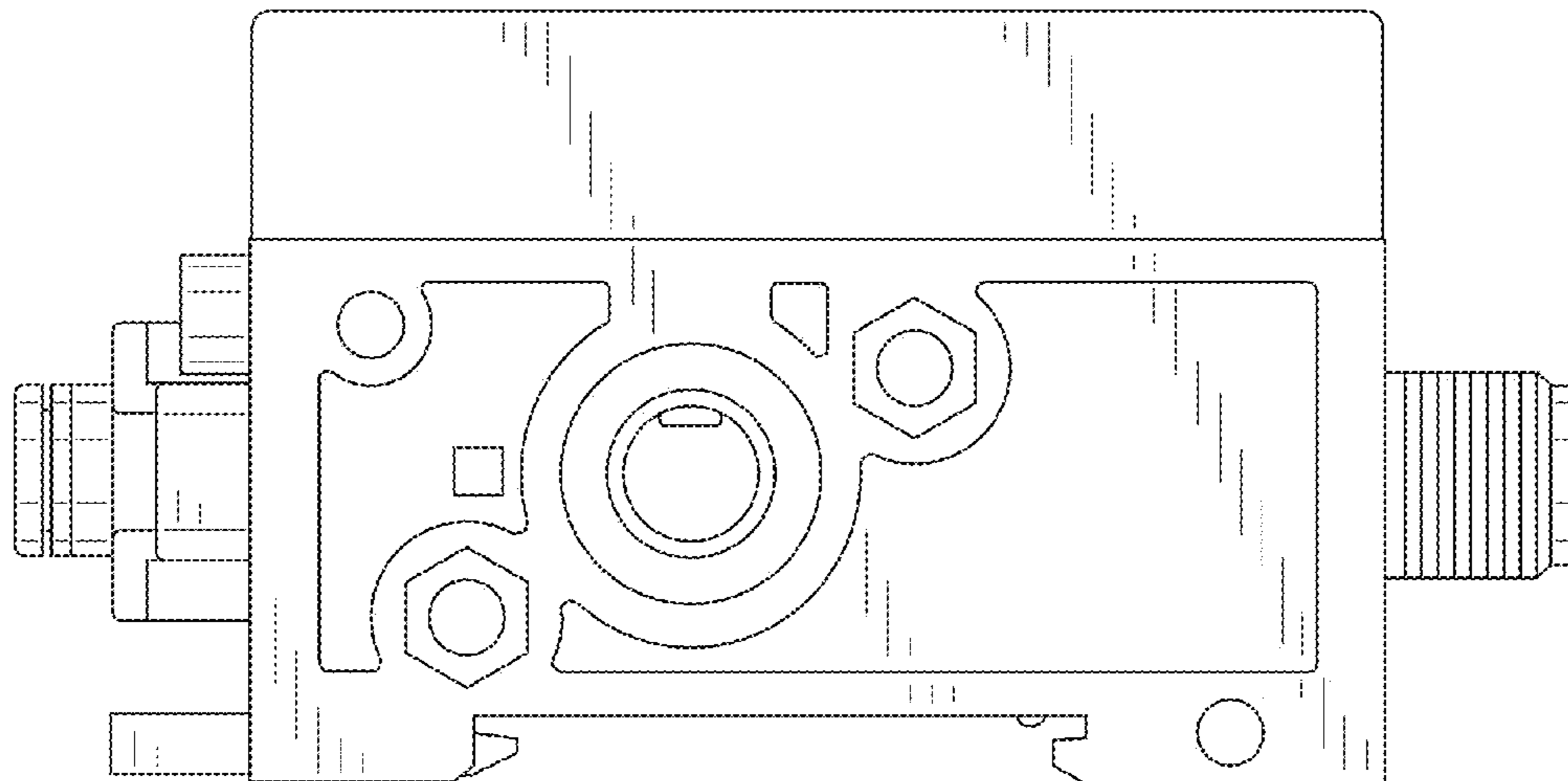


FIG. 7

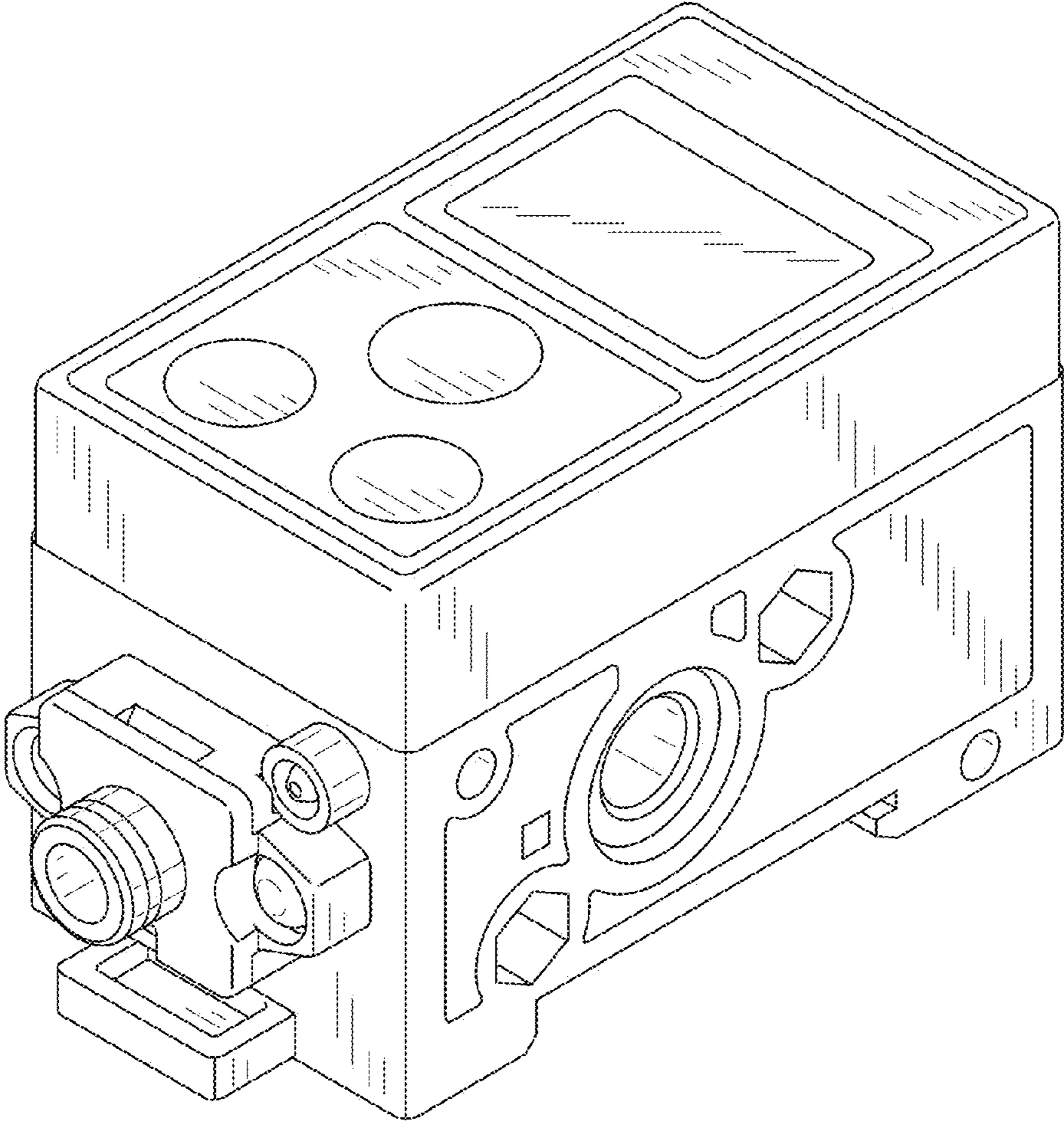


FIG. 8

