



US00D701130S

(12) **United States Design Patent**
Laurino et al.

(10) **Patent No.:** **US D701,130 S**
(45) **Date of Patent:** **** Mar. 18, 2014**

(54) **PORTABLE BEARING CHECKER**
(71) Applicant: **Fluke Corporation**, Everett, WA (US)
(72) Inventors: **Ferdinand Y. Laurino**, Seattle, WA (US); **Paul A. Richer**, Everett, WA (US)
(73) Assignee: **Fluke Corporation**, Everett, WA (US)
(**) Term: **14 Years**
(21) Appl. No.: **29/455,097**
(22) Filed: **May 16, 2013**

Related U.S. Application Data

(62) Division of application No. 29/404,562, filed on Oct. 21, 2011, now Pat. No. Des. 684,876.
(51) **LOC (10) Cl.** **10-04**
(52) **U.S. Cl.**
USPC **D10/78**
(58) **Field of Classification Search**
USPC D10/78; 73/660, 658, 659, 661, 593,
73/646, 647; 340/683, 635, 687; 324/72.5,
324/556, 133, 149, 503, 543, 555, 66, 72,
324/754, 115, 141
See application file for complete search history.

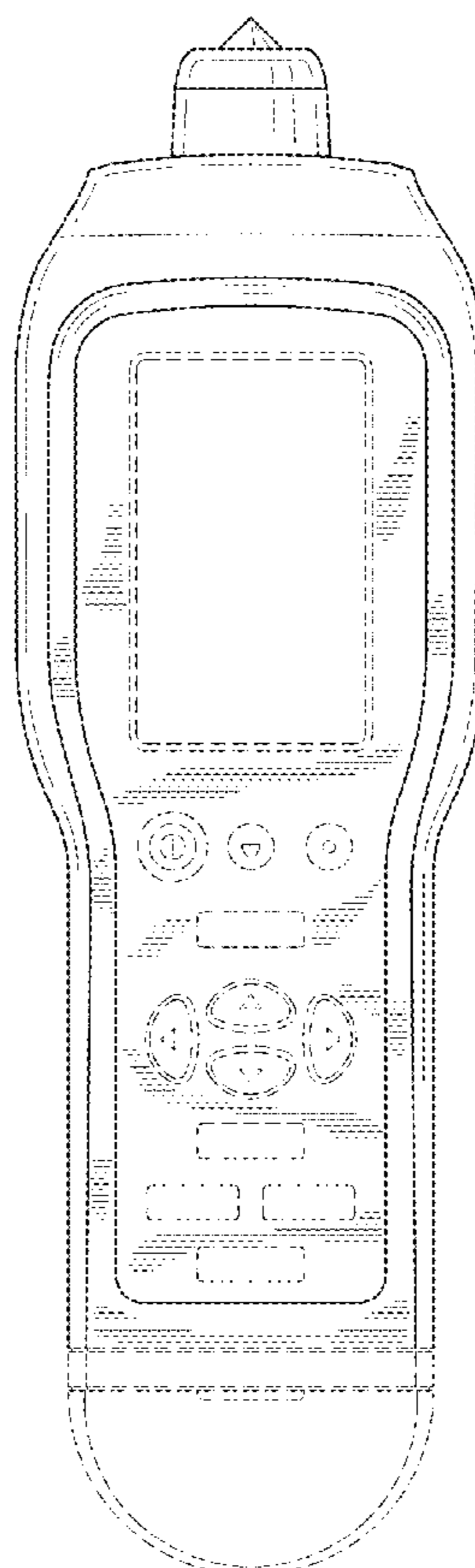
(56) **References Cited**
U.S. PATENT DOCUMENTS
D570,235 S * 6/2008 Staller D10/78
* cited by examiner
Primary Examiner — Antoine D Davis
(74) *Attorney, Agent, or Firm* — Christensen O'Connor Johnson Kindness PLLC

(57) **CLAIM**
The ornamental design for a portable bearing checker, as shown.

DESCRIPTION

FIG. 1 is a front plan view of a first embodiment of a portable bearing checker.
FIG. 2 is a back plan view thereof.
FIG. 3 is a right side view thereof; and,
FIG. 4 is a top view thereof.
The broken lines form no part of the claimed design.

1 Claim, 2 Drawing Sheets



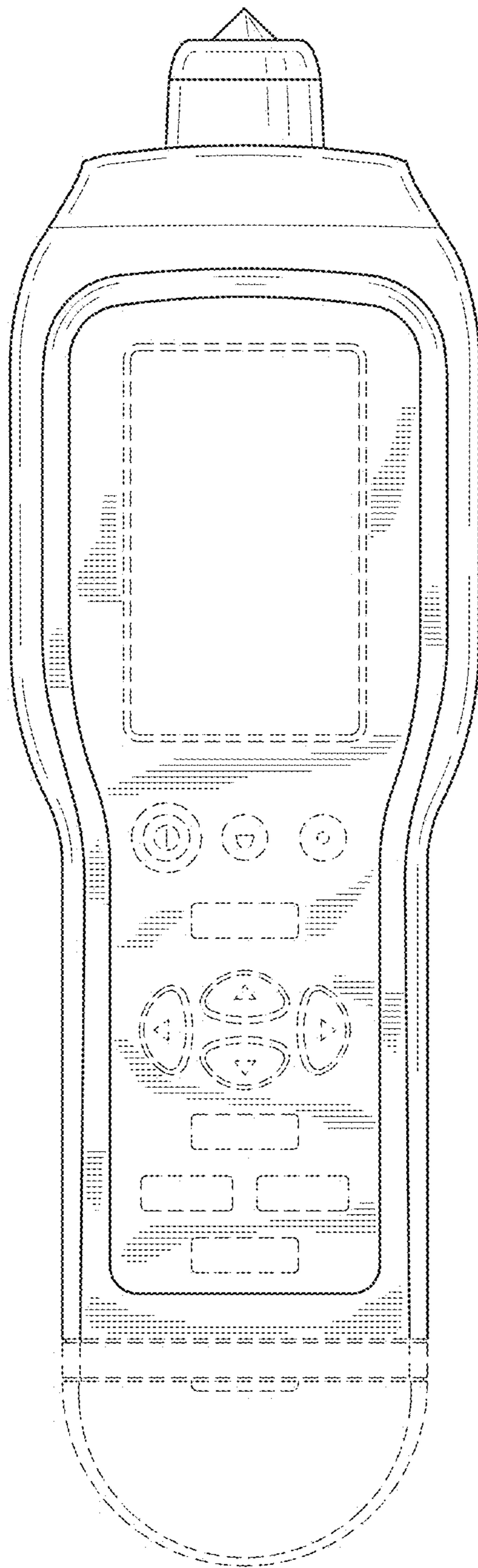


FIG. 1

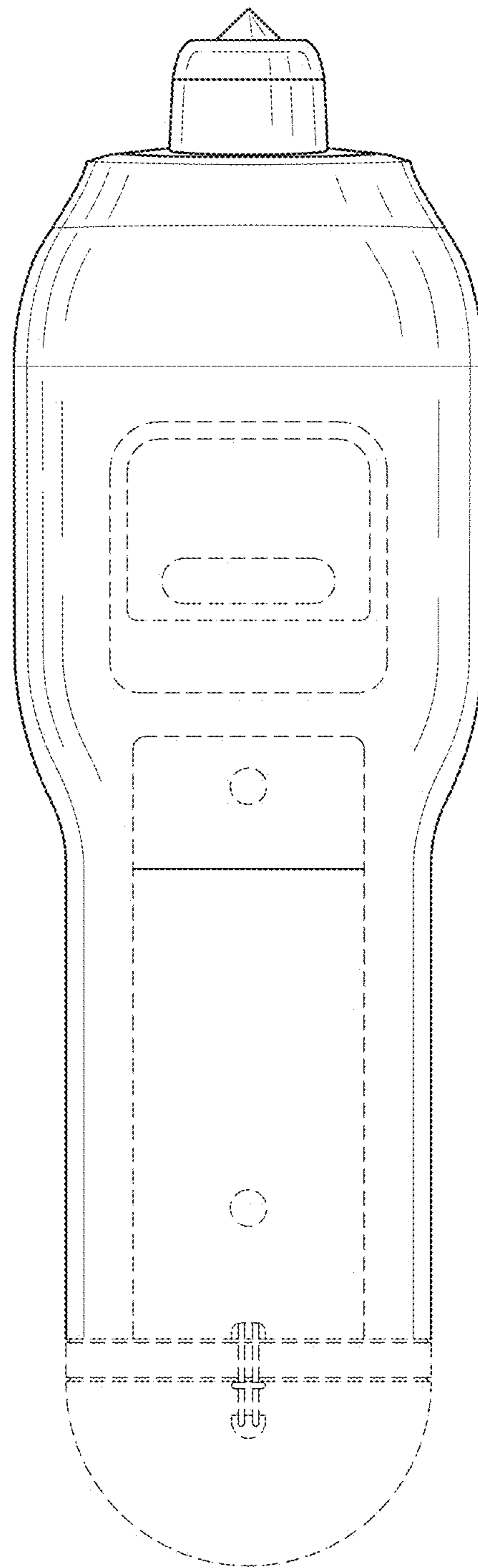


FIG. 2

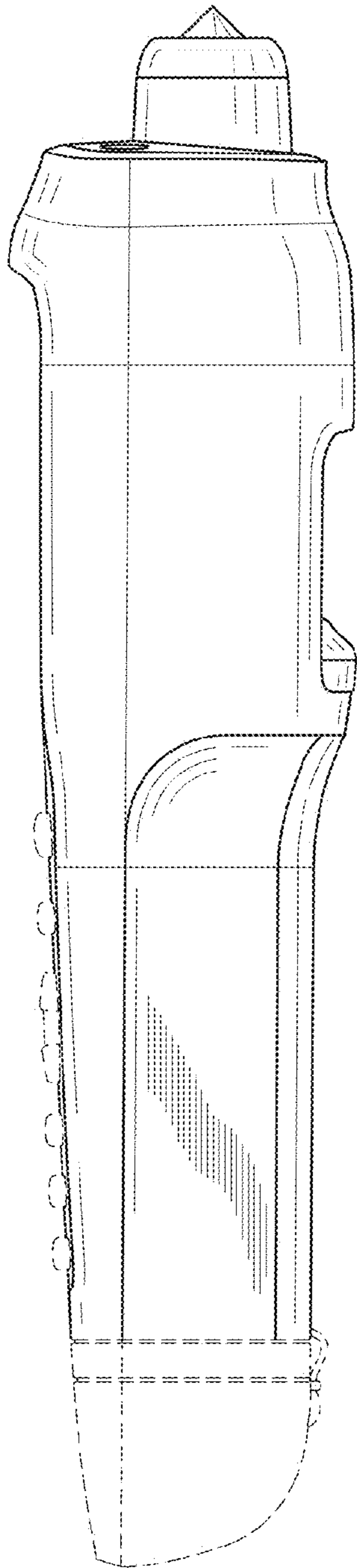


FIG. 3

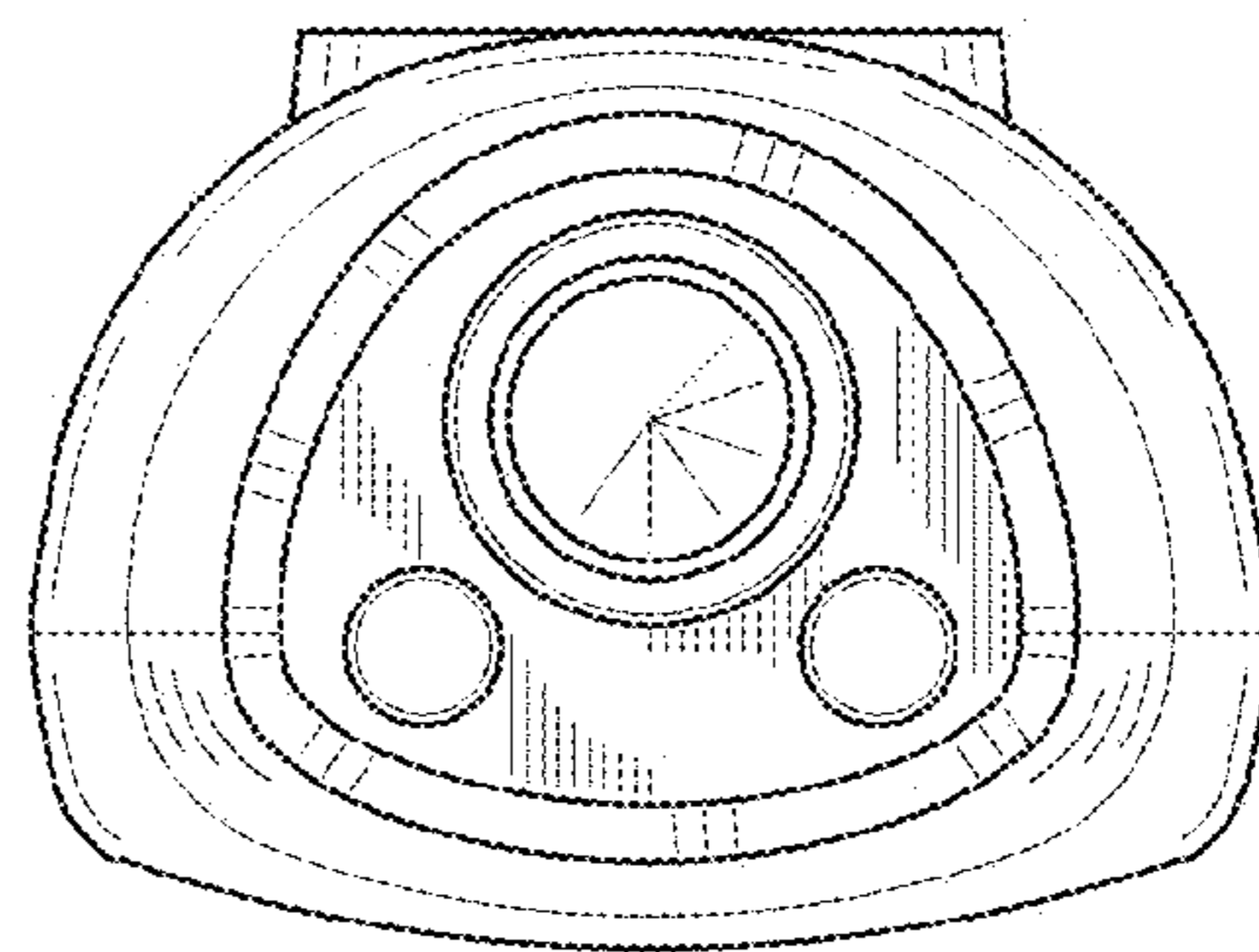


FIG. 4