



US00D701129S

(12) **United States Design Patent**
Laurino et al.

(10) **Patent No.:** **US D701,129 S**
(45) **Date of Patent:** **** Mar. 18, 2014**

(54) **PORTABLE WIRELESS ANEMOMETER**

- (71) Applicant: **Fluke Corporation**, Everett, WA (US)
- (72) Inventors: **Ferdinand Laurino**, Seattle, WA (US);
Matthew Marzynski, Seattle, WA (US)
- (73) Assignee: **Fluke Corporation**, Everett, WA (US)
- (**) Term: **14 Years**
- (21) Appl. No.: **29/459,739**
- (22) Filed: **Jul. 2, 2013**

Related U.S. Application Data

- (62) Division of application No. 29/405,682, filed on Nov. 4, 2011, now Pat. No. Des. 685,274.
- (51) **LOC (10) Cl.** **10-04**
- (52) **U.S. Cl.**
USPC **D10/59**
- (58) **Field of Classification Search**
USPC D10/59; 73/170.01, 170.07, 170.12,
73/861.85; 209/44, 55; 415/4.2;
416/197 A, 212 A
See application file for complete search history.

(56) **References Cited**

U.S. PATENT DOCUMENTS

D352,909 S 11/1994 Newman
6,257,074 B1 7/2001 Kellerman

(Continued)

Primary Examiner — Antoine D Davis

(74) *Attorney, Agent, or Firm* — Christensen O'Connor
Johnson Kindness PLLC

(57) **CLAIM**

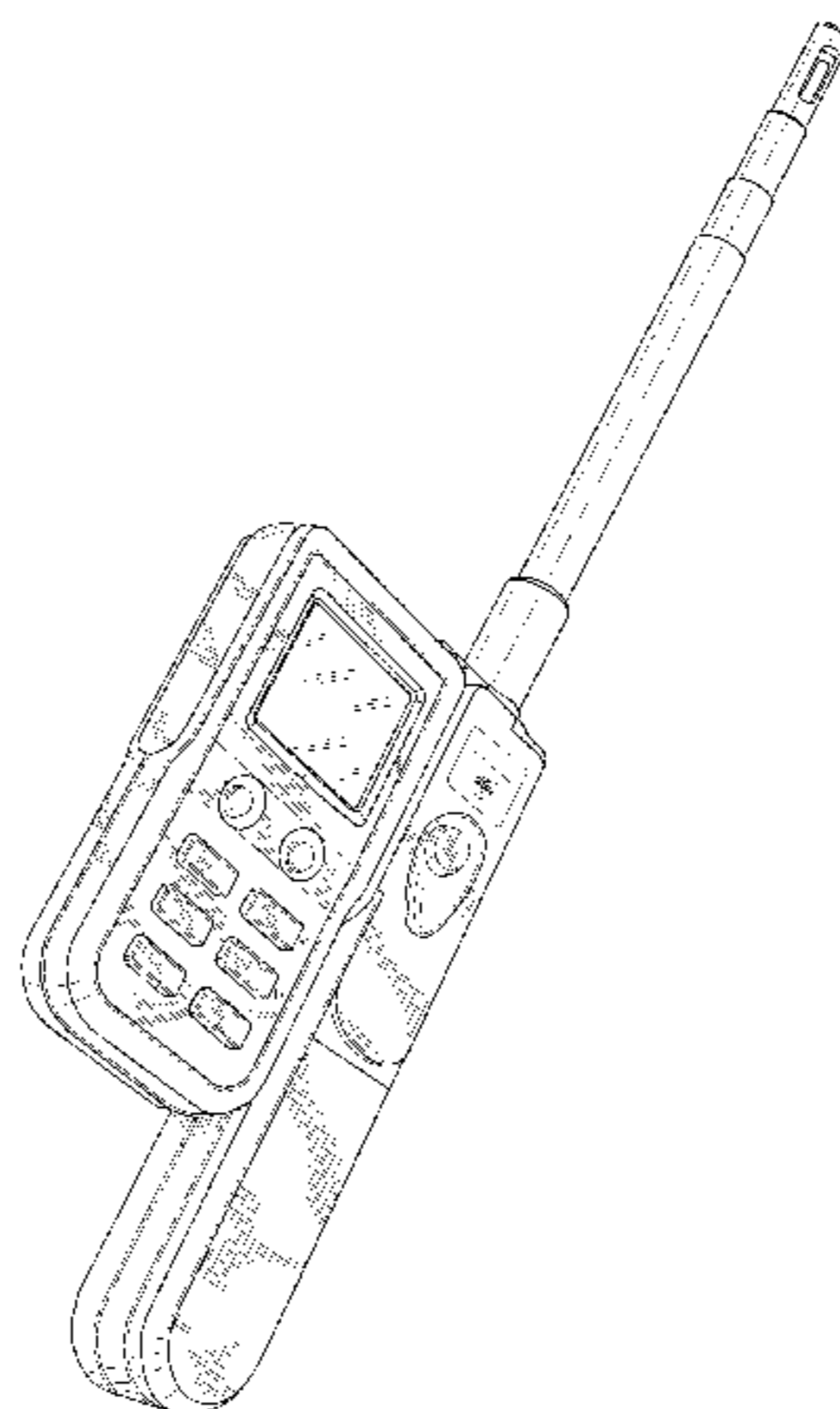
The ornamental design for a portable wireless anemometer, as shown and described.

DESCRIPTION

FIG. 1 is a front elevation view of a portable wireless anemometer showing our new design;
FIG. 2 is a rear elevation view thereof;
FIG. 3 is a left side elevation view thereof;
FIG. 4 is a right side elevation view thereof;

FIG. 5 is a lower front left perspective view thereof;
FIG. 6 is a lower front right perspective view thereof;
FIG. 7 is an upper front right perspective view thereof;
FIG. 8 is an upper front left perspective view thereof;
FIG. 9 is a partially exploded view thereof;
FIG. 10 is a first detail view thereof;
FIG. 11 is a second detail view thereof;
FIG. 12 is a front elevation view of a second embodiment of FIG. 1;
FIG. 13 is a rear elevation view thereof;
FIG. 14 is a left side elevation view thereof;
FIG. 15 is a right side elevation view thereof;
FIG. 16 is a lower front left perspective view thereof;
FIG. 17 is a lower front right perspective view thereof;
FIG. 18 is an upper front right perspective view thereof;
FIG. 19 is an upper front left perspective view thereof;
FIG. 20 is a partially exploded view thereof;
FIG. 21 is a first detail view thereof;
FIG. 22 is a second detail view thereof;
FIG. 23 is a front elevation view of a third embodiment of FIG. 1;
FIG. 24 is a rear elevation view thereof;
FIG. 25 is a left side elevation view thereof;
FIG. 26 is a right side elevation view thereof;
FIG. 27 is a lower front left perspective view thereof;
FIG. 28 is a lower front right perspective view thereof;
FIG. 29 is an upper front right perspective view thereof;
FIG. 30 is an upper front left perspective view thereof;
FIG. 31 is a partially exploded view thereof;
FIG. 32 is a front elevation view of a fourth embodiment of FIG. 1;
FIG. 33 is a rear elevation view thereof;
FIG. 34 is a left side elevation view thereof;
FIG. 35 is a right side elevation view thereof;
FIG. 36 is a lower front left perspective view thereof;
FIG. 37 is a lower front right perspective view thereof;
FIG. 38 is an upper front right perspective view thereof;
FIG. 39 is an upper front left perspective view thereof;
FIG. 40 is a partially exploded view thereof;
FIG. 41 is a first detail view thereof; and,
FIG. 42 is a second detail view thereof.
The broken lines of FIGS. 12-14, 16-20, 23-32, and 36-40 illustrate environmental subject matter and form no part of the claimed design.

1 Claim, 32 Drawing Sheets



US D701,129 S

Page 2

(56)

References Cited

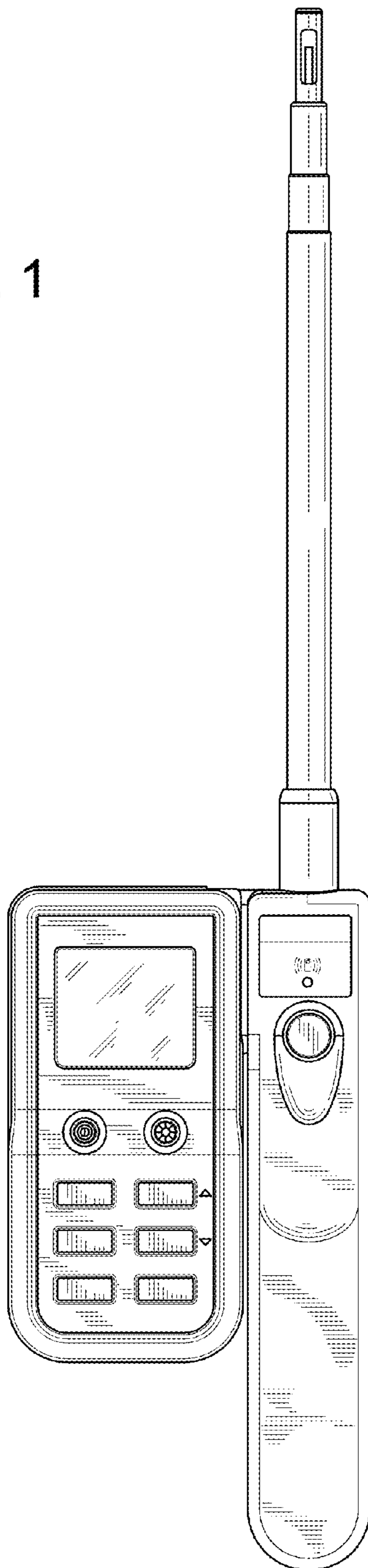
U.S. PATENT DOCUMENTS

D461,421 S 8/2002 Kellerman

D478,516 S 8/2003 Larsson
7,452,127 B2 * 11/2008 Blakely, III 73/170.12
8,327,701 B2 * 12/2012 Lin 73/170.11

* cited by examiner

FIG. 1



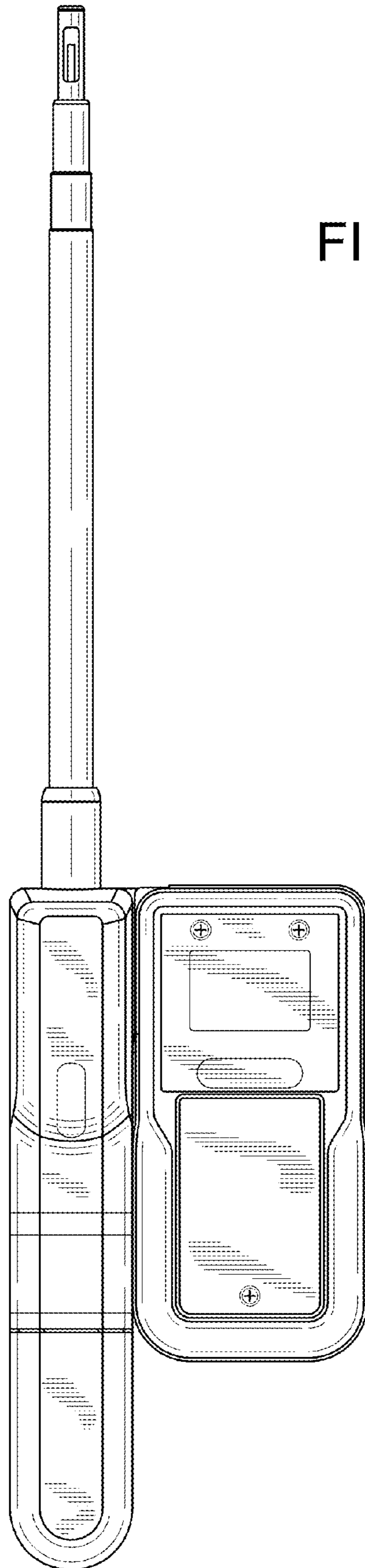


FIG. 2

FIG. 3

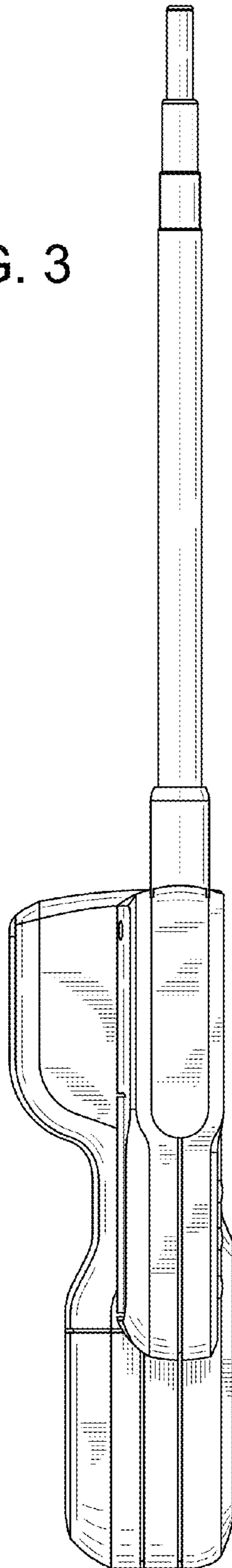


FIG. 4

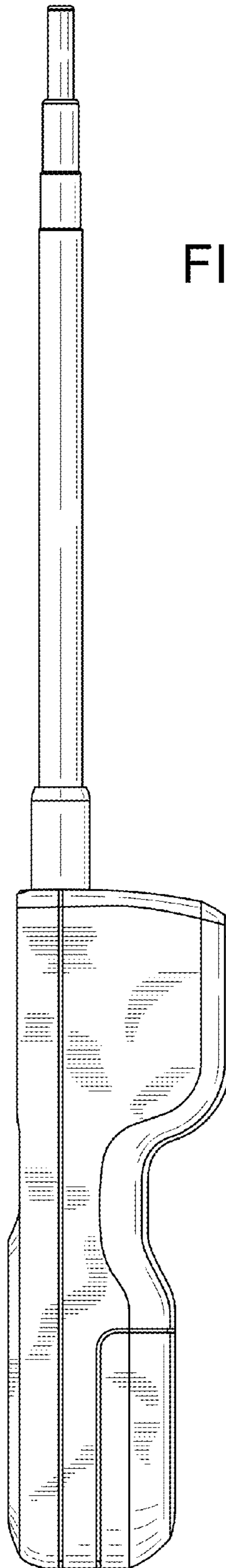


FIG. 5

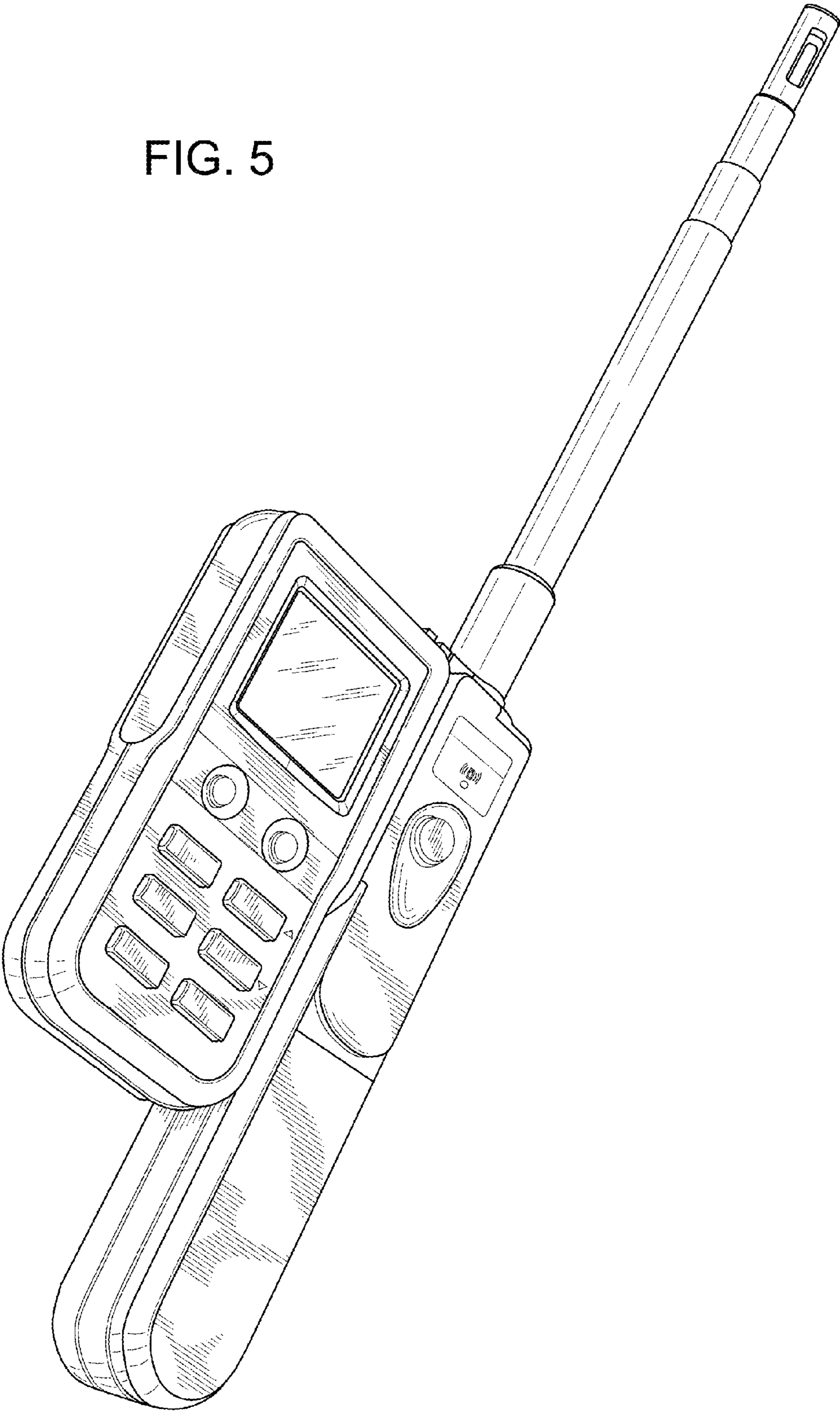


FIG. 6



FIG. 7

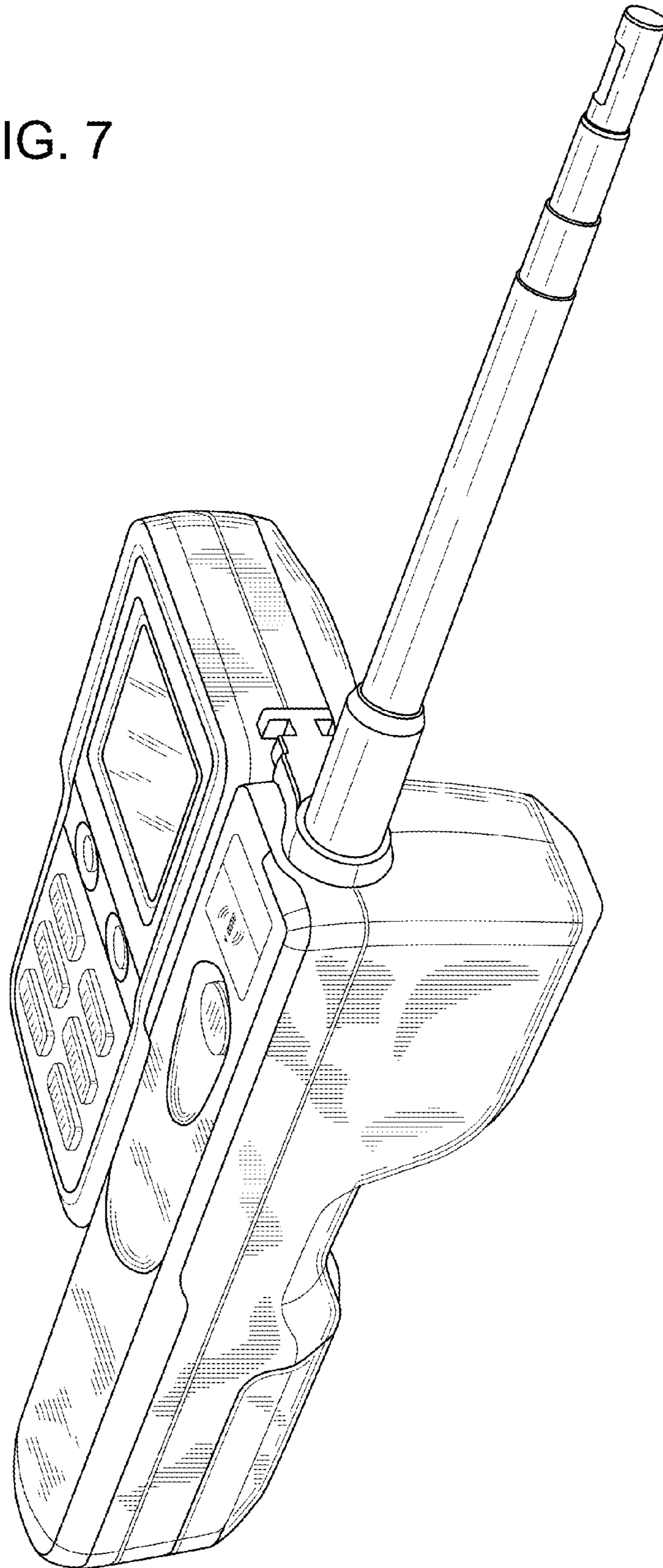
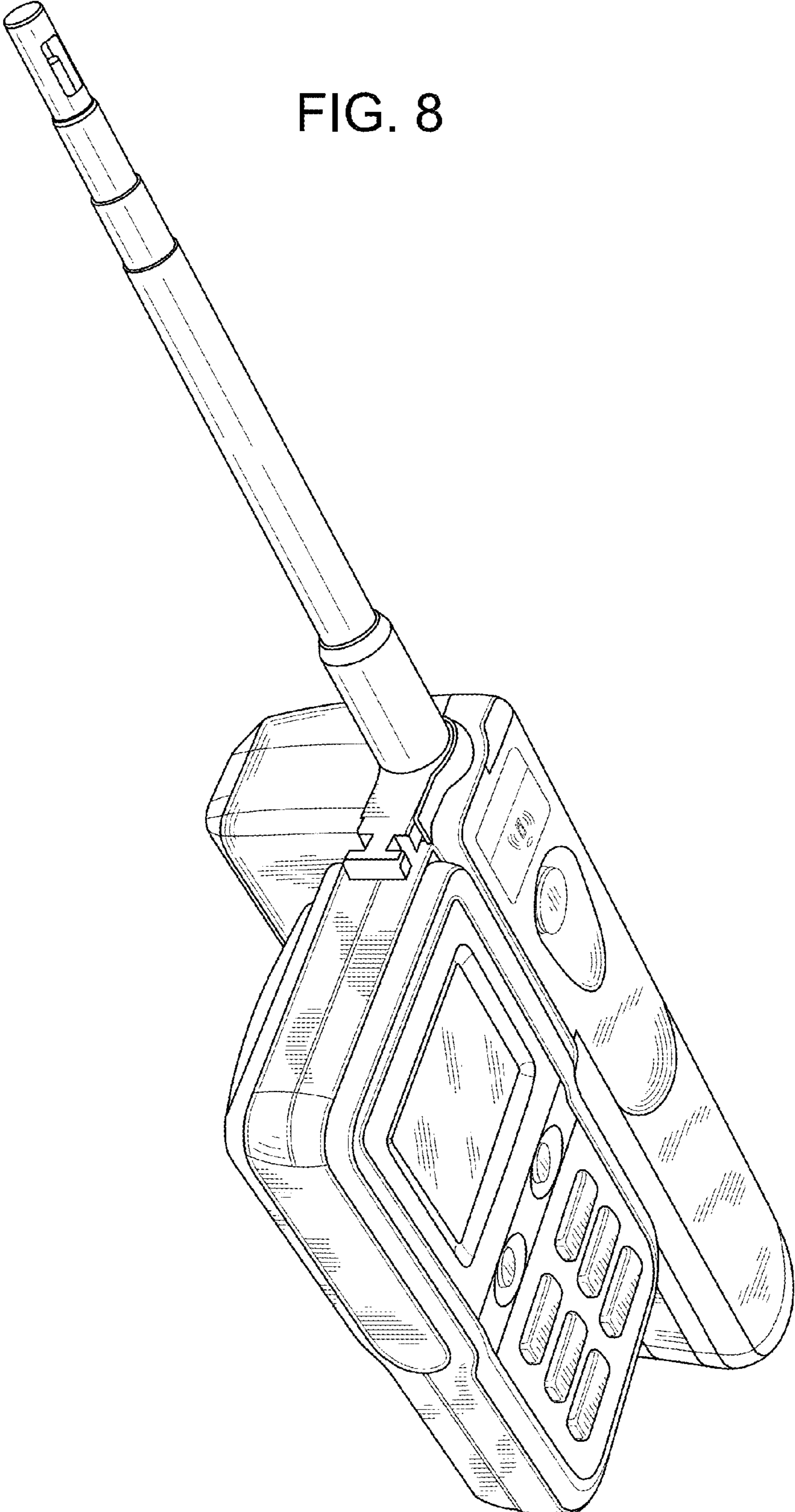


FIG. 8



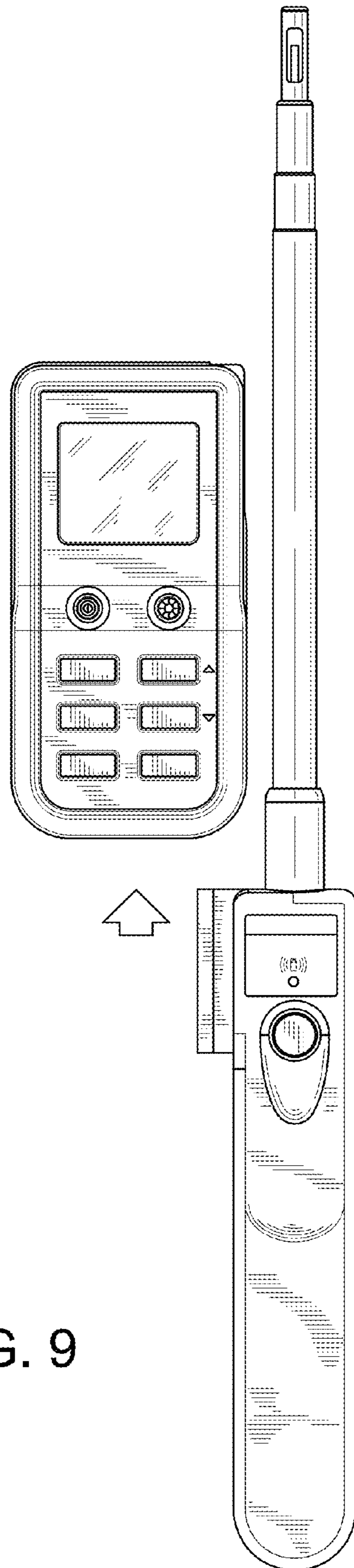


FIG. 9

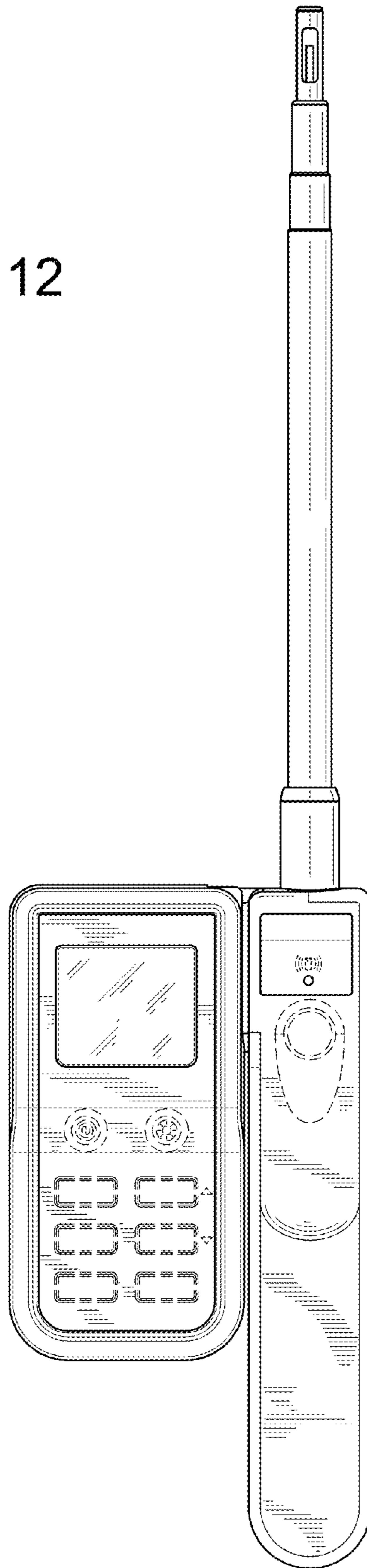


FIG. 10



FIG. 11

FIG. 12



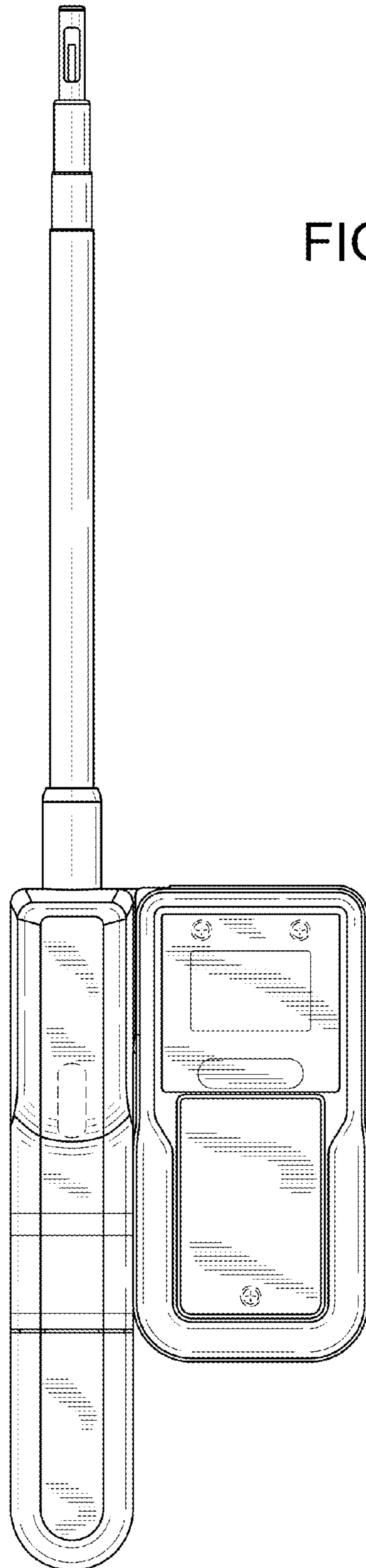


FIG. 13

FIG. 14

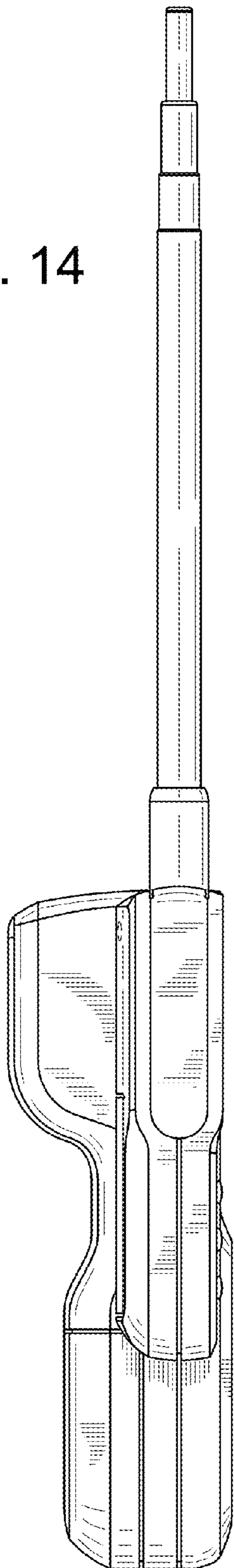


FIG. 15

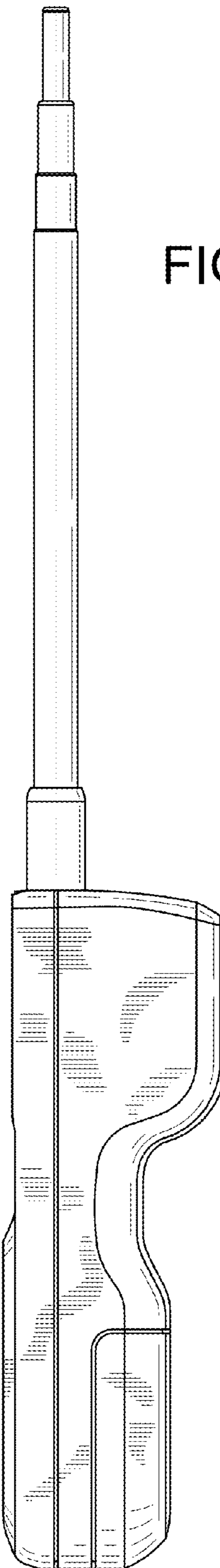


FIG. 16

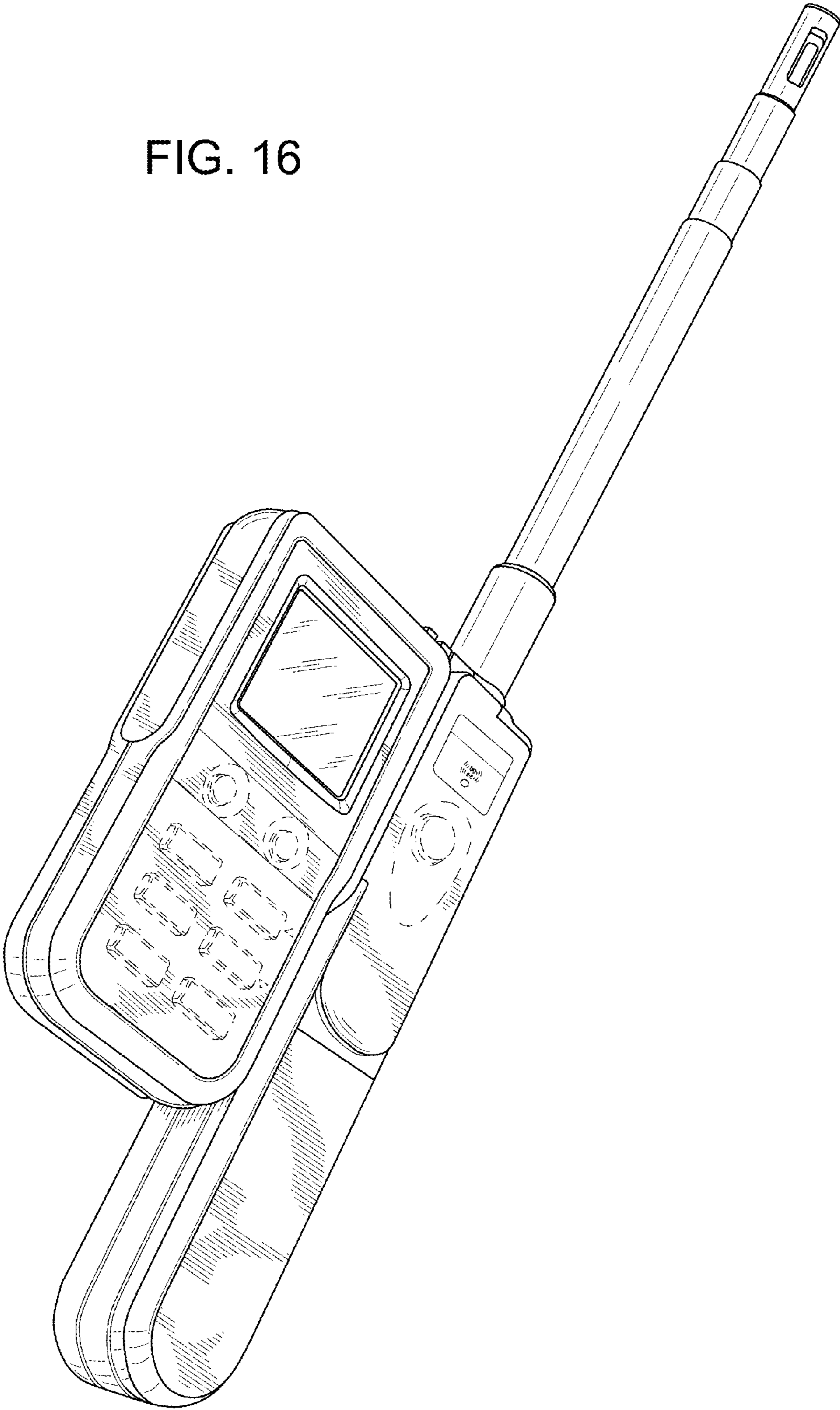


FIG. 17

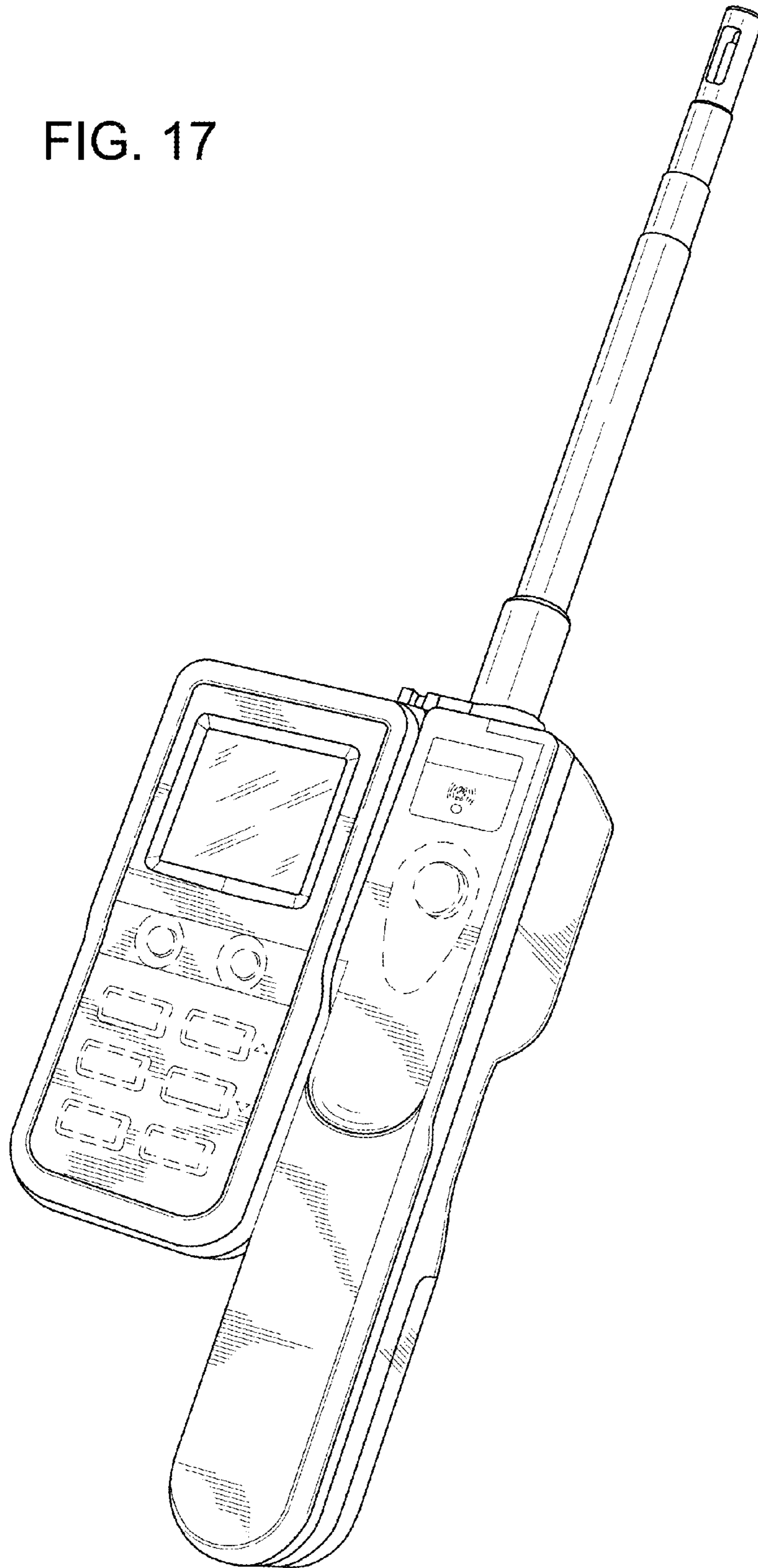


FIG. 18

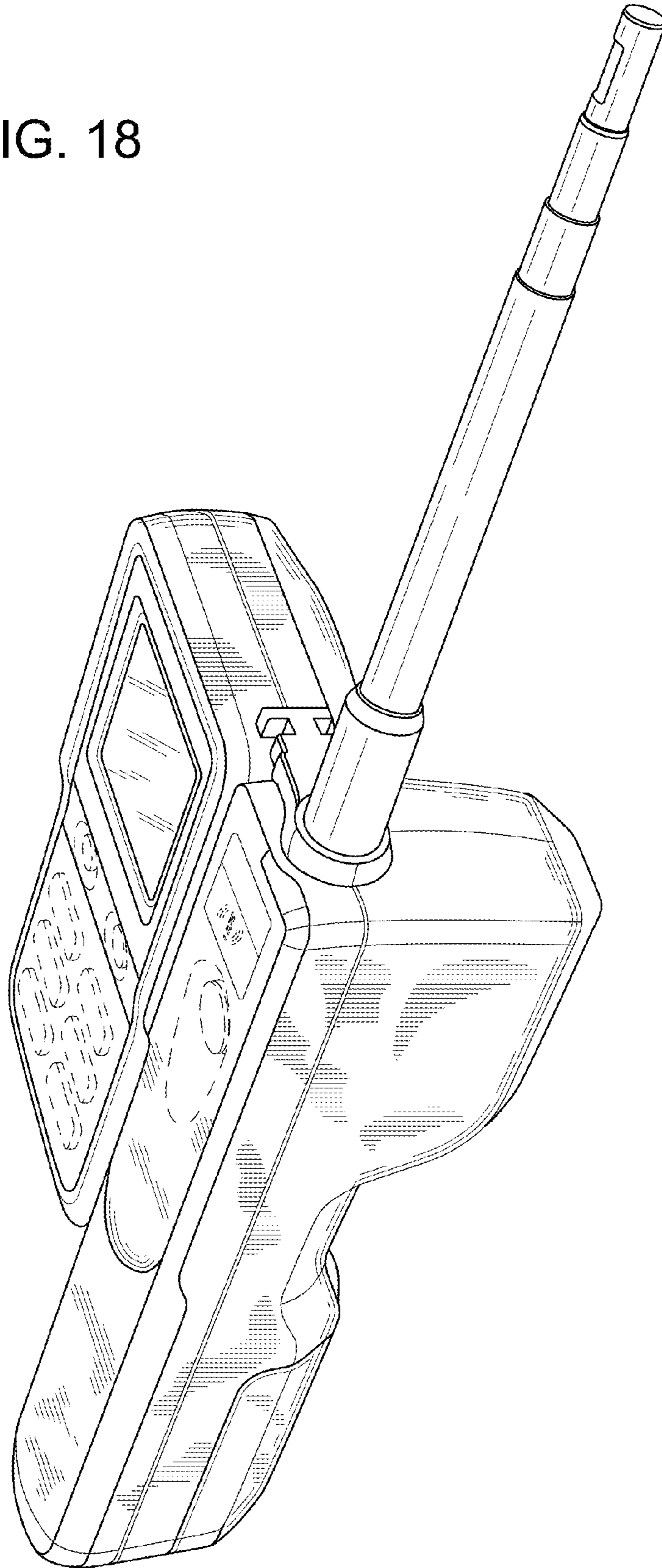
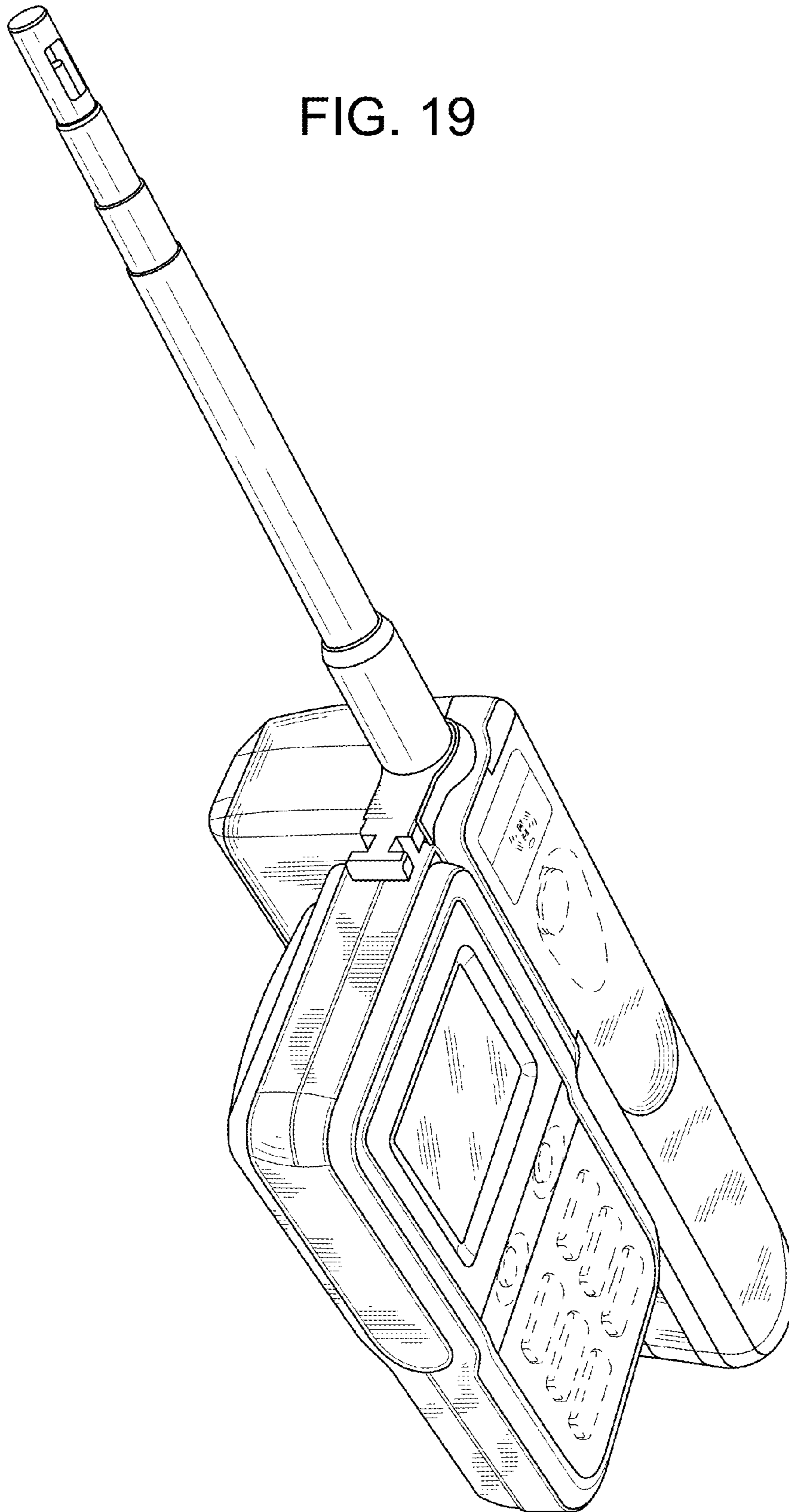


FIG. 19



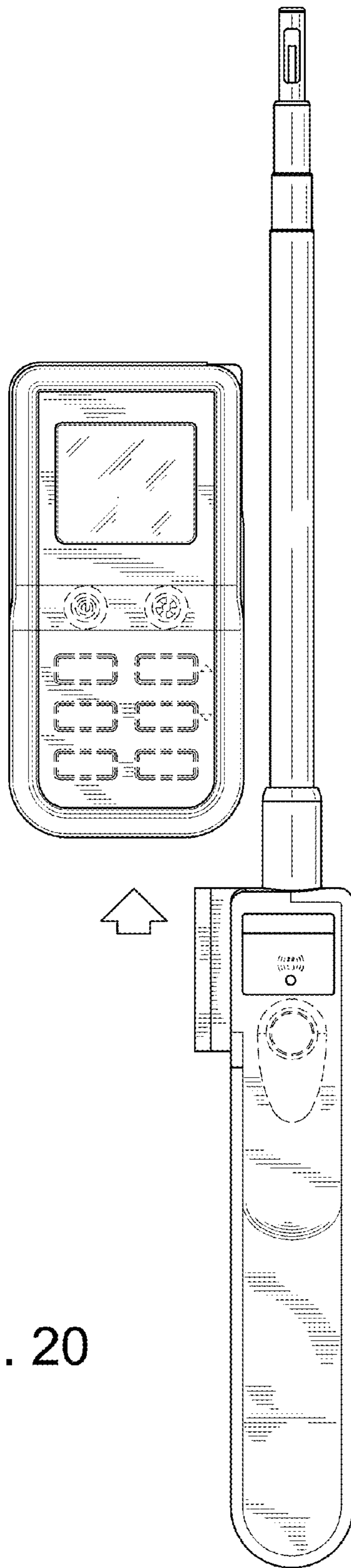


FIG. 20

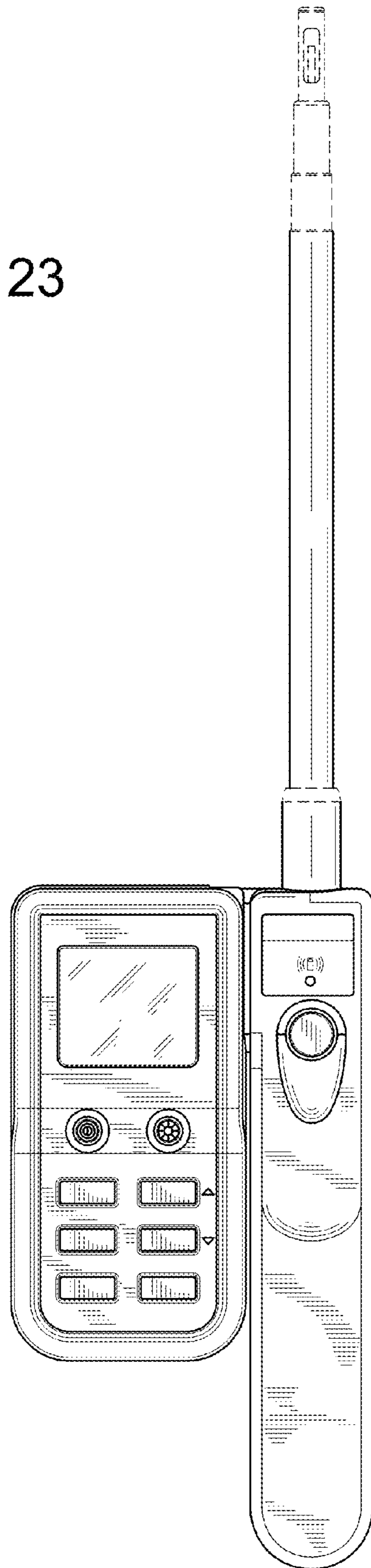


FIG. 21



FIG. 22

FIG. 23



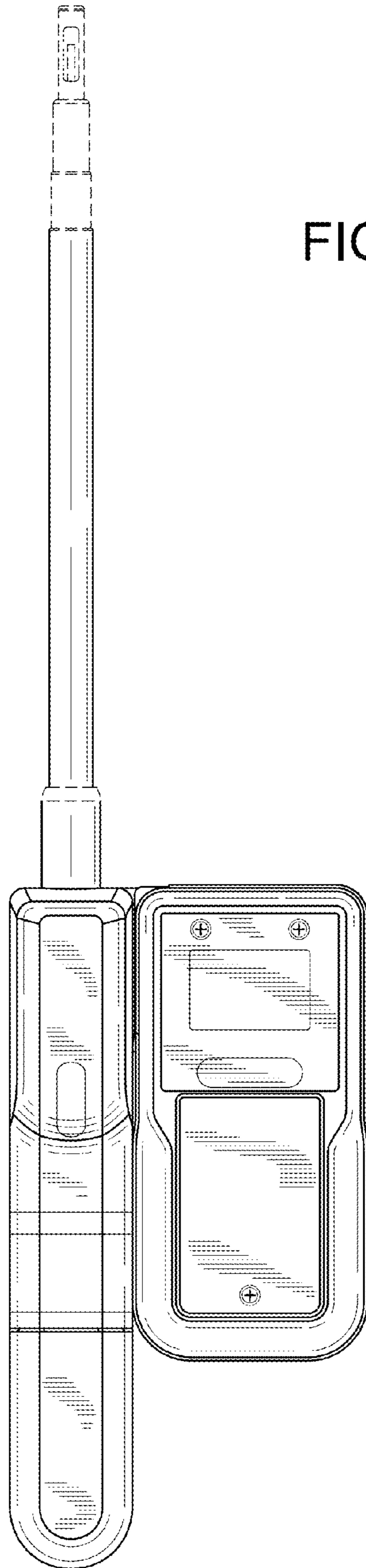


FIG. 24

FIG. 25

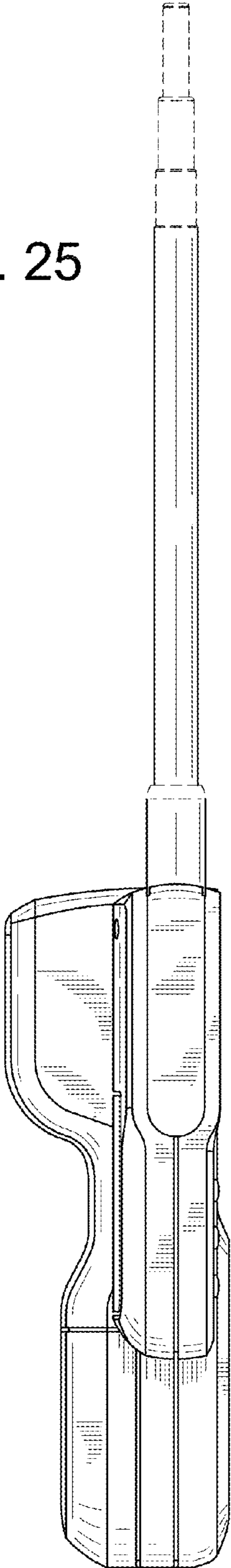


FIG. 26

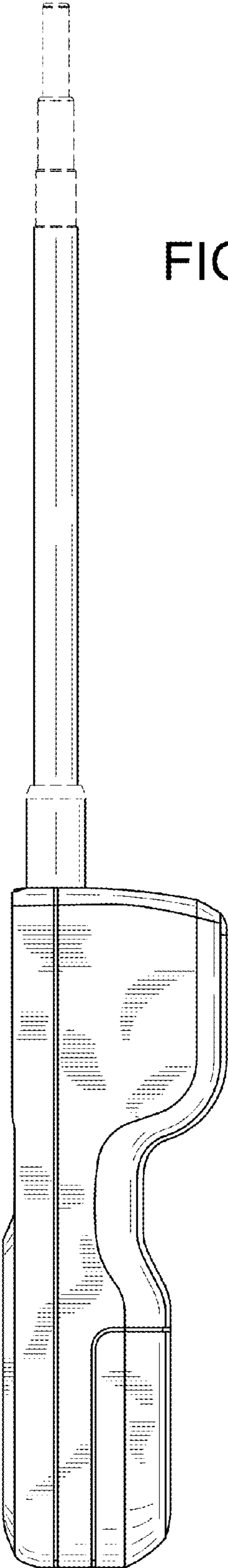


FIG. 27

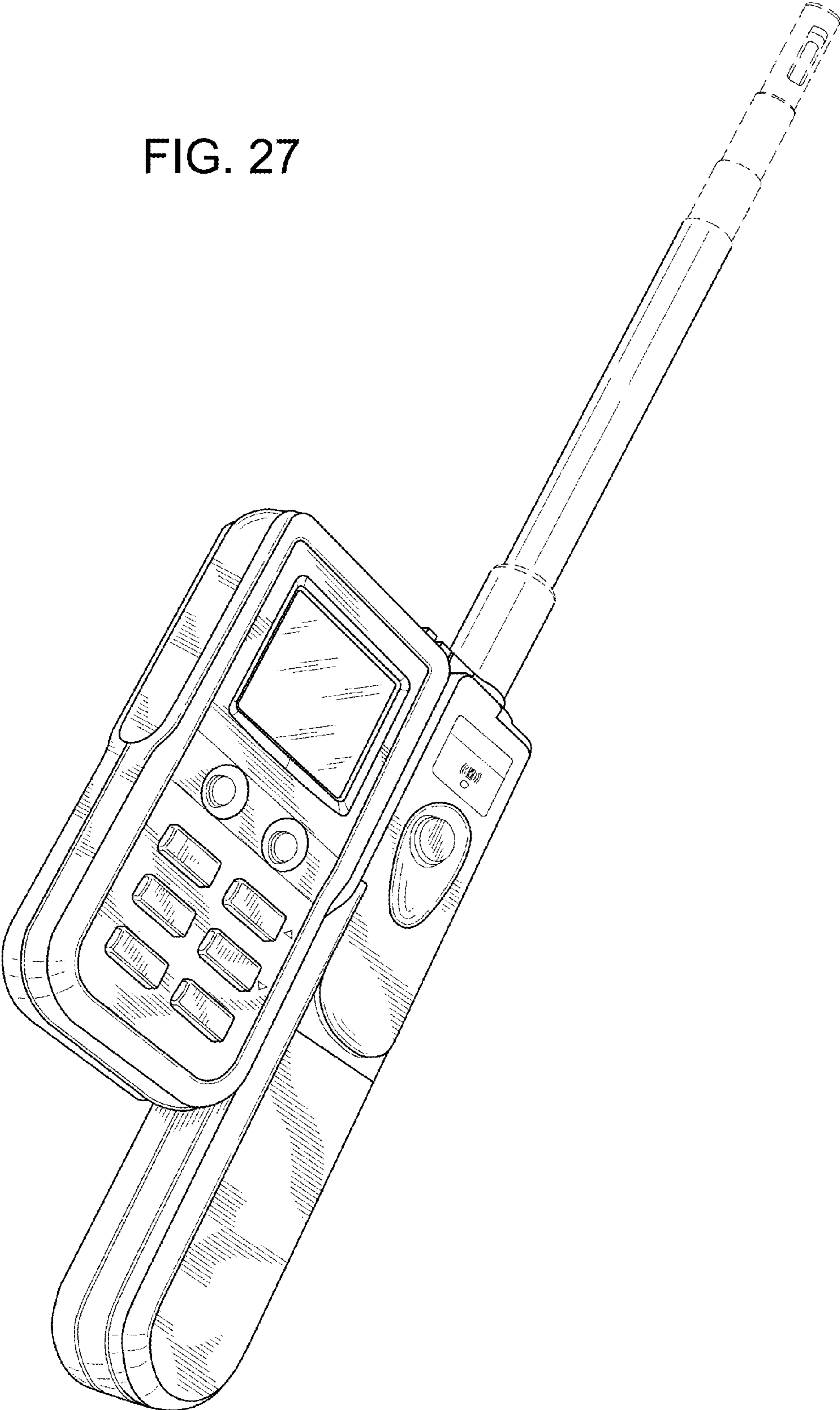


FIG. 28



FIG. 29

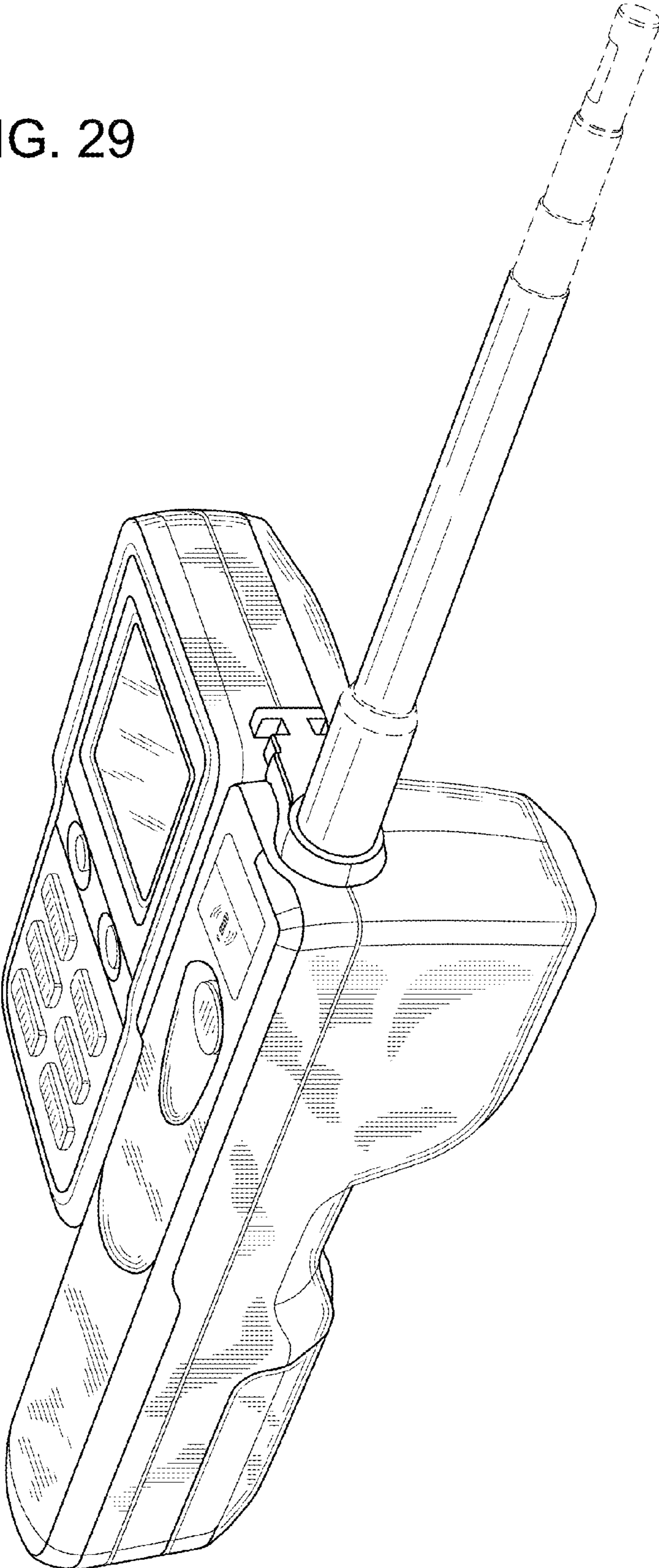
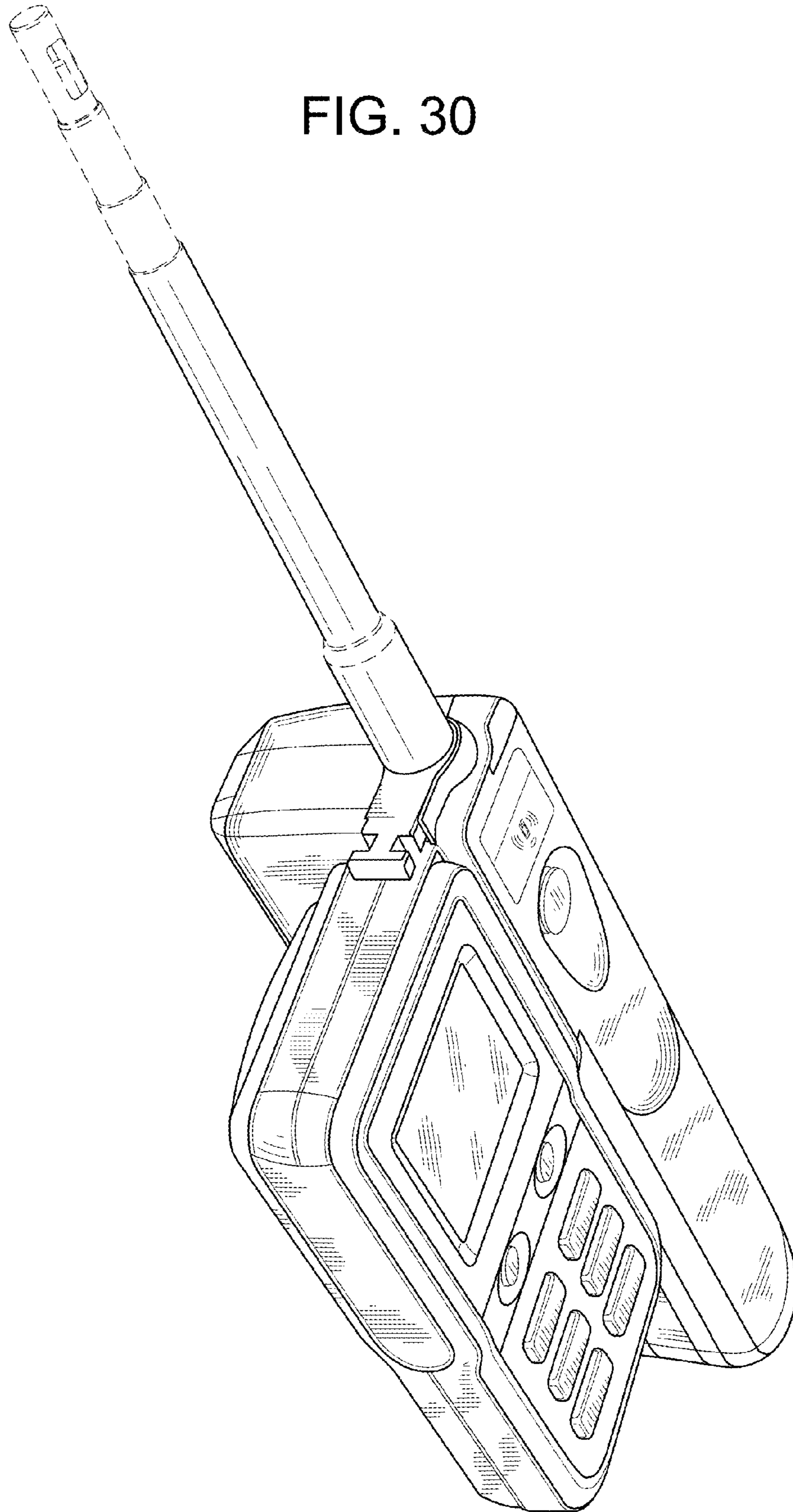


FIG. 30



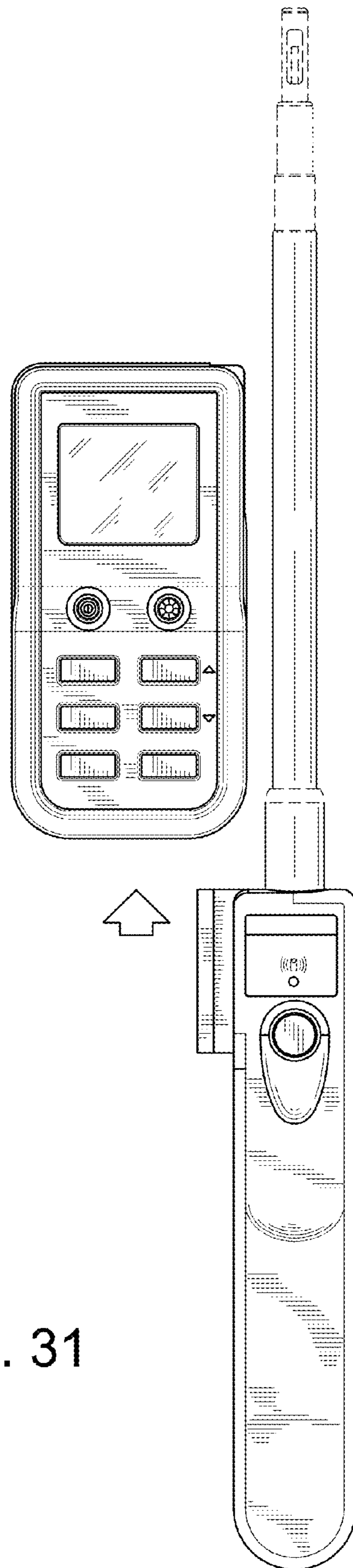
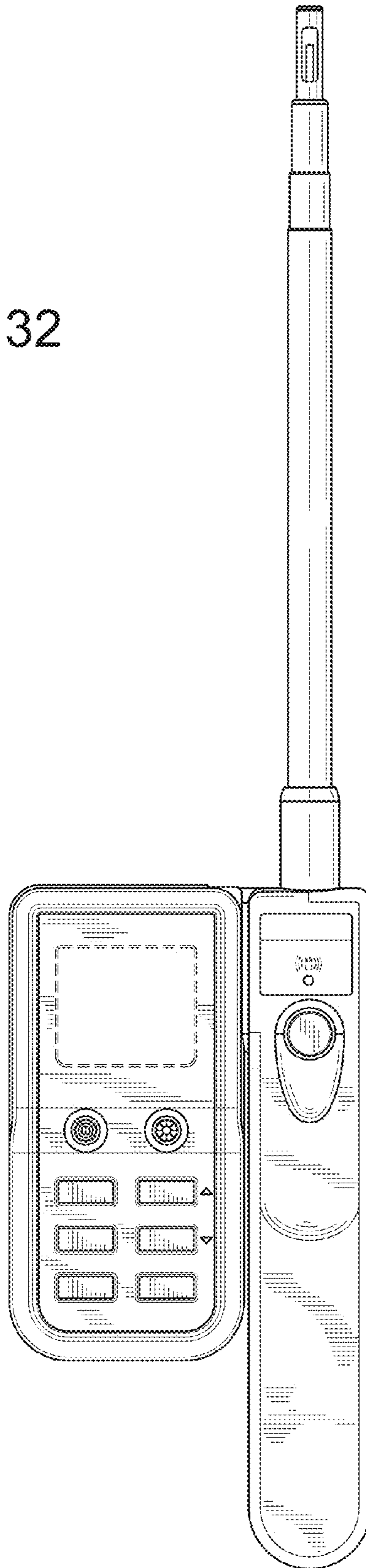


FIG. 31

FIG. 32



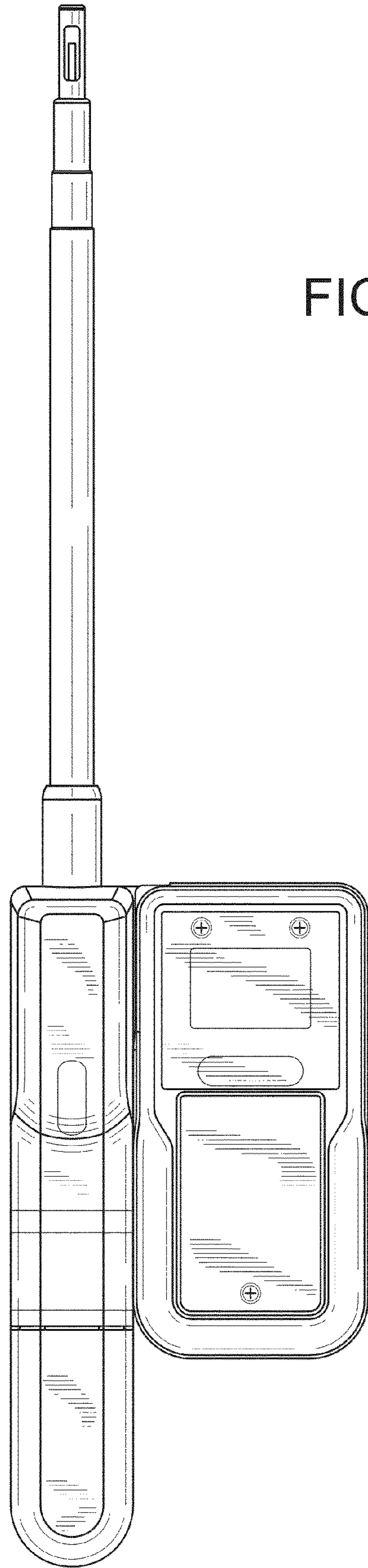


FIG. 33

FIG. 34

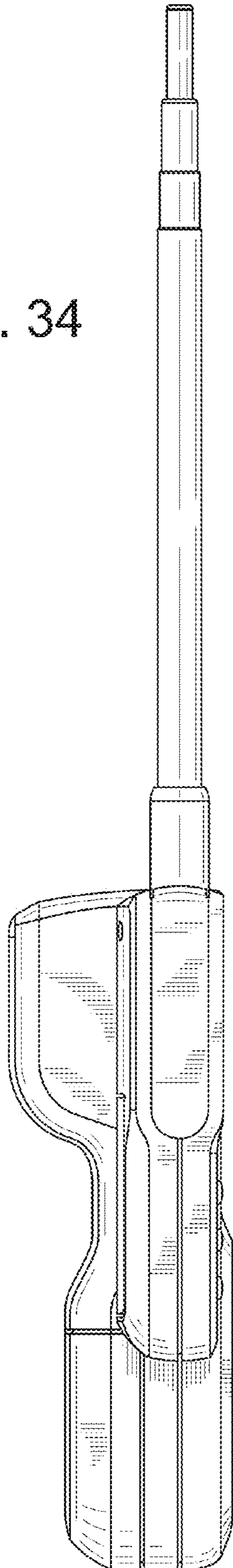


FIG. 35

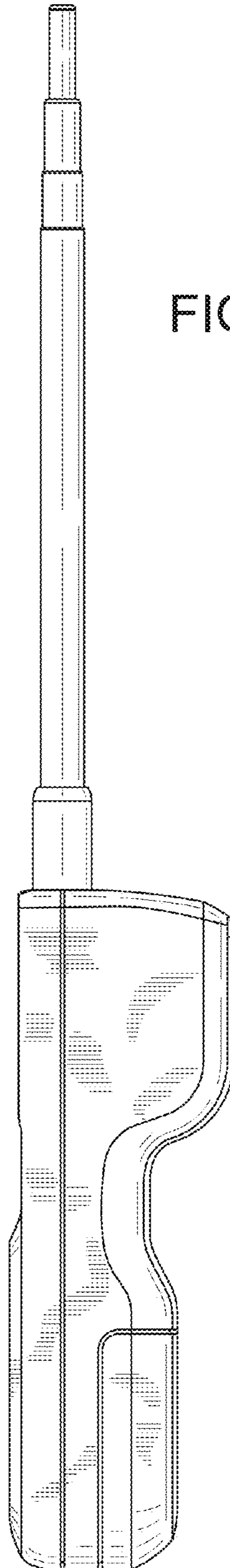


FIG. 36

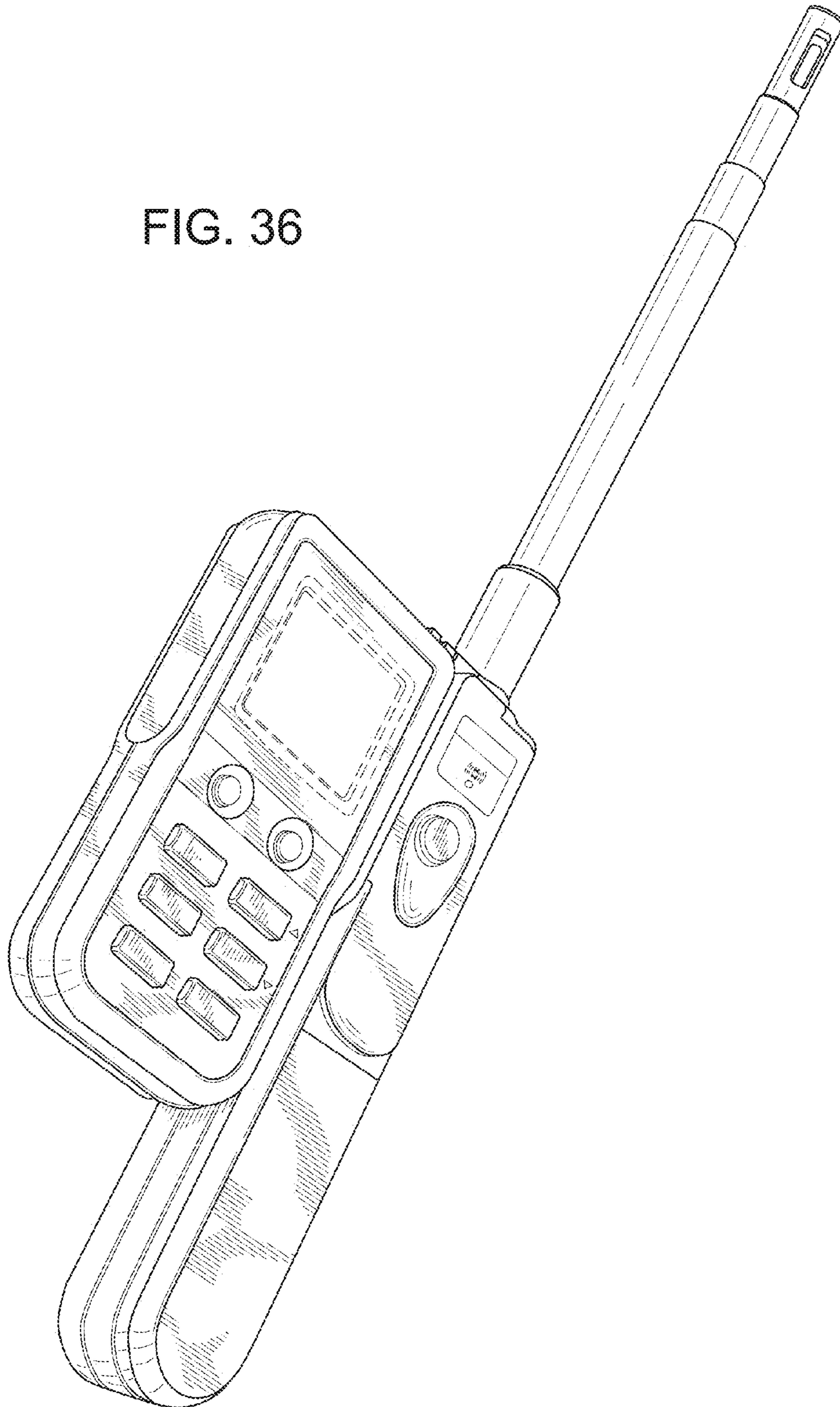
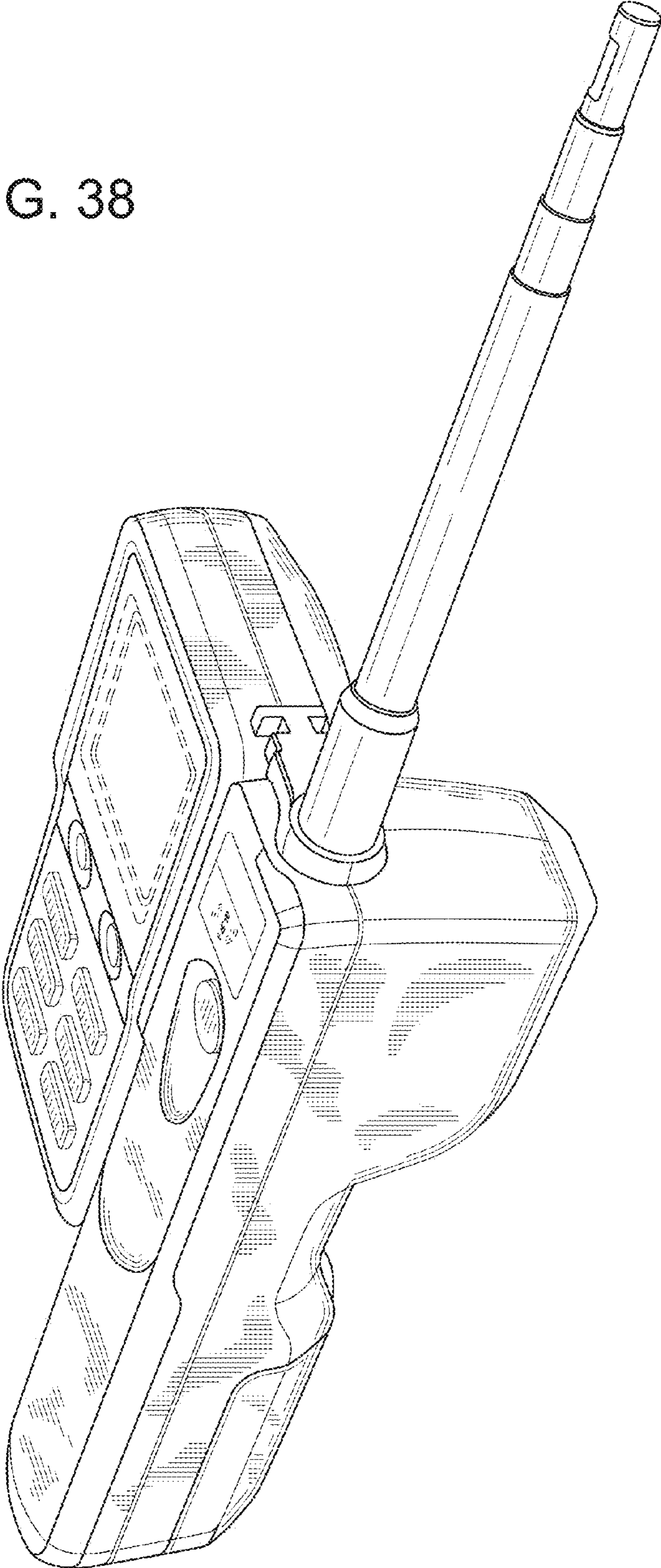


FIG. 37



FIG. 38



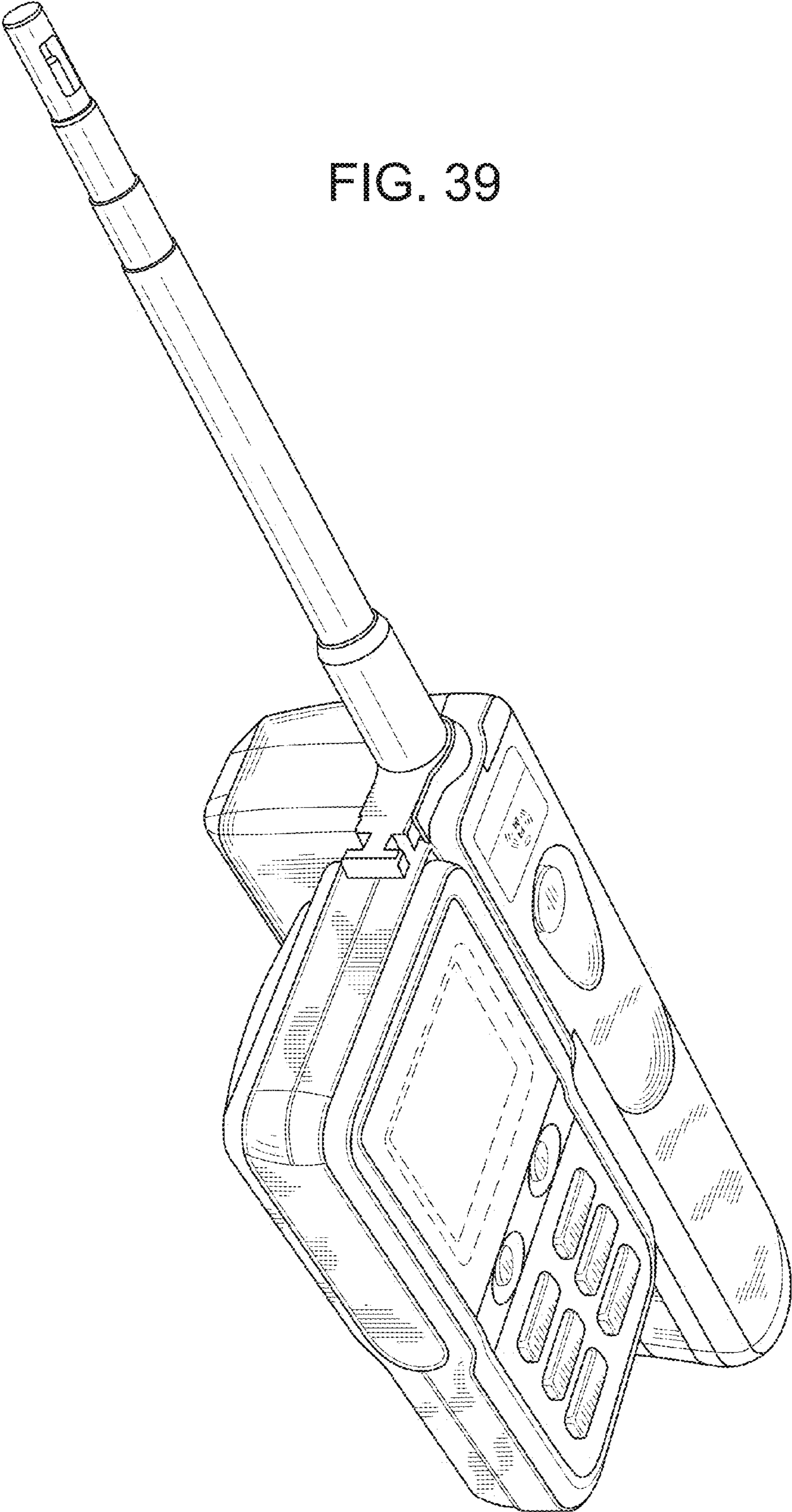


FIG. 39

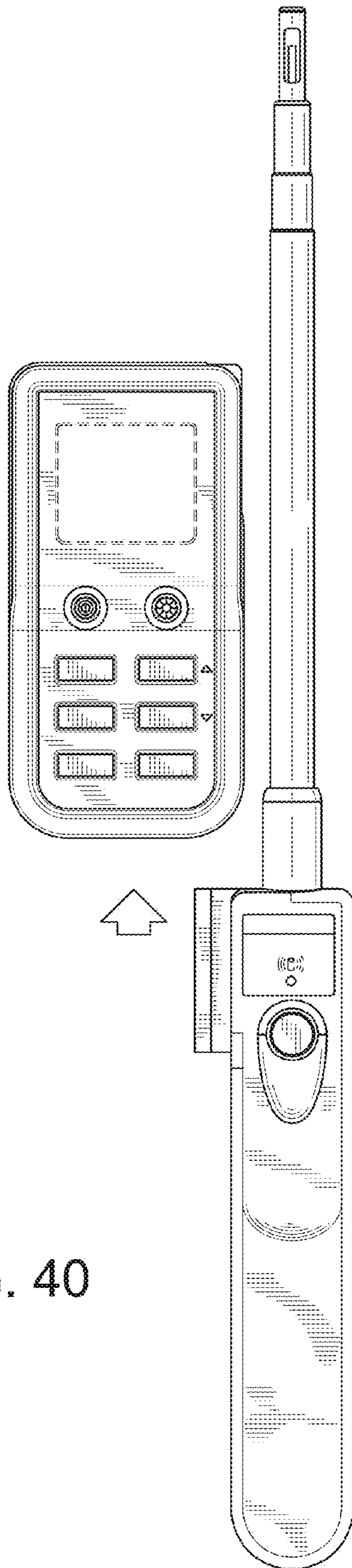


FIG. 40



FIG. 41



FIG. 42