



US00D701128S

(12) **United States Design Patent**  
**Lau et al.**

(10) **Patent No.:** **US D701,128 S**  
(45) **Date of Patent:** **\*\* Mar. 18, 2014**

(54) **WATCH**  
(75) Inventors: **Wai Cheong Lau**, South Horizons (HK);  
**Chun Wai Tse**, Lam Tin (HK)  
(73) Assignee: **Advance Watch Company, Ltd.**, Long  
Island City, NY (US)  
(\*\*) Term: **14 Years**  
(21) Appl. No.: **29/391,844**  
(22) Filed: **May 13, 2011**

5,453,960 A 9/1995 Terés et al.  
D386,696 S \* 11/1997 Walch ..... D10/34  
D398,862 S \* 9/1998 Craven ..... D10/31  
D413,530 S \* 9/1999 Flury et al. .... D10/32  
6,184,871 B1 2/2001 Terés et al.  
6,246,394 B1 6/2001 Kalthoff et al.  
6,570,443 B2 5/2003 Casagrande  
6,868,046 B2 3/2005 Farine et al.  
6,882,596 B2 4/2005 Guanter et al.  
6,967,903 B2 11/2005 Guanter  
D591,620 S 5/2009 Giannini  
D608,223 S \* 1/2010 Salanitro ..... D10/38  
D622,167 S \* 8/2010 Jorst et al. .... D10/39  
D625,203 S \* 10/2010 Giannini ..... D10/32  
D629,311 S \* 12/2010 Giannini ..... D10/31  
D629,703 S \* 12/2010 Giannini ..... D10/32  
D631,763 S \* 2/2011 Vollet ..... D10/32  
D631,764 S \* 2/2011 Furetta ..... D10/32  
D635,472 S \* 4/2011 Dalla Libera et al. .... D10/32  
2009/0059730 A1 3/2009 Lyons et al.  
2009/0199130 A1 8/2009 Tsem et al.

**Related U.S. Application Data**

(63) Continuation of application No. 12/911,205, filed on  
Oct. 25, 2010.  
(51) **LOC (10) Cl.** ..... **10-02**  
(52) **U.S. Cl.**  
USPC ..... **D10/32**  
(58) **Field of Classification Search**  
USPC ..... D10/30-39, 122-132; 368/276, 281,  
368/282, 285  
See application file for complete search history.

\* cited by examiner

*Primary Examiner* — Lucy Lieberman  
(74) *Attorney, Agent, or Firm* — Brooks Kushman P.C.

(57) **CLAIM**  
The ornamental design for a watch, as shown and described.

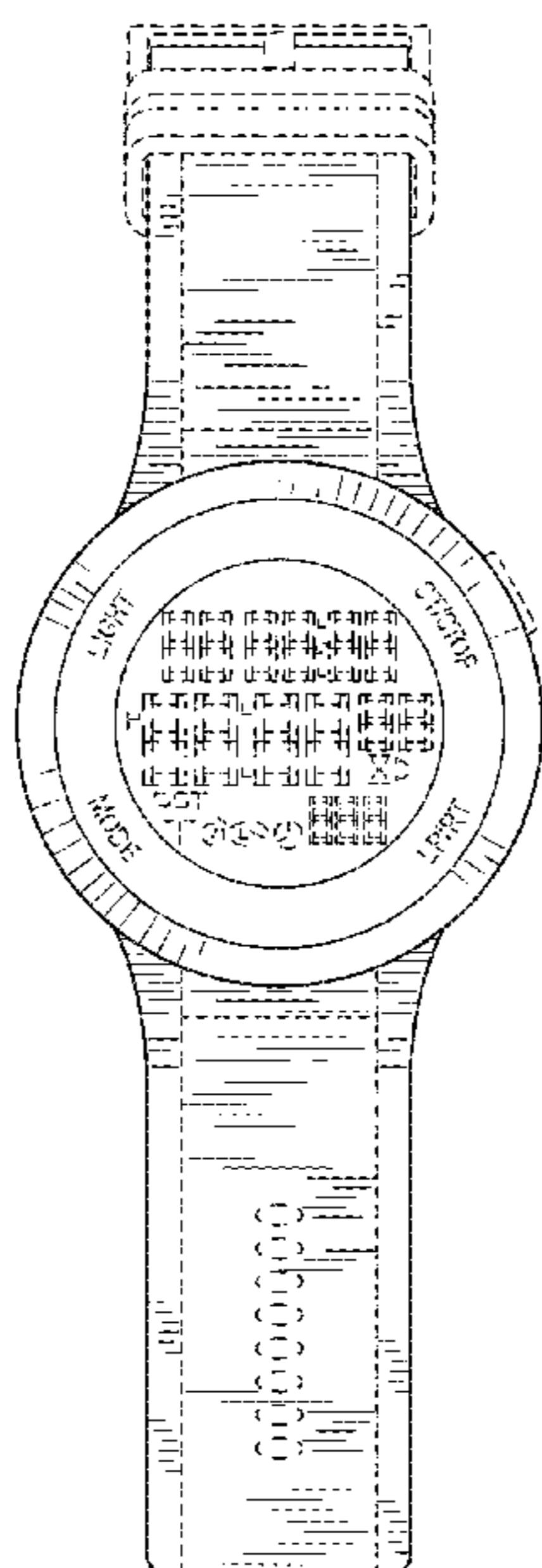
(56) **References Cited**  
U.S. PATENT DOCUMENTS

4,048,796 A 9/1977 Sasaki  
4,059,956 A 11/1977 Maeda et al.  
4,064,688 A 12/1977 Sasaki et al.  
4,090,353 A 5/1978 Maeda et al.  
4,120,148 A 10/1978 Moyer  
4,228,534 A 10/1980 Fellrath et al.  
4,255,802 A 3/1981 Ogawa  
4,257,117 A 3/1981 Besson  
4,322,833 A 3/1982 Husted  
5,051,967 A \* 9/1991 Dismond, III ..... 368/62  
5,088,070 A 2/1992 Shiff

**DESCRIPTION**

FIG. 1 is a front elevation of a watch showing our new design;  
FIG. 2 is a perspective view of the watch case of FIG. 1;  
FIG. 3 is a side view of the watch case of FIG. 1;  
FIG. 4 is another side view of the watch case of FIG. 1; and,  
FIG. 5 is a rear view of the watch case of FIG. 1.  
The writing on the dial that is shown in broken lines in FIG. 1  
does not form part of the claimed design. The other broken  
lines in the drawings are used to show portions of the watch  
and band that do not form part of the claimed design.

**1 Claim, 4 Drawing Sheets**



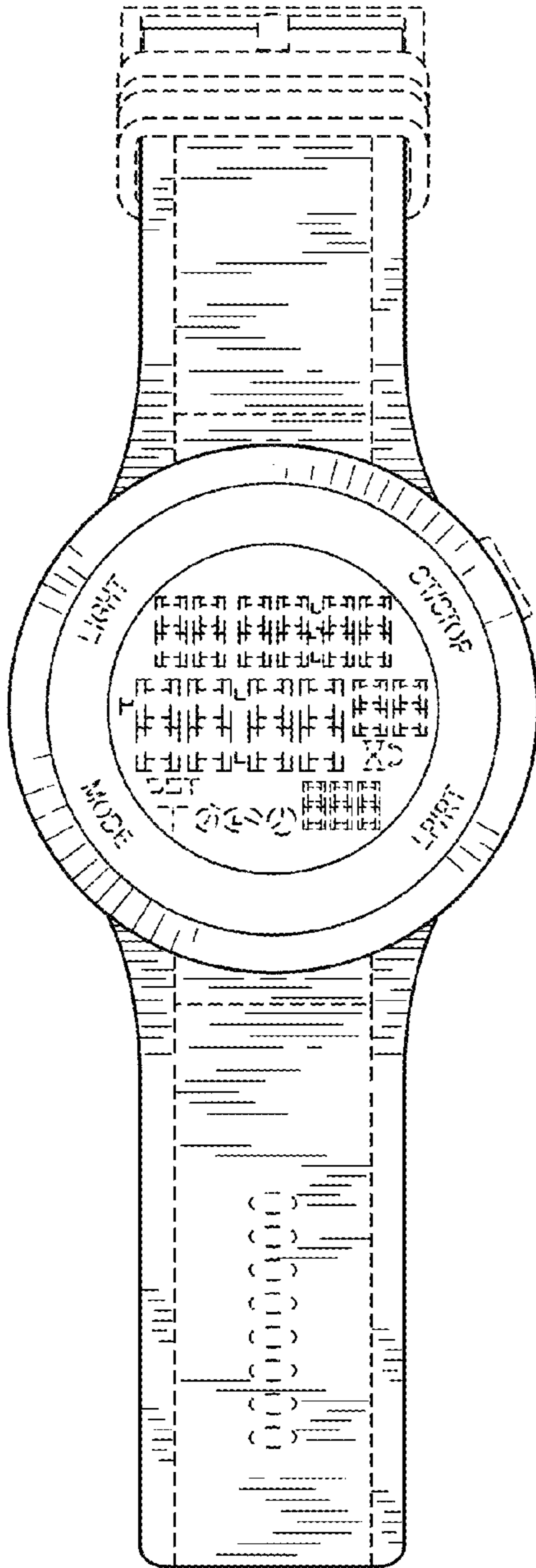


FIG. 1

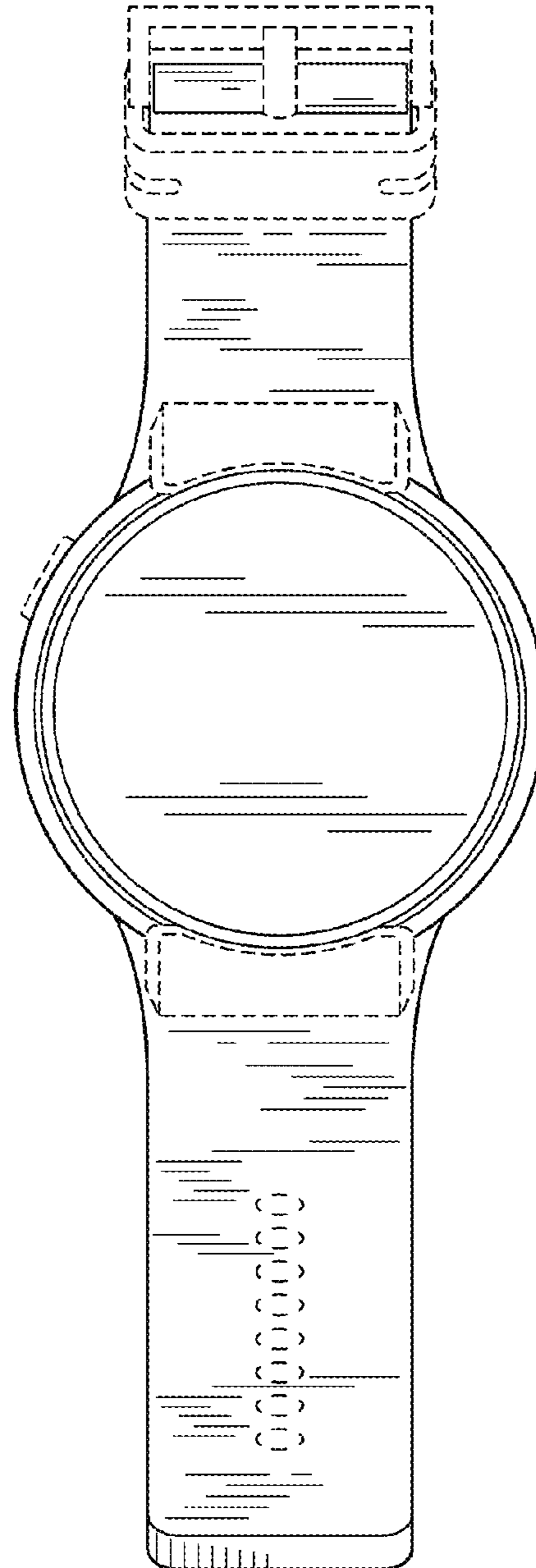


FIG. 5

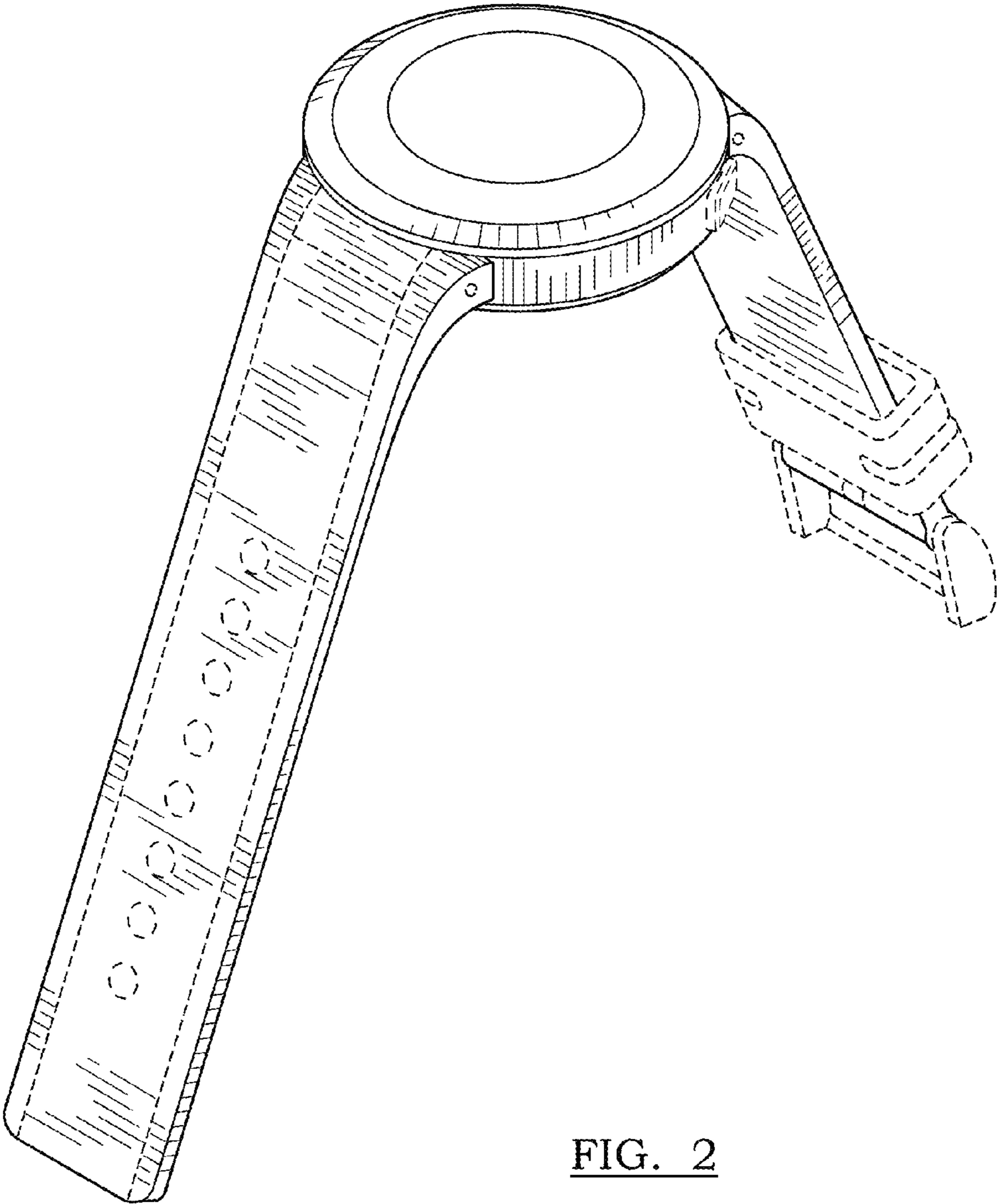


FIG. 2

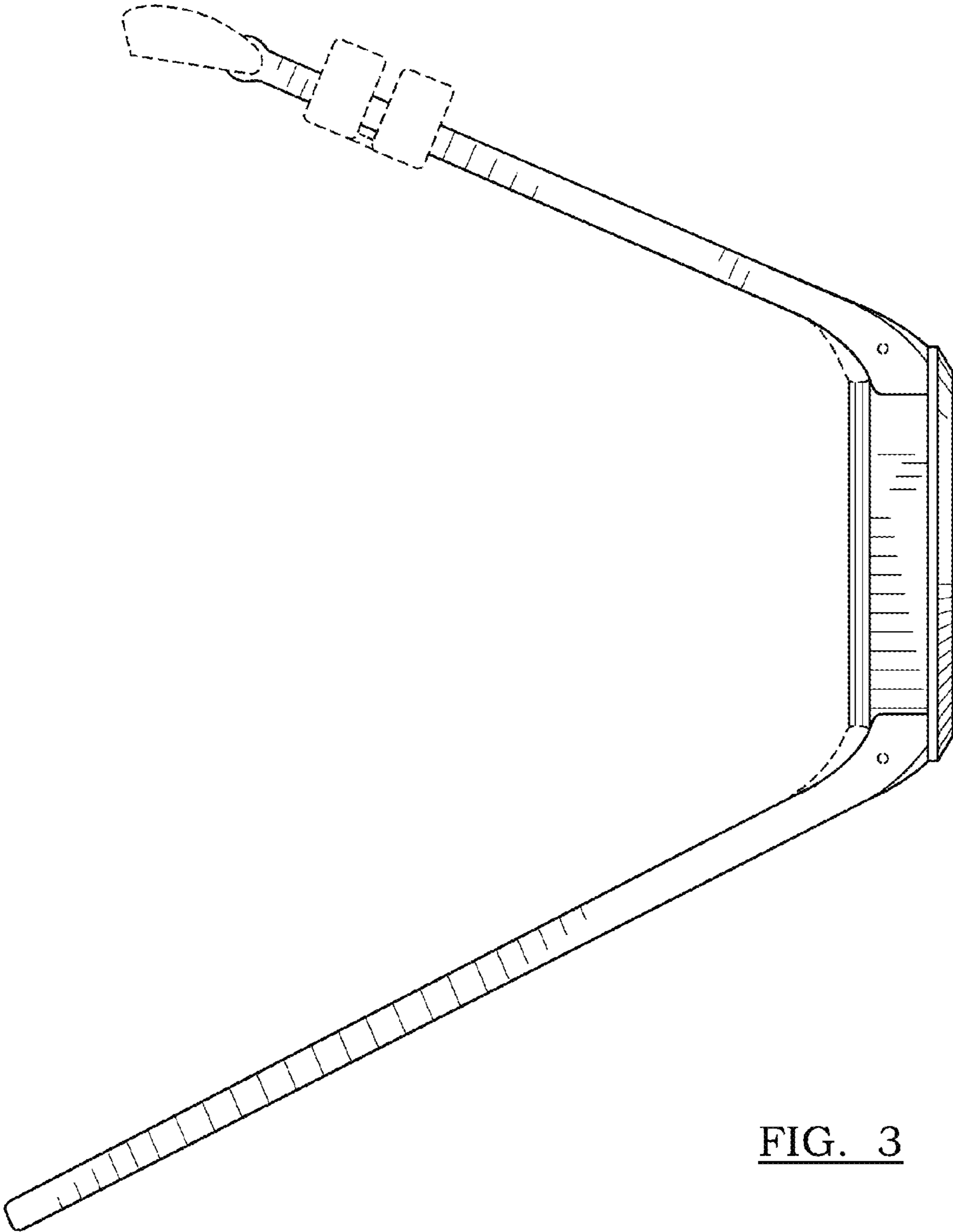


FIG. 3

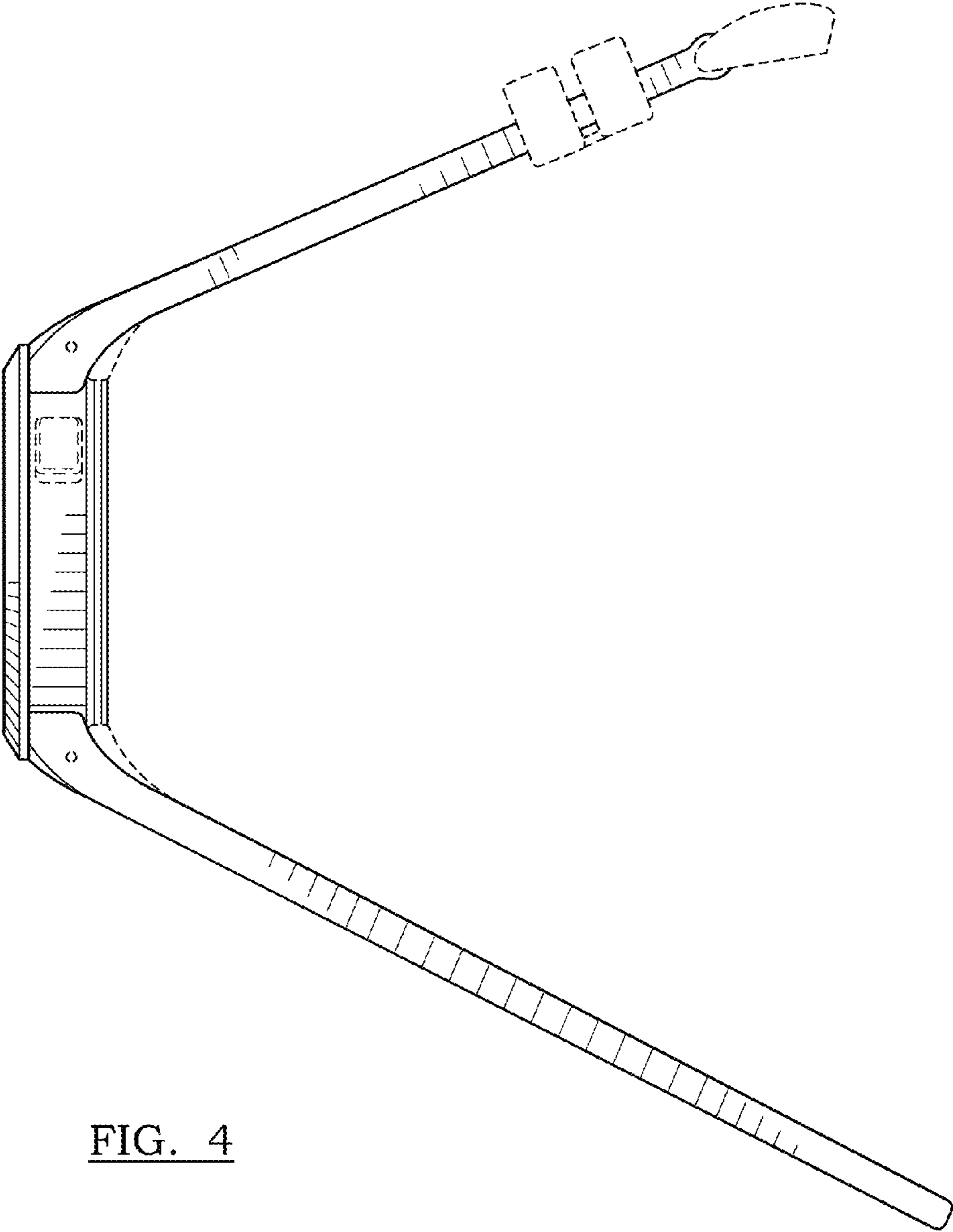


FIG. 4