



US00D701118S

(12) **United States Design Patent**  
**Klopp et al.**

(10) **Patent No.:** **US D701,118 S**  
(45) **Date of Patent:** **\*\* Mar. 18, 2014**

(54) **FEMININE-HYGIENE-PRODUCT PACKAGE**

(75) Inventors: **Nora Elena Klopp**, Cincinnati, OH (US); **Emma Sherras Bracey**, London (GB); **Guihong Sun**, Guangzhou (CN)

(73) Assignee: **The Procter and Gamble Company**, Cincinnati, OH (US)

(\*\*) Term: **14 Years**

(21) Appl. No.: **29/405,188**

(22) Filed: **Oct. 31, 2011**

(51) **LOC (10) Cl.** ..... **09-07**

(52) **U.S. Cl.**  
USPC ..... **D9/434**

(58) **Field of Classification Search**

USPC ..... D9/414, 415, 430-435, 457, 600, 652, D9/702, 713, 748; D20/10, 22, 23, 27, 28, D20/29, 40; 224/906; 206/457, 458, 525, 206/525.1, 784

See application file for complete search history.

(56) **References Cited**

**U.S. PATENT DOCUMENTS**

D477,999 S *	8/2003	Lloyd	.....	D9/414
D524,654 S *	7/2006	Harada et al.	.....	D9/457
D526,194 S *	8/2006	Hamuro et al.	.....	D9/432
D543,110 S *	5/2007	Harada et al.	.....	D9/457
D587,111 S *	2/2009	Seol et al.	.....	D9/432
D590,250 S *	4/2009	Seol	.....	D9/432
D590,251 S *	4/2009	Seol et al.	.....	D9/432
D590,252 S *	4/2009	Seol et al.	.....	D9/432
D590,253 S *	4/2009	Seol et al.	.....	D9/432
D599,201 S *	9/2009	Seol et al.	.....	D9/432
D600,548 S *	9/2009	Seol et al.	.....	D9/432
D608,636 S *	1/2010	Seol	.....	D9/432
D611,832 S *	3/2010	Champion et al.	.....	D9/600
D612,260 S *	3/2010	Champion	.....	D9/600
D612,261 S *	3/2010	Champion et al.	.....	D9/600

(Continued)

**OTHER PUBLICATIONS**

Picture of Always Ultra Normal Pads, Pads, 2 pages, www.gnpd.com.

(Continued)

*Primary Examiner* — Susan Bennett Hattan

*Assistant Examiner* — Vy Koenig

(74) *Attorney, Agent, or Firm* — Megan C. Hymore; Andrew J. Hagerty

(57) **CLAIM**

The ornamental design for a feminine-hygiene-product package, as shown and described.

**DESCRIPTION**

FIG. 1 is a perspective front view of an embodiment of a feminine-hygiene-product package embodying the new design;

FIG. 2 is a front view of the design shown in FIG. 1; and FIG. 3 is a back view of the design shown in FIG. 1; the top and bottom views are the same and are thus omitted; and FIG. 4 is a right side view of the design shown in FIG. 1; the left side view is the same and thus omitted; and

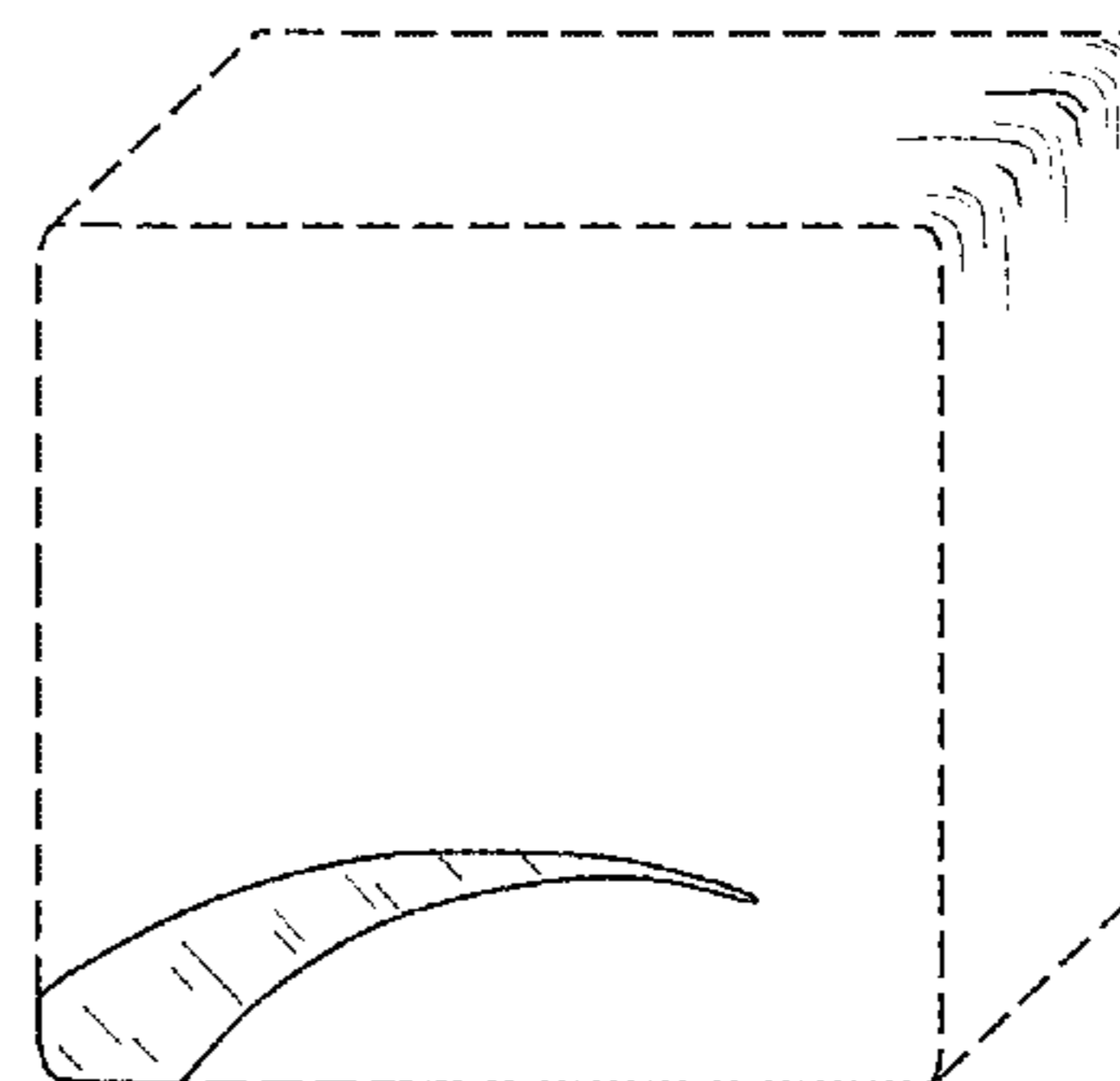
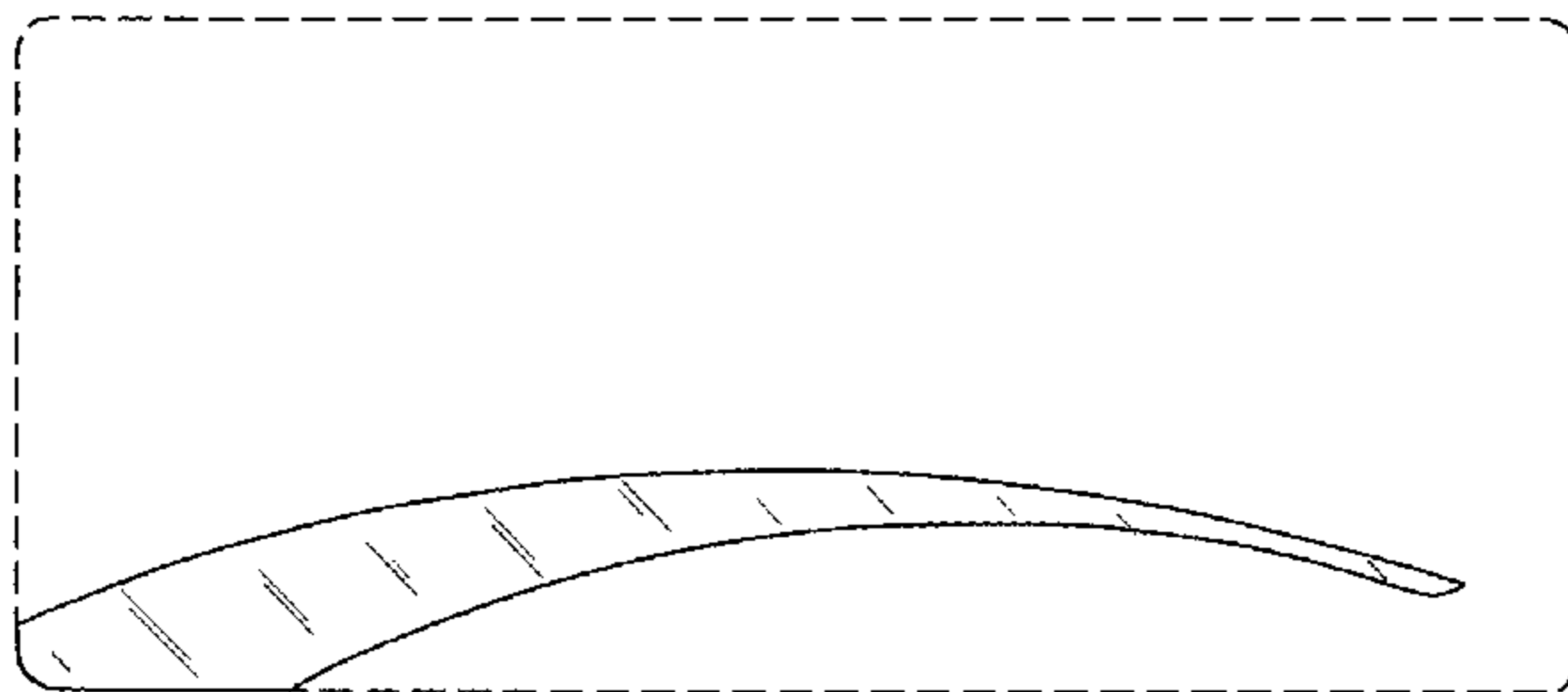
FIG. 5 is a perspective front view of an additional embodiment of a feminine-hygiene-product package embodying the new design; and

FIG. 6 is a front view of the design shown in FIG. 5; and, FIG. 7 is a right side view of the design shown in FIG. 5; the left side, top, bottom, and back views are the same and thus omitted.

Broken lines and long dash and dot lines shown in the figures depict environmental features of the feminine-hygiene-product package that form no part of the claimed design.

Further embodiments of the claimed design include the mirror images of the embodiments described above.

**1 Claim, 3 Drawing Sheets**



# US D701,118 S

Page 2

---

(56)

## References Cited

### U.S. PATENT DOCUMENTS

D633,566 S \* 3/2011 Hill et al. .... D20/10  
D633,568 S \* 3/2011 Hill et al. .... D20/10  
D649,874 S \* 12/2011 Barclay et al. .... D9/432  
D651,512 S \* 1/2012 Eaton et al. .... D9/435  
D654,370 S \* 2/2012 Campbell et al. .... D9/643

D666,091 S \* 8/2012 Klopp et al. .... D9/434  
D669,793 S \* 10/2012 Hynes et al. .... D9/702

### OTHER PUBLICATIONS

Picture of Always Super Long Pads with Flexi Wings, Pads, 2 pages,  
[www.gnpd.com](http://www.gnpd.com).

\* cited by examiner

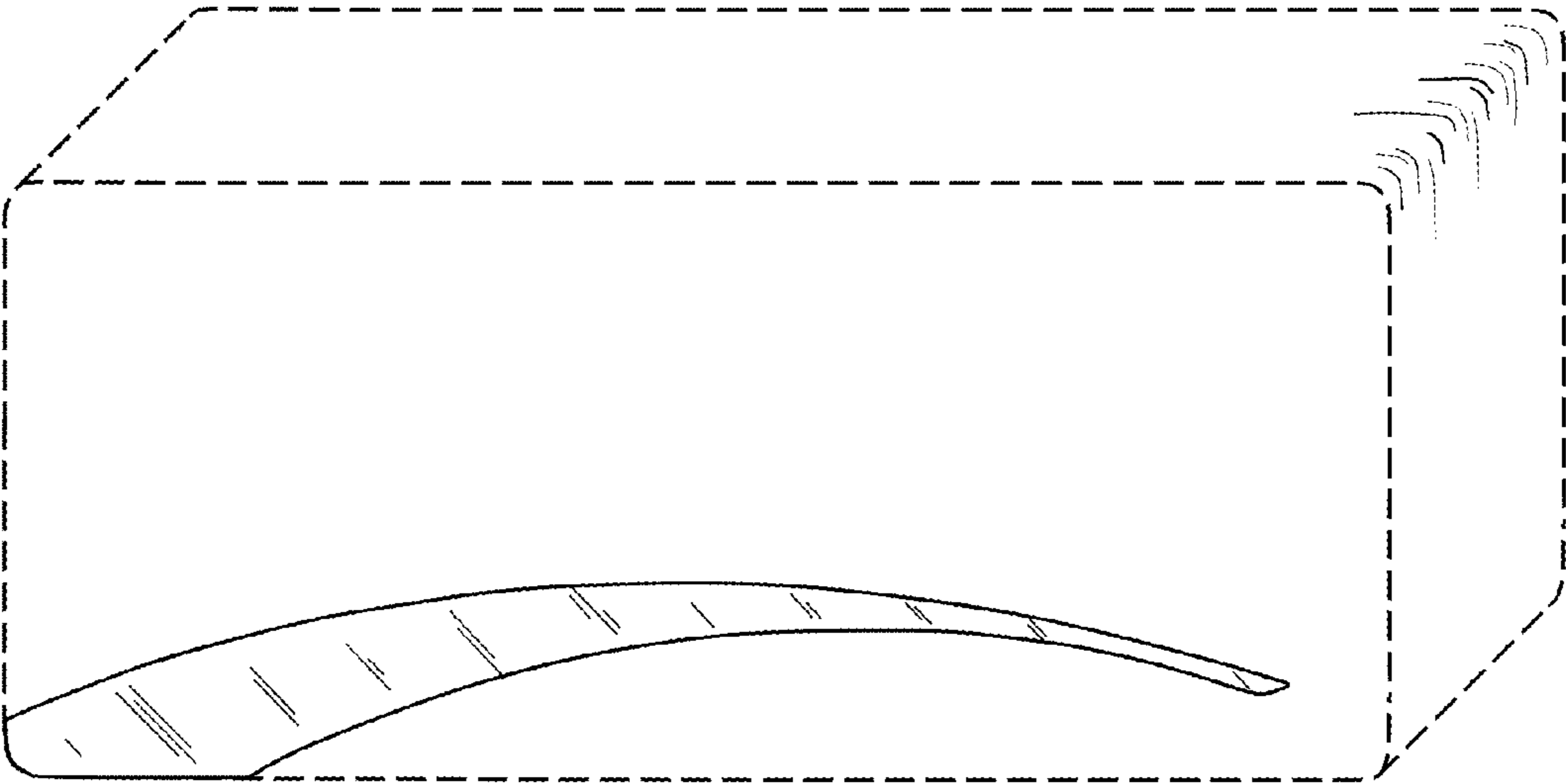


FIG. 1

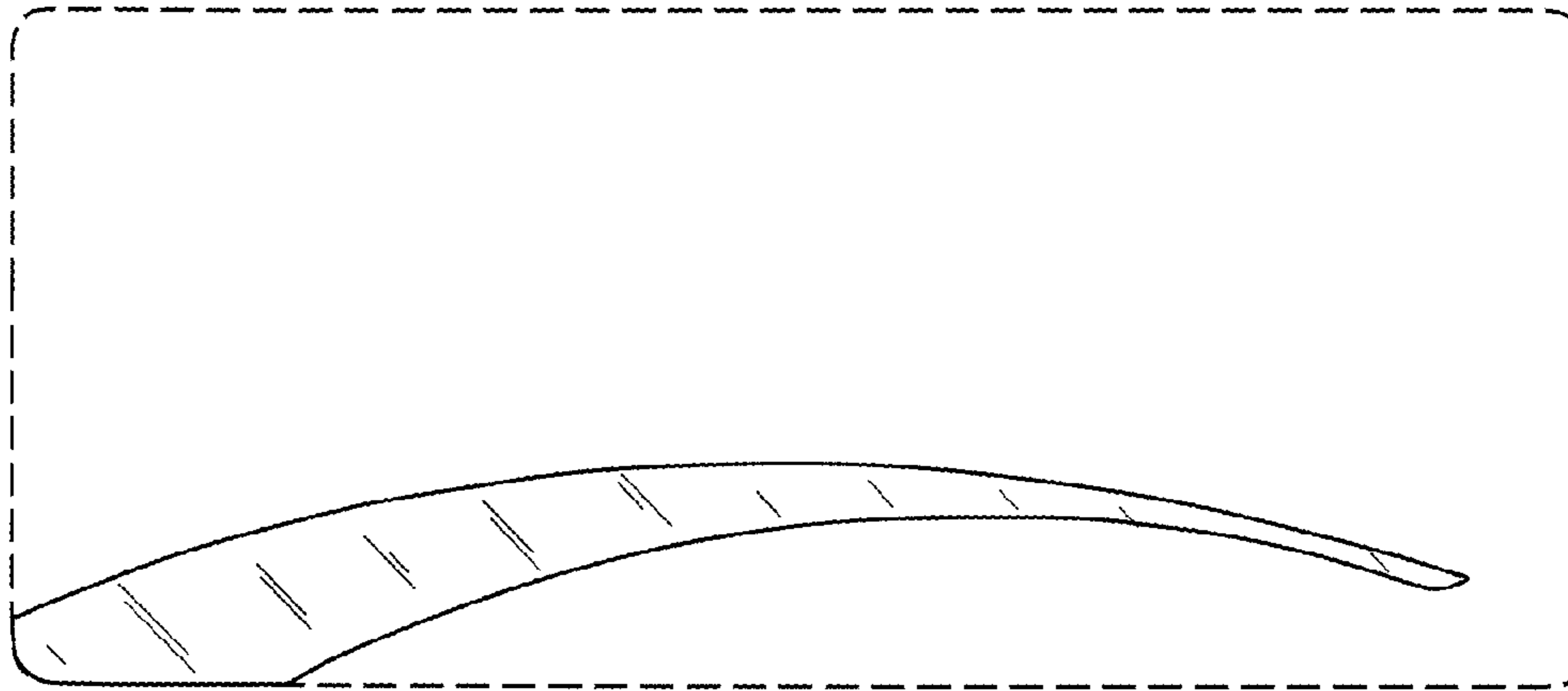


FIG. 2



FIG. 3

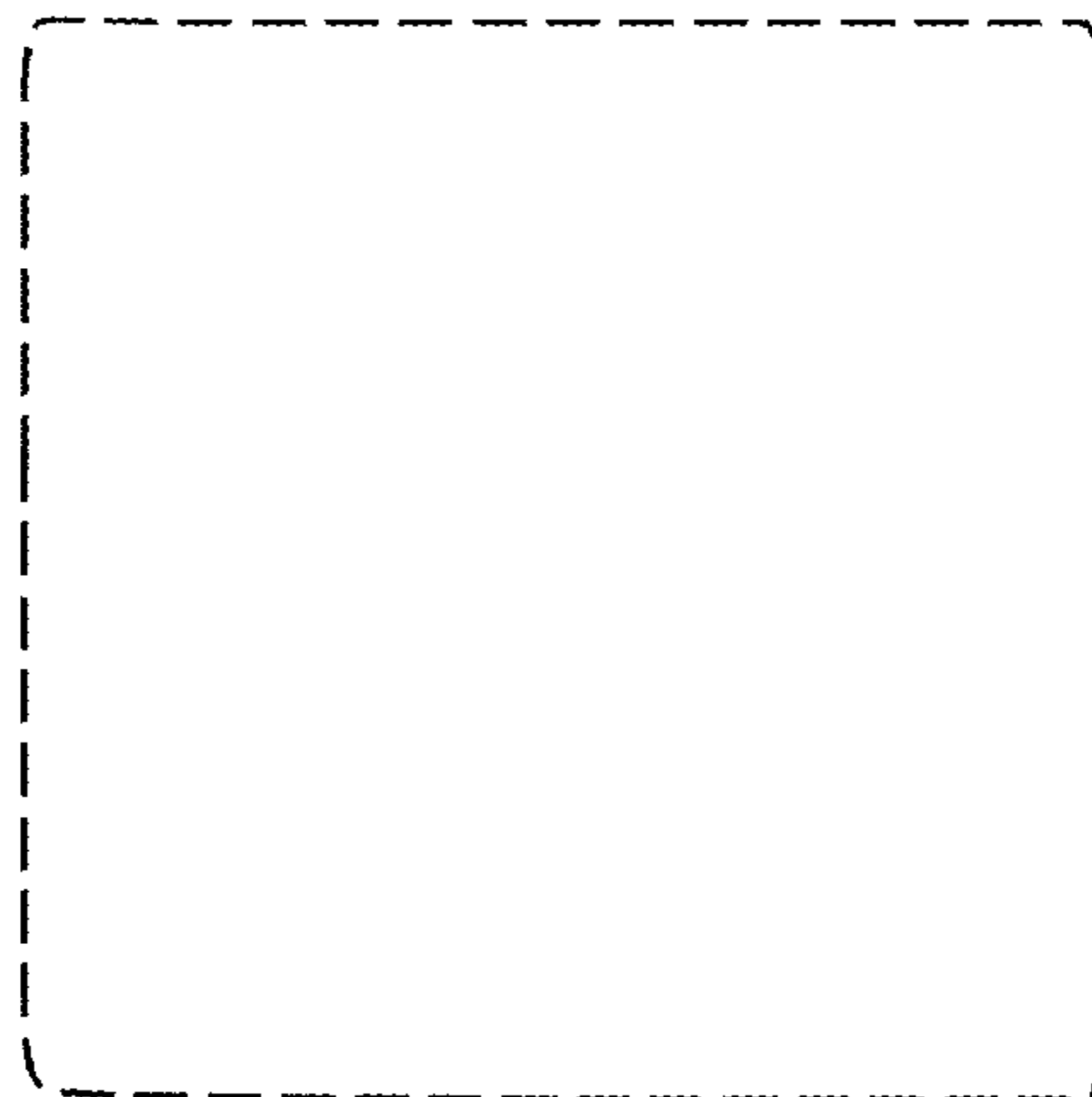


FIG. 4

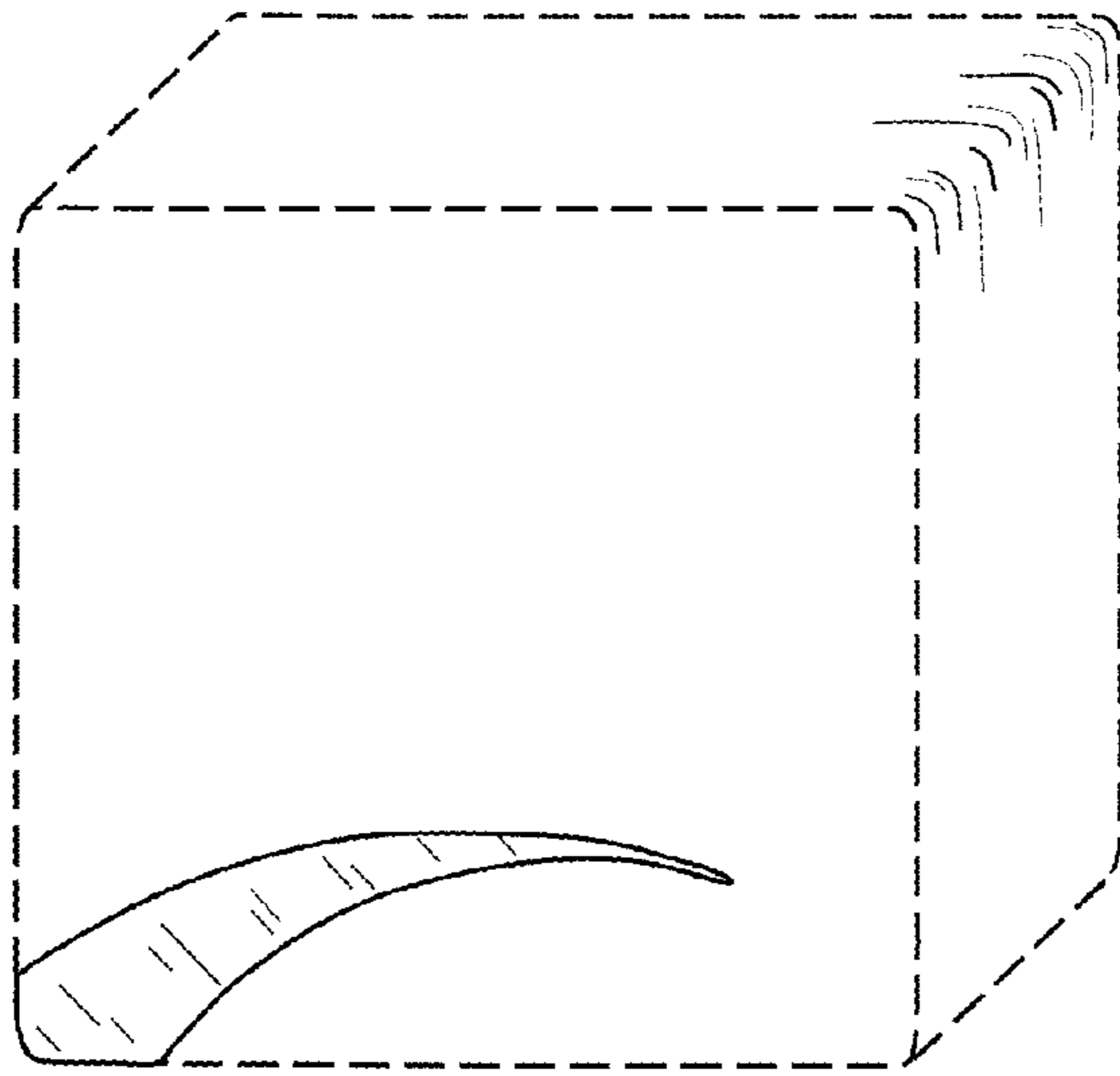


FIG. 5

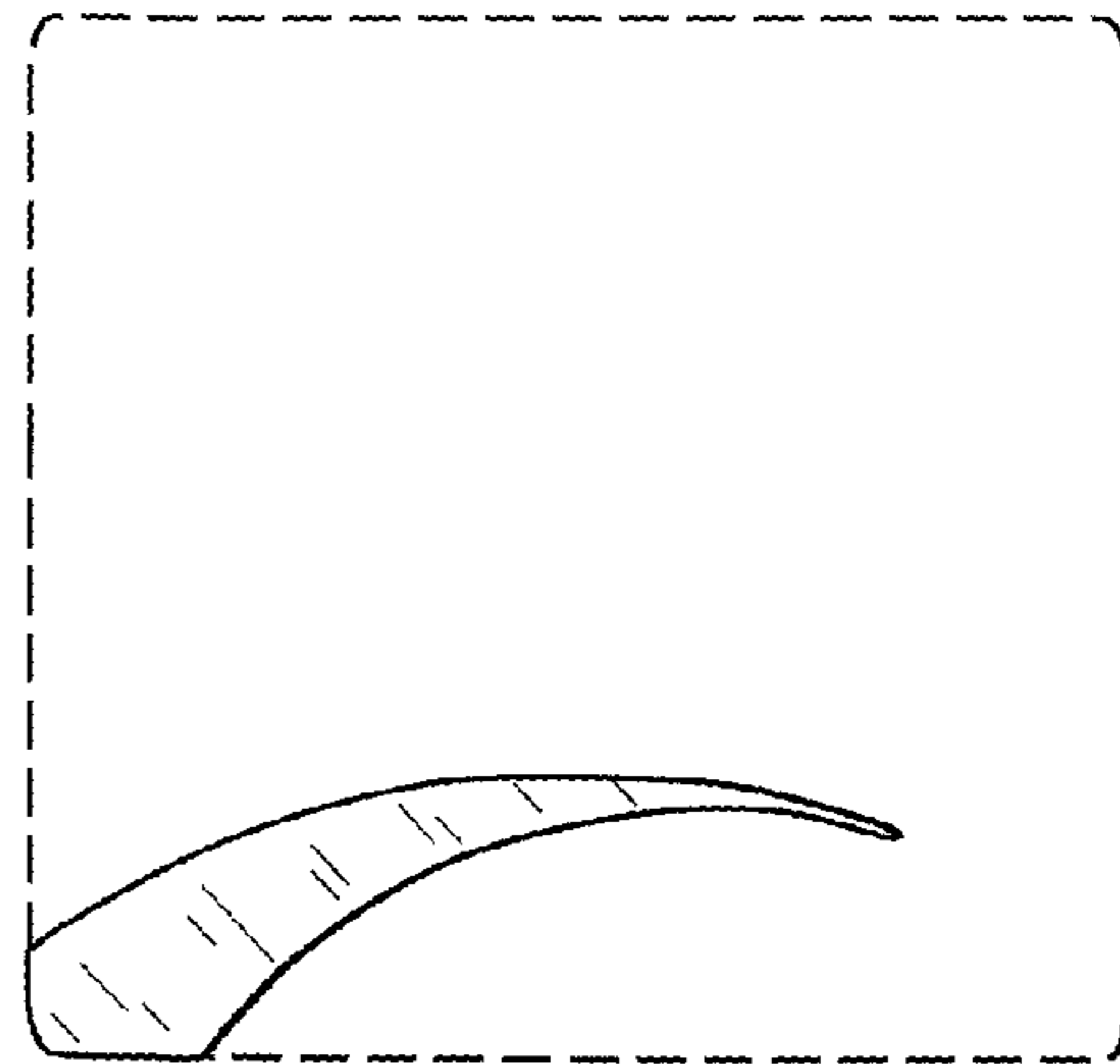


FIG. 6

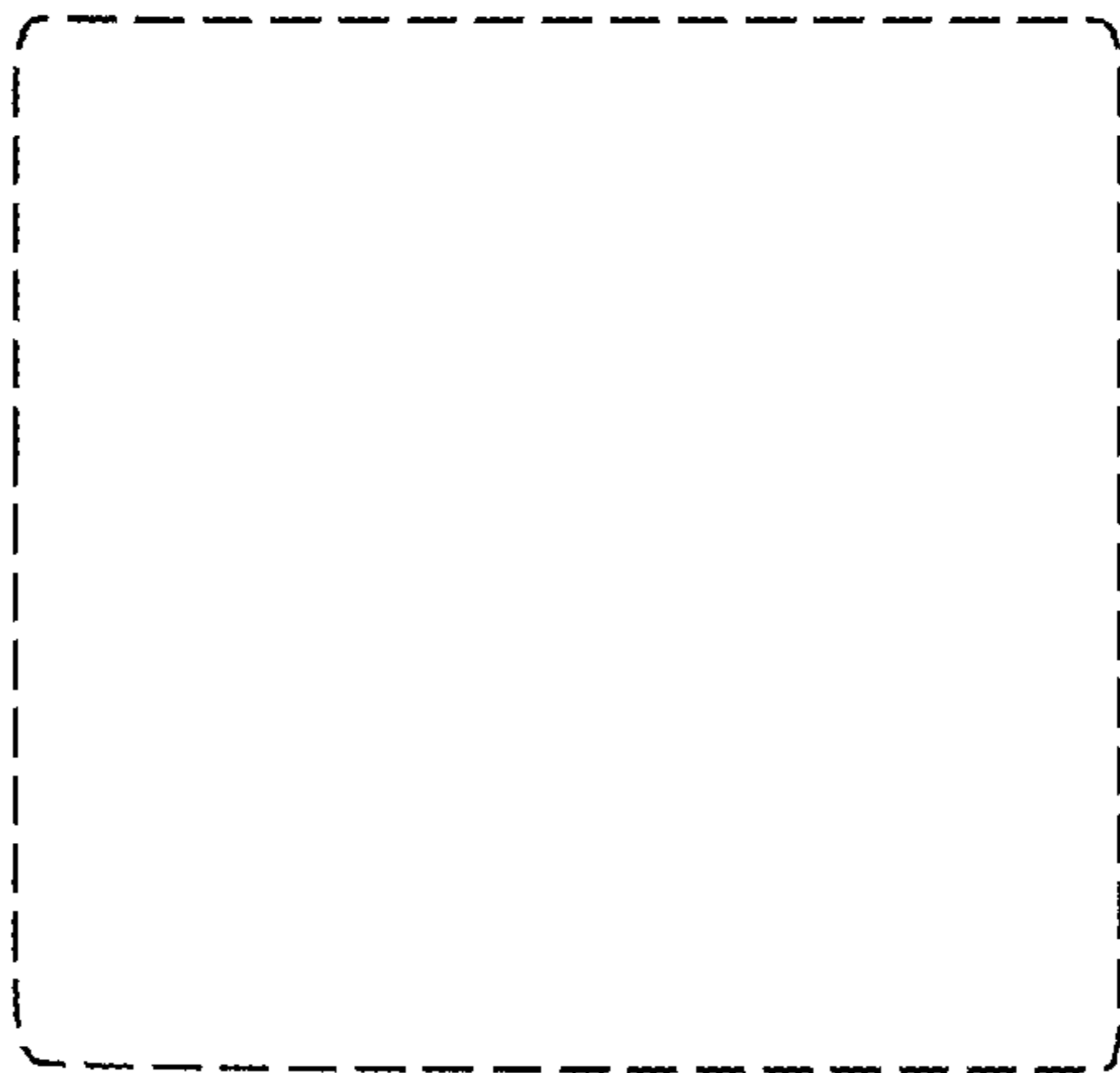


FIG. 7