



US00D701117S

(12) **United States Design Patent**  
**Tognetti**

(10) **Patent No.:** **US D701,117 S**  
(45) **Date of Patent:** **\*\* Mar. 18, 2014**

(54) **FOOD BOX**

(71) Applicant: **Jeffrey Tognetti**, Edgewater, NJ (US)

(72) Inventor: **Jeffrey Tognetti**, Edgewater, NJ (US)

(\*\*) Term: **14 Years**

(21) Appl. No.: **29/451,896**

(22) Filed: **Apr. 10, 2013**

(51) **LOC (10) Cl.** ..... **09-03**

(52) **U.S. Cl.**  
USPC ..... **D9/432**

(58) **Field of Classification Search**  
USPC ..... D9/414, 416, 418, 420-424, 430-434,  
D9/455-456; D3/272, 273, 294-296, 302;  
206/267, 269, 270, 273, 299, 737, 740,  
206/822; 229/100, 101, 101.3, 106,  
229/108-122; D7/601-603  
See application file for complete search history.

(56) **References Cited**

**U.S. PATENT DOCUMENTS**

D378,661 S \* 4/1997 Campbell-Scott ..... D9/432  
D383,064 S \* 9/1997 Tsukikawa ..... D9/432  
D412,114 S \* 7/1999 Hansen ..... D9/416

D430,489 S \* 9/2000 Bowers et al. .... D9/416  
D511,091 S \* 11/2005 Liwag ..... D9/418  
D553,494 S \* 10/2007 Dehlin ..... D9/432  
D580,263 S \* 11/2008 Yi Man ..... D9/432  
D584,052 S \* 1/2009 Tseng ..... D3/295

\* cited by examiner

*Primary Examiner* — Susan Bennett Hattan

*Assistant Examiner* — Vy Koenig

(74) *Attorney, Agent, or Firm* — Michael J. Feigin, Esq.;  
Feigin & Associates, LLC

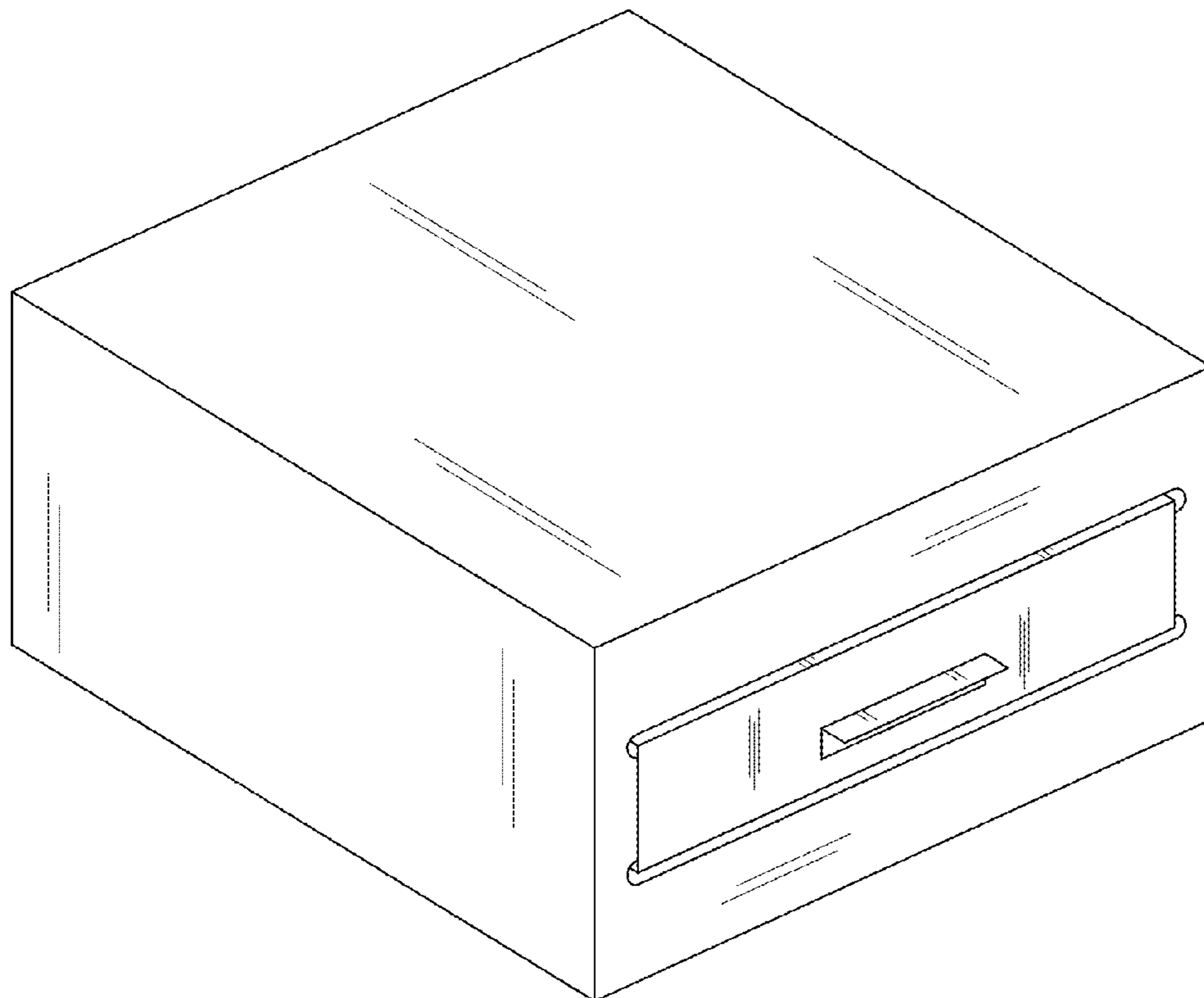
(57) **CLAIM**

The ornamental design for the food box, as shown and described.

**DESCRIPTION**

FIG. 1 shows a top perspective view of the food box with inserted wrapper.  
FIG. 2 shows a bottom perspective view of the box.  
FIG. 3 shows a back side elevation view of the box.  
FIG. 4 shows a side elevation view of the box, the reverse side being a mirror image thereof.  
FIG. 5 shows the front side elevation view of the box.  
FIG. 6 shows a top plan view of the box; and,  
FIG. 7 shows a bottom plan view of the box.

**1 Claim, 7 Drawing Sheets**



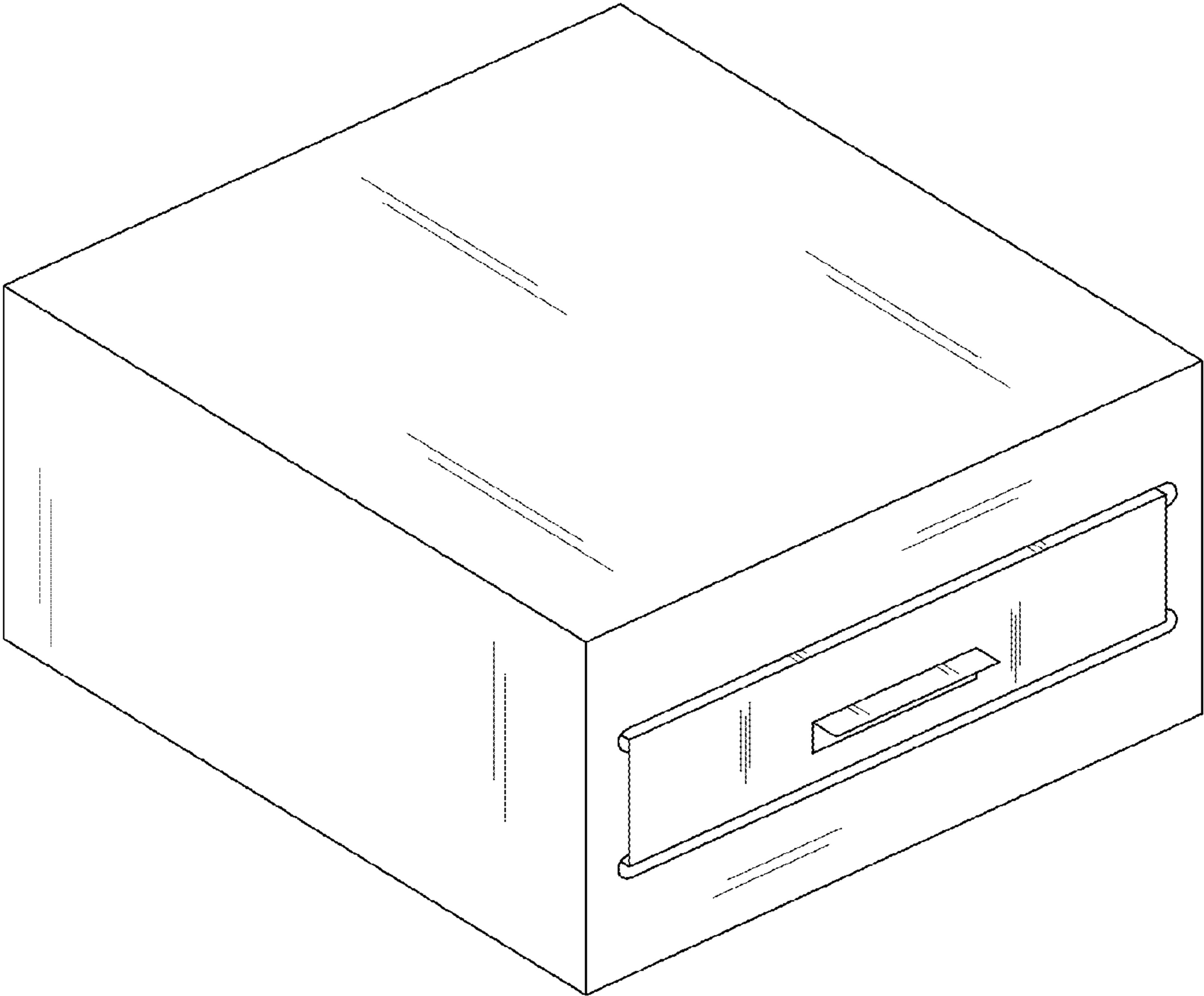


FIG. 1

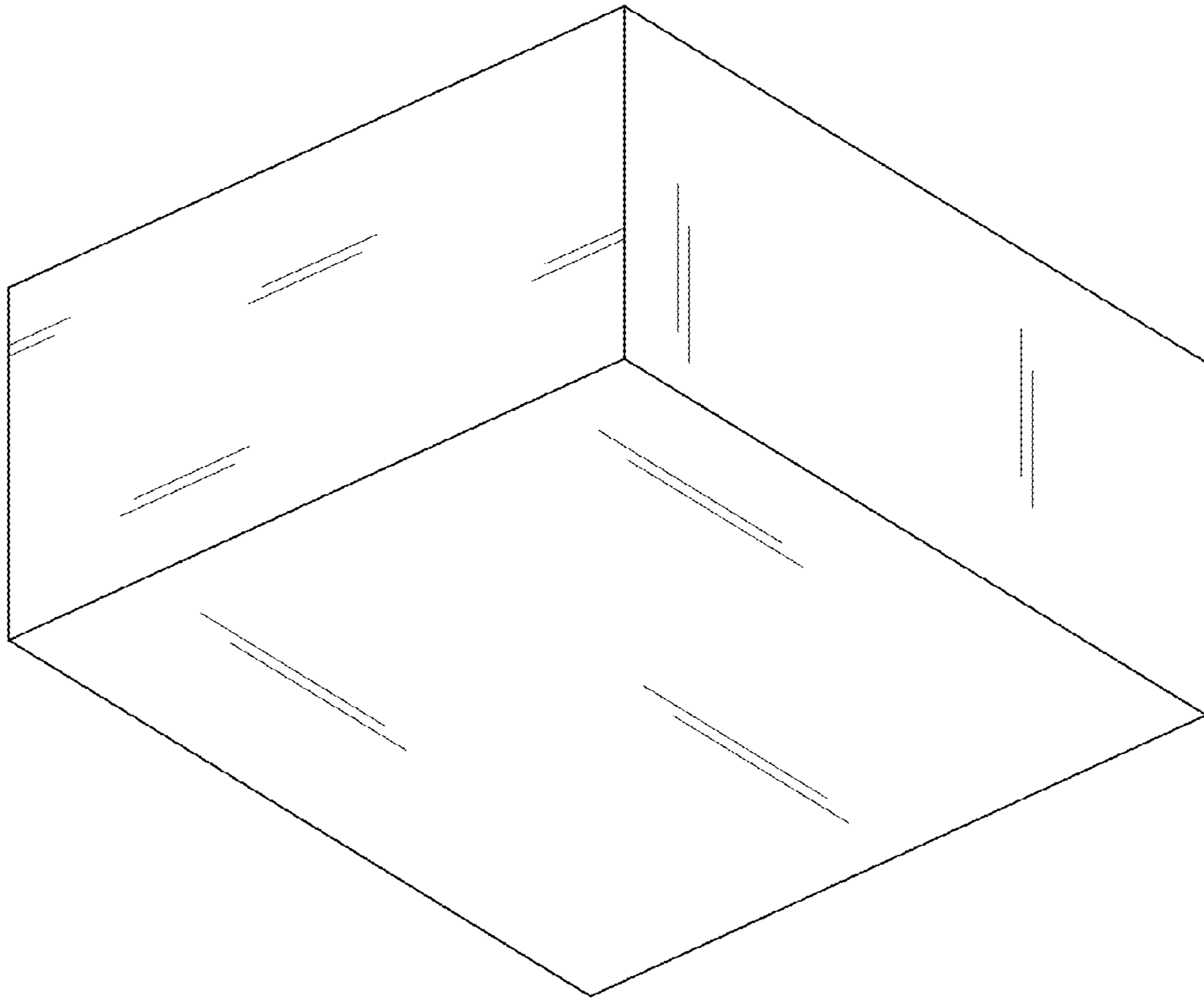


FIG. 2

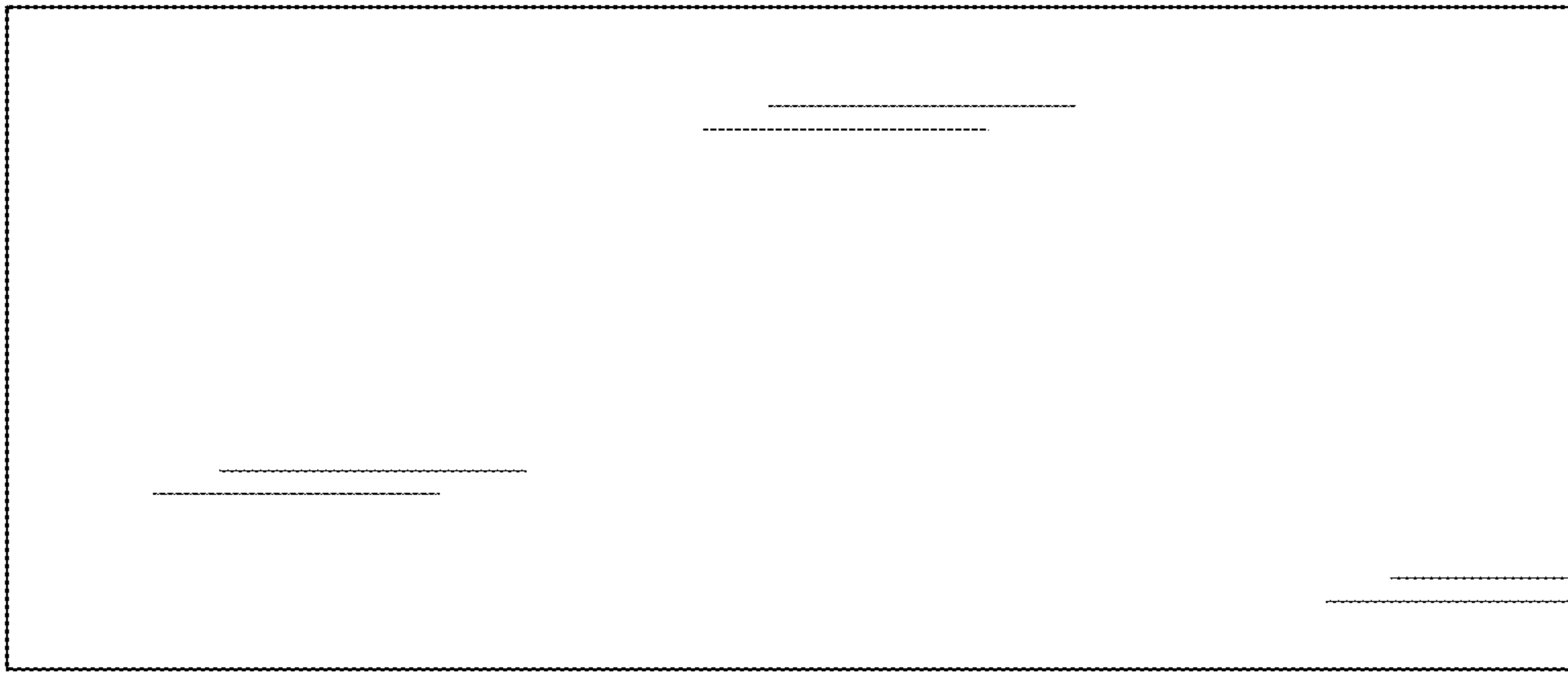


FIG. 3

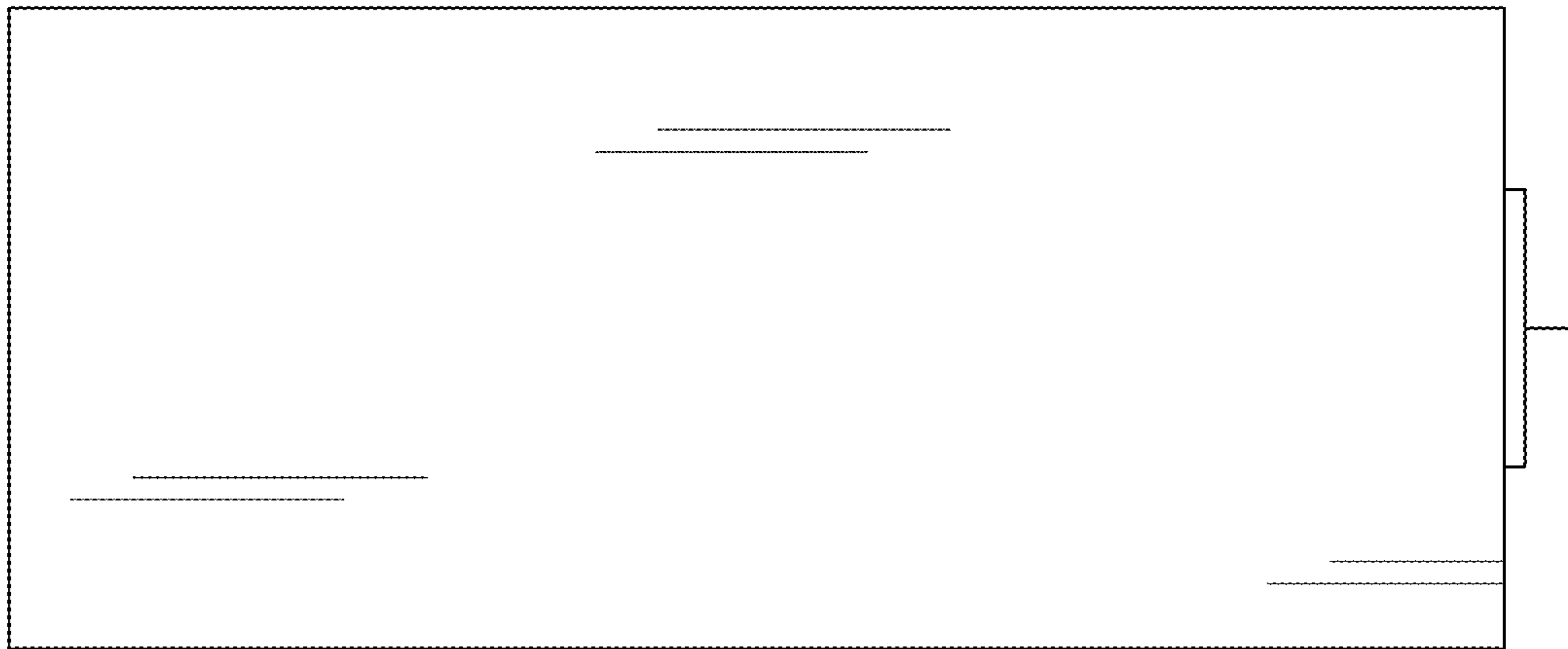


FIG. 4

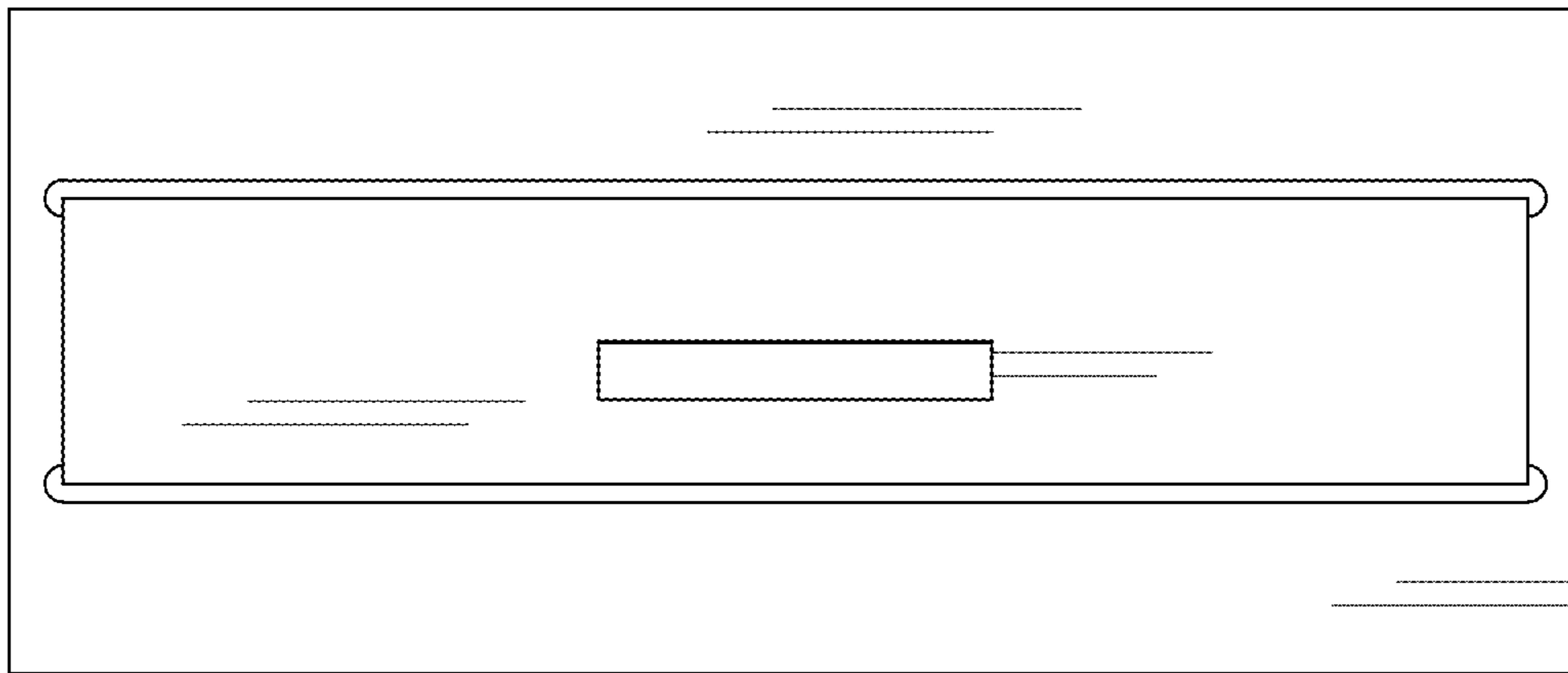


FIG. 5

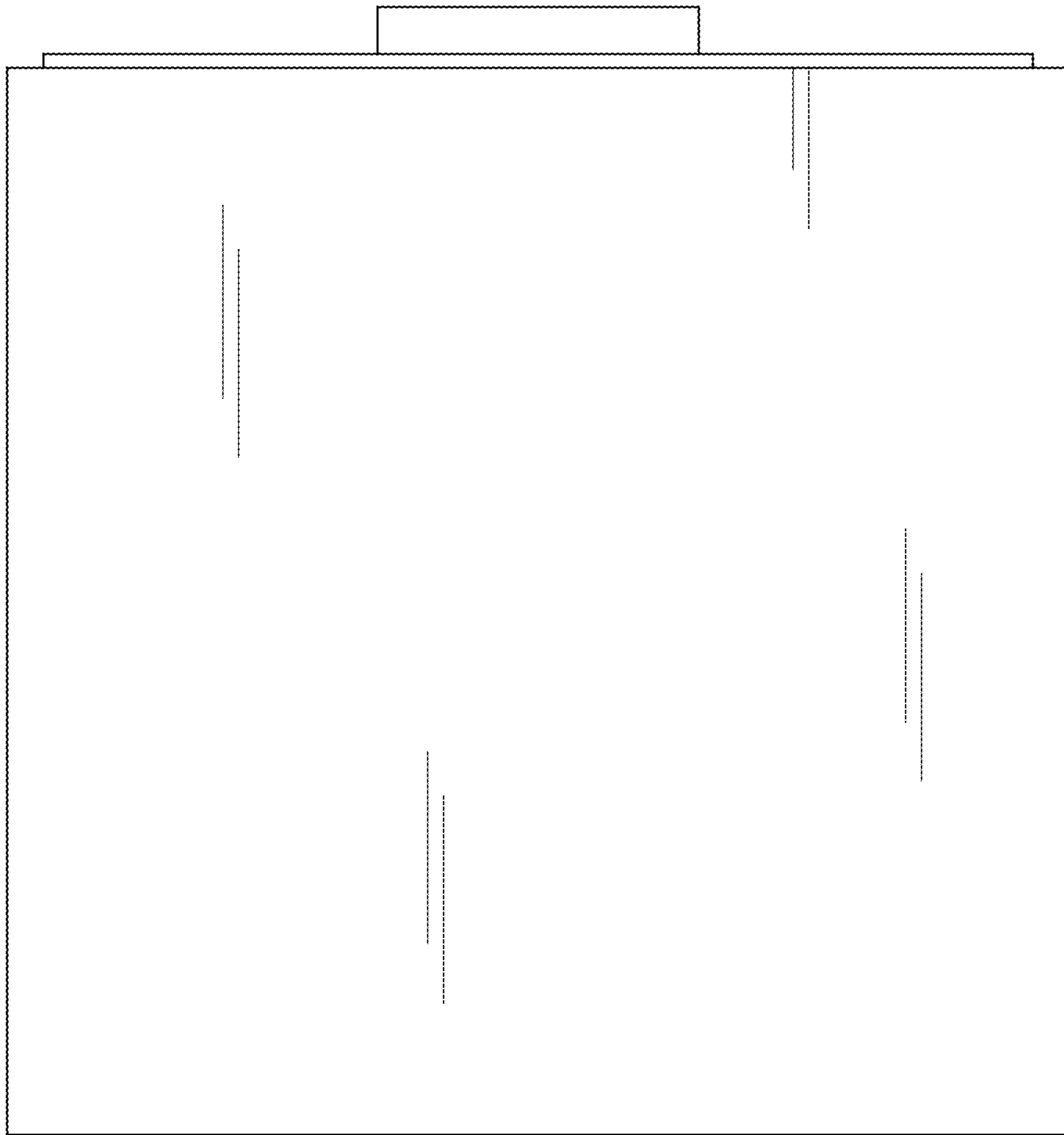


FIG. 6

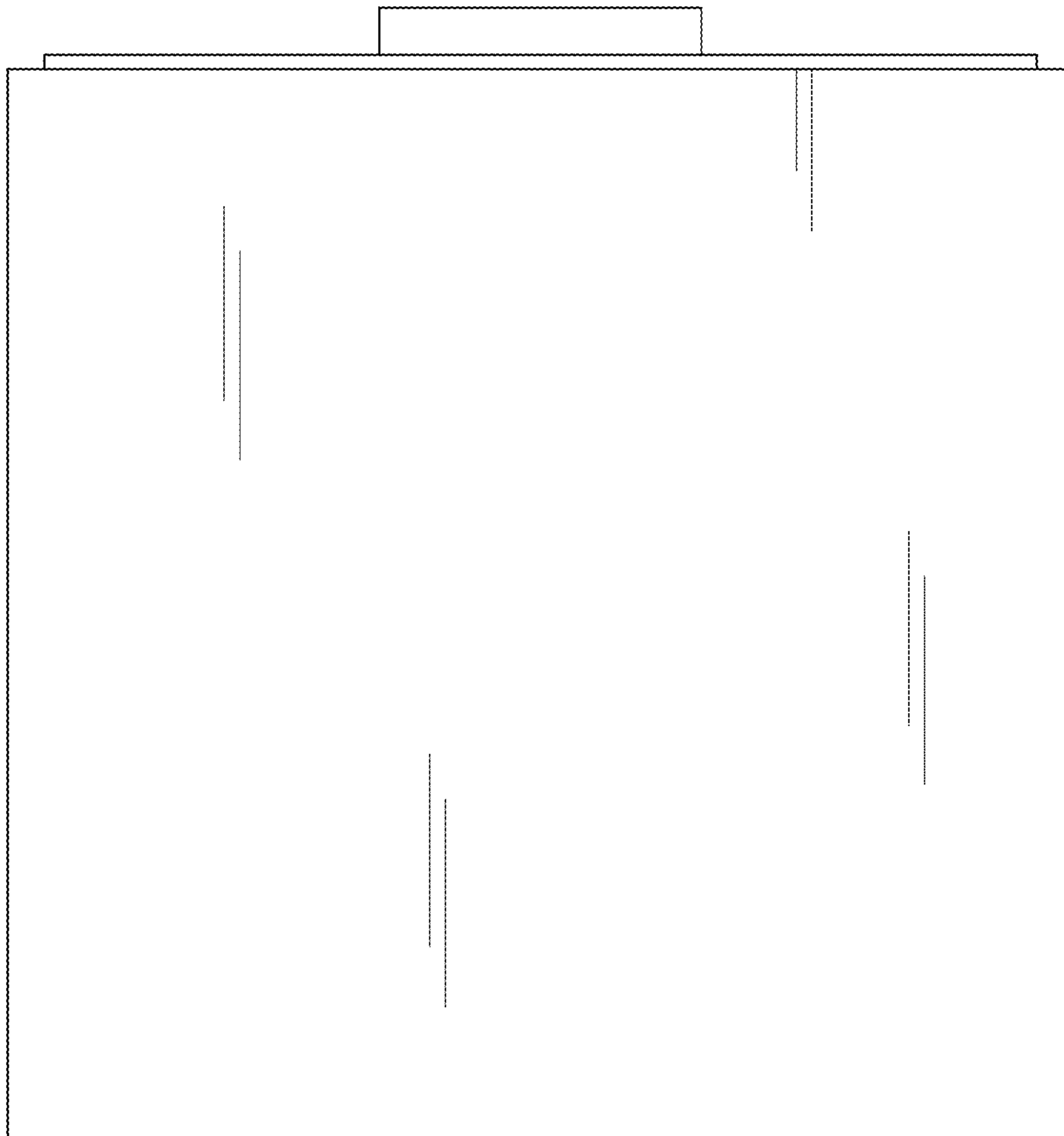


FIG. 7