



US00D701116S

(12) **United States Design Patent**
Ambelang et al.

(10) **Patent No.:** **US D701,116 S**
(45) **Date of Patent:** **** Mar. 18, 2014**

(54) **FOOD CONTAINER**

(71) Applicants: **Bryant P. Ambelang**, San Antonio, TX
(US); **Kathryn Ault**, San Antonio, TX
(US); **Emilio Fuentes**, Zapopan (MX)

(72) Inventors: **Bryant P. Ambelang**, San Antonio, TX
(US); **Kathryn Ault**, San Antonio, TX
(US); **Emilio Fuentes**, Zapopan (MX)

(73) Assignee: **NatureSweet, Ltd.**, San Antonio, TX
(US)

(**) Term: **14 Years**

(21) Appl. No.: **29/437,761**

(22) Filed: **Nov. 20, 2012**

(51) **LOC (10) Cl.** **09-03**

(52) **U.S. Cl.**

USPC **D9/427; D9/416**

(58) **Field of Classification Search**

USPC D9/414, 416, 418, 419, 424, 425, 428,
D9/429, 430, 444, 451, 452; D7/602, 608,
D7/613, 629; 206/457, 775, 776, 782, 815;
220/4.25, 4.27, 796

See application file for complete search history.

(56) **References Cited**

U.S. PATENT DOCUMENTS

D547,178 S * 7/2007 Shaver et al. D9/428
D562,678 S * 2/2008 Shaver et al. D9/428

D621,699 S * 8/2010 Shaver et al. D9/428
D628,477 S * 12/2010 Shaver et al. D9/428
D628,478 S 12/2010 Snedden et al.
D628,479 S 12/2010 Snedden et al.
D640,550 S 6/2011 Snedden et al.
D660,144 S * 5/2012 Shaver et al. D9/429
D672,231 S 12/2012 Snedden et al.
D672,232 S * 12/2012 Shaver et al. D9/429

* cited by examiner

Primary Examiner — Thomas Johannes

(74) *Attorney, Agent, or Firm* — Fulbright & Jaworski LLP

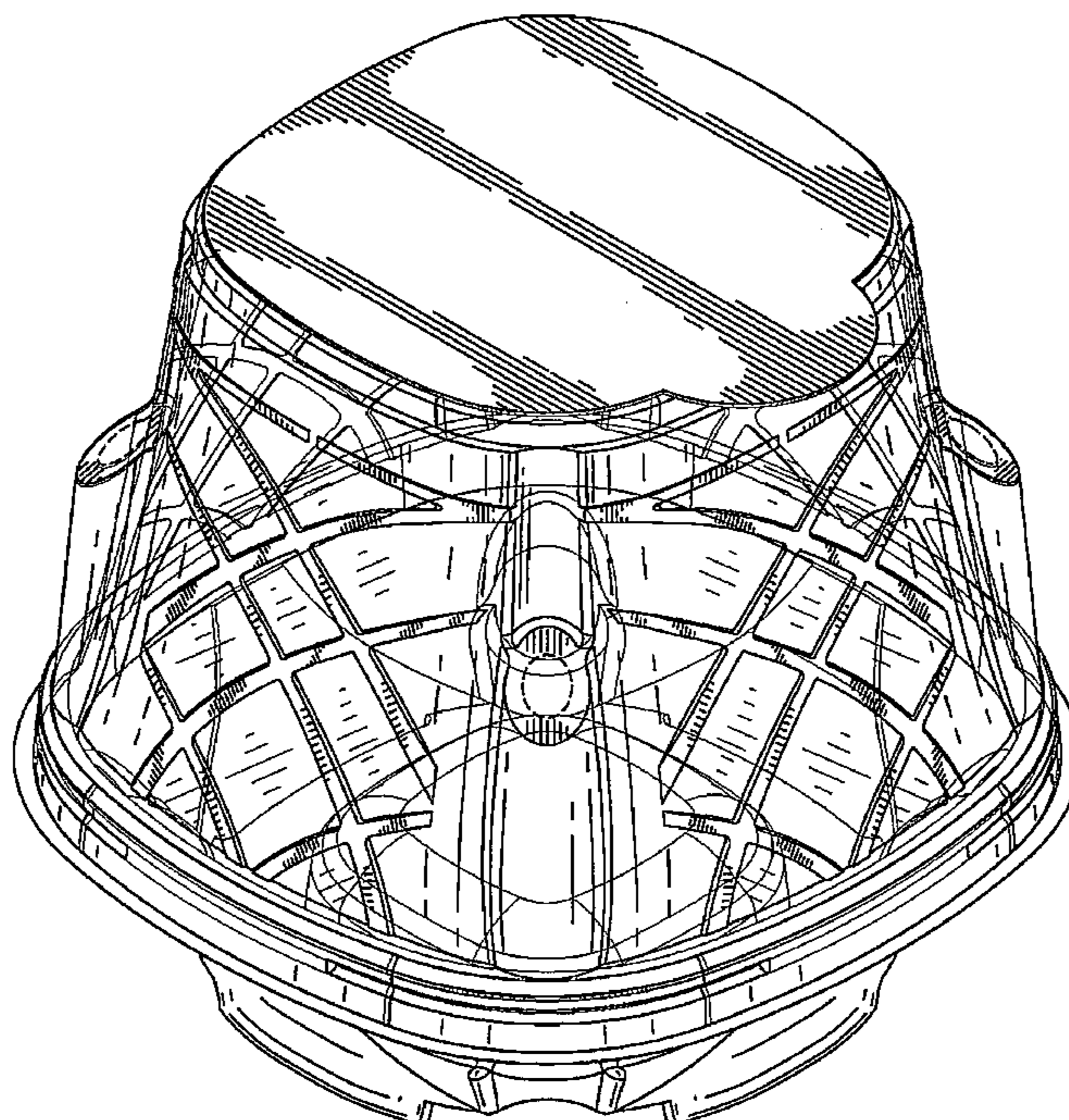
(57) **CLAIM**

The ornamental design for a food container, as shown and described.

DESCRIPTION

FIG. 1 is a front perspective view of a food container showing our new design;
FIG. 2 is a front elevation view thereof;
FIG. 3 is a back elevation view thereof;
FIG. 4 is a right elevation view thereof;
FIG. 5 is a left elevation view thereof;
FIG. 6 is a top plan view thereof; and,
FIG. 7 is a bottom plan view thereof.
The broken line portion of the figure drawings is included to show unclaimed subject matter only and forms no part of the claimed design.

1 Claim, 7 Drawing Sheets



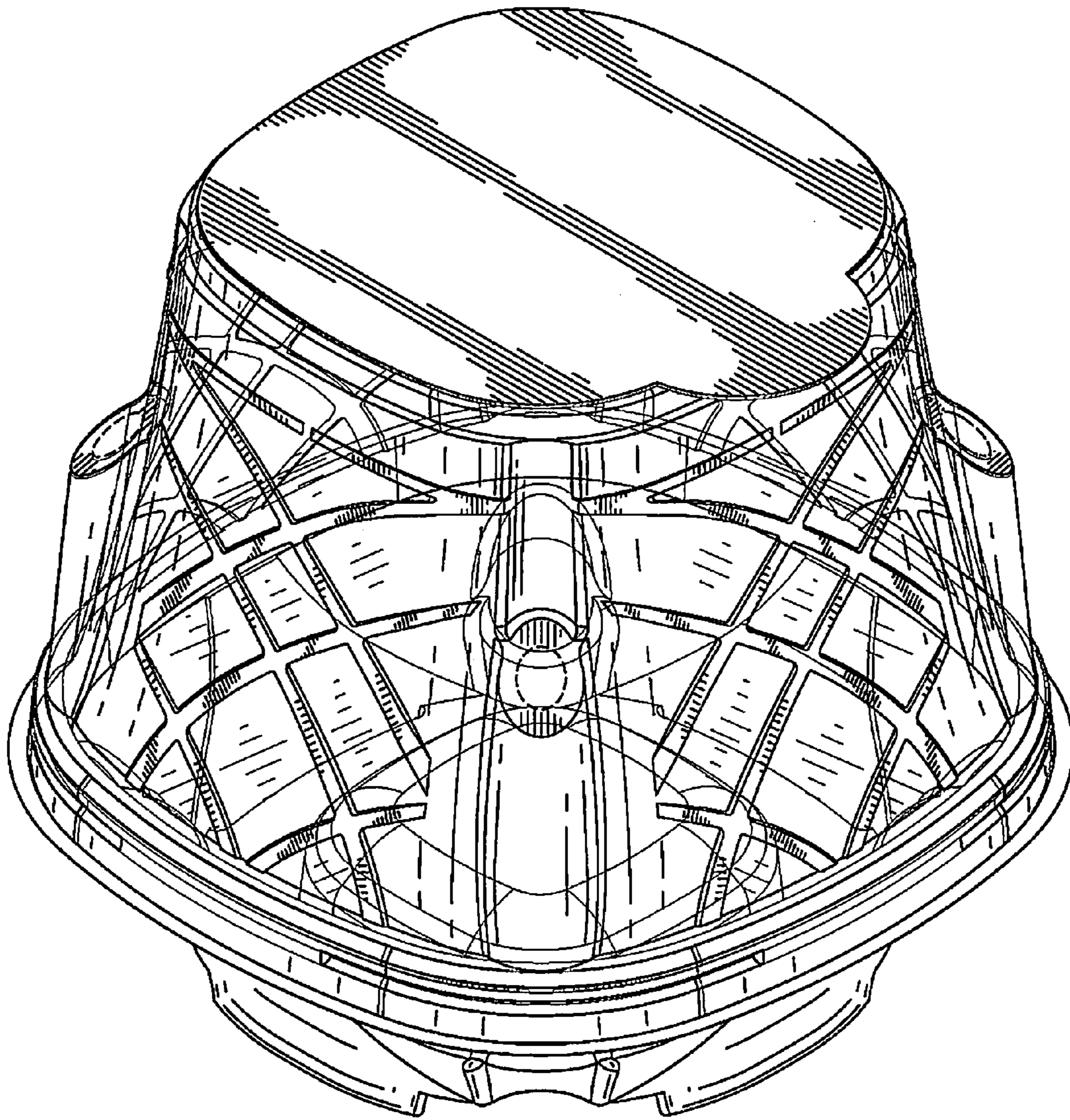


FIG. 1

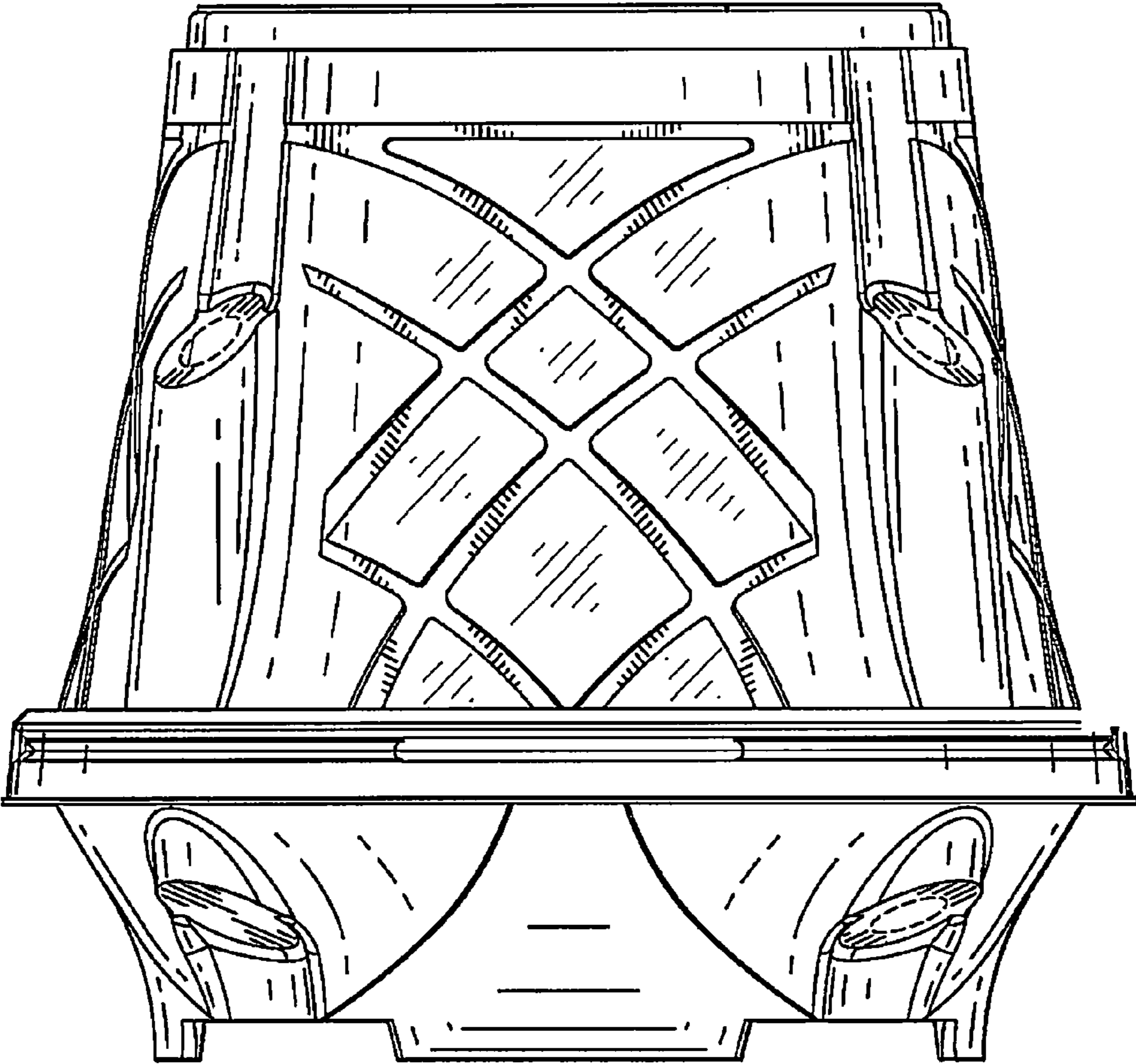


FIG. 2

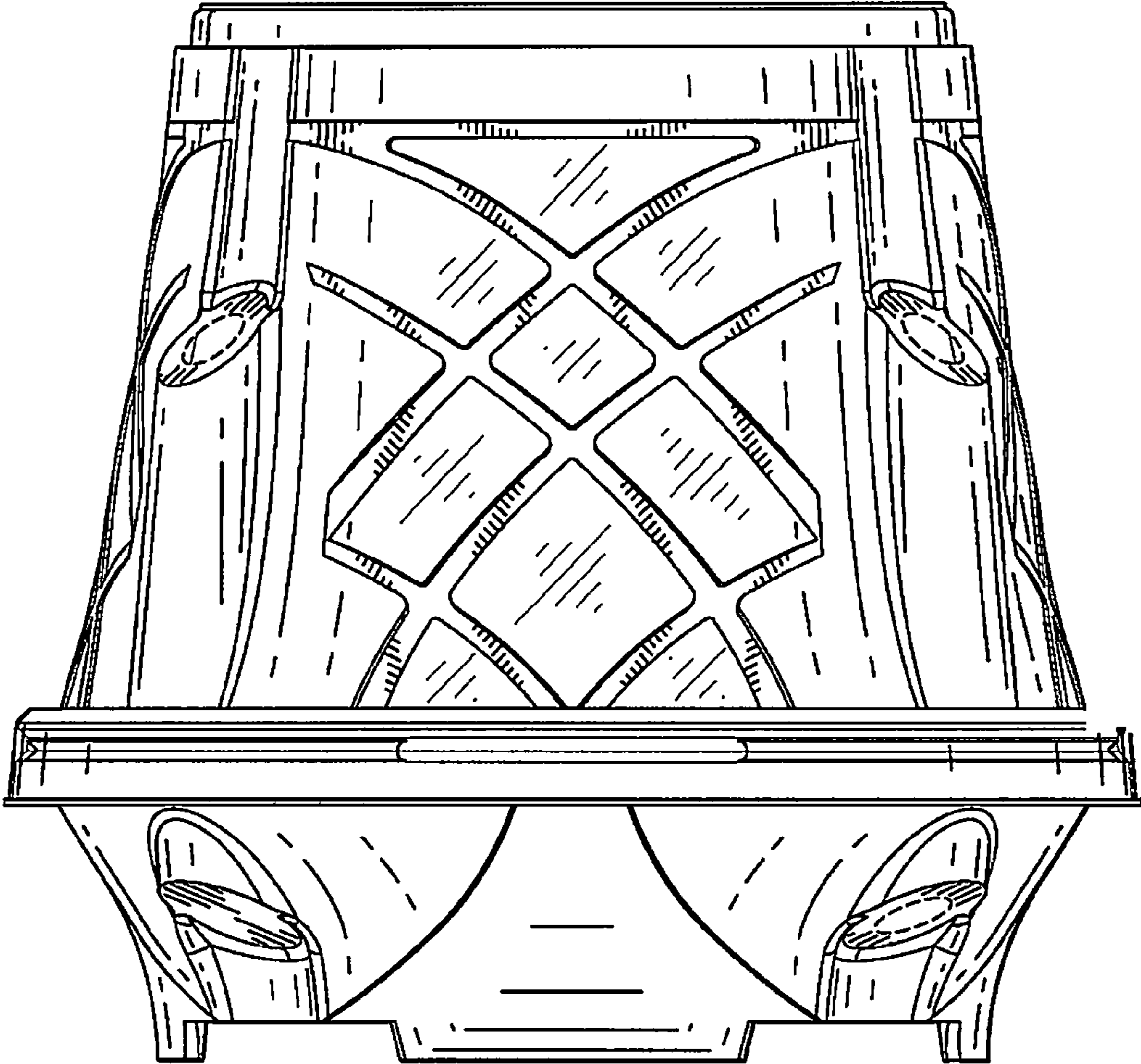


FIG. 3

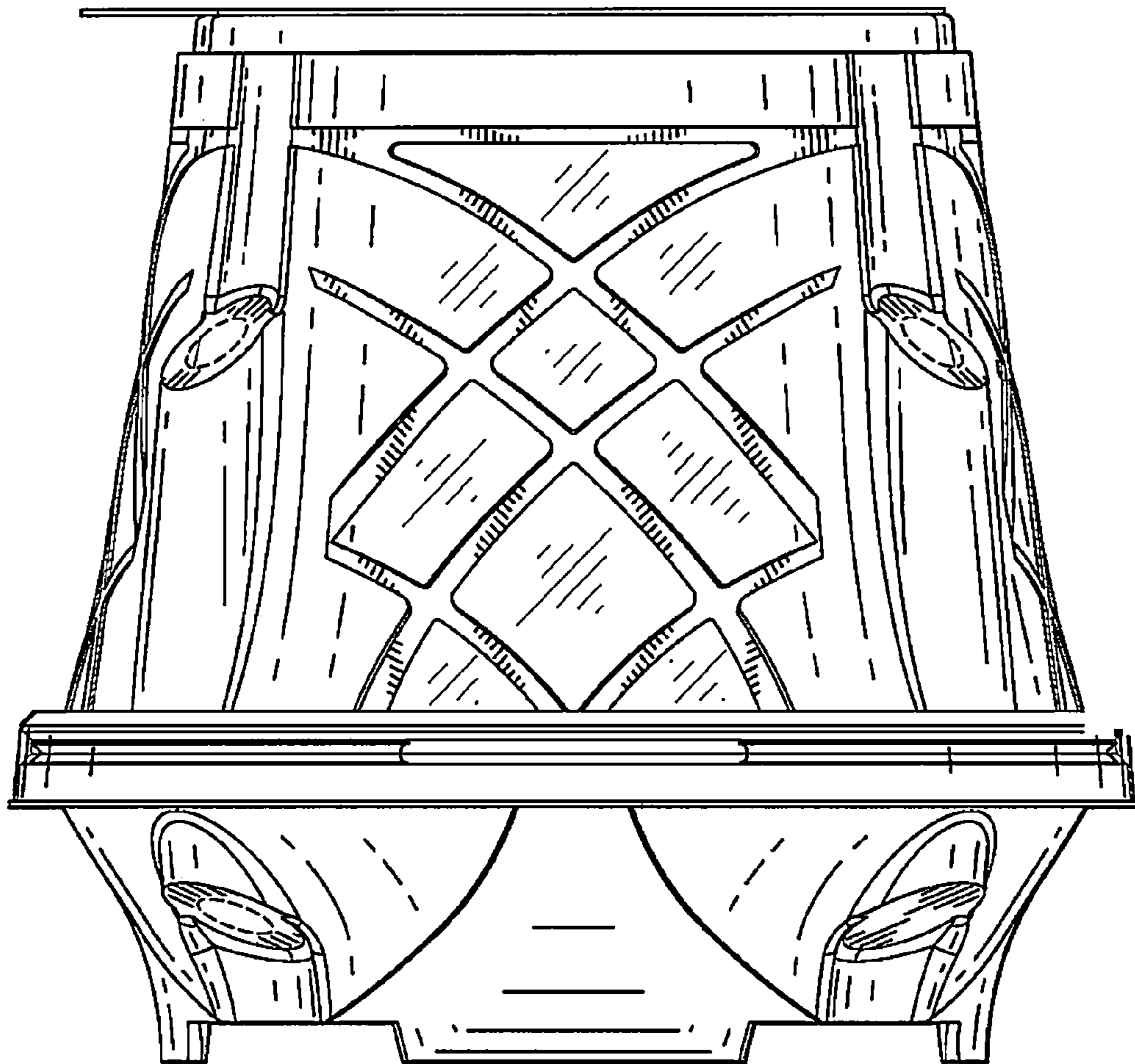


FIG. 4

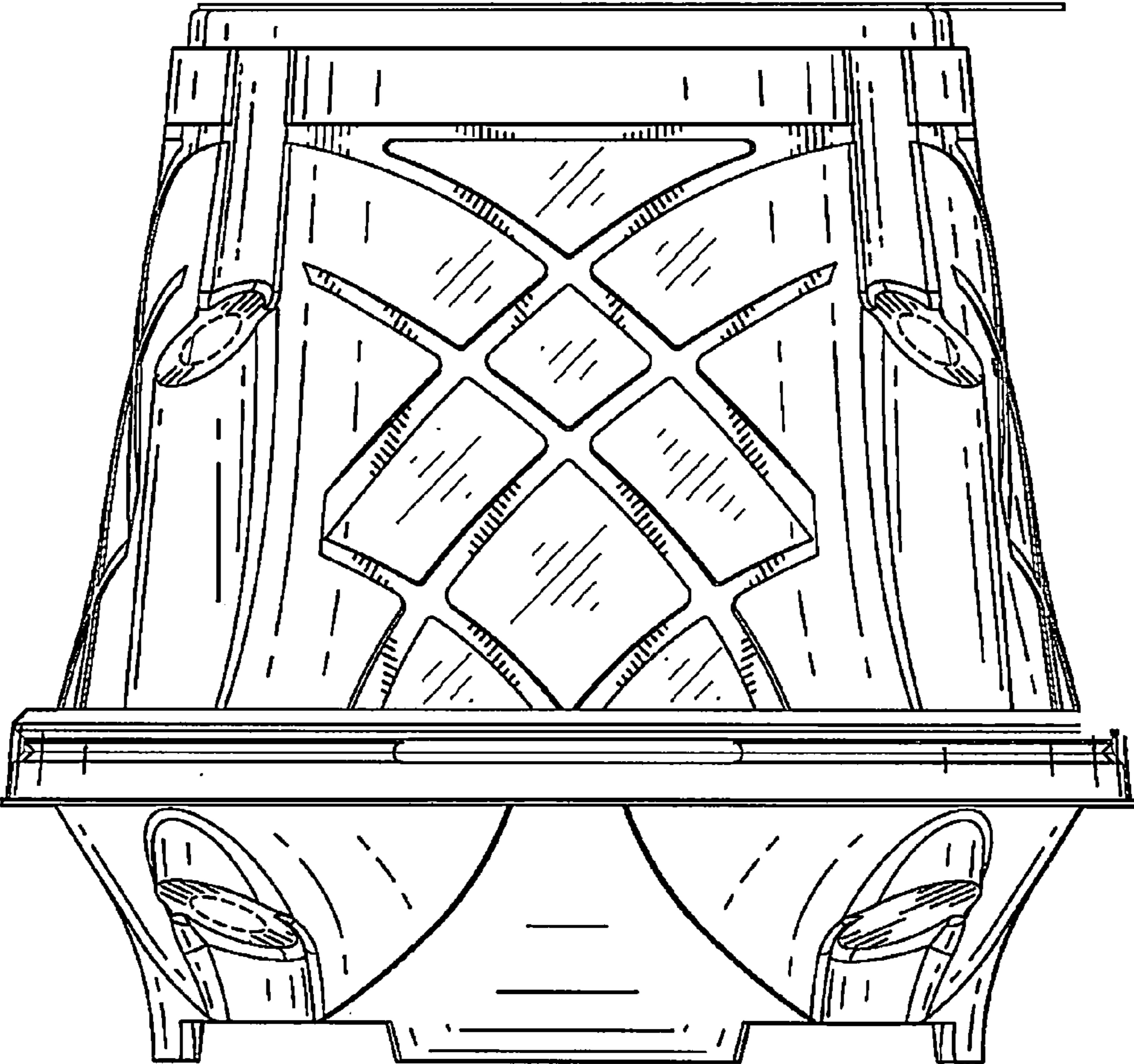


FIG. 5

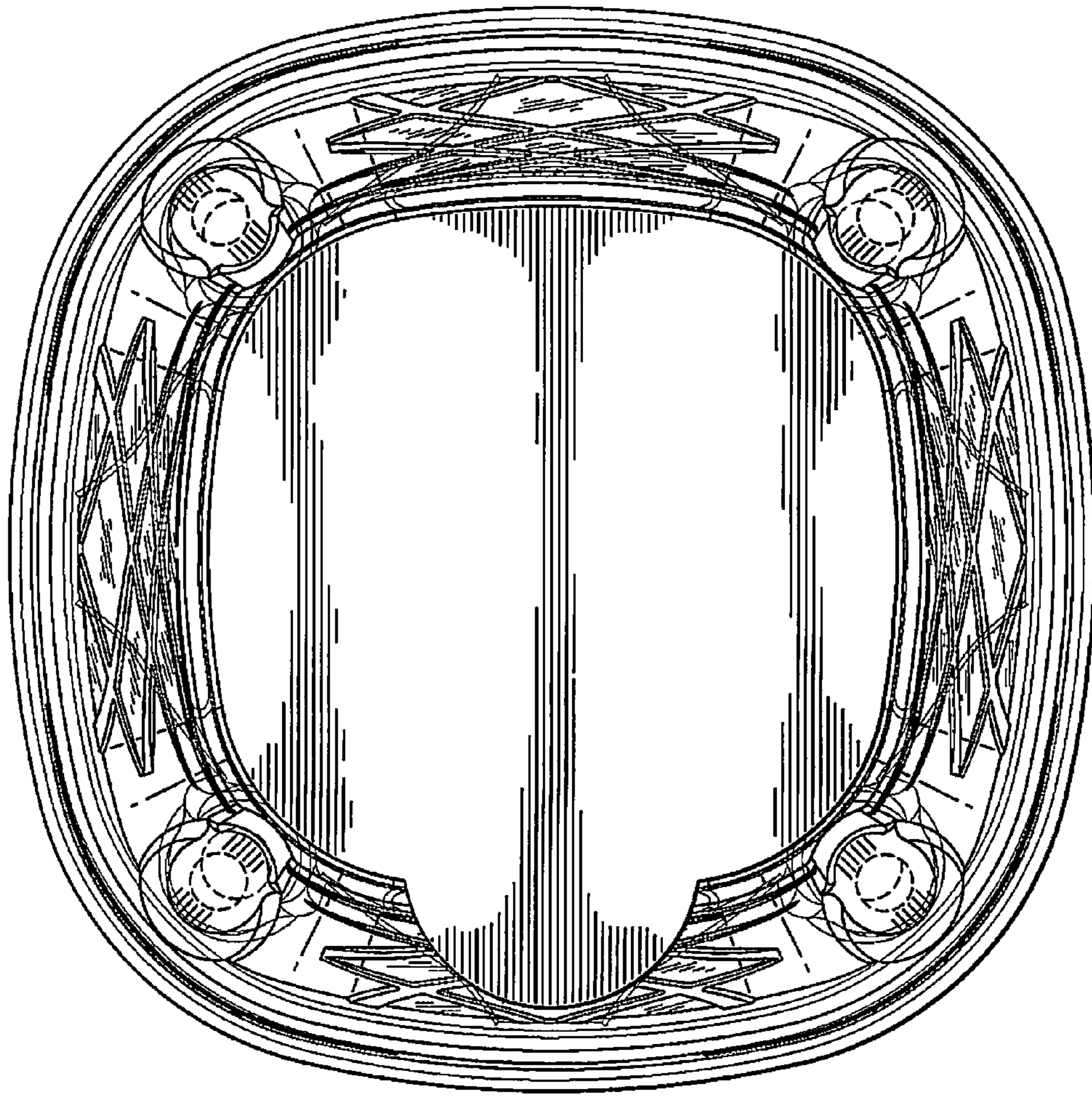


FIG. 6

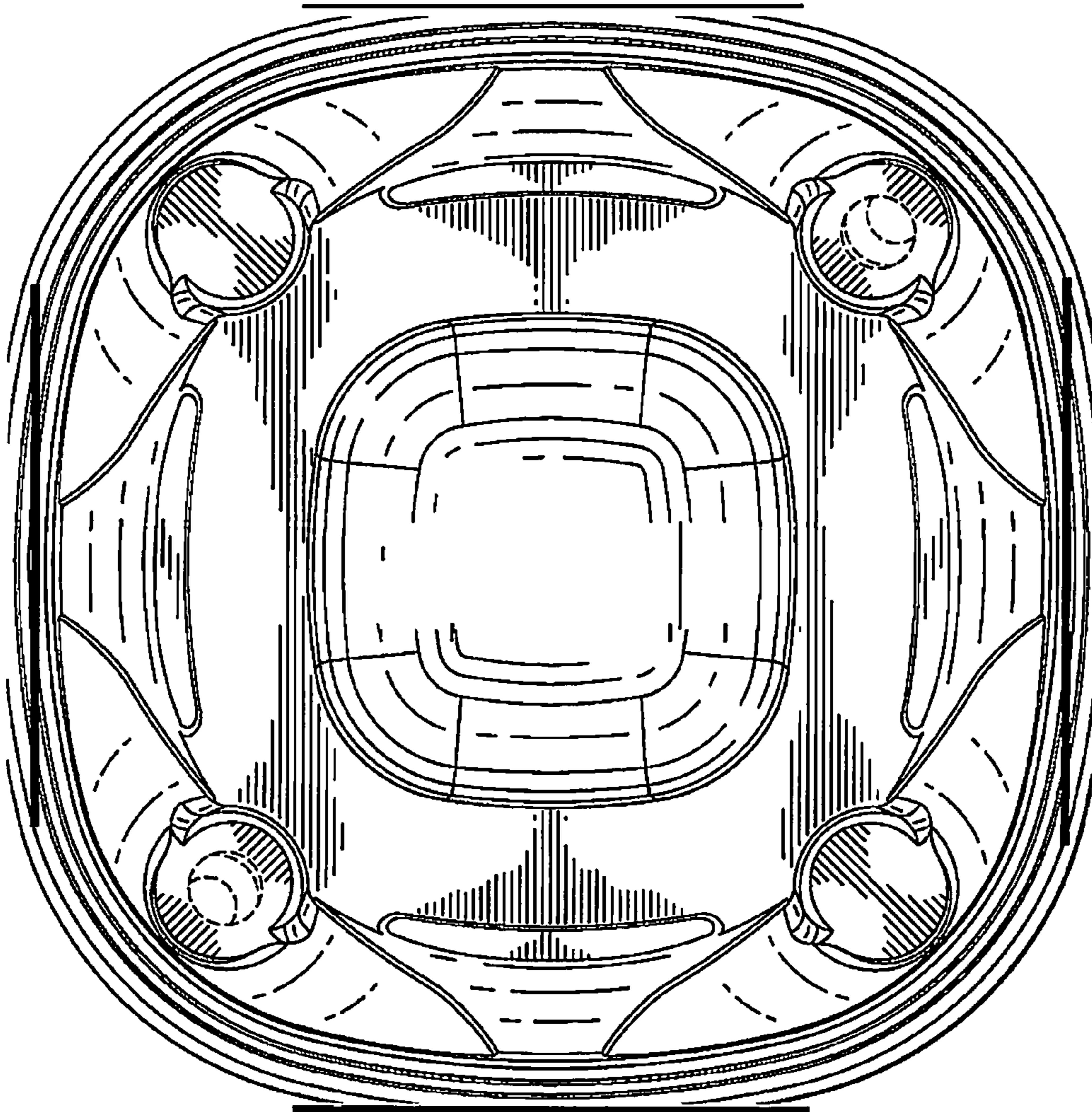


FIG. 7