



US00D701115S

(12) **United States Design Patent**  
**Doerr et al.**

(10) **Patent No.:** **US D701,115 S**  
(45) **Date of Patent:** **\*\* Mar. 18, 2014**

(54) **CONTAINER**

(71) Applicants: **Stephen Doerr**, Frisco, TX (US);  
**Patrick Lee O'Brien**, Toano, VA (US);  
**Michael William Worstell**,  
Williamsburg, VA (US)

(72) Inventors: **Stephen Doerr**, Frisco, TX (US);  
**Patrick Lee O'Brien**, Toano, VA (US);  
**Michael William Worstell**,  
Williamsburg, VA (US)

(73) Assignee: **Mott's LLP**, Plano, TX (US)

(\*\*) Term: **14 Years**

(21) Appl. No.: **29/439,433**

(22) Filed: **Dec. 11, 2012**

(51) **LOC (10) Cl.** ..... **09-03**

(52) **U.S. Cl.**  
USPC ..... **D9/424**

(58) **Field of Classification Search**  
USPC ..... D9/414, 424, 425, 428, 429, 500, 502;  
D7/500, 584, 586, 601; 220/574, 669,  
220/670-675

See application file for complete search history.

(56) **References Cited**

**U.S. PATENT DOCUMENTS**

D286,844 S \* 11/1986 Daenen et al. .... D7/586  
D453,094 S \* 1/2002 Maggard et al. .... D7/584

D465,154 S 11/2002 O'Brien  
D499,645 S \* 12/2004 Edwards ..... D9/429  
D605,502 S \* 12/2009 Honda et al. .... D9/429  
D634,486 S \* 3/2011 Graham-Cretcher ..... D30/129  
D651,865 S \* 1/2012 Smyers ..... D7/630  
D689,730 S \* 9/2013 Goto et al. .... D7/354  
D689,768 S \* 9/2013 Inderbitzin ..... D9/429

\* cited by examiner

*Primary Examiner* — Derrick Holland

*Assistant Examiner* — Lauren Calve

(74) *Attorney, Agent, or Firm* — Michael Woods

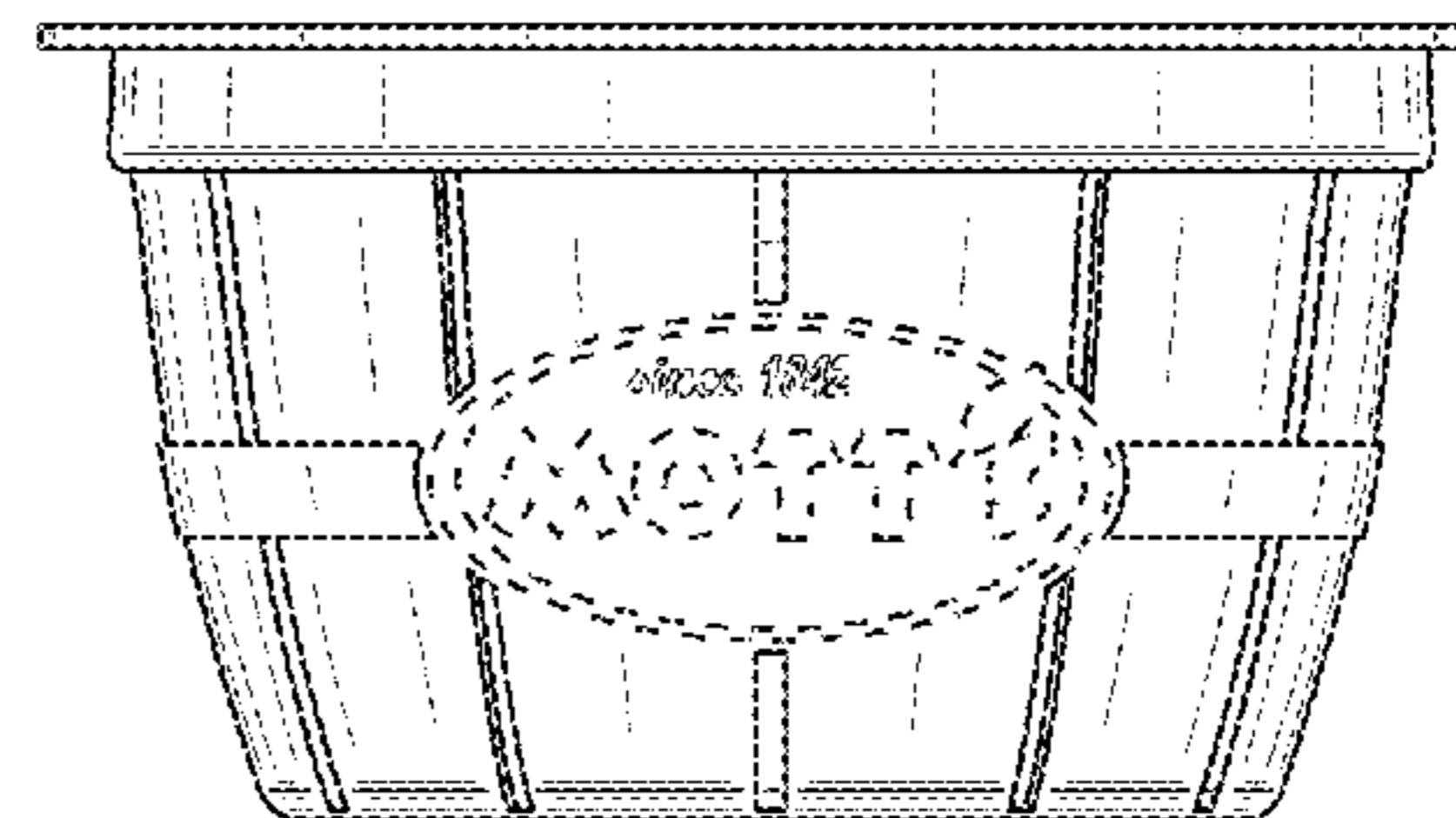
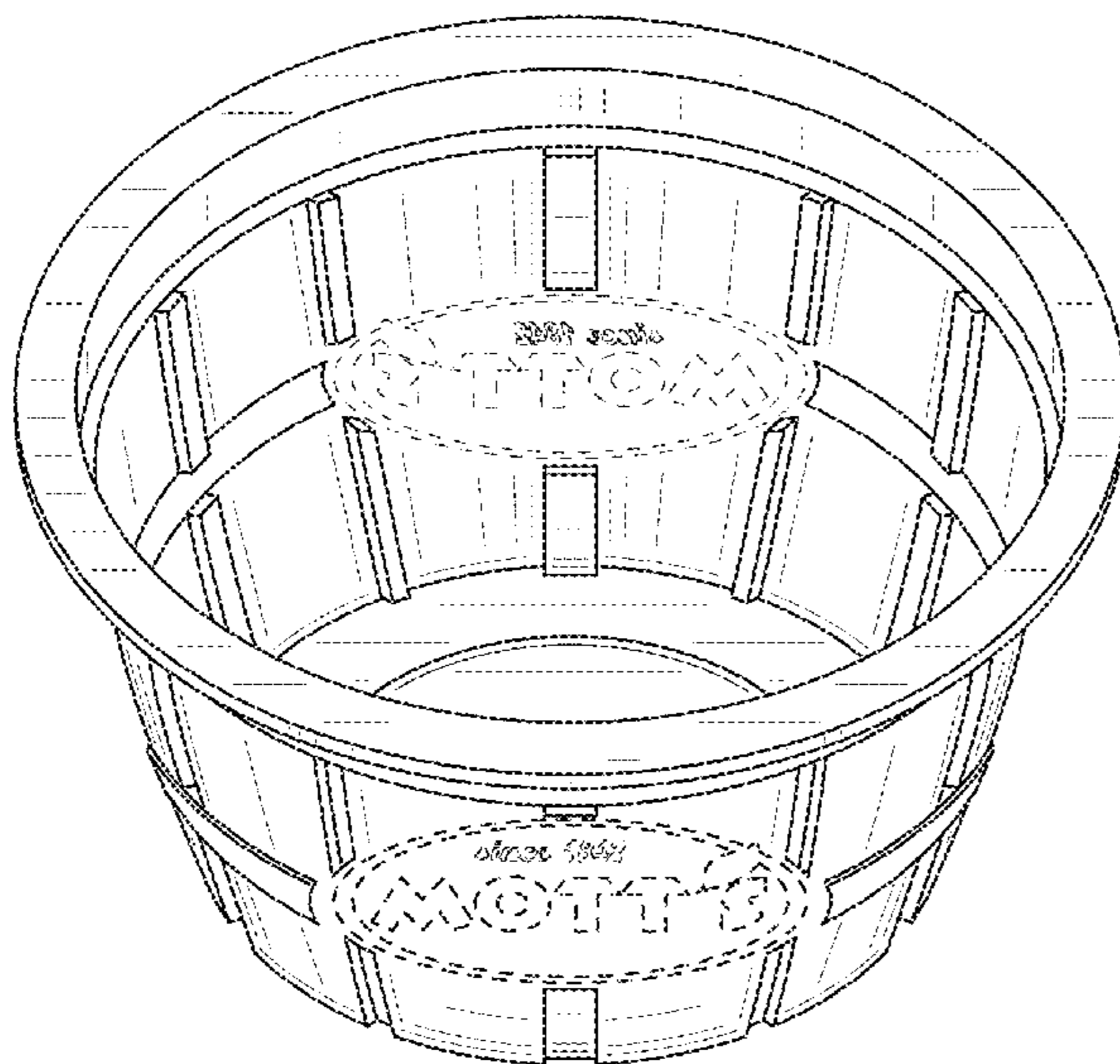
(57) **CLAIM**

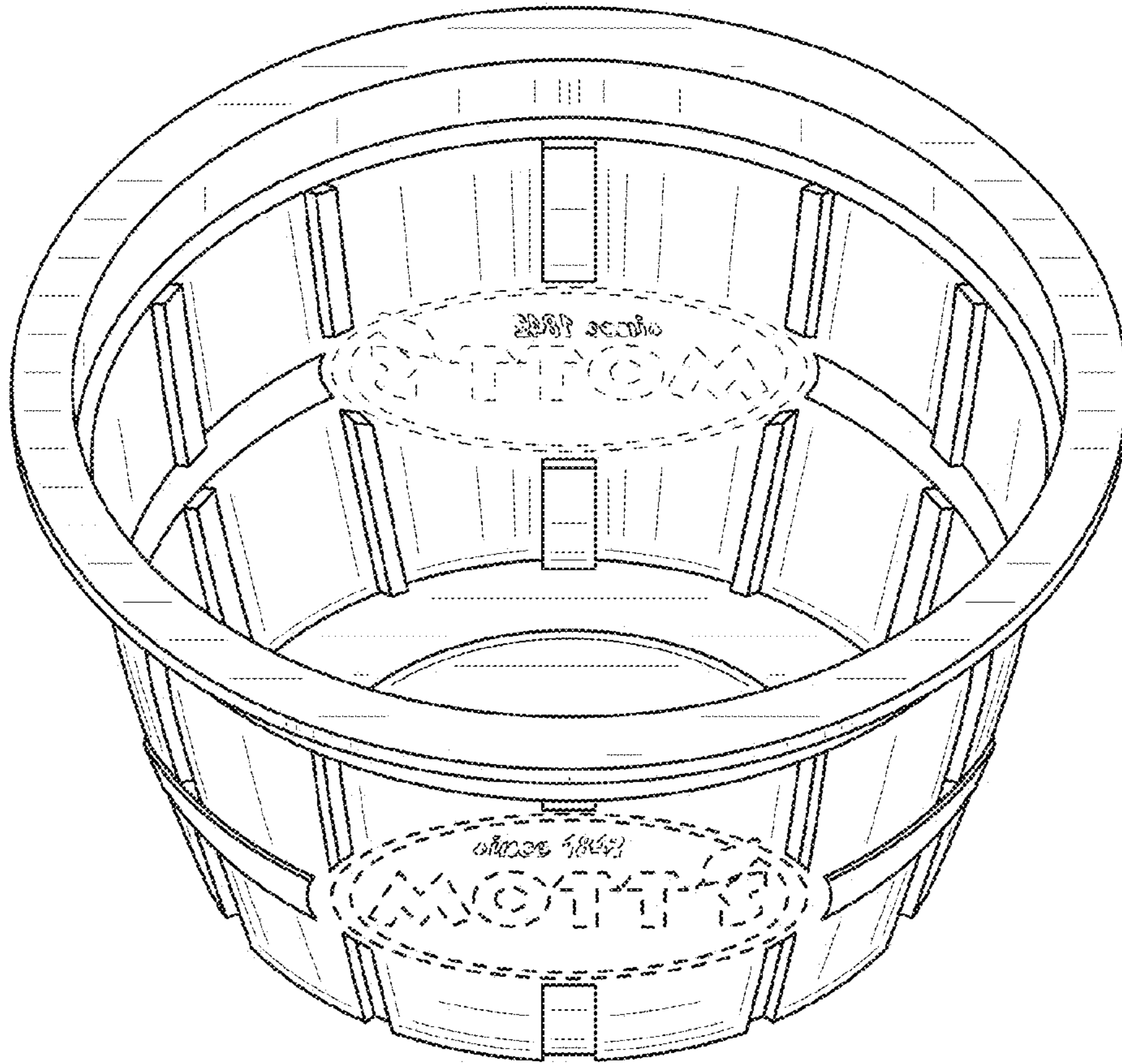
We claim the ornamental design for a container, as shown and described.

**DESCRIPTION**

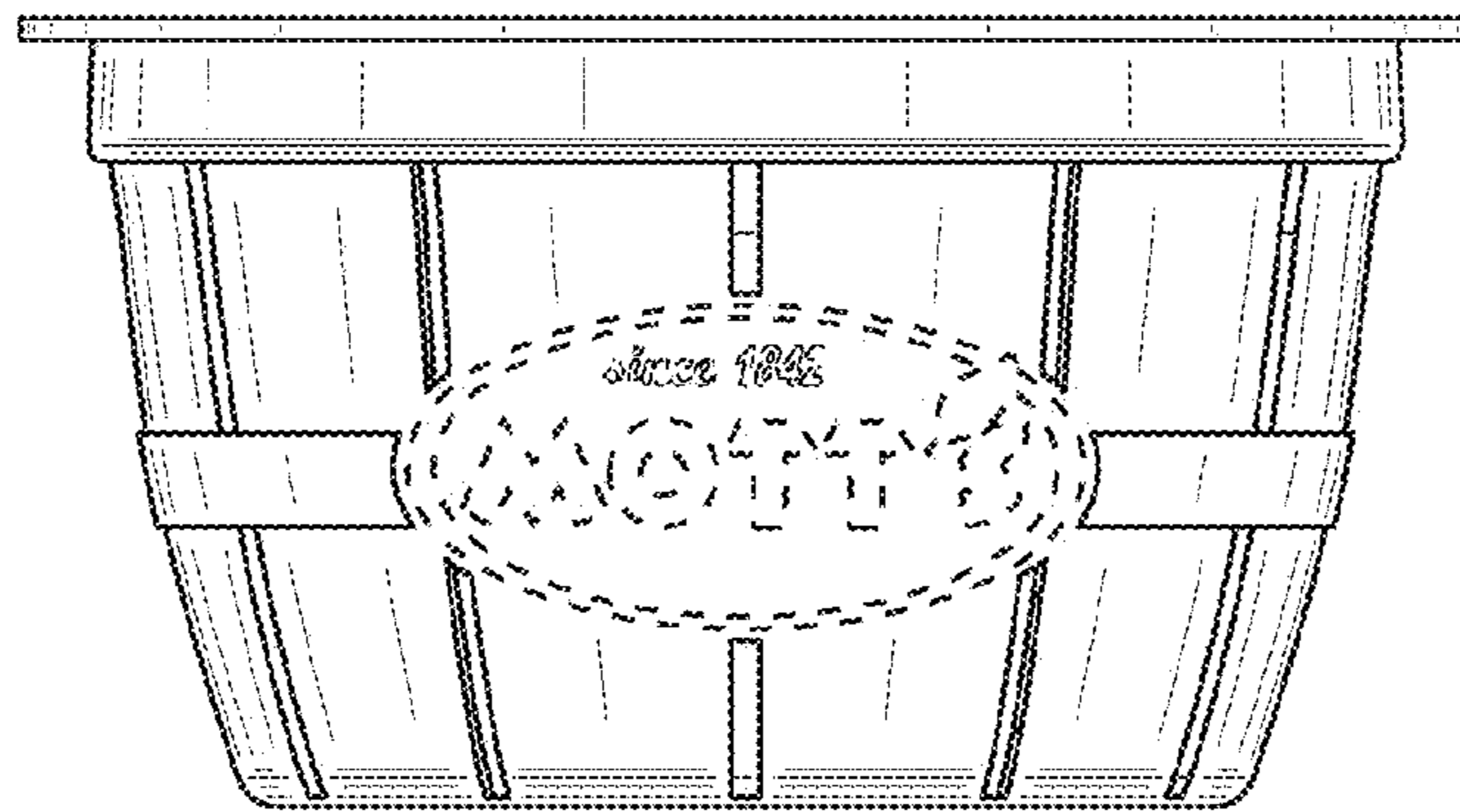
FIG. 1 is top and front perspective view of the new design for a container;  
FIG. 2 is a front view of the design;  
FIG. 3 is a back view of the design;  
FIG. 4 is a right view of the design;  
FIG. 5 is a left view of the design;  
FIG. 6 is a top plan view of the design;  
FIG. 7 is a bottom view of the design; and,  
FIG. 8 is a cross-sectional view taken along line 8-8 of FIG. 6. The broken line showing of the container represents unclaimed subject matter and forms no part of the claimed design.

**1 Claim, 4 Drawing Sheets**

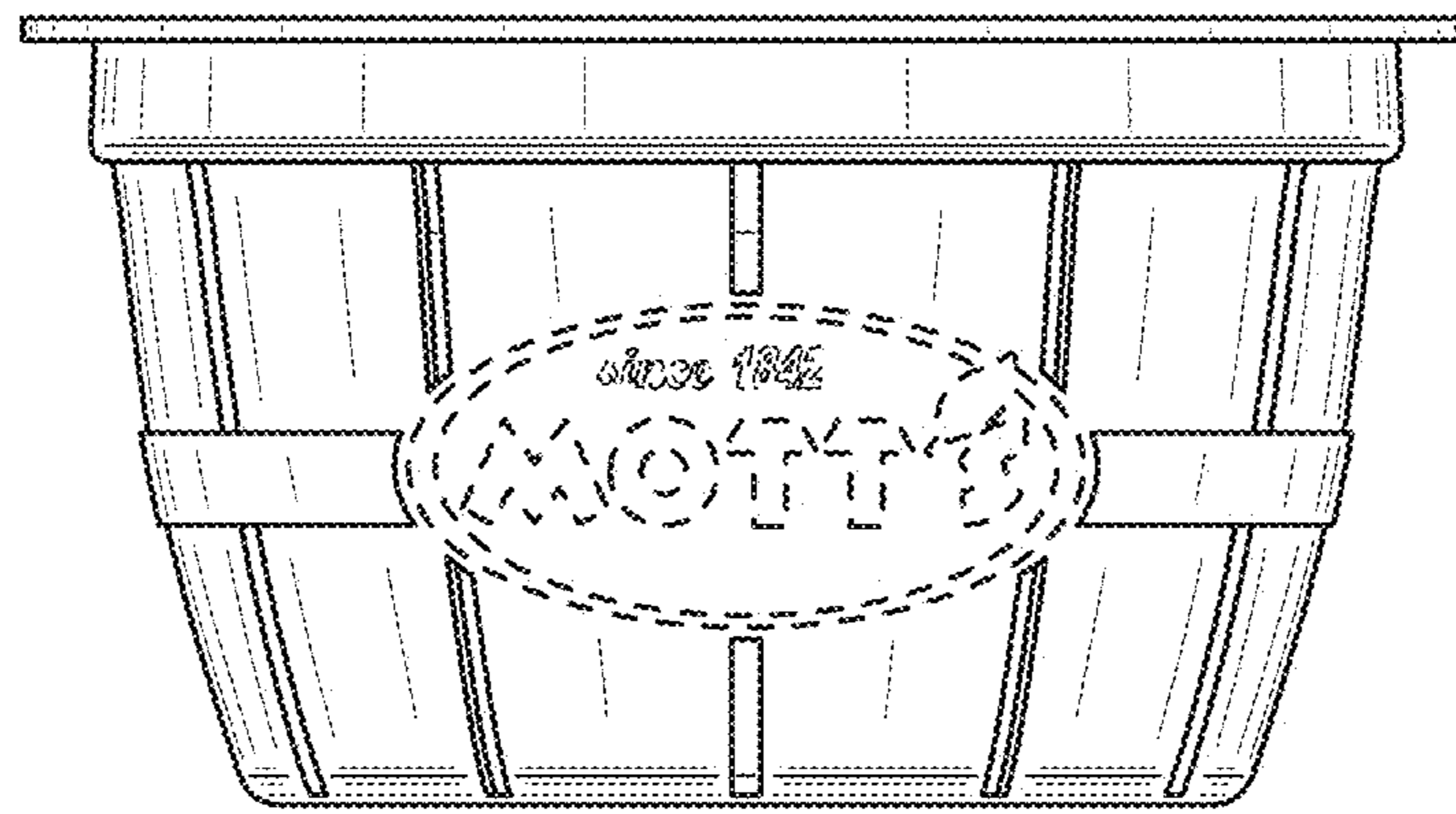




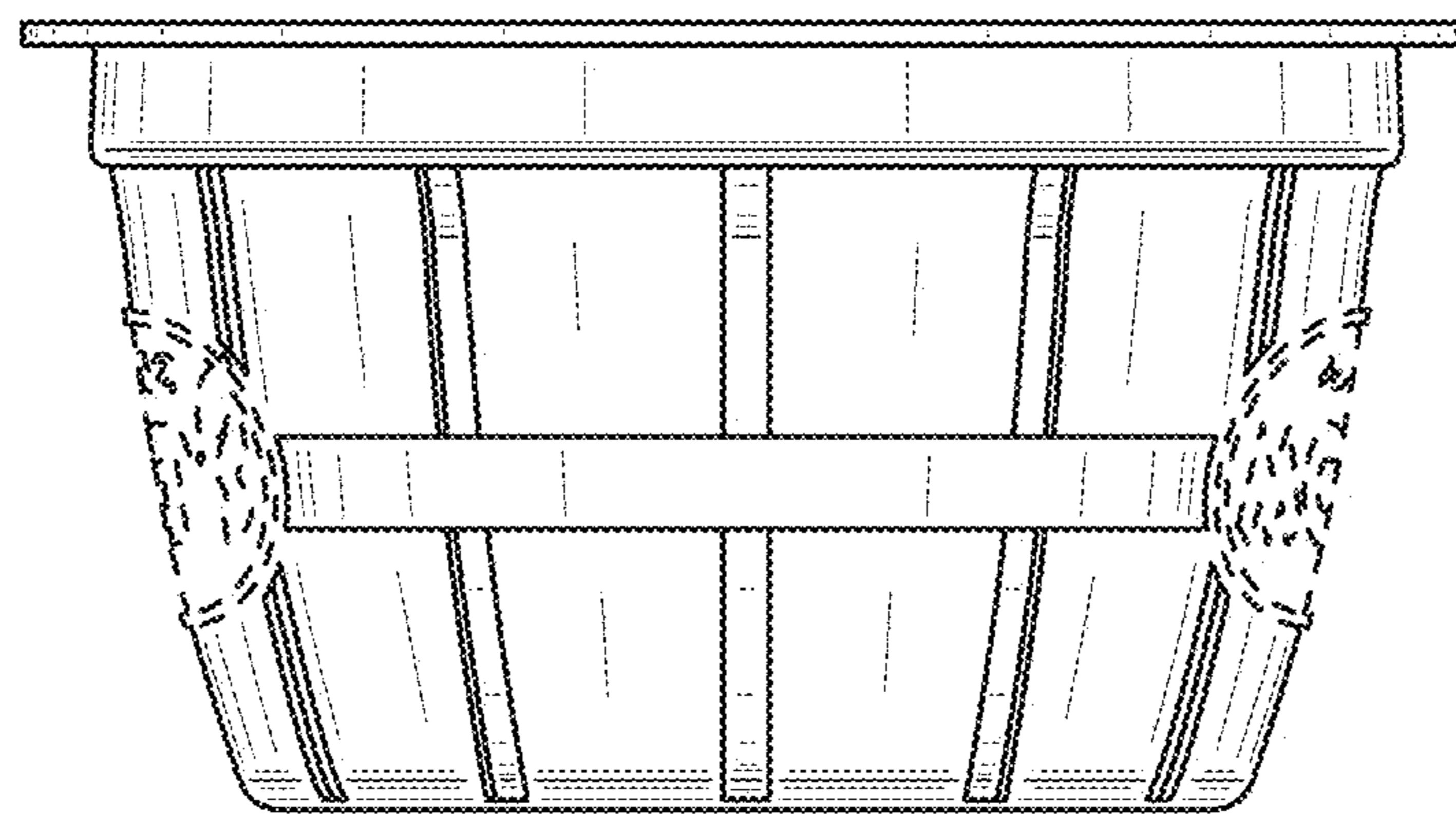
**FIG. 1**



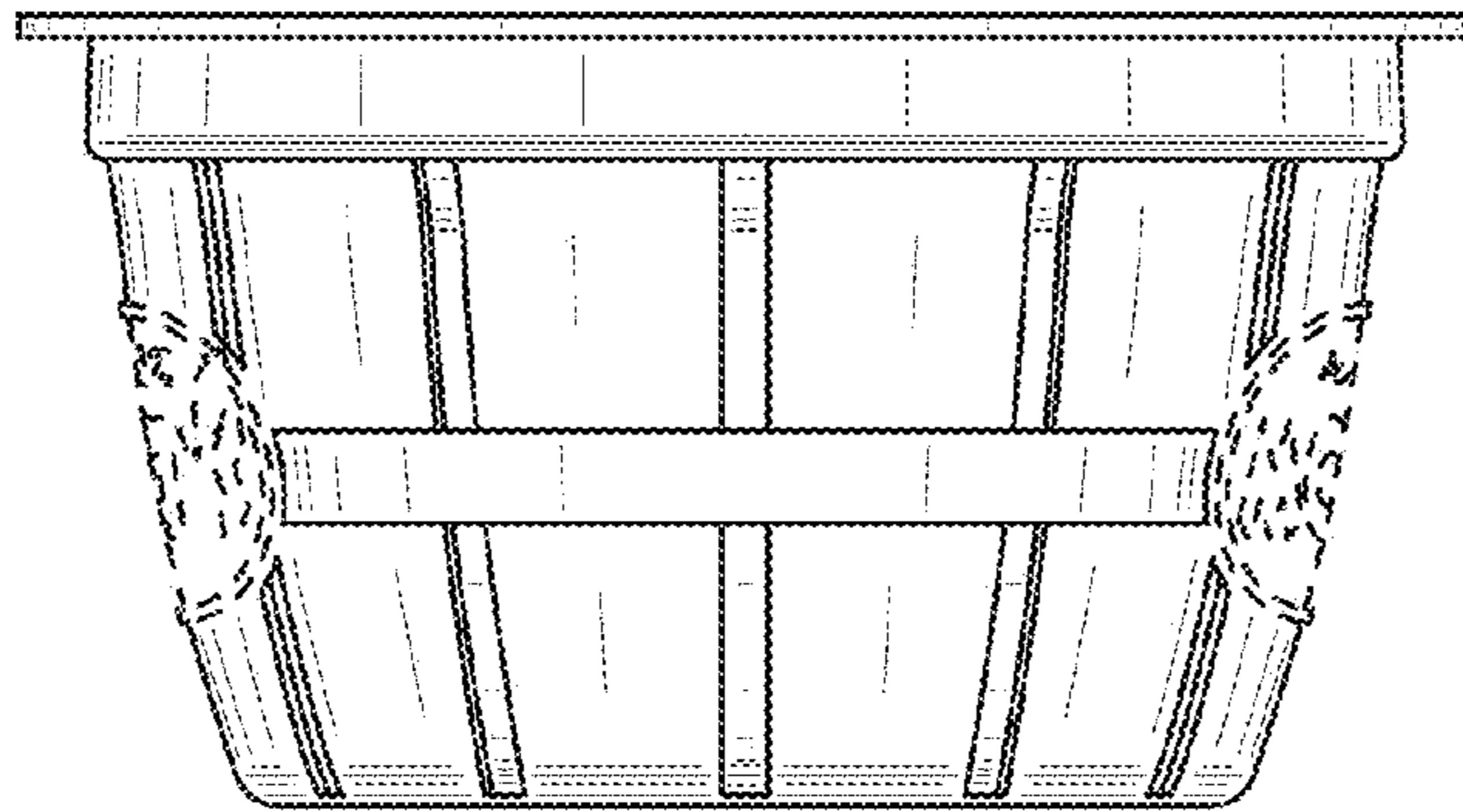
**FIG. 2**



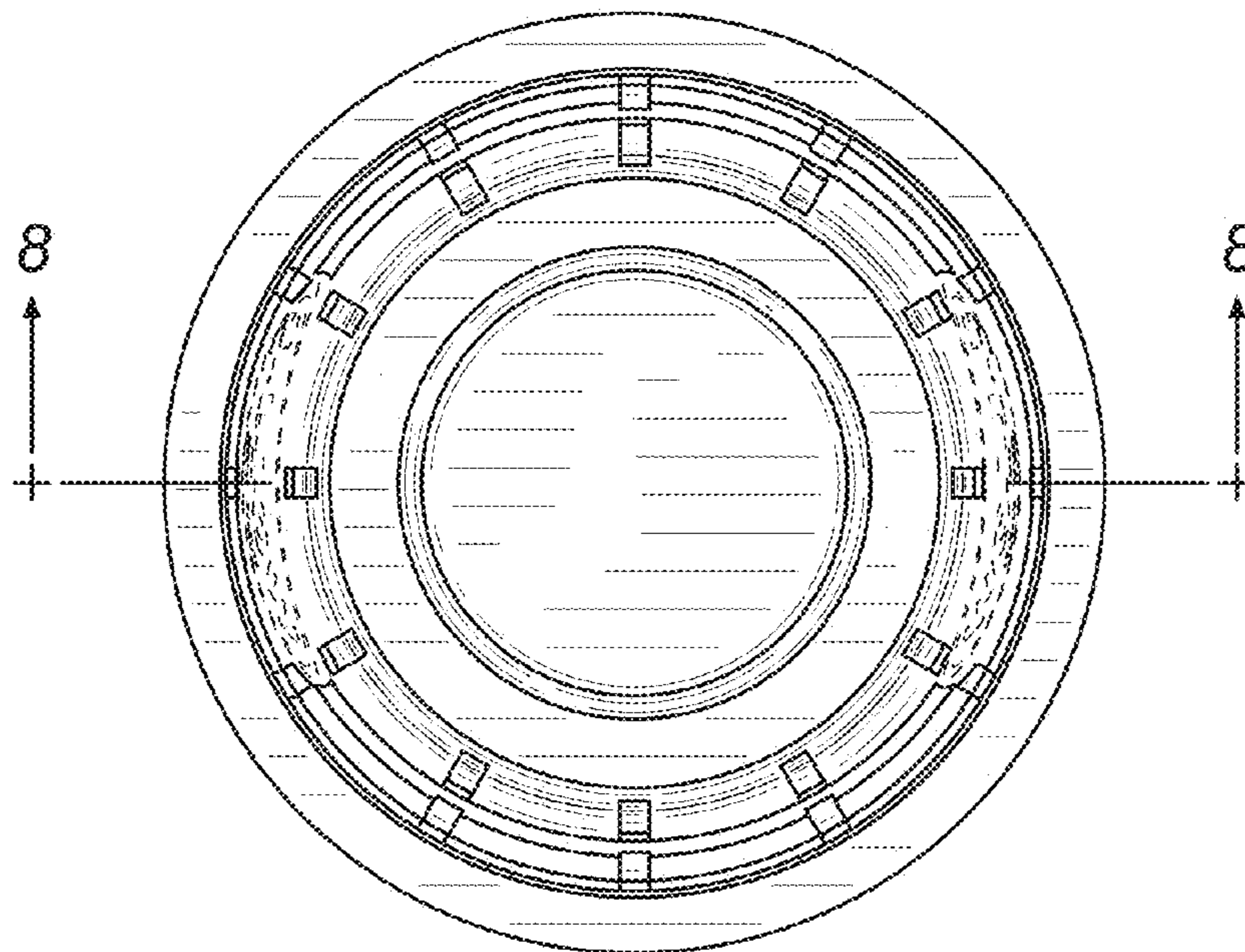
**FIG. 3**



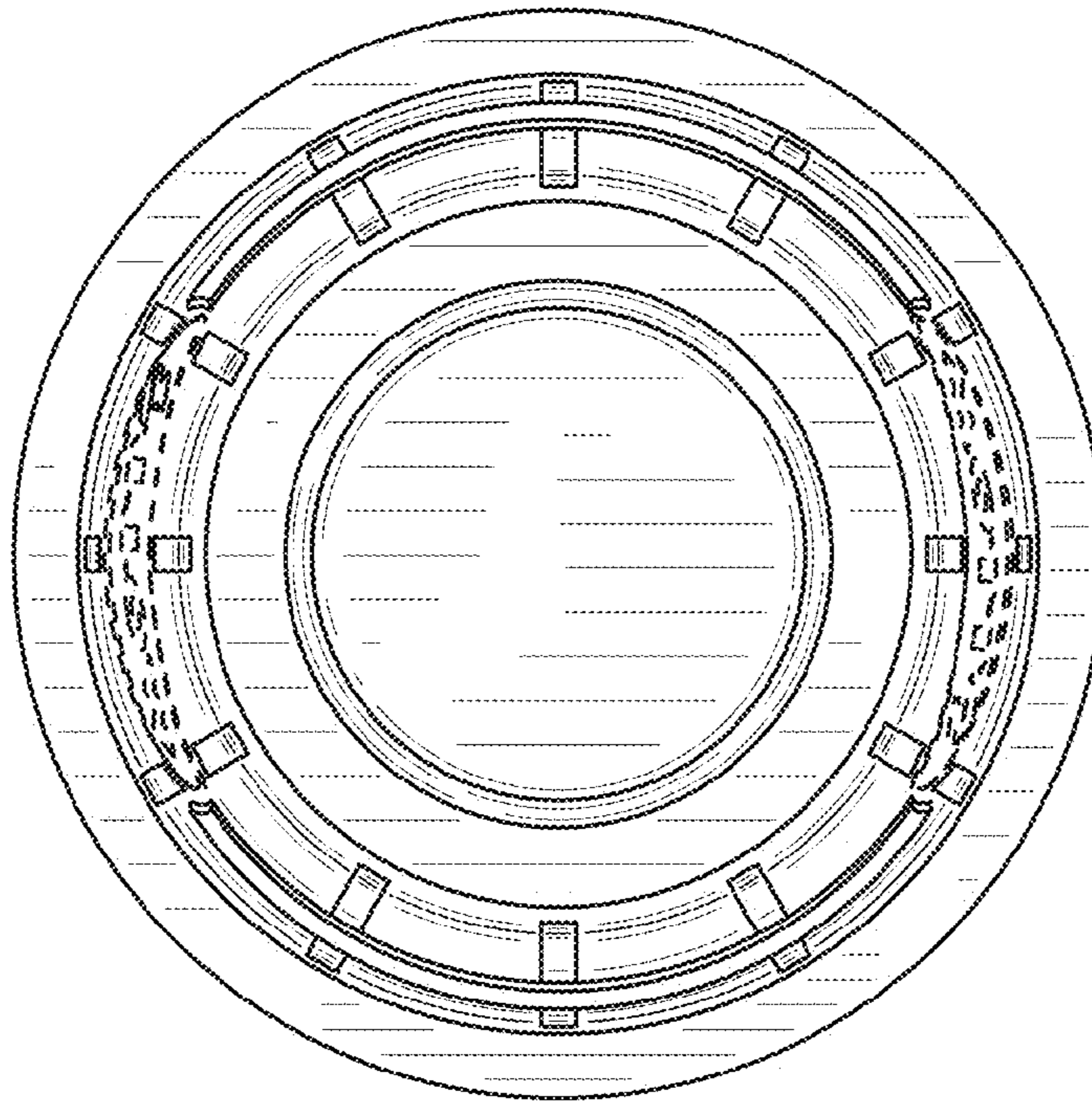
**FIG. 4**



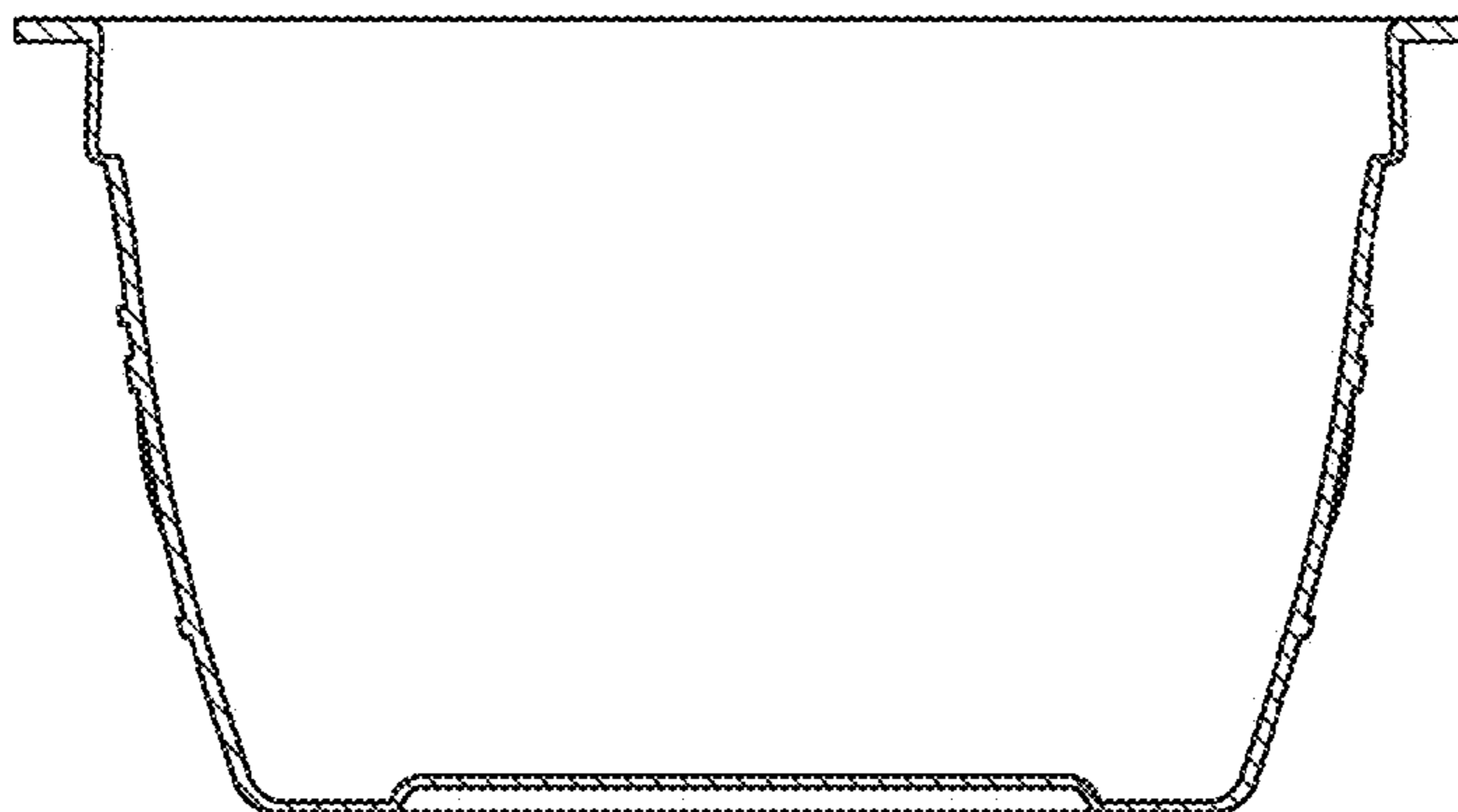
**FIG. 5**



**FIG. 6**



**FIG. 7**



**FIG. 8**