



US00D701113S

(12) **United States Design Patent**
Baker et al.

(10) **Patent No.:** **US D701,113 S**
(45) **Date of Patent:** **** Mar. 18, 2014**

(54) **RECESS PLUG**

(75) Inventors: **James Baker**, Bonner Springs, KS (US);
Stephen Hopkins, Kansas City, MO
(US); **Lindsey Weber**, Kansas City, MO
(US); **Lauren Daly**, Olathe, KS (US)

(73) Assignee: **Dimensional Innovations, Inc.**,
Overland Park, KS (US)

(**) Term: **14 Years**

(21) Appl. No.: **29/409,958**

(22) Filed: **Dec. 30, 2011**

(51) **LOC (10) Cl.** **08-08**

(52) **U.S. Cl.**
USPC **D8/397**

(58) **Field of Classification Search**
USPC D23/261; D8/349, 382, 394, 397;
411/429, 432, 918, 179, 180
See application file for complete search history.

(56) **References Cited**

U.S. PATENT DOCUMENTS

2,716,434	A *	8/1955	Crowther	411/106
3,511,118	A *	5/1970	Mitchell	81/119
D219,907	S *	2/1971	Reed	D8/397
D223,532	S *	5/1972	Shinjo	D8/397
D229,610	S *	12/1973	Shinjo	D8/397
4,012,153	A *	3/1977	Pidgeon et al.	403/170
D270,034	S *	8/1983	Shepard	D8/381
D270,883	S *	10/1983	Hultberg	D6/491
4,807,843	A *	2/1989	Courtois et al.	249/61
5,044,854	A *	9/1991	Oh	411/344
5,556,220	A *	9/1996	Lautenschlager et al.	403/298
7,516,534	B2 *	4/2009	Easterbrook et al.	29/509

D623,049	S *	9/2010	Zeyfang	D8/397
2006/0099048	A1 *	5/2006	Ward et al.	411/432
2012/0244743	A1 *	9/2012	Lukas	439/488

OTHER PUBLICATIONS

The Squirrel Fixing System, "Squirrel Installation Method", www.squirrels-uk.com/installation.htm, Copyright, Squirrels 2010.
The Squirrel Fixing System, "Fittings and Accessories", www.squirrels-uk.com/fittings.htm, Copyright, Squirrels 2010.

* cited by examiner

Primary Examiner — Eric Goodman

(74) *Attorney, Agent, or Firm* — Shook Hardy & Bacon LLP

(57) **CLAIM**

The ornamental design for the recess plug, as shown and described.

DESCRIPTION

FIG. 1 is a front perspective view of a recess plug showing the new design;

FIG. 2 is a front elevation view thereof;

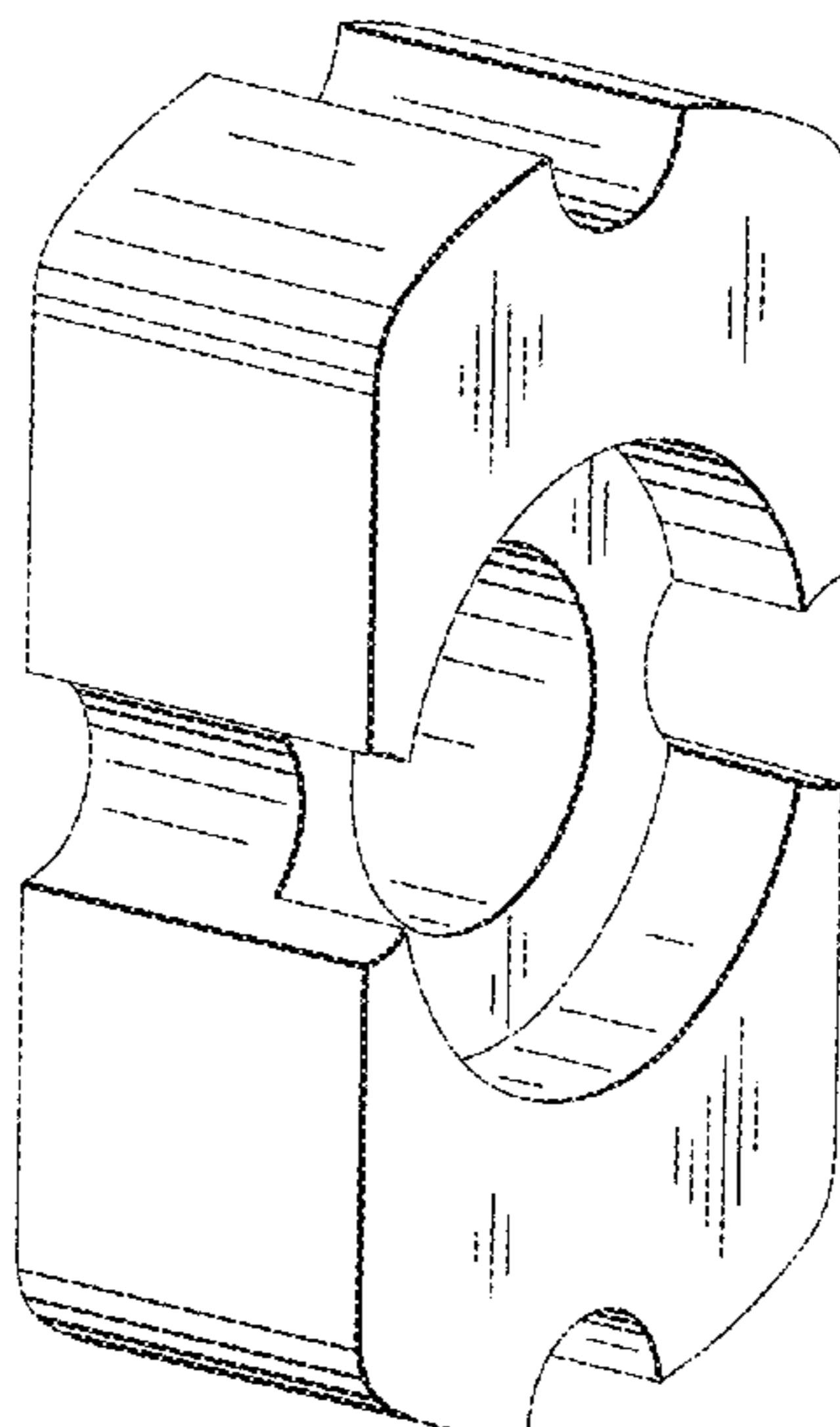
FIG. 3 is a top plan view thereof with a bottom plan view being a mirror image thereof;

FIG. 4 is a right side elevation view thereof with the left side elevation view being a mirror image thereof; and,

FIG. 5 is a back elevation view thereof.

The surface shading lines on the claimed portion are provided only to indicate the character and/or any contour or curvature of the surfaces. They do not indicate color, texture, markings that actually exist thereon, indicia, graphic representations, surface treatment, or any other ornamentation applied to the article.

1 Claim, 2 Drawing Sheets



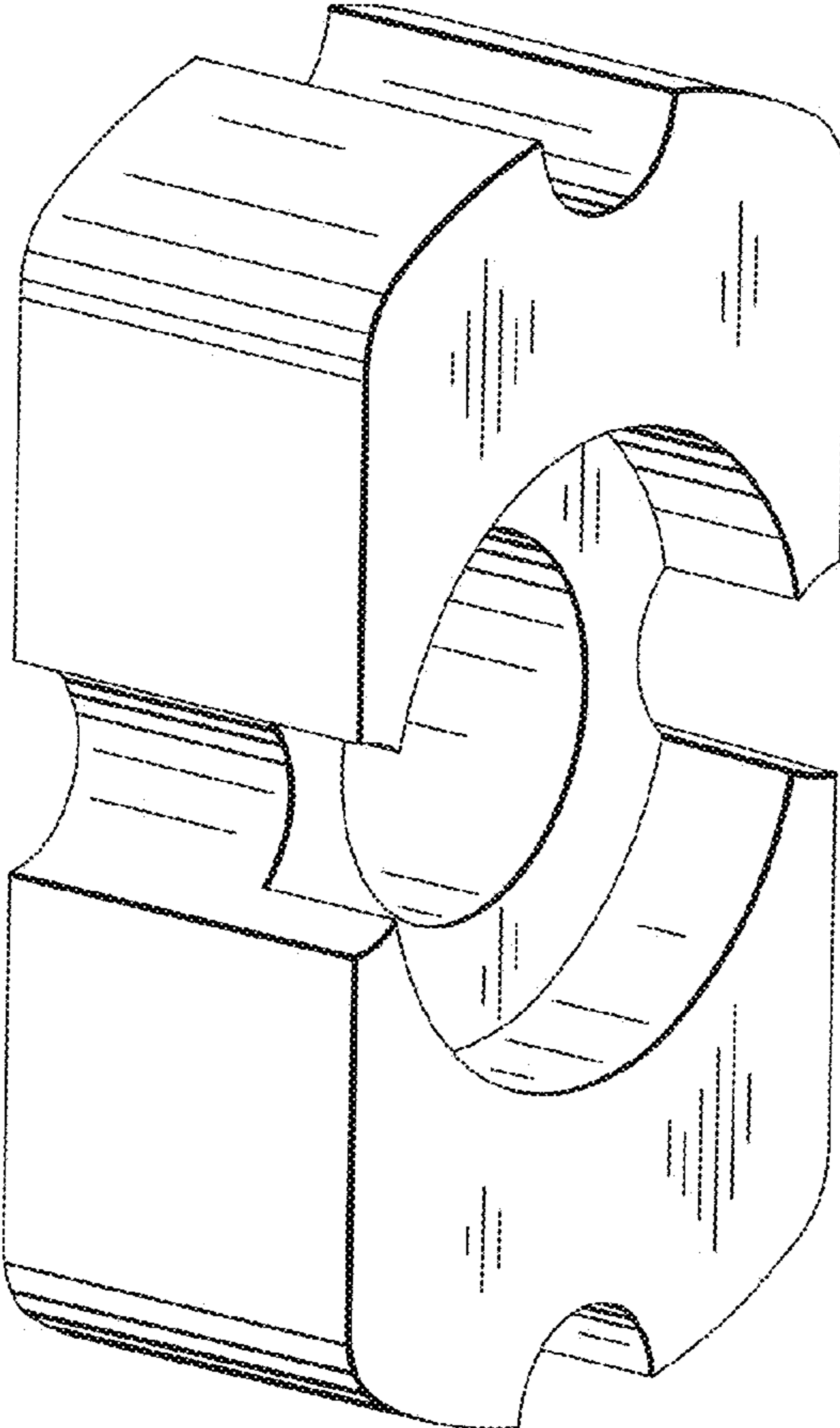


FIG. 1.

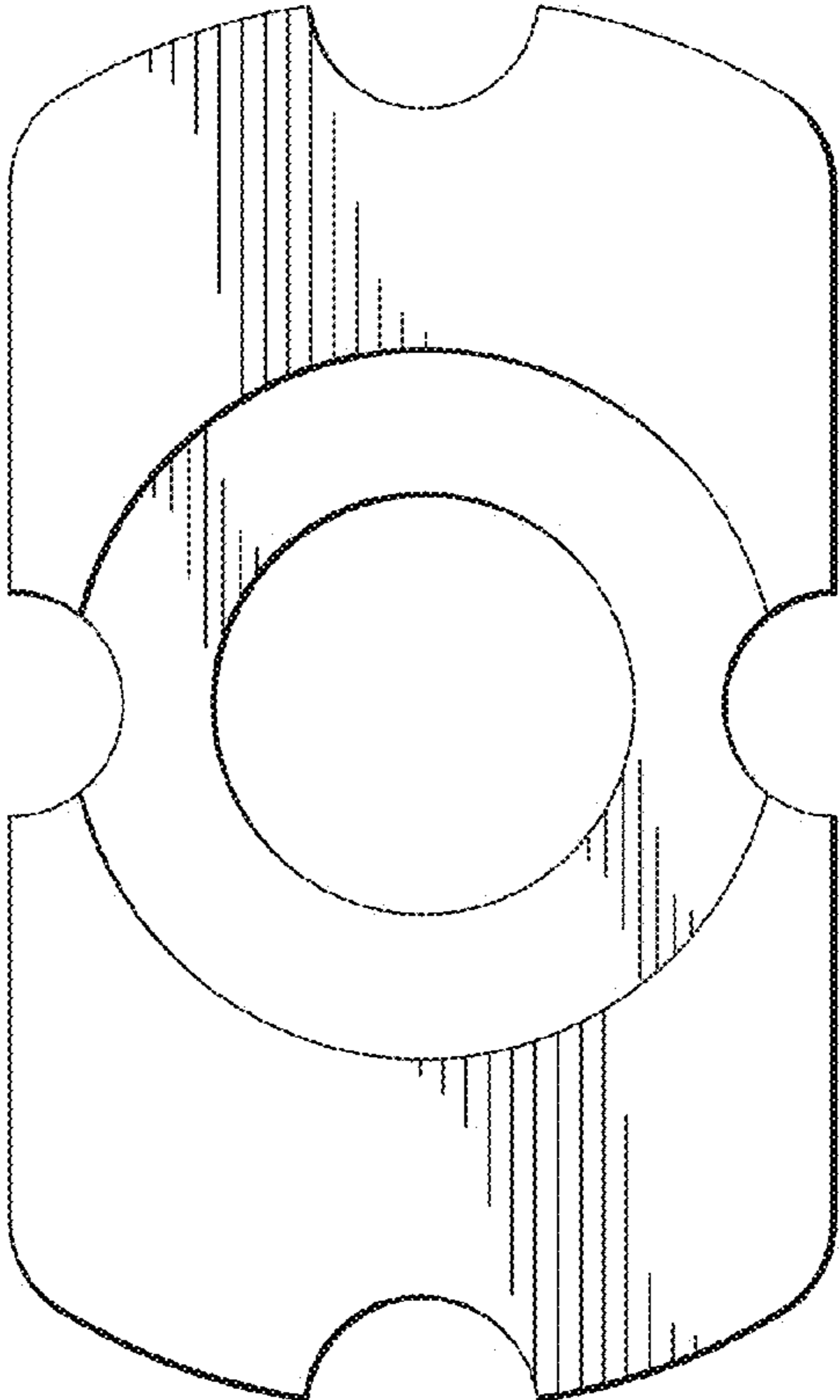


FIG. 2.

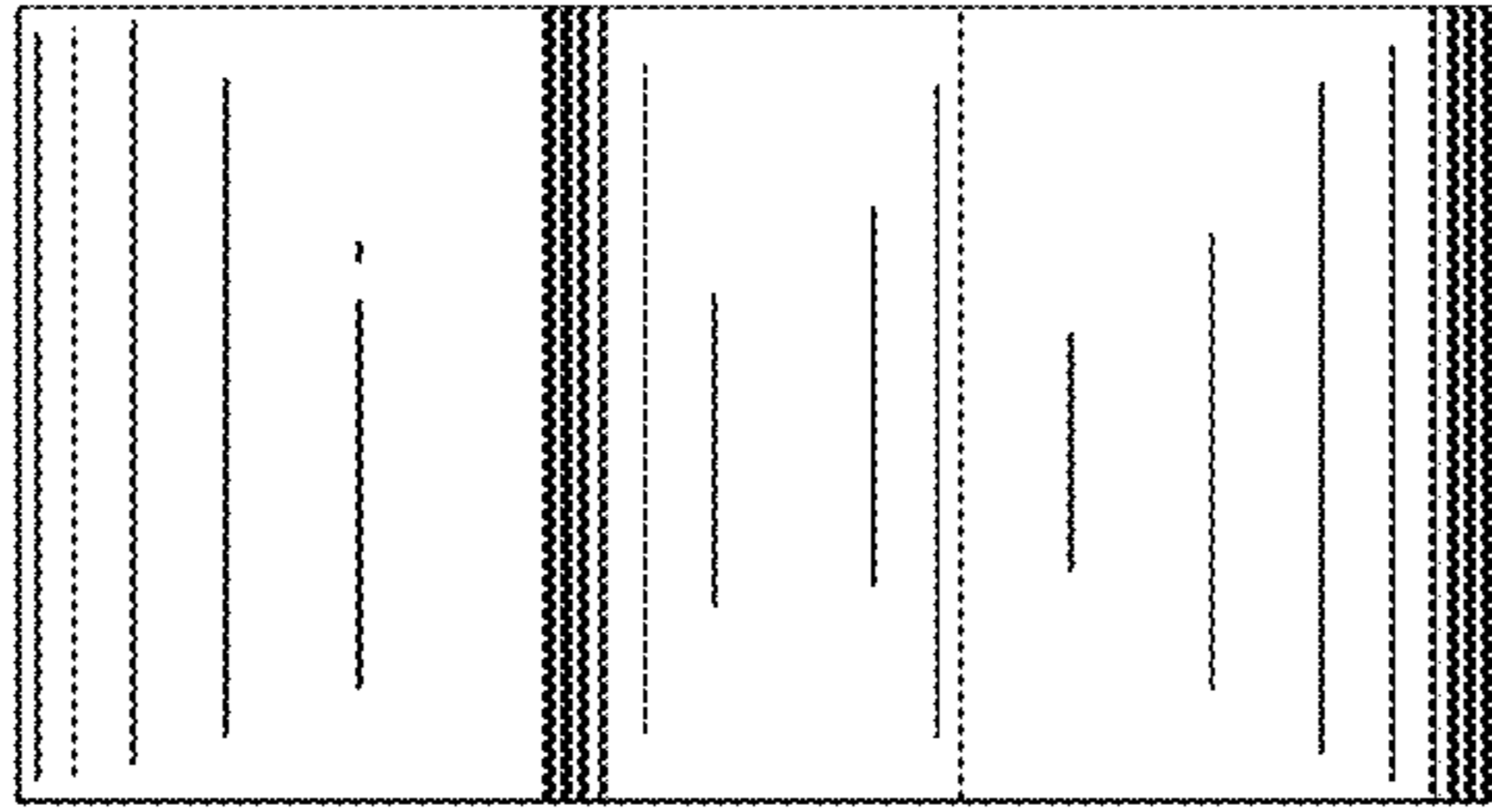


FIG. 3.

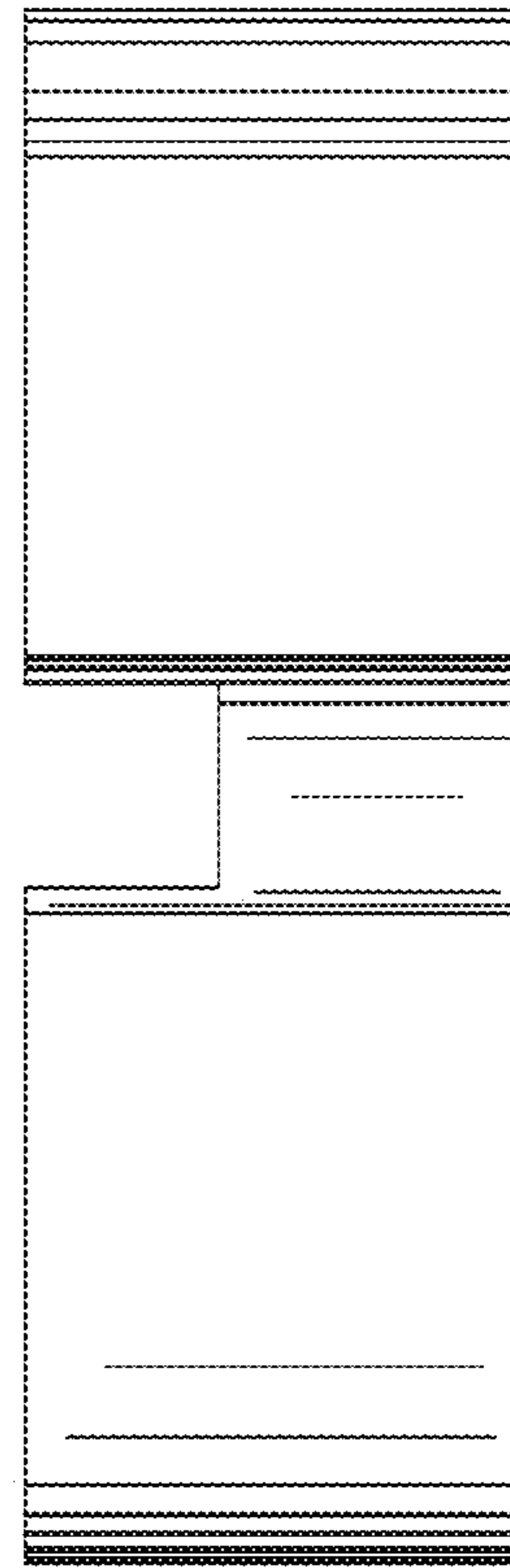


FIG. 4.

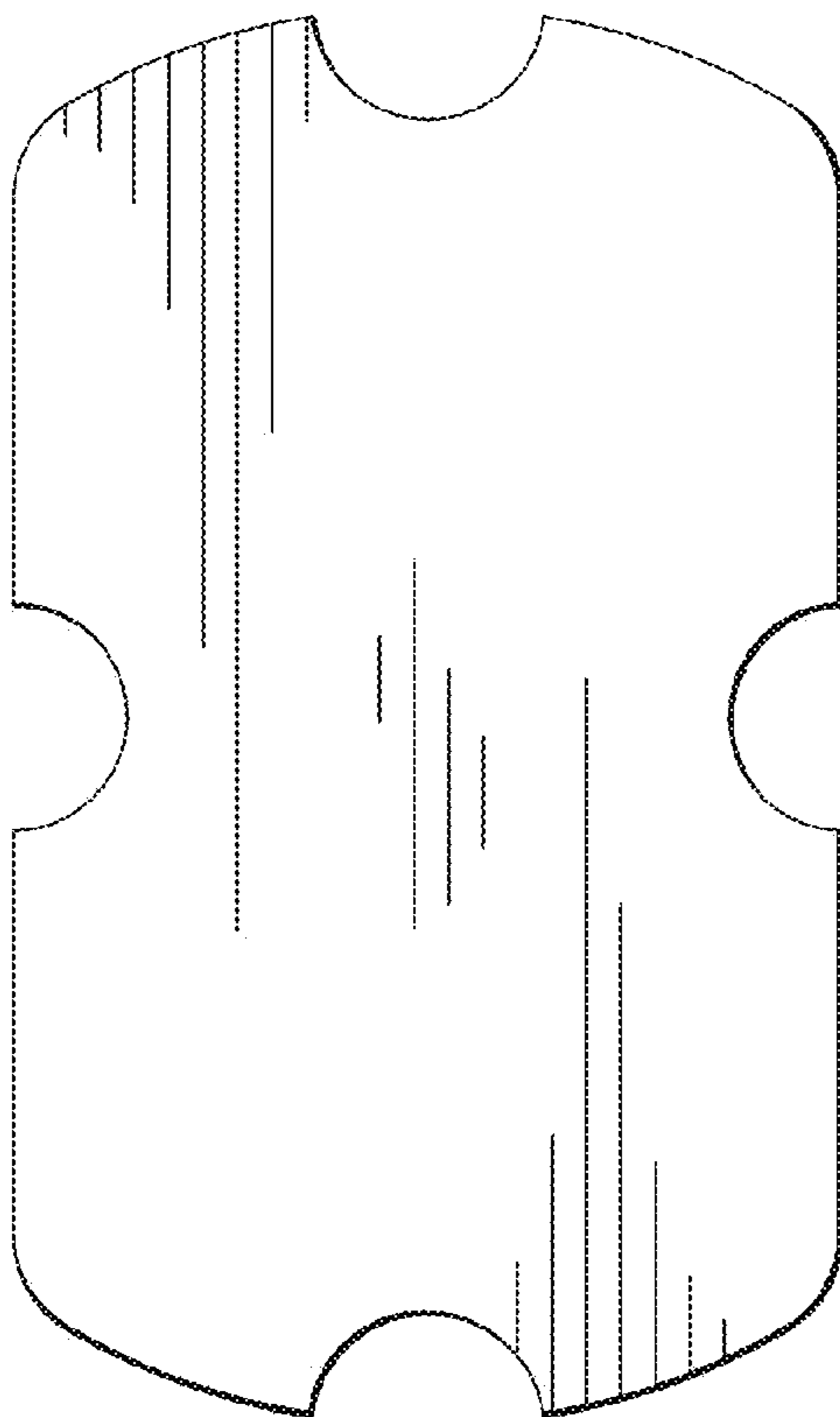


FIG. 5.