



US00D701112S

(12) **United States Design Patent**
Ukai et al.

(10) **Patent No.:** **US D701,112 S**
(45) **Date of Patent:** **** Mar. 18, 2014**

(54) **CLIP**

(71) Applicants: **Junya Ukai**, Aichi-ken (JP); **Toshio Iwahara**, Aichi-ken (JP); **Makoto Kato**, Aichi-ken (JP)

(72) Inventors: **Junya Ukai**, Aichi-ken (JP); **Toshio Iwahara**, Aichi-ken (JP); **Makoto Kato**, Aichi-ken (JP)

(73) Assignee: **Daiwa Kasei Kogyo Kabushiki Kaisha**, Okazaki-Shi (JP)

(**) Term: **14 Years**

(21) Appl. No.: **29/435,632**

(22) Filed: **Oct. 26, 2012**

(30) **Foreign Application Priority Data**

Apr. 27, 2012 (JP) 2012-010027

(51) **LOC (10) Cl.** **08-08**

(52) **U.S. Cl.**
USPC **D8/382; D8/385**

(58) **Field of Classification Search**
USPC D8/382, 385, 386, 349, 354, 356, 381;
248/200, 300, 74.1; 24/297; 411/508
See application file for complete search history.

(56) **References Cited**

U.S. PATENT DOCUMENTS

D456,699 S * 5/2002 Nakanishi D8/382
6,572,317 B2 * 6/2003 Okada et al. 411/508
6,575,681 B2 * 6/2003 Kojima et al. 411/508
D520,865 S * 5/2006 Wakabayashi D8/396

D549,566 S * 8/2007 Kamiya D8/395
D567,640 S * 4/2008 Katoh D8/382
D589,333 S * 3/2009 Nakazato D8/382
D625,587 S * 10/2010 Obuchi et al. D8/382
D666,900 S * 9/2012 Ogino et al. D8/385
D671,391 S * 11/2012 Komeno et al. D8/356
8,333,540 B2 * 12/2012 Nakazato 411/508
D675,506 S * 2/2013 Araki D8/382
D675,507 S * 2/2013 Araki D8/382
8,469,646 B2 * 6/2013 Kono et al. 411/508
D691,026 S * 10/2013 Komeno et al. D8/356
2005/0155191 A1 * 7/2005 Asano et al. 24/297
2007/0258795 A1 * 11/2007 Nakazato 411/508

* cited by examiner

Primary Examiner — Sheryl Lane

(74) *Attorney, Agent, or Firm* — Ladas & Parry LLP

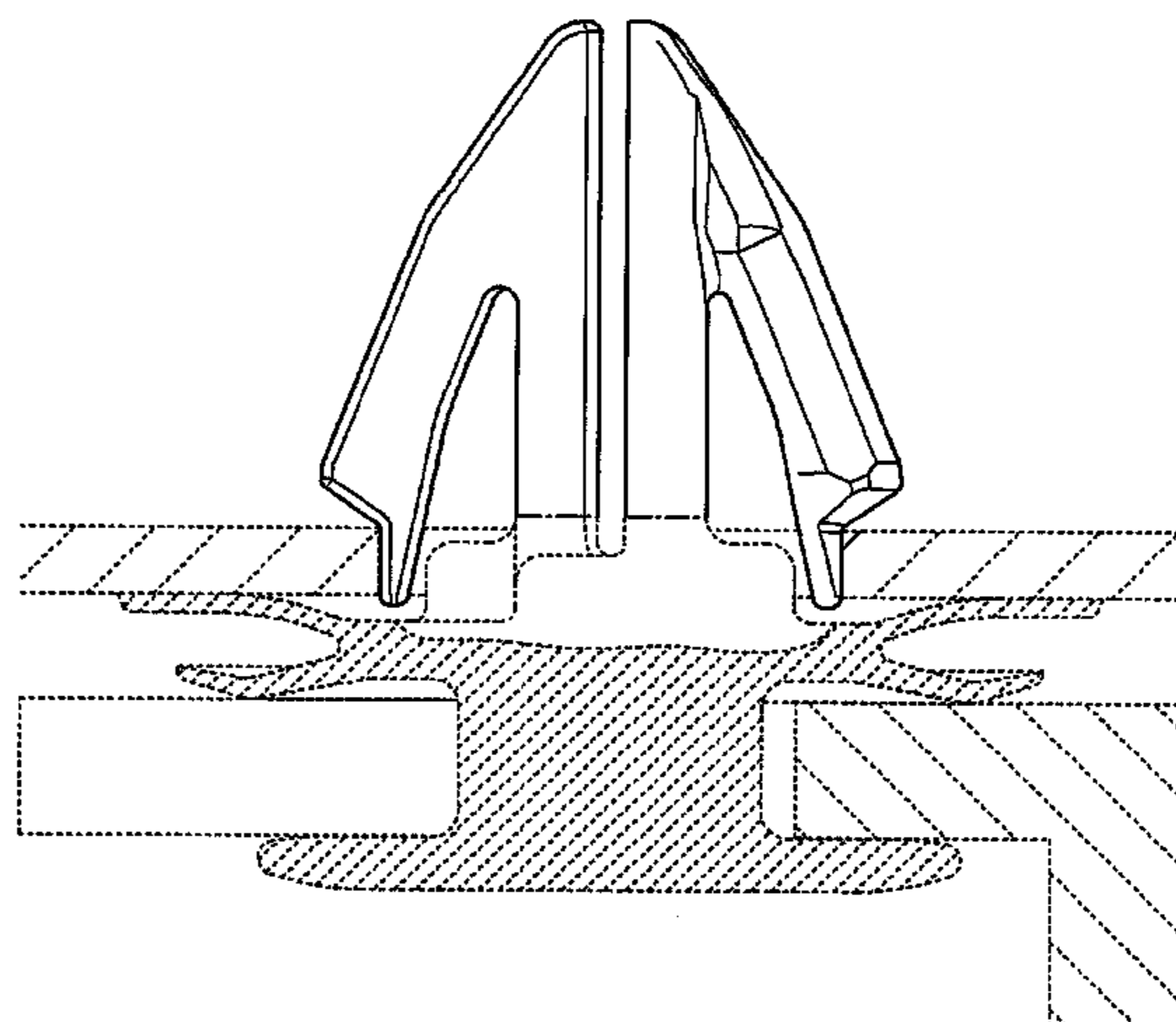
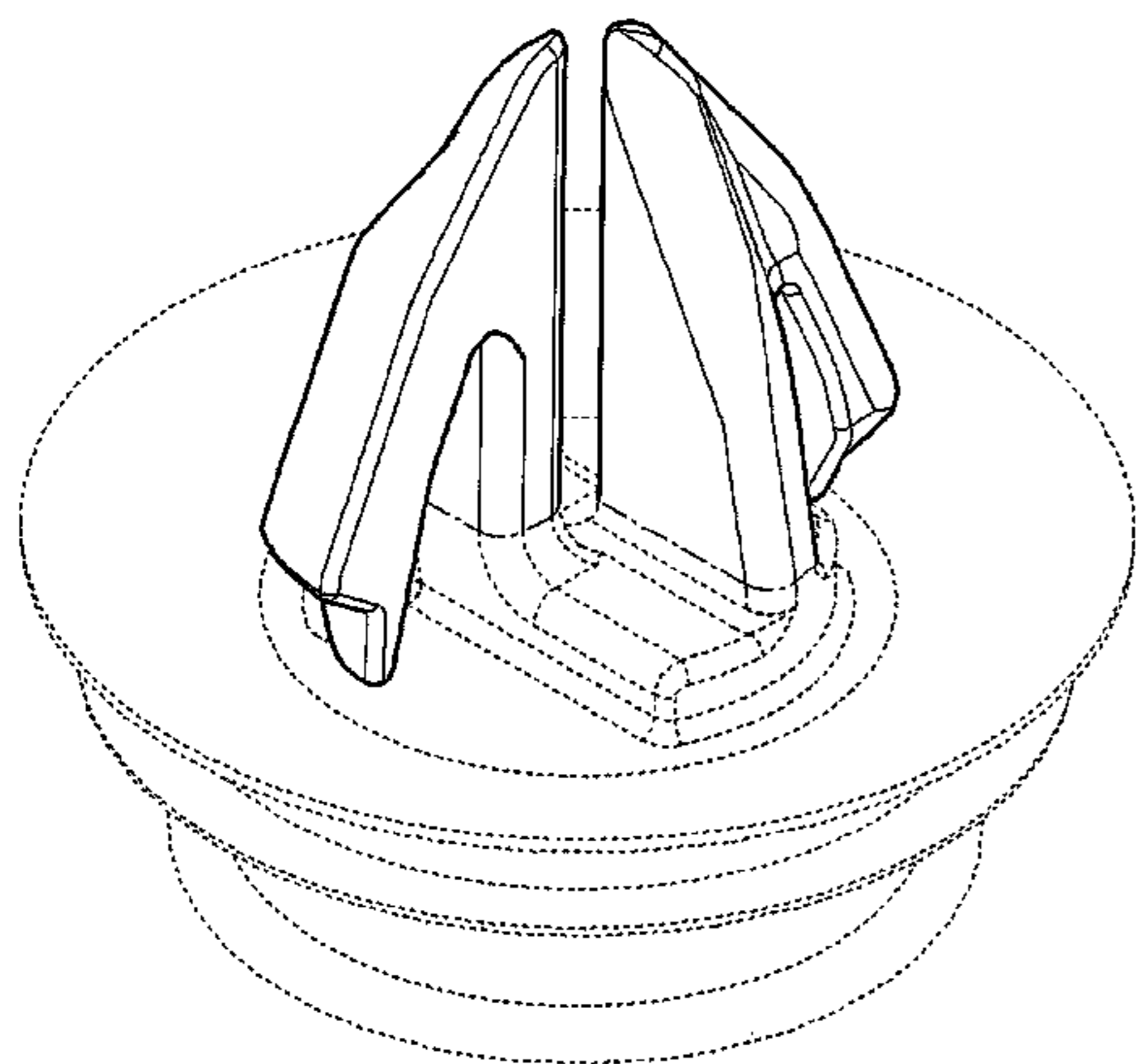
(57) **CLAIM**

The ornamental design for a clip, as shown and described.

DESCRIPTION

FIG. 1 is a perspective view viewed from lateral side of a clip showing our new design;
FIG. 2 is a perspective view viewed from front side thereof;
FIG. 3 is a front elevation view thereof;
FIG. 4 is a right side elevation view thereof;
FIG. 5 is a top plan view thereof;
FIG. 6 is a bottom plan view thereof;
FIG. 7 is a sectional view taken along line VII-VII in FIG. 3;
FIG. 8 is a sectional view taken along line VIII-VIII in FIG. 3;
FIG. 9 is a sectional view taken along line IX-IX in FIG. 5;
FIG. 10 is a reference view showing the state of use; and,
FIG. 11 is a reference view showing the state of use.
The broken lines shown in the drawings represent unclaimed portions of the clip and form no part of the claimed design.

1 Claim, 11 Drawing Sheets



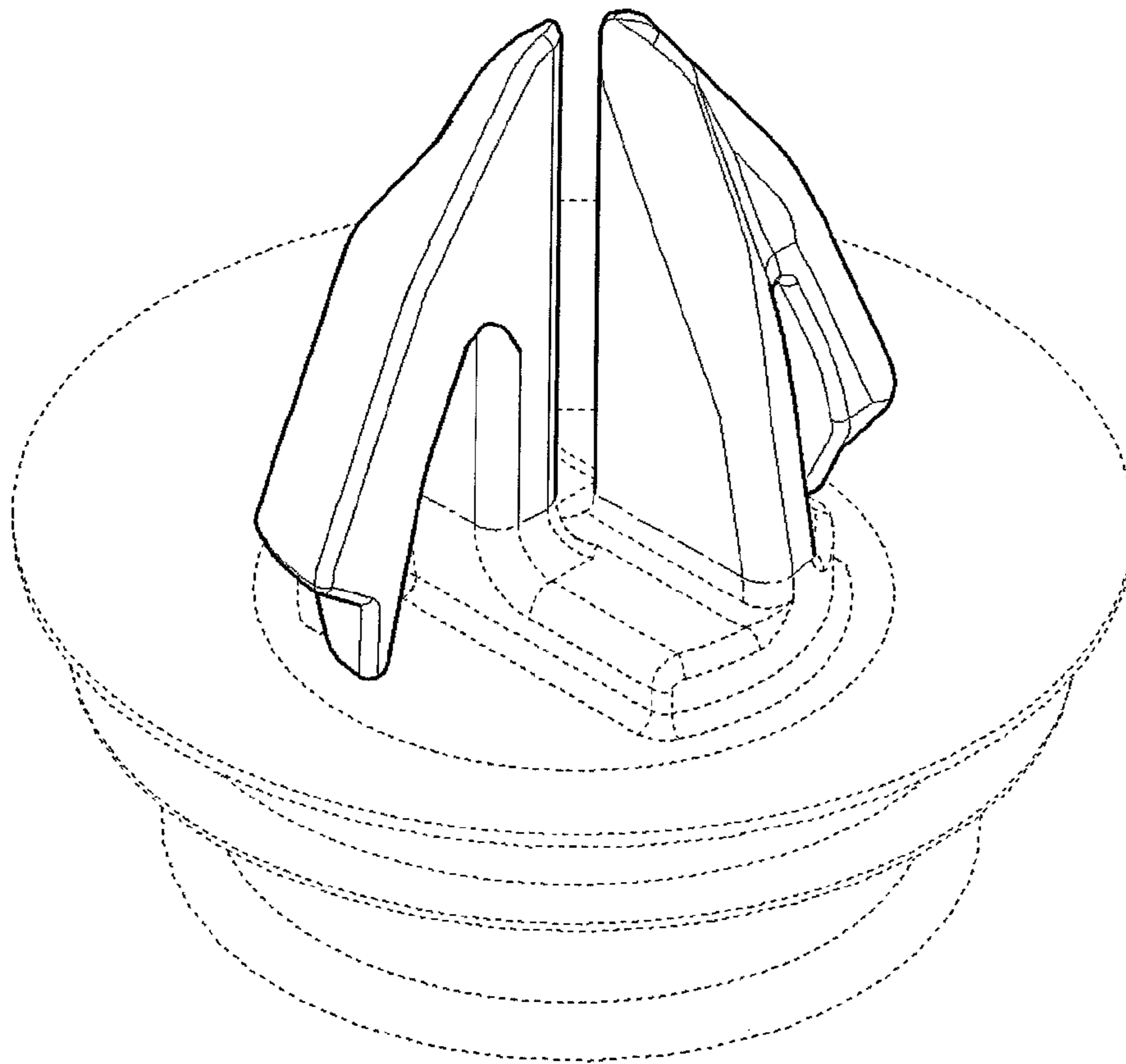


FIG. 1

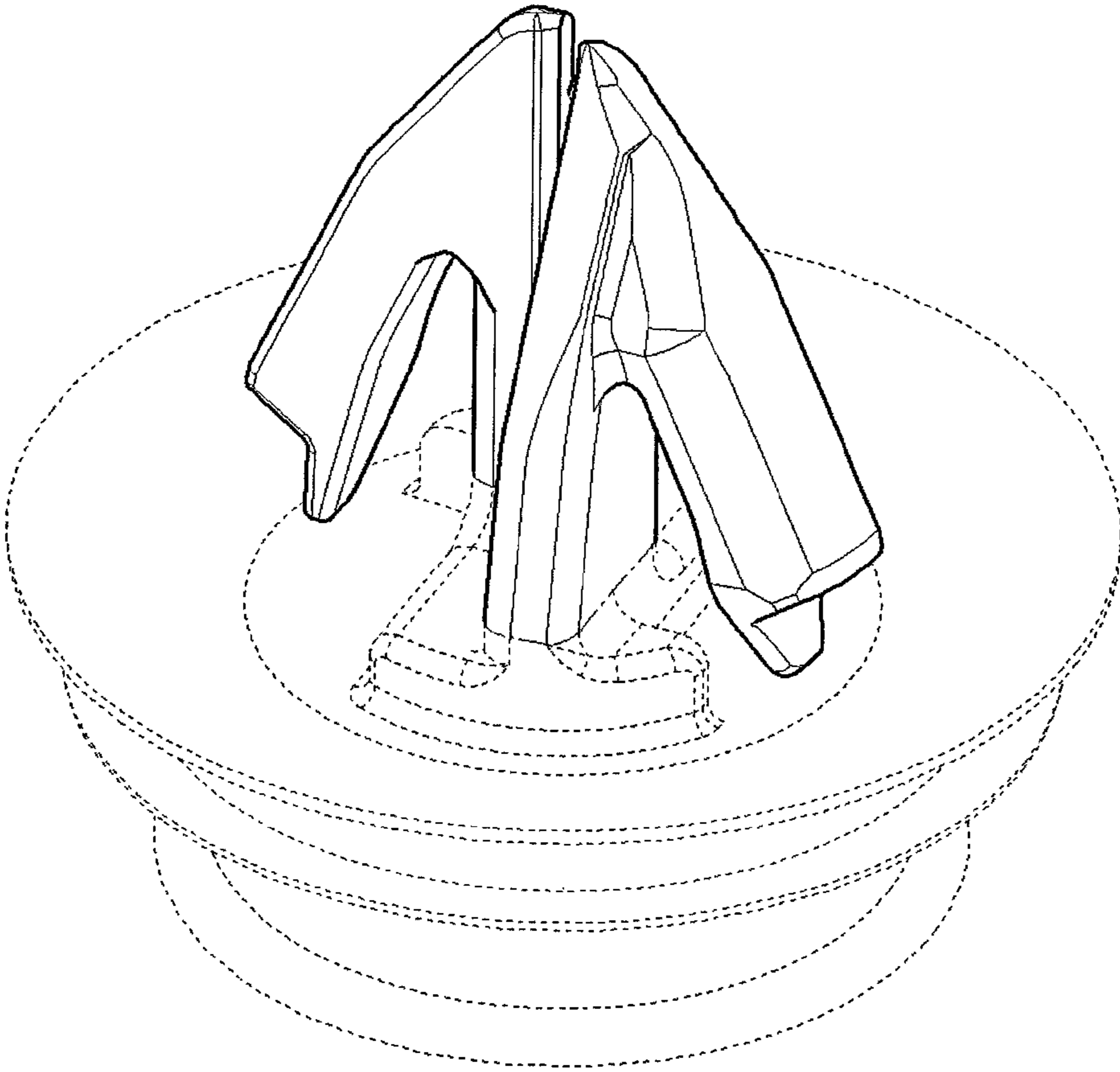


FIG. 2

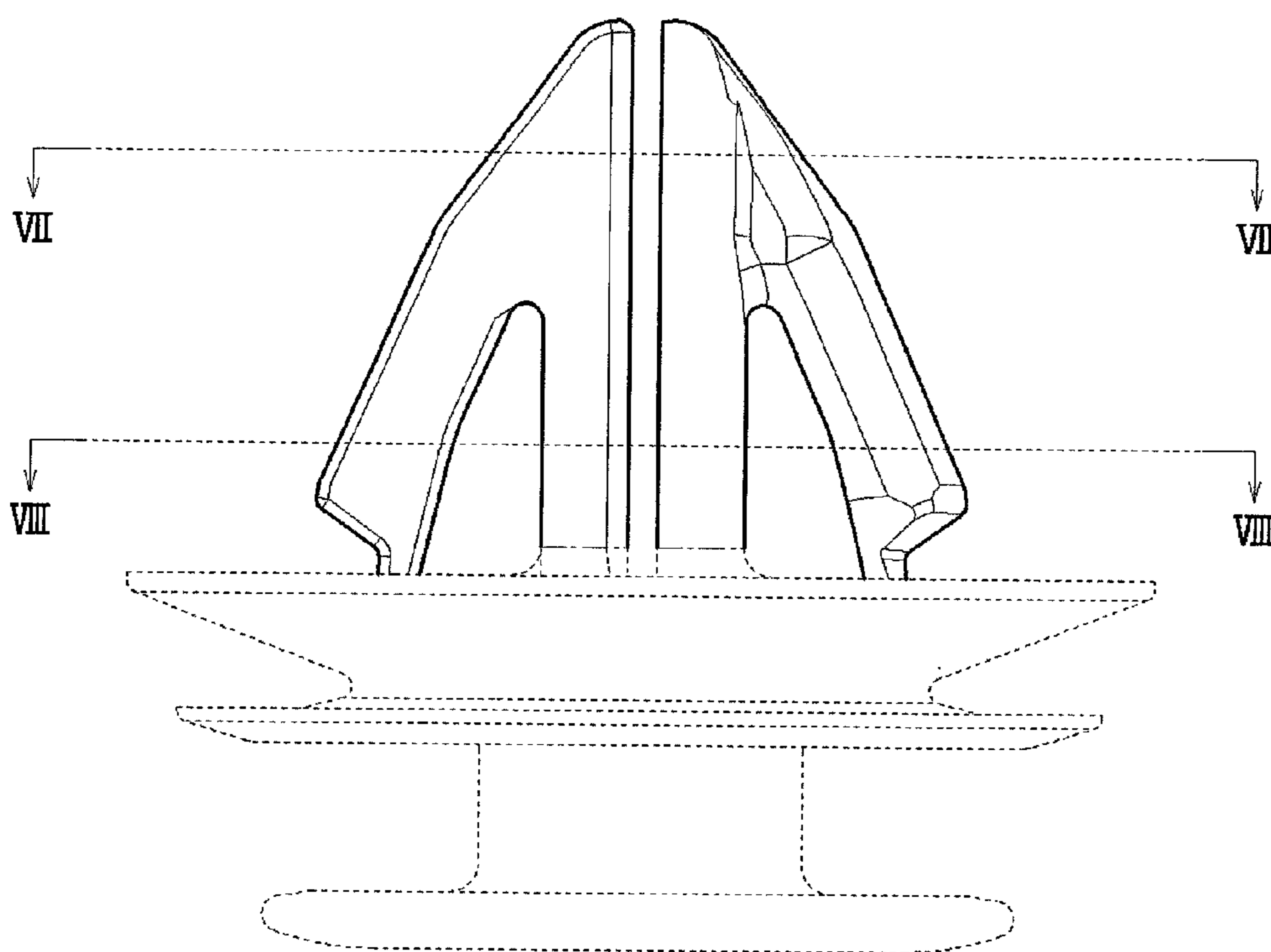


FIG. 3

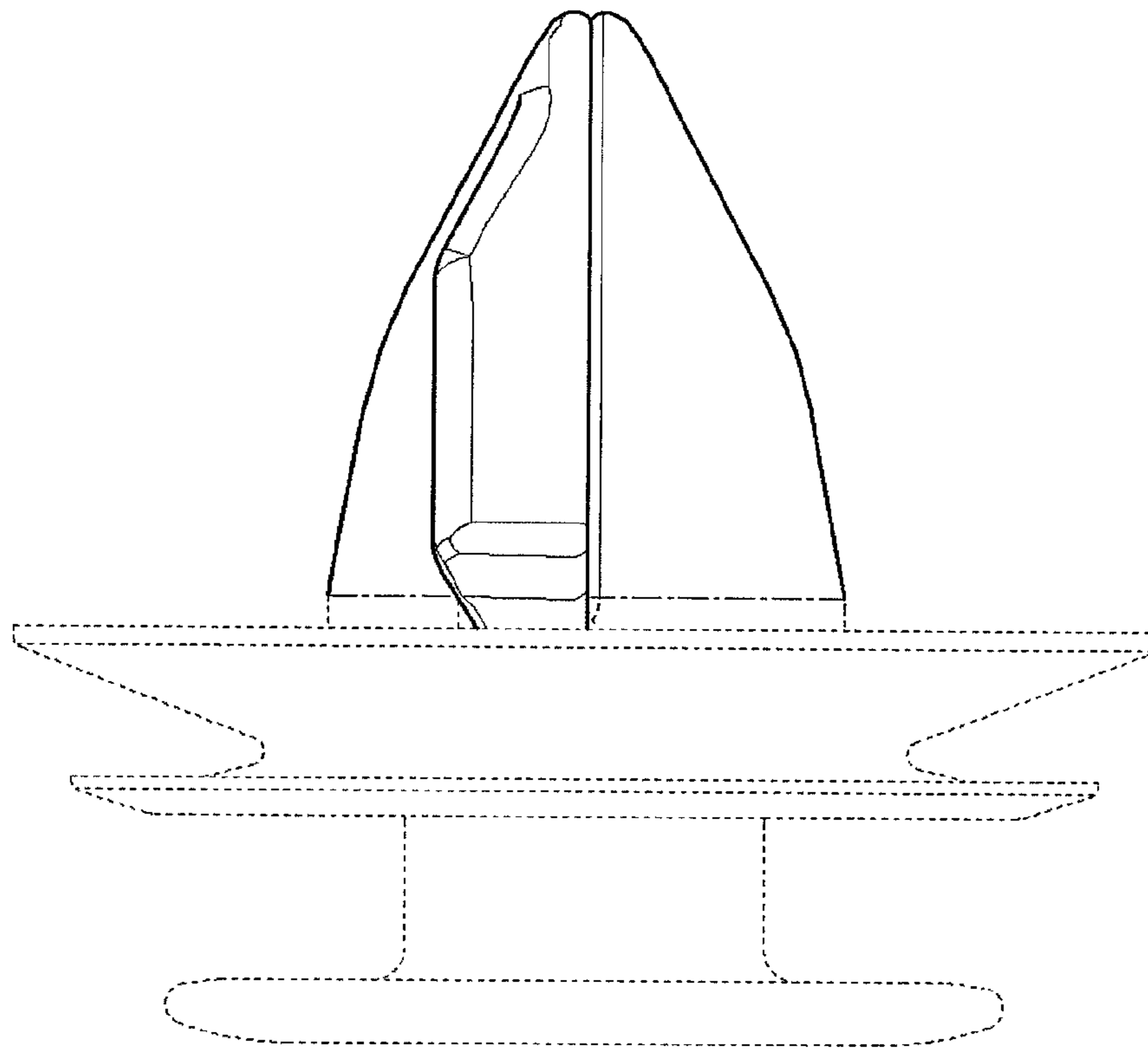


FIG. 4

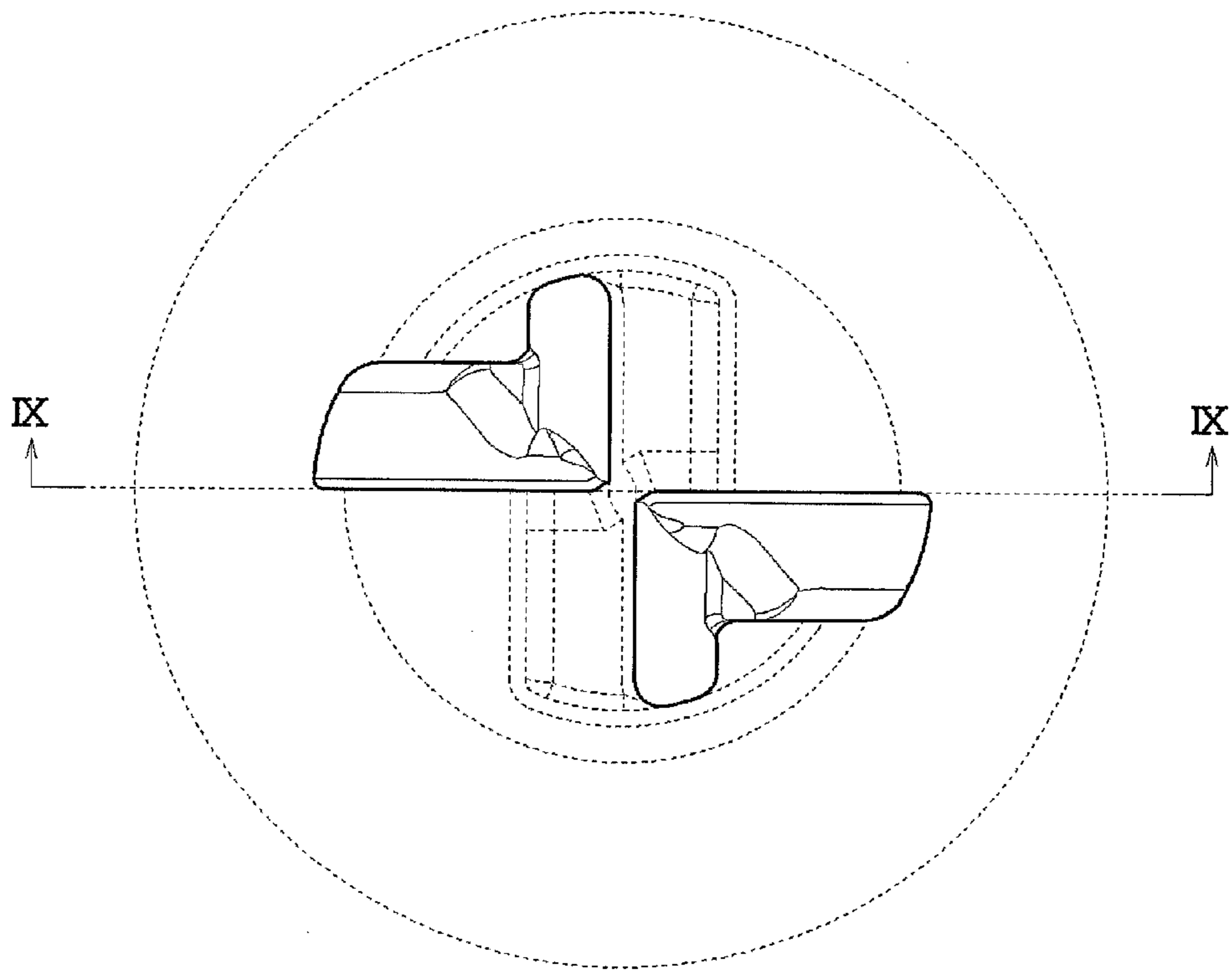


FIG. 5

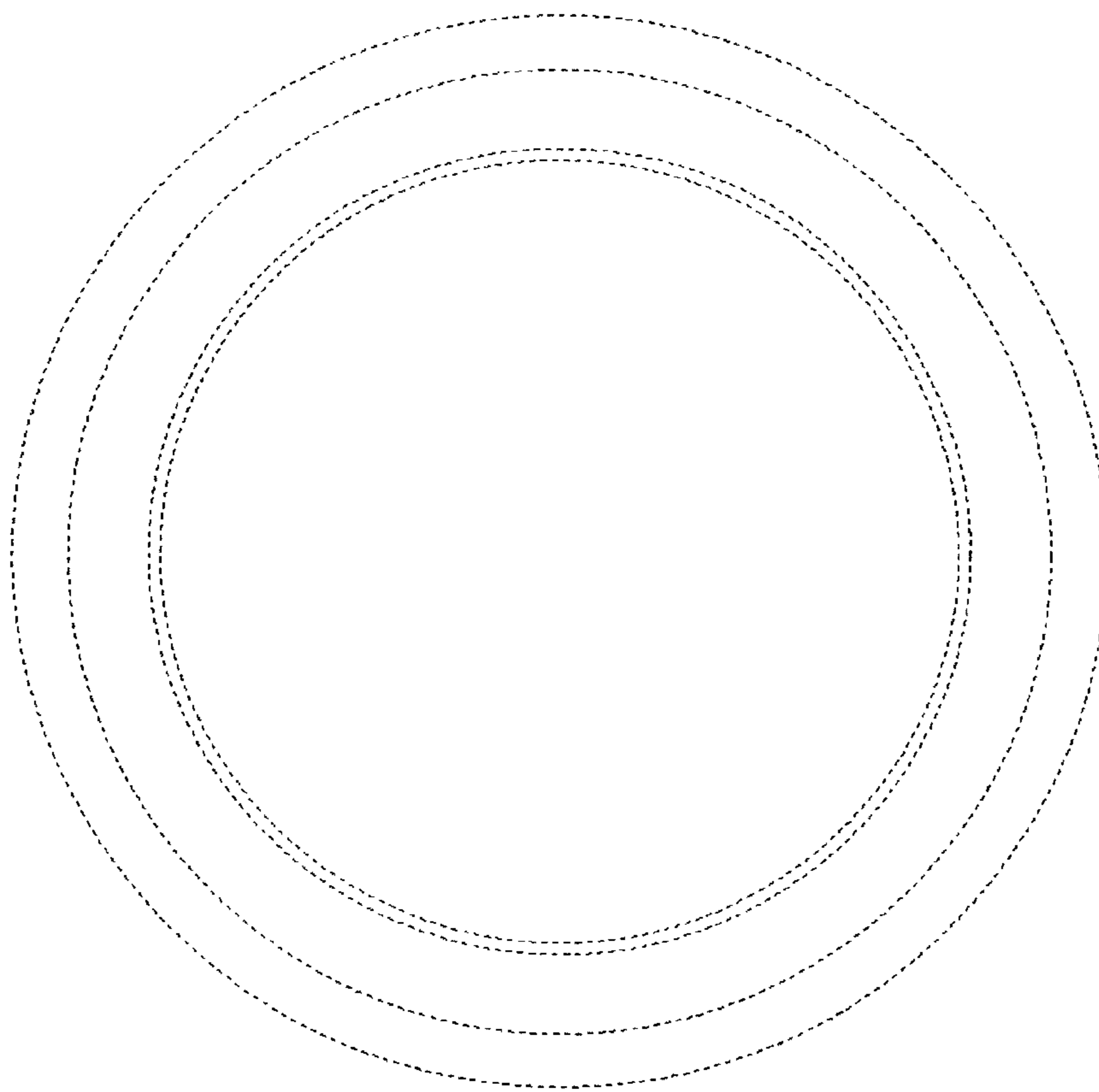


FIG. 6

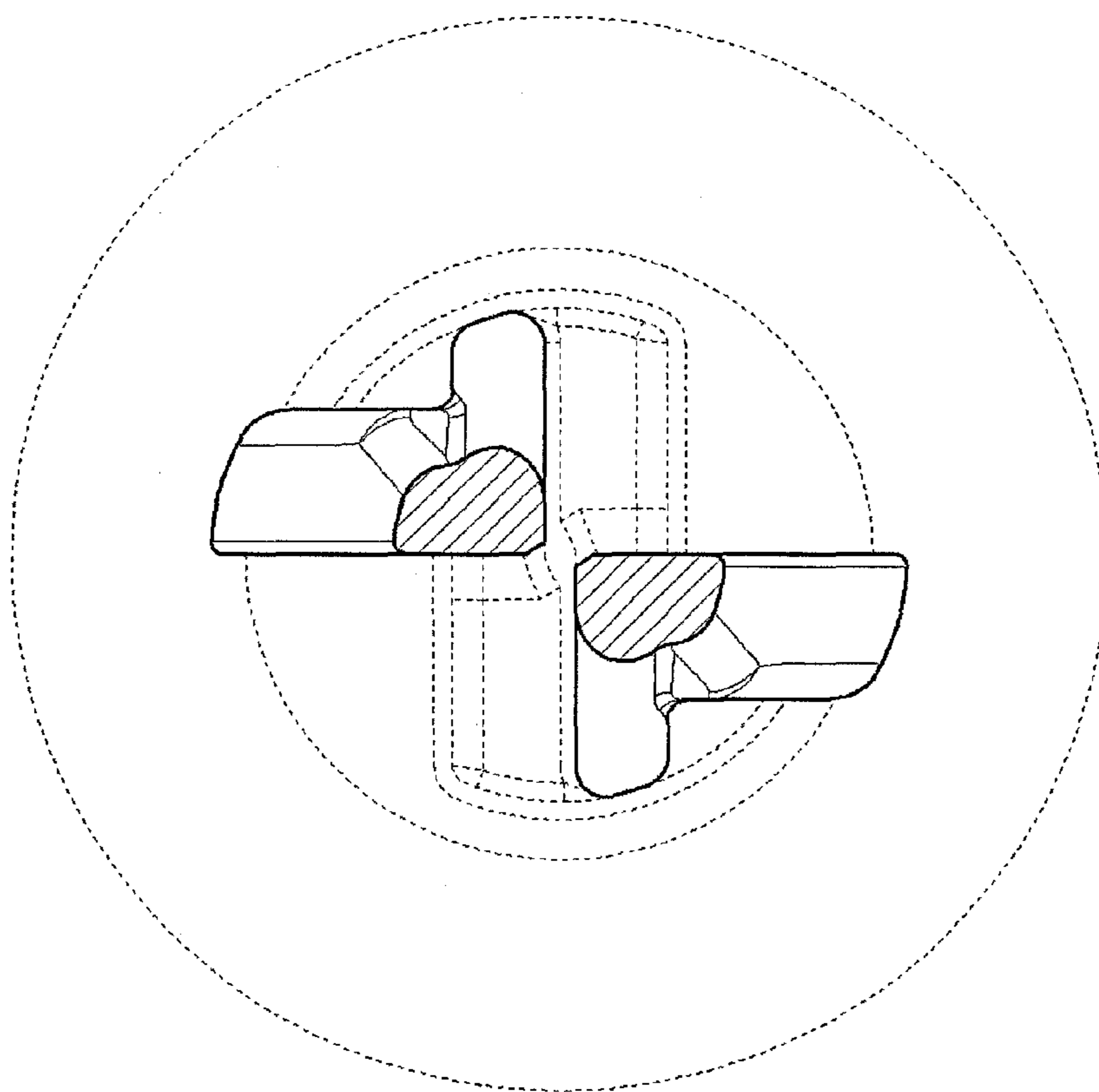


FIG. 7

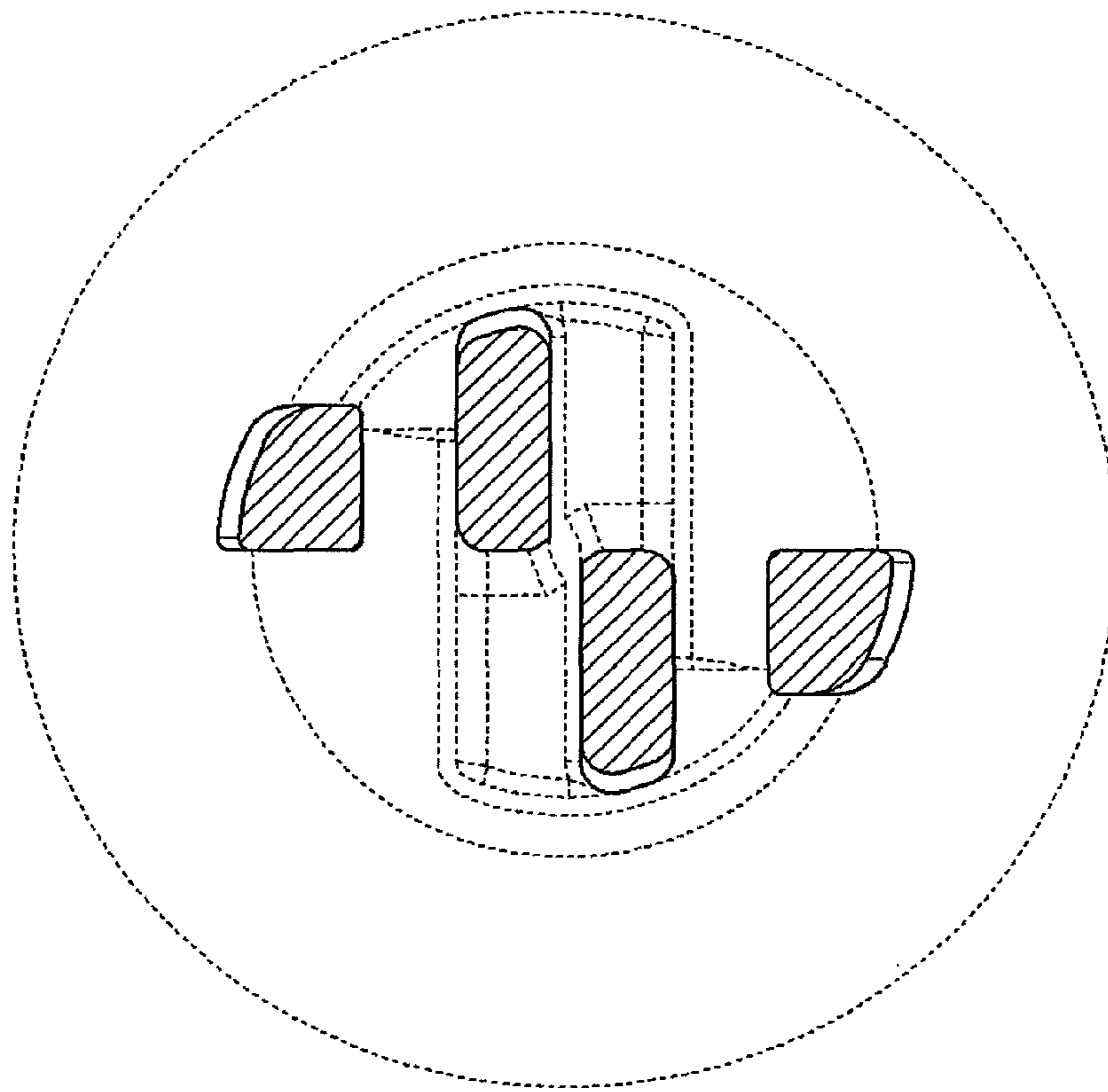


FIG. 8

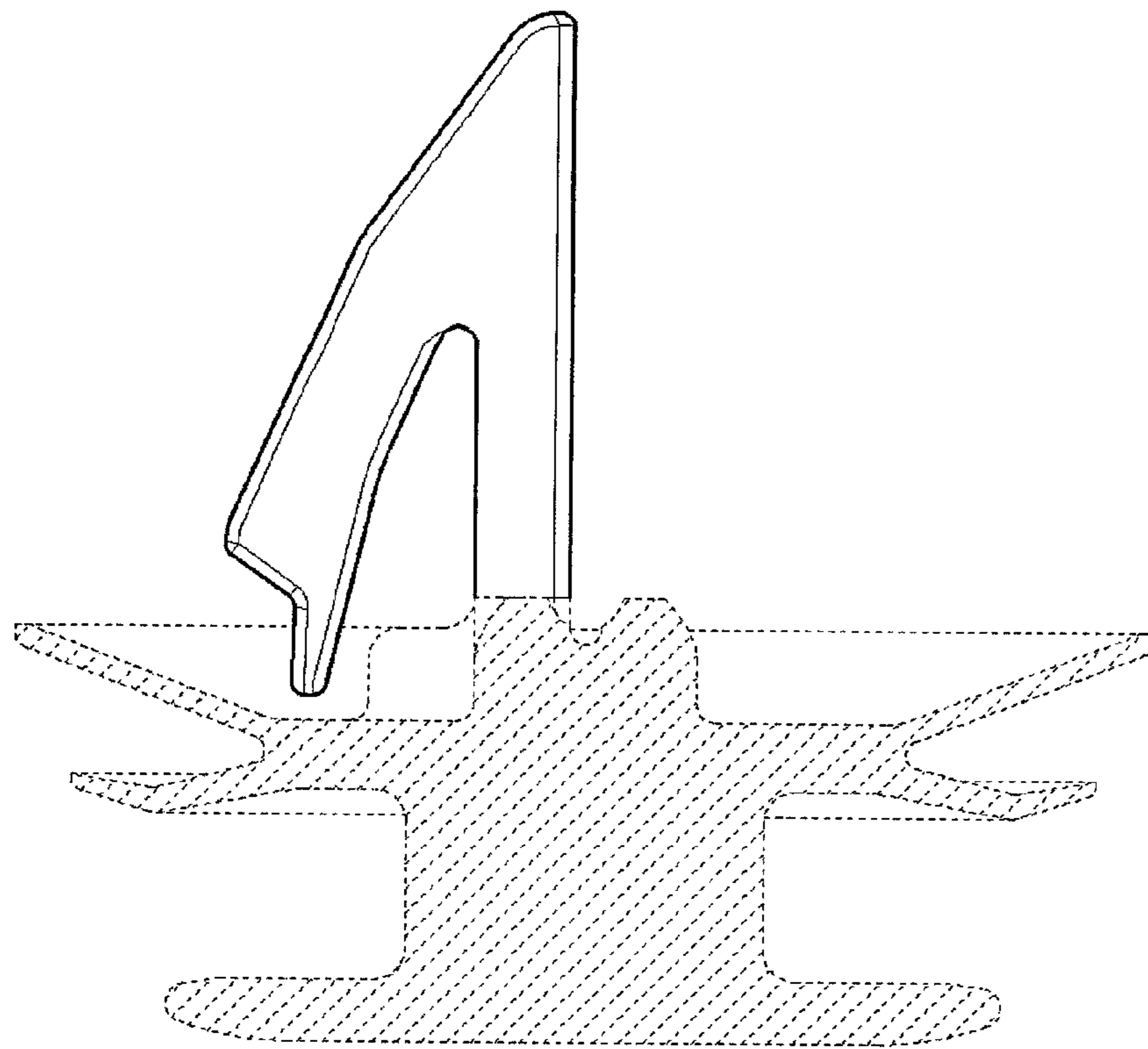


FIG. 9

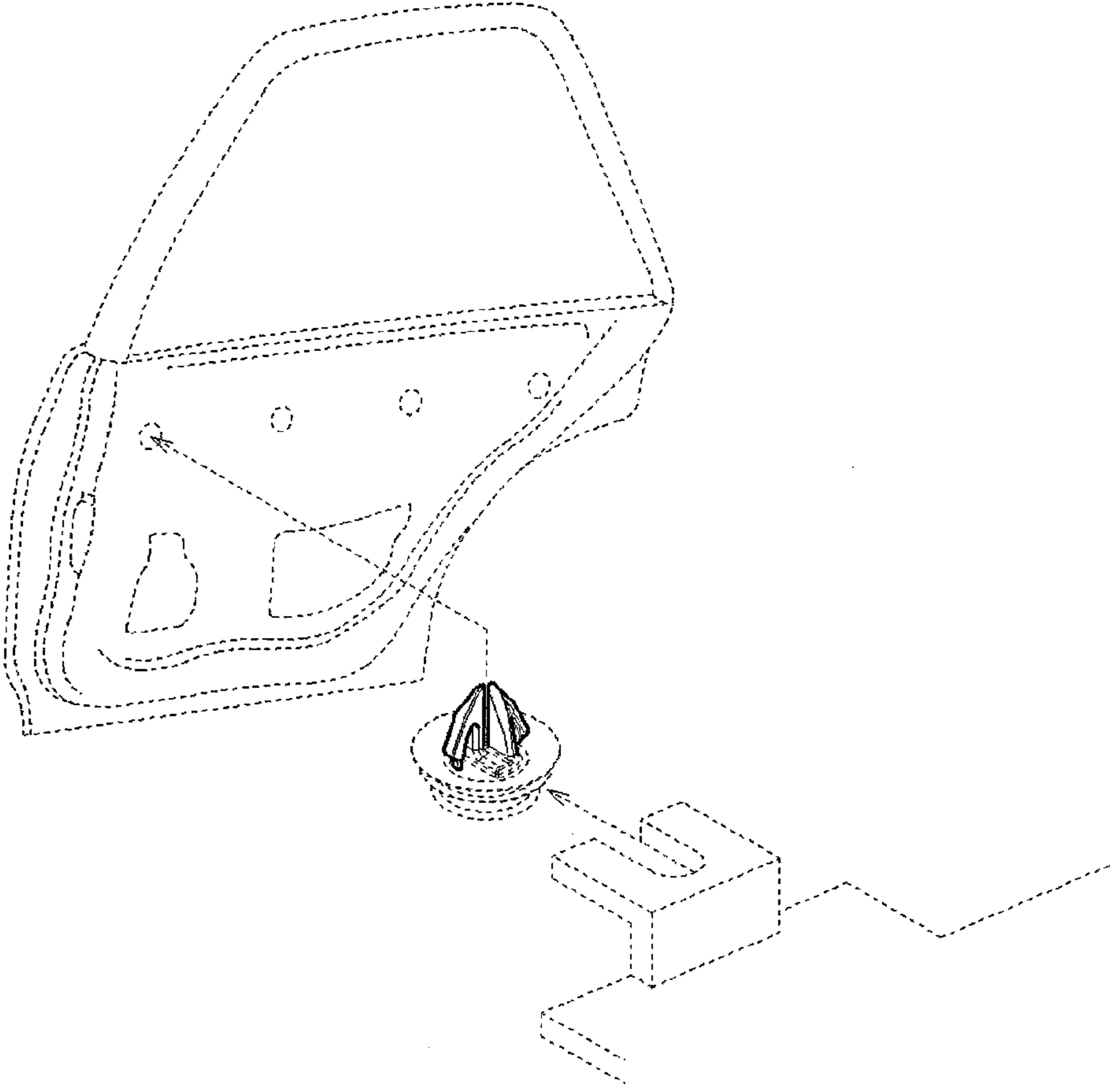


FIG. 10

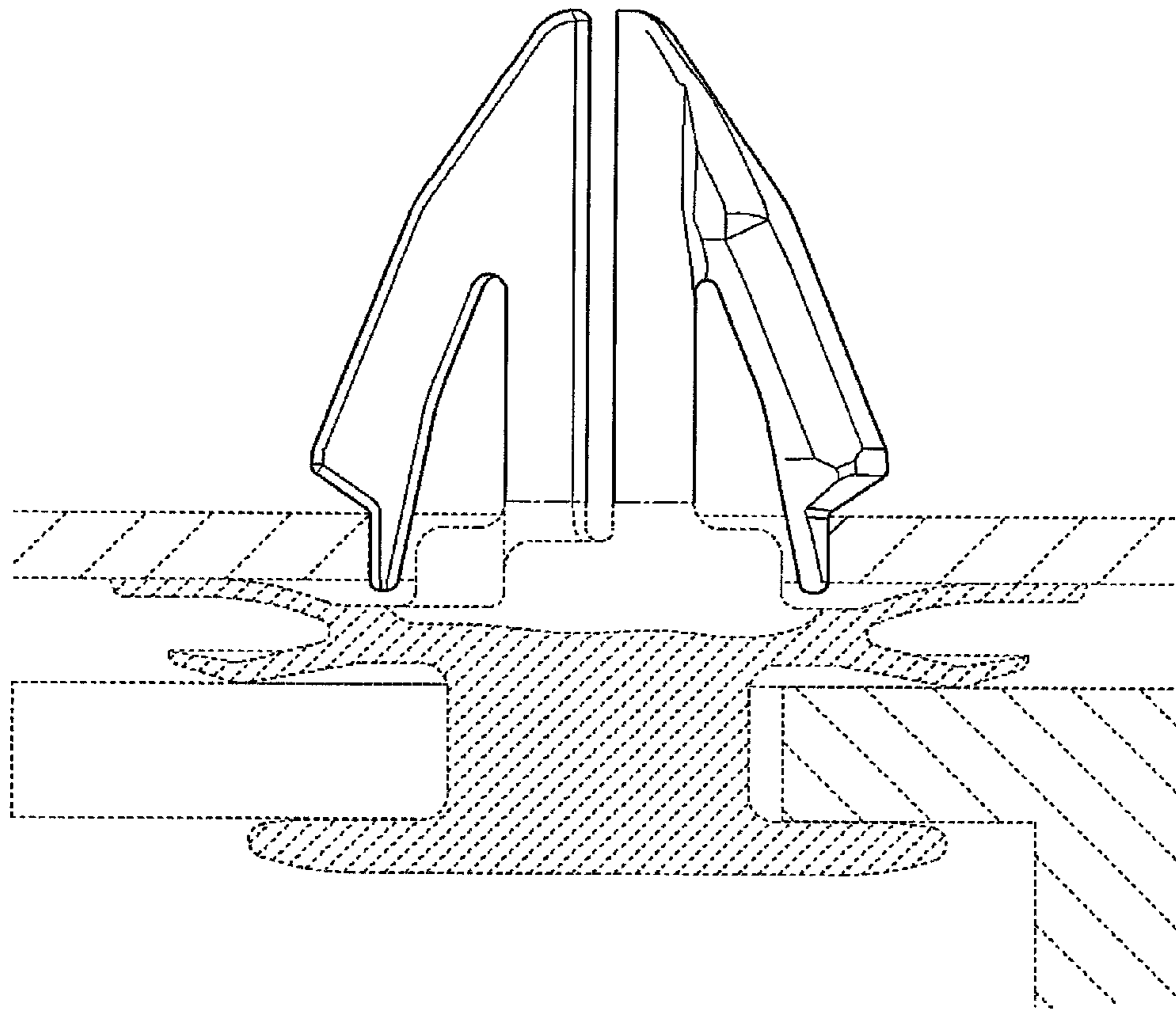


FIG. 11