



US00D701111S

(12) **United States Design Patent**
Bianco et al.

(10) **Patent No.:** **US D701,111 S**
(45) **Date of Patent:** **** Mar. 18, 2014**

- (54) **QUICK RELEASE MECHANISM**
- (75) Inventors: **Mark Lawrence Bianco**, East Palo Alto, CA (US); **Martin Clarence Bringuel**, San Jose, CA (US)
- (73) Assignee: **Trimble Navigation Limited**, Sunnyvale, CA (US)
- (**) Term: **14 Years**
- (21) Appl. No.: **29/415,888**
- (22) Filed: **Mar. 15, 2012**
- (51) **LOC (10) Cl.** **08-08**
- (52) **U.S. Cl.**
USPC **D8/382**
- (58) **Field of Classification Search**
USPC D8/349, 354, 356, 382, 381, 385, 386;
248/200, 300; 411/508, 511; 24/297;
D23/262-264
See application file for complete search history.

- D623,506 S * 9/2010 Ghatikar et al. D8/382
- D632,764 S * 2/2011 Cheng D23/262
- D678,478 S * 3/2013 Thielbar D23/248

* cited by examiner

Primary Examiner — Sheryl Lane

(57) **CLAIM**

We claim the ornamental design for a quick release mechanism, as shown and described.

DESCRIPTION

FIG. 1 is an exploded upper left front perspective view of the male and female portions of our quick release mechanism showing our new design.

FIG. 2 is a front elevational view of the female portion of our quick release mechanism;

FIG. 3 is a right side elevational view of the female portion of our quick release mechanism, the left side elevational view is a mirror image thereof;

FIG. 4 is a rear elevational view of the female portion of our quick release mechanism;

FIG. 5 is a top plan view of the female portion of our quick release mechanism;

FIG. 6 is a bottom plan view of the female portion of our quick release mechanism;

FIG. 7 is a side elevational view of the male portion of our quick release mechanism, all sides are identical thereto;

FIG. 8 is a top plan view of the male portion of our quick release mechanism; and,

FIG. 9 is a bottom plan view of the male portion of our quick release mechanism.

The broken lines represent portions of the article and form no part of the claimed design.

(56) **References Cited**

U.S. PATENT DOCUMENTS

- 4,605,335 A * 8/1986 Otrusina 403/348
- 4,619,569 A * 10/1986 Wright 411/347
- D291,479 S * 8/1987 Padilla et al. D23/264
- 4,907,981 A * 3/1990 Gallusser et al. 439/258
- 5,375,286 A * 12/1994 Harrah 15/147.1
- D438,938 S * 3/2001 Cleek D23/263
- D460,347 S * 7/2002 Berry D8/382
- D481,228 S * 10/2003 Shilling et al. D6/499
- D552,691 S * 10/2007 Tak D21/480
- D563,212 S * 3/2008 Campbell D8/382

1 Claim, 3 Drawing Sheets

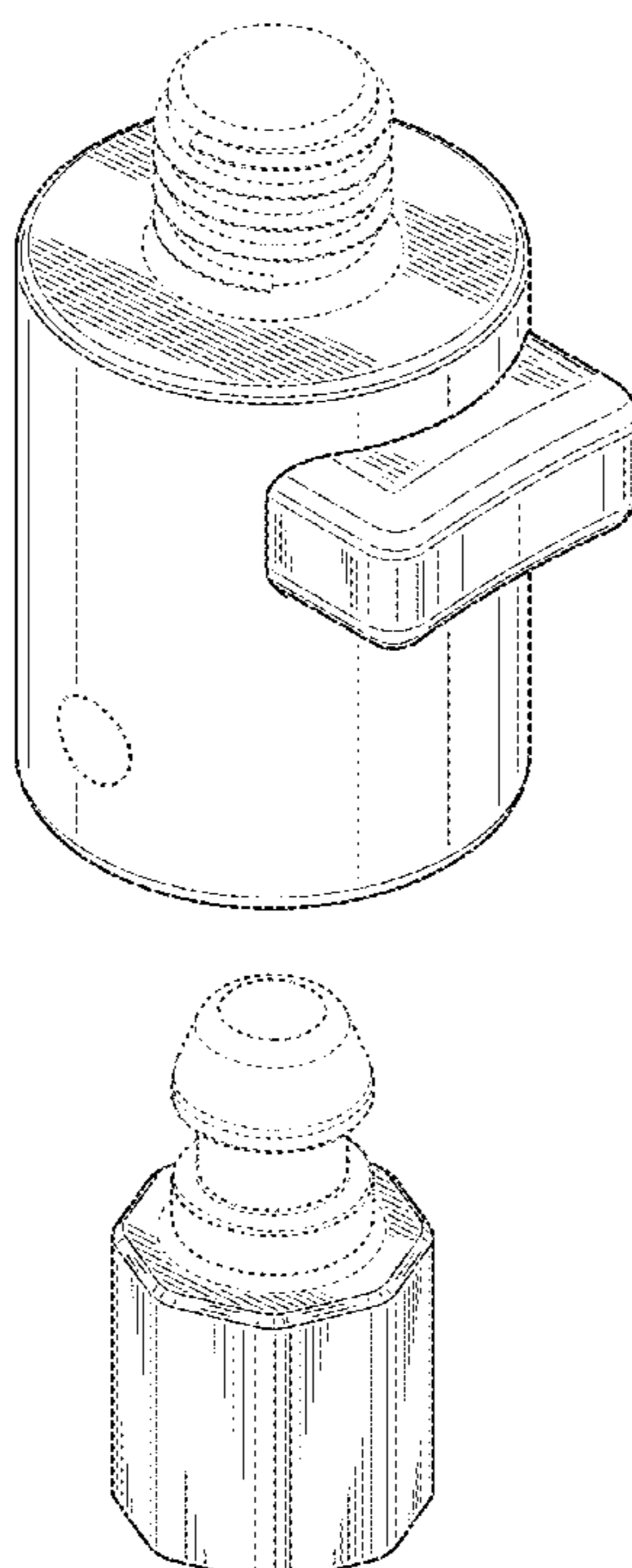
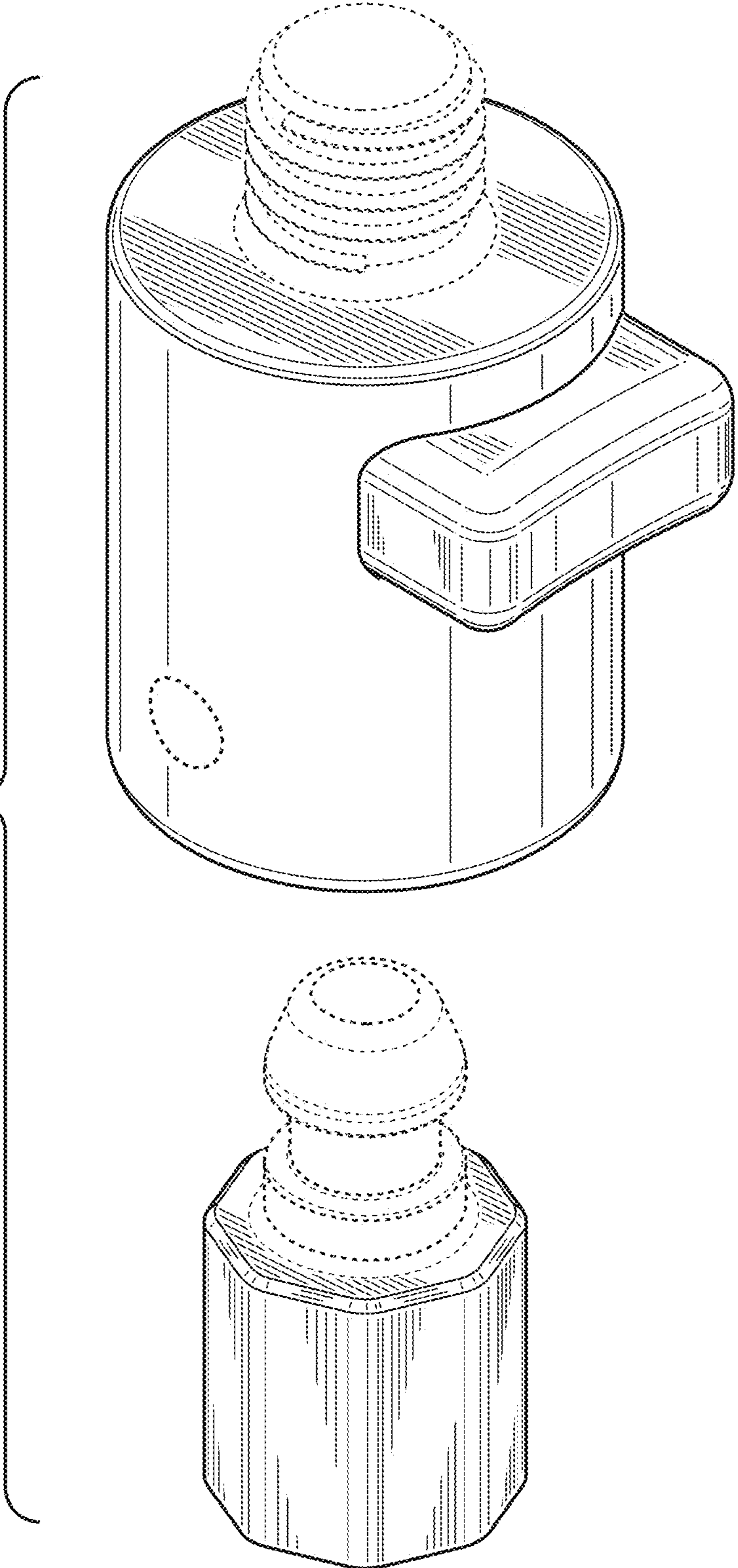


FIG. 1



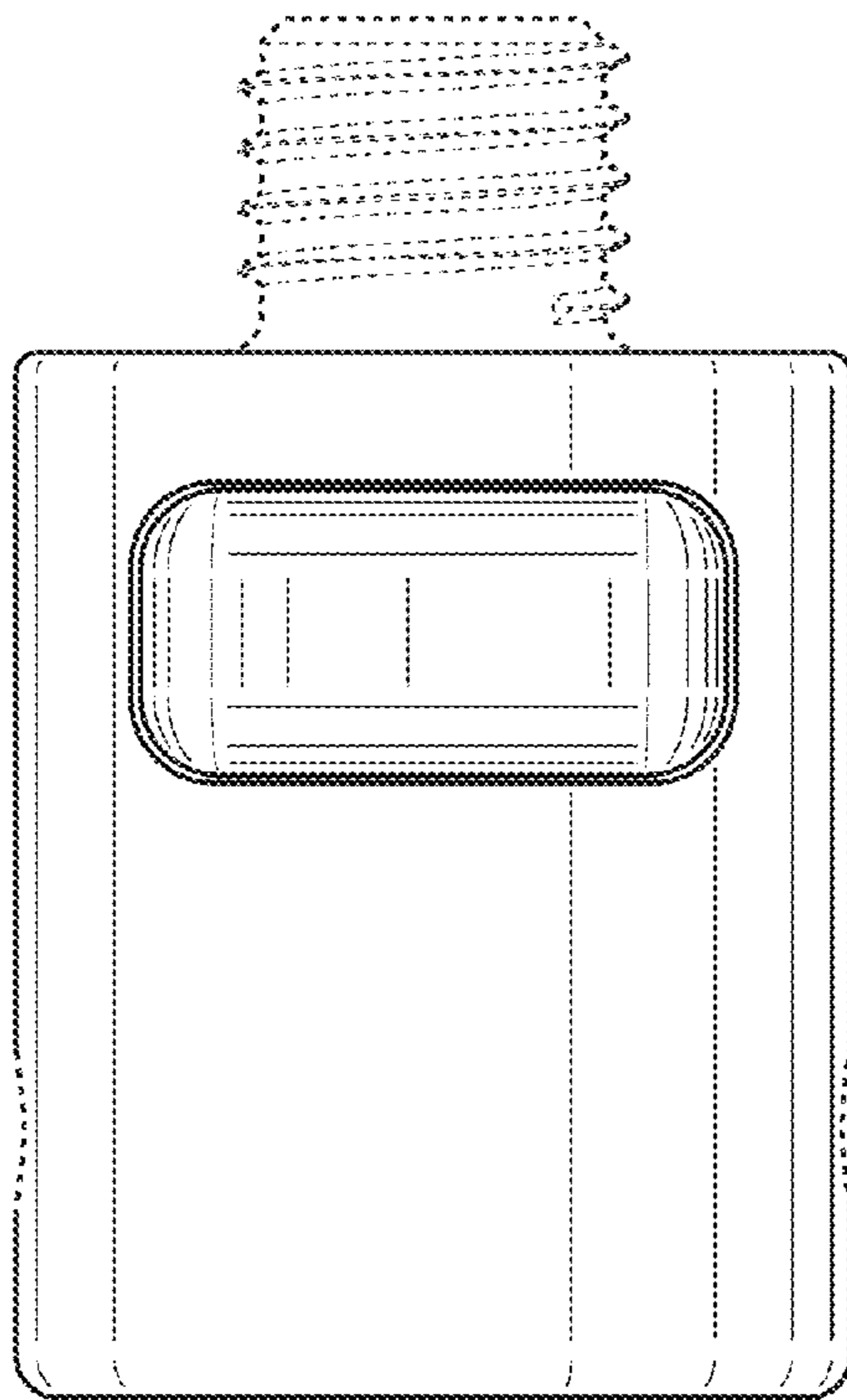


FIG. 2

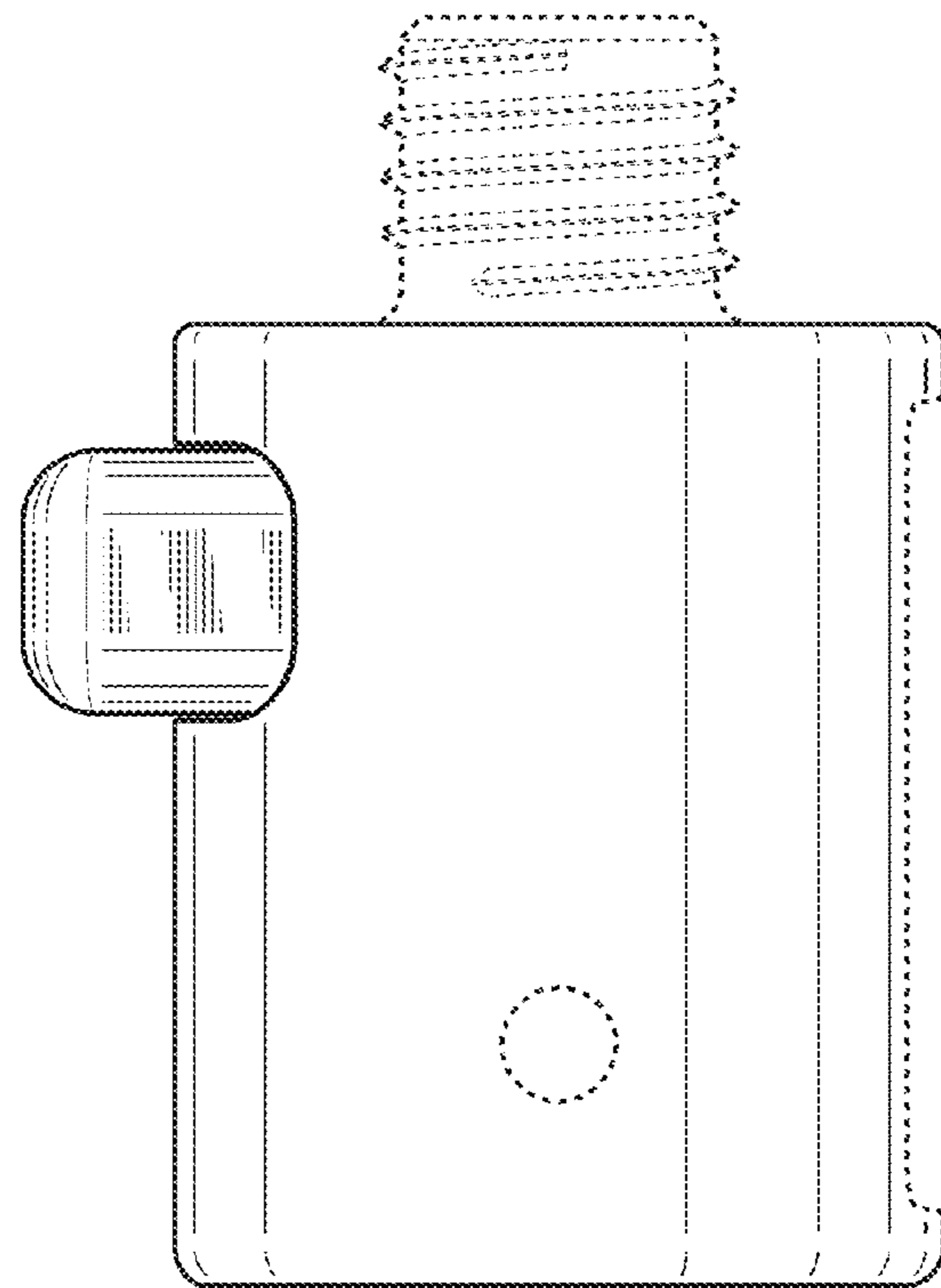


FIG. 3

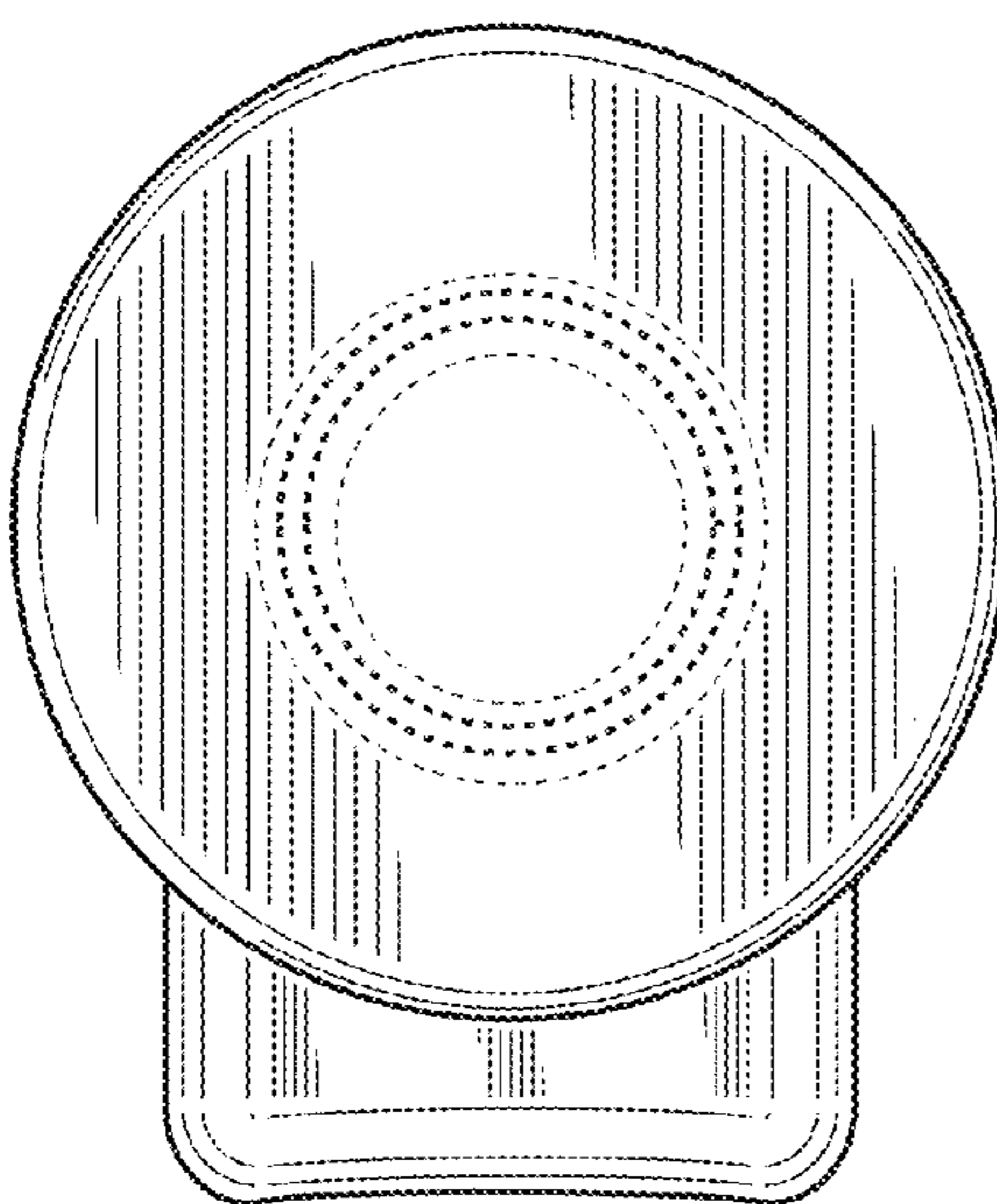


FIG. 5

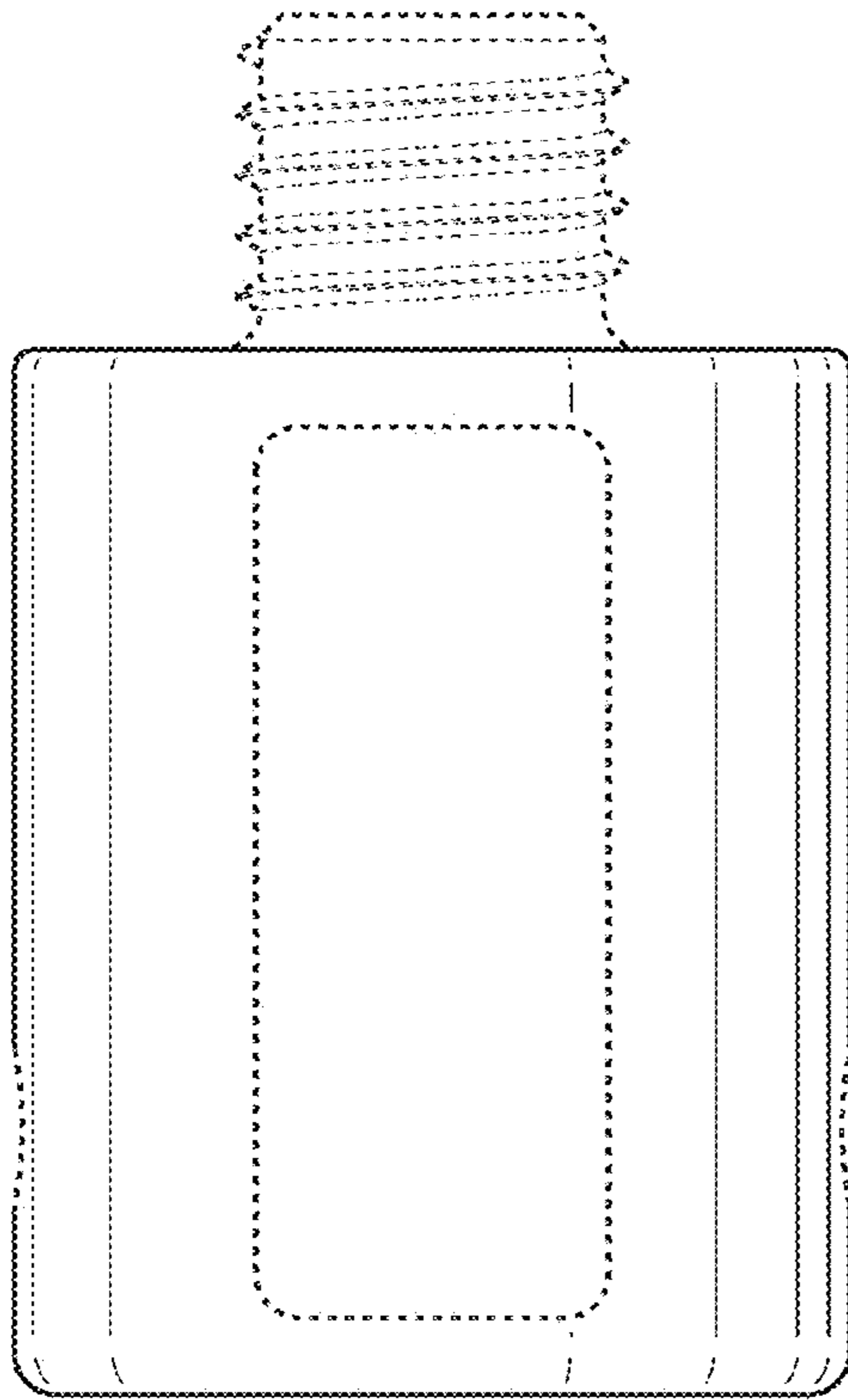


FIG. 4

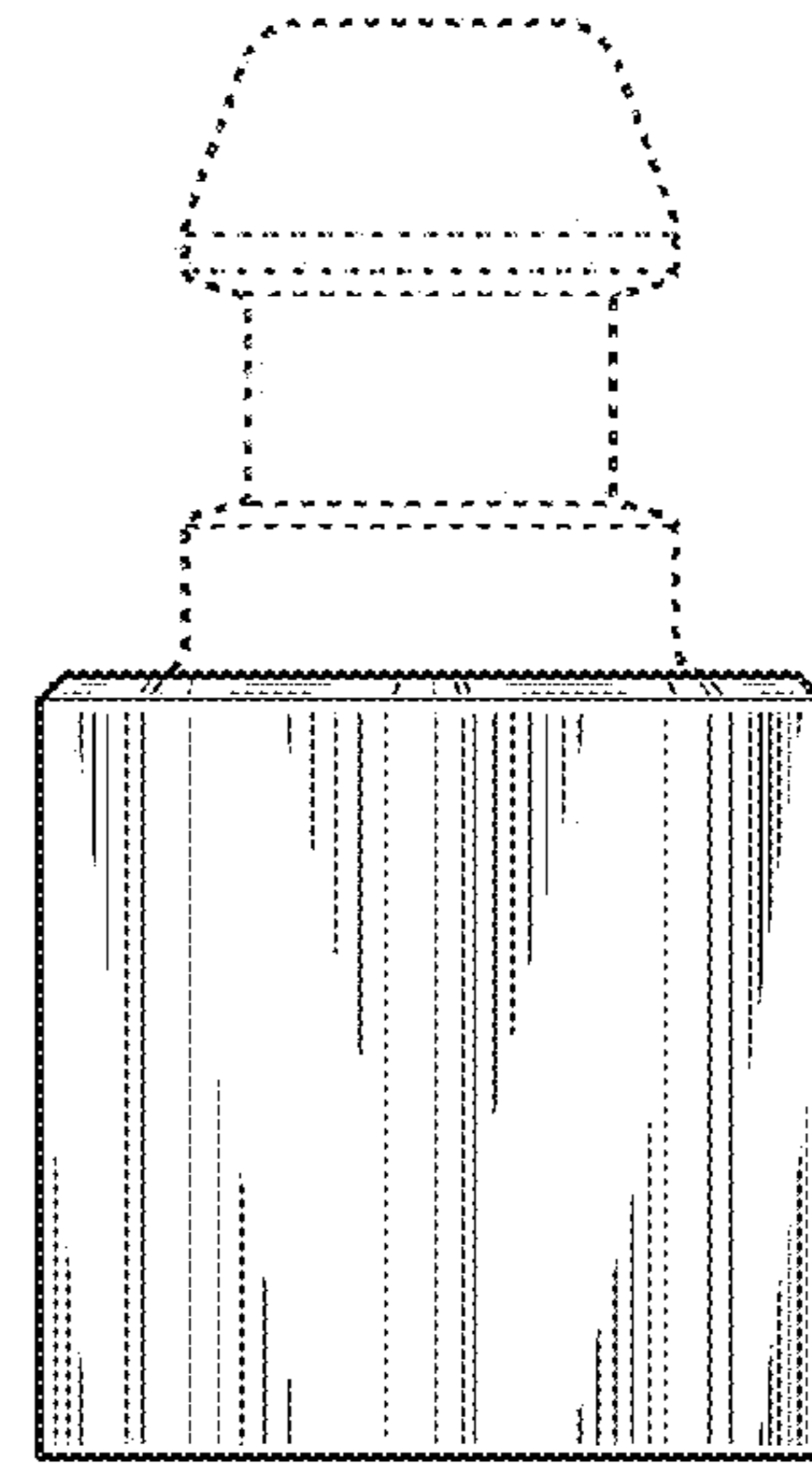


FIG. 7

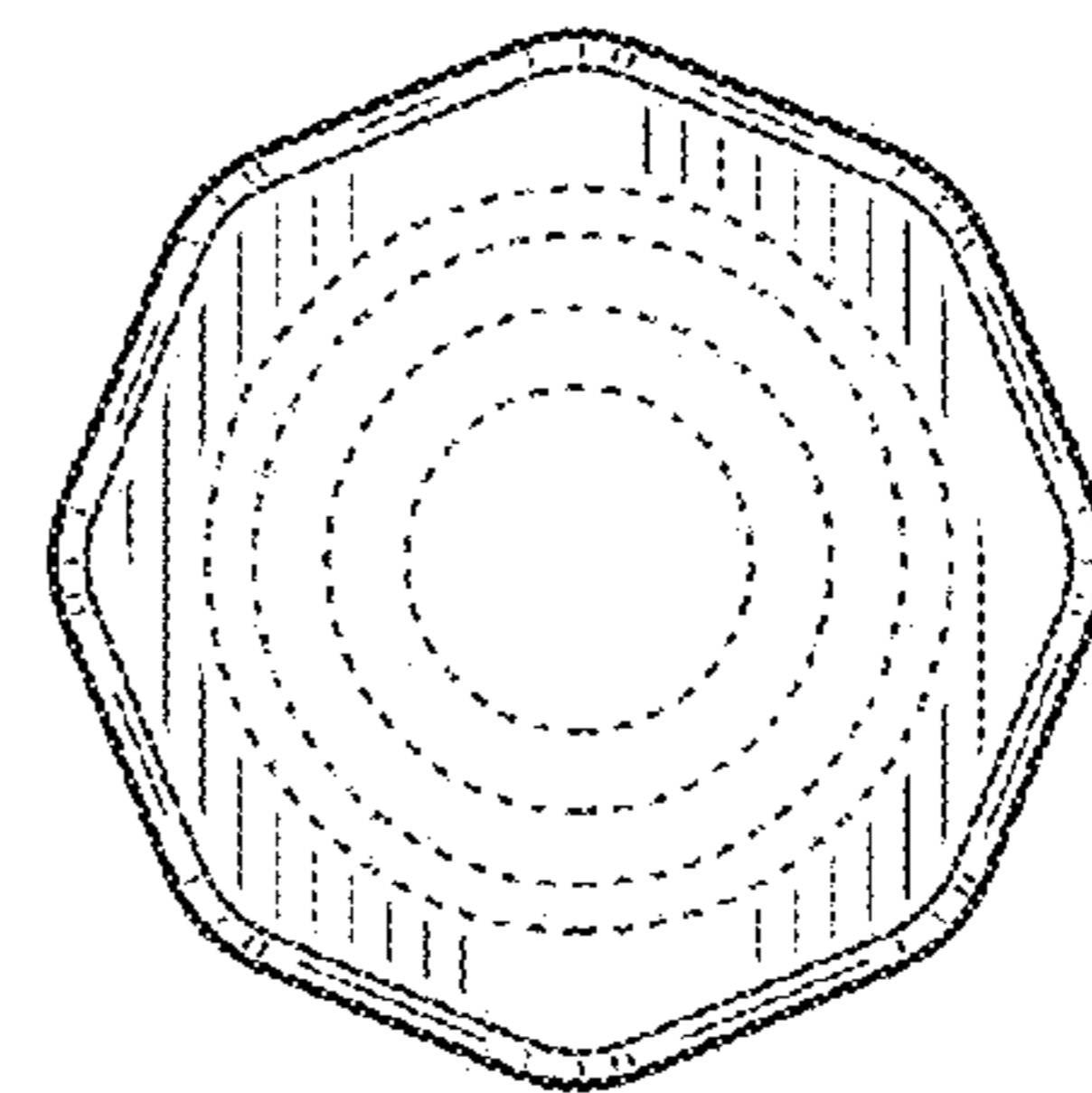


FIG. 8

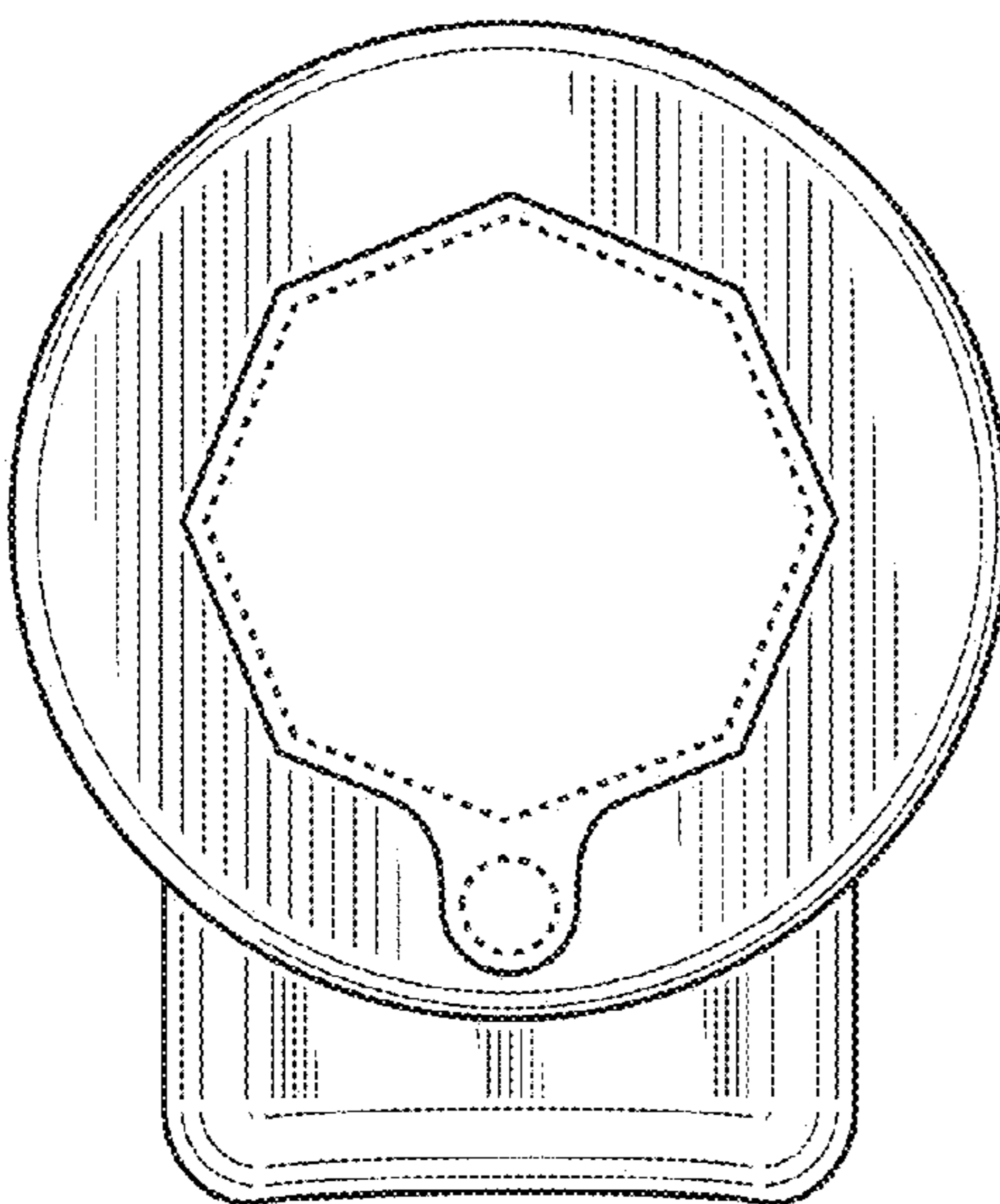


FIG. 6

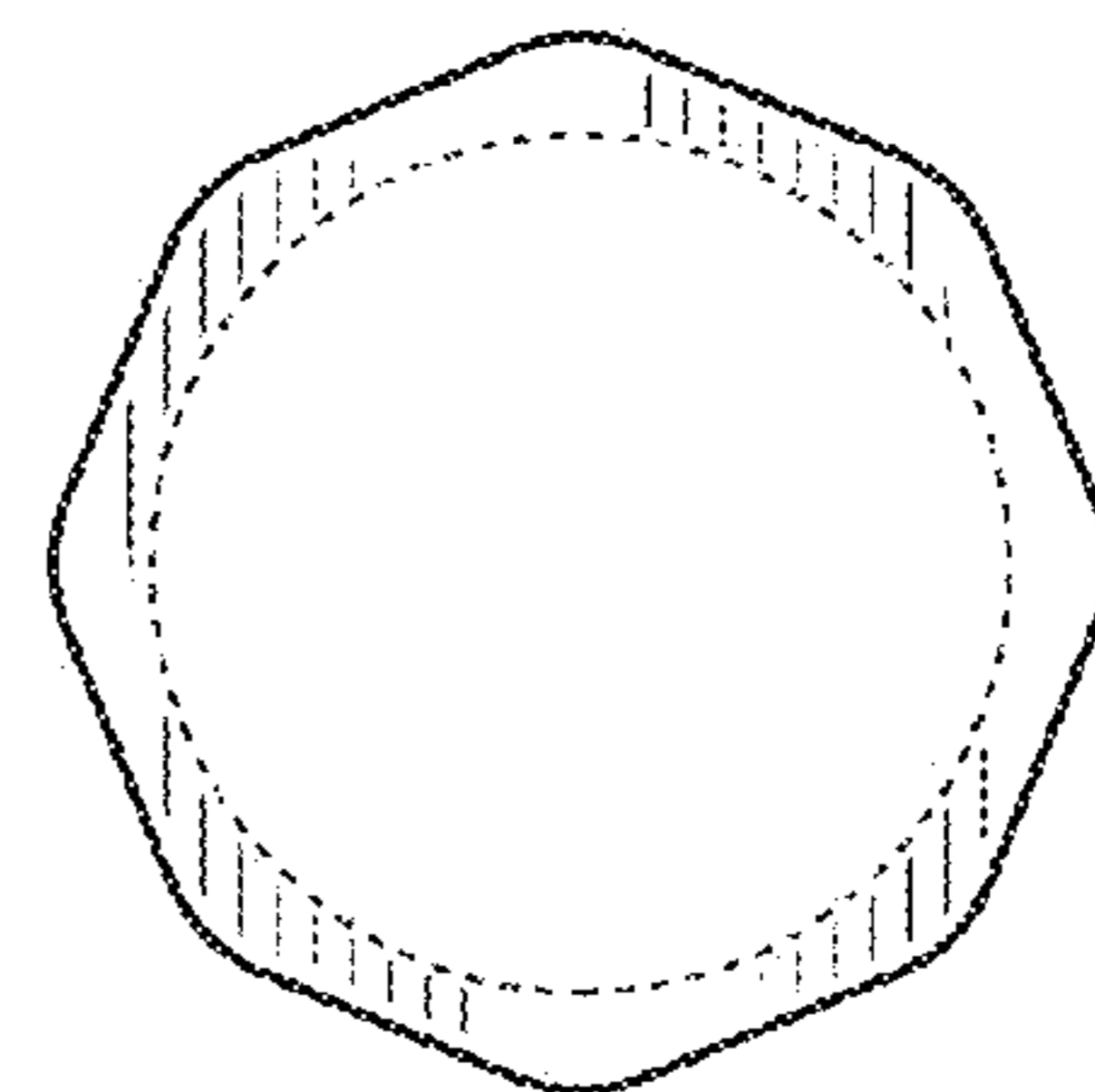


FIG. 9