



US00D701110S

(12) **United States Design Patent**  
**Symons**

(10) **Patent No.:** **US D701,110 S**  
(45) **Date of Patent:** **\*\* Mar. 18, 2014**

- (54) **HOOK**
- (71) Applicant: **Bluelounge Pte. Ltd**, Wilkie Edge (SG)
- (72) Inventor: **Dominic Symons**, Pasadena, CA (US)
- (73) Assignee: **Bluelounge Pte. Ltd.**, Wilkie Edge (SG)
- (\*\*) Term: **14 Years**
- (21) Appl. No.: **29/433,341**
- (22) Filed: **Sep. 28, 2012**
- (51) **LOC (10) Cl.** ..... **08-05**
- (52) **U.S. Cl.**  
USPC ..... **D8/373**
- (58) **Field of Classification Search**  
USPC ..... D8/367, 373; 248/301, 304, 214–215  
See application file for complete search history.

5,429,284 A *	7/1995	Kolton et al. ....	223/85
D389,728 S *	1/1998	Fitzwater .....	D8/367
D424,914 S *	5/2000	Hatch .....	D8/373
D511,088 S *	11/2005	Chiu .....	D8/367
D630,497 S *	1/2011	Allina et al. ....	D8/356

\* cited by examiner

*Primary Examiner* — Holly Baynham

(74) *Attorney, Agent, or Firm* — Todd R. Miller

(57) **CLAIM**  
The ornamental design for a hook, as shown.

**DESCRIPTION**

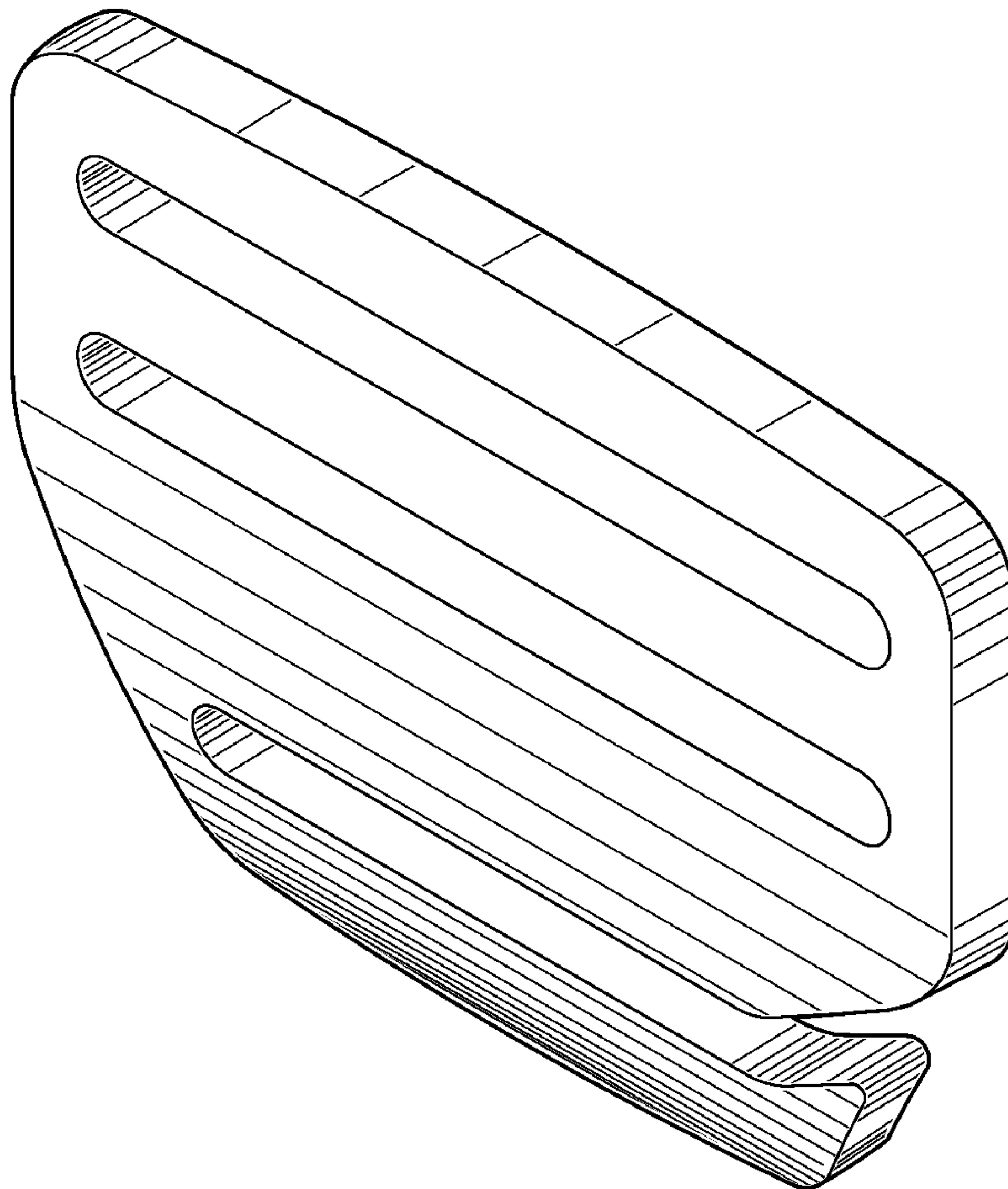
FIG. 1 is a top front right-side perspective view of the hook.  
FIG. 2 is a front plan view of the hook.  
FIG. 3 is a rear plan view of the hook.  
FIG. 4 is a right-side plan view of the hook.  
FIG. 5 is a left-side plan view of the hook.  
FIG. 6 is a top plan view of the hook; and,  
FIG. 7 is a bottom plan view of the hook.

(56) **References Cited**

U.S. PATENT DOCUMENTS

D254,644 S *	4/1980	Abramowitz .....	D6/315
D360,127 S *	7/1995	Stiner .....	D8/367

**1 Claim, 7 Drawing Sheets**



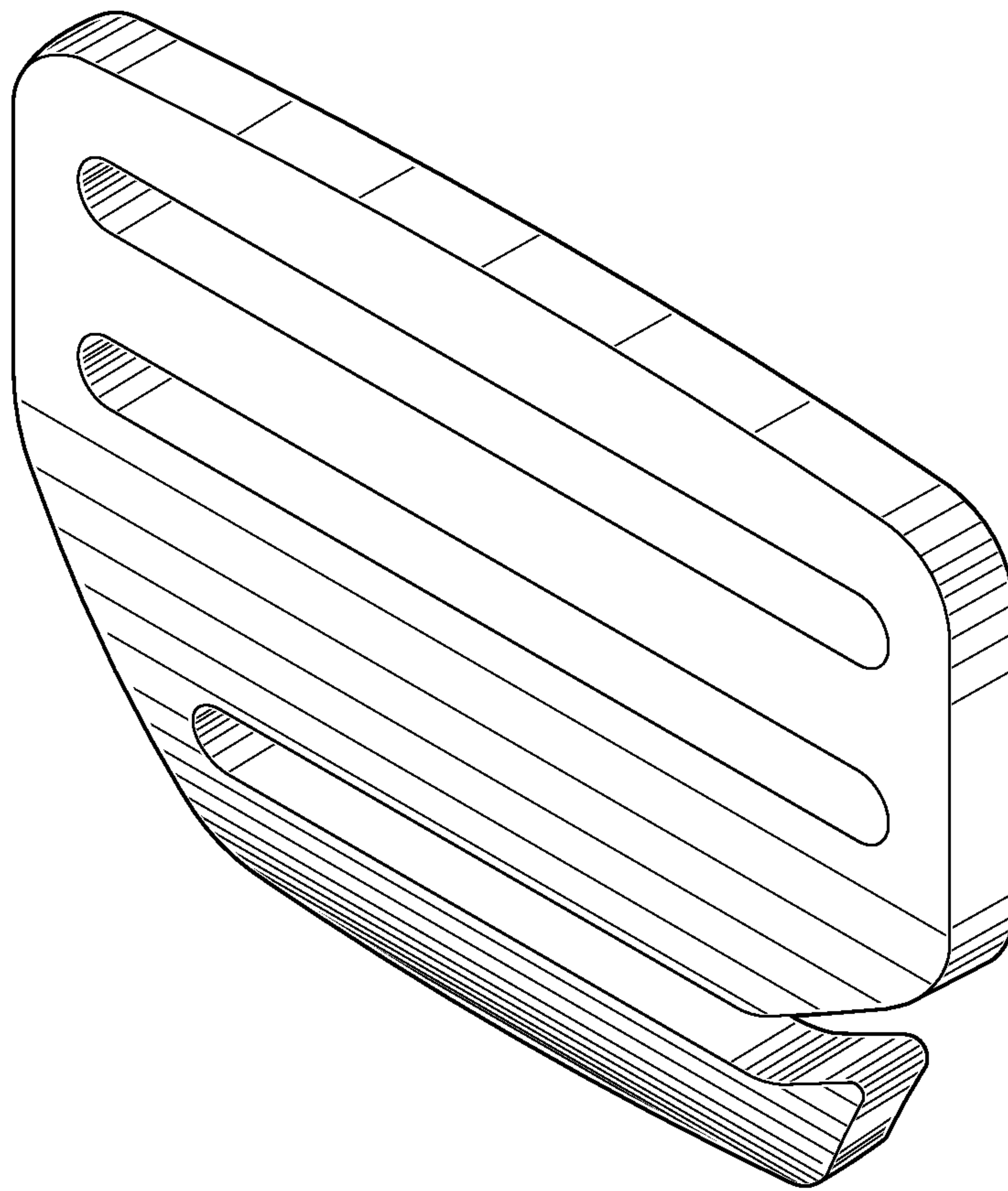


FIG. 1

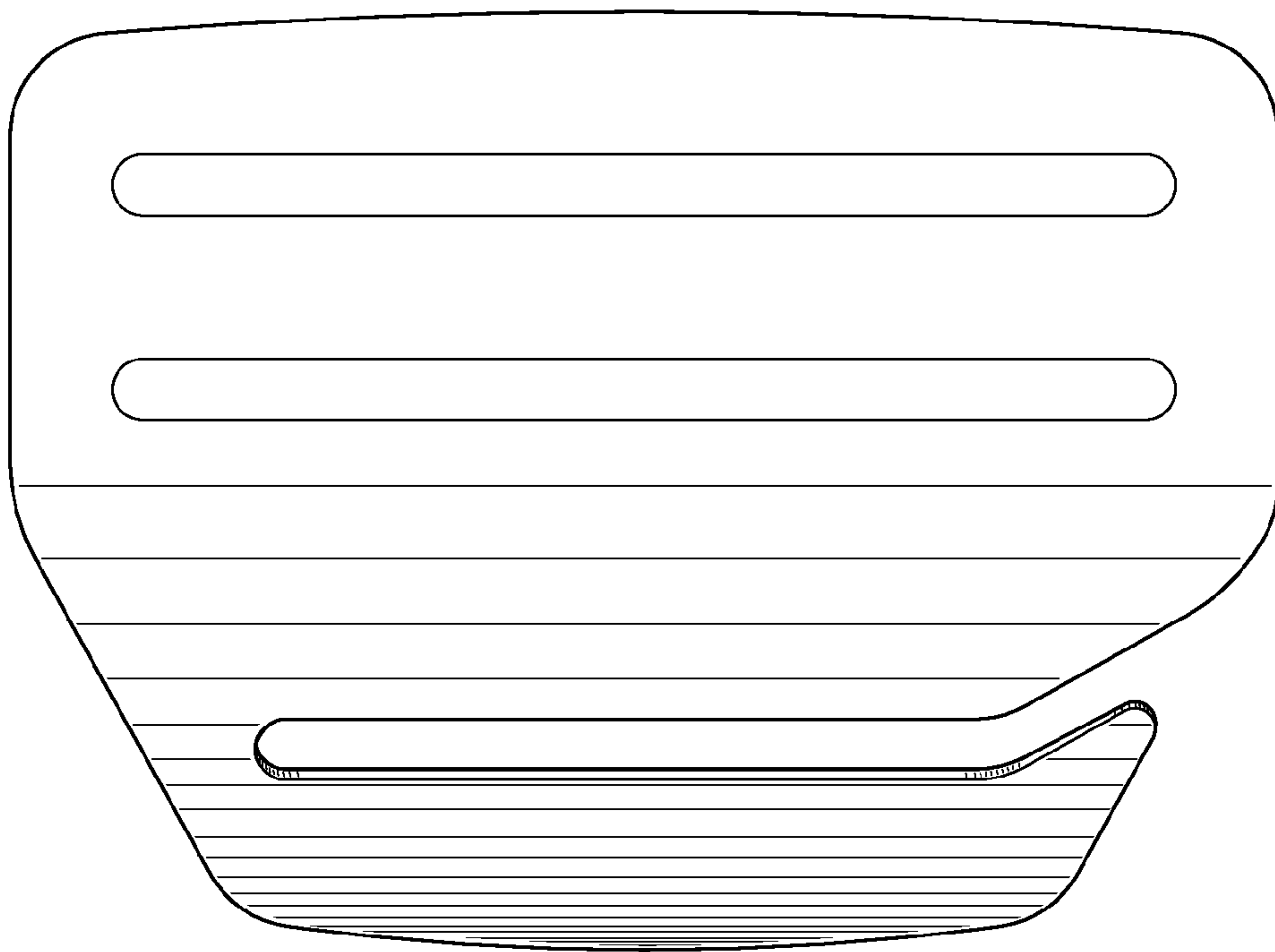


FIG. 2

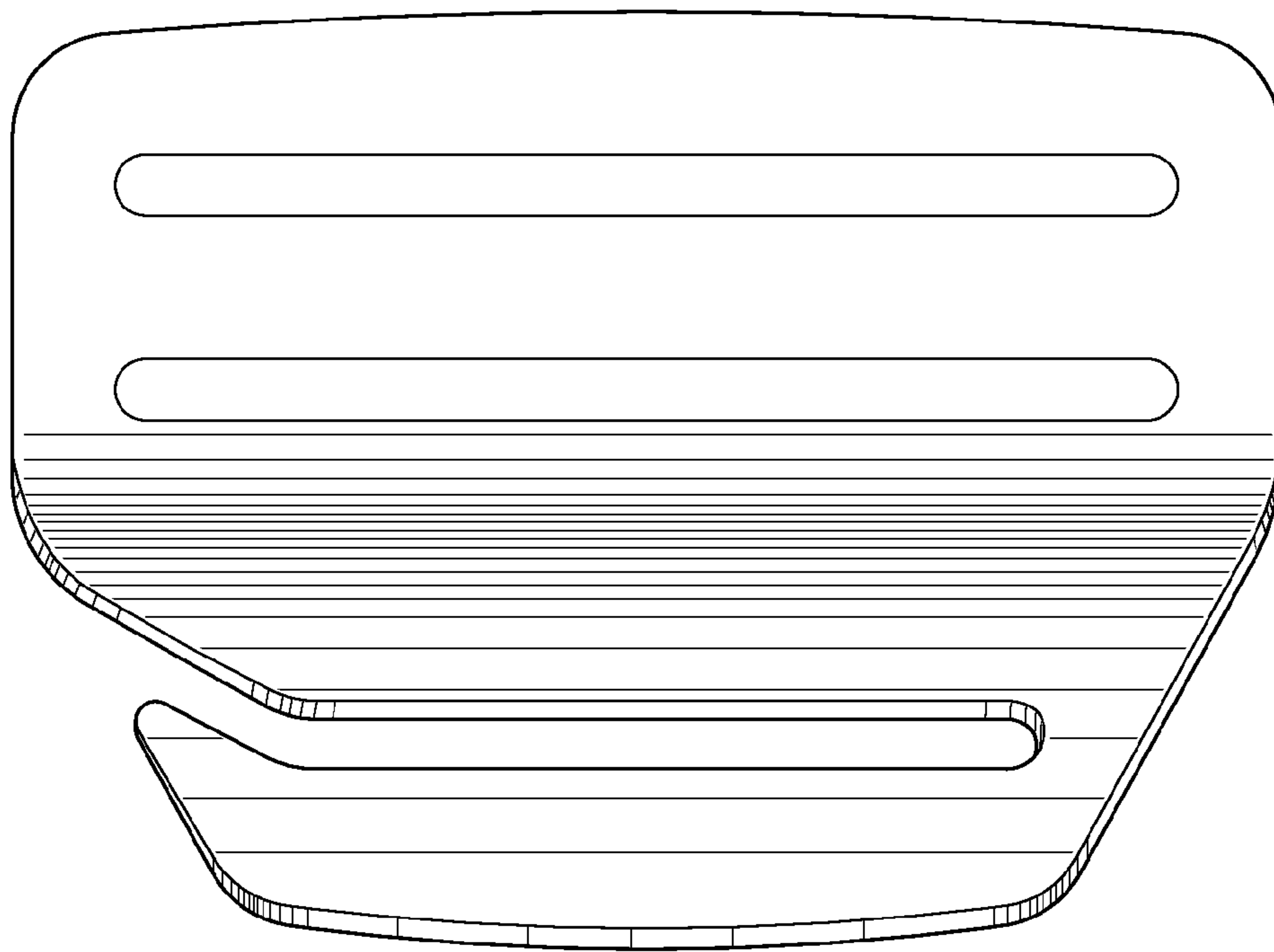


FIG. 3

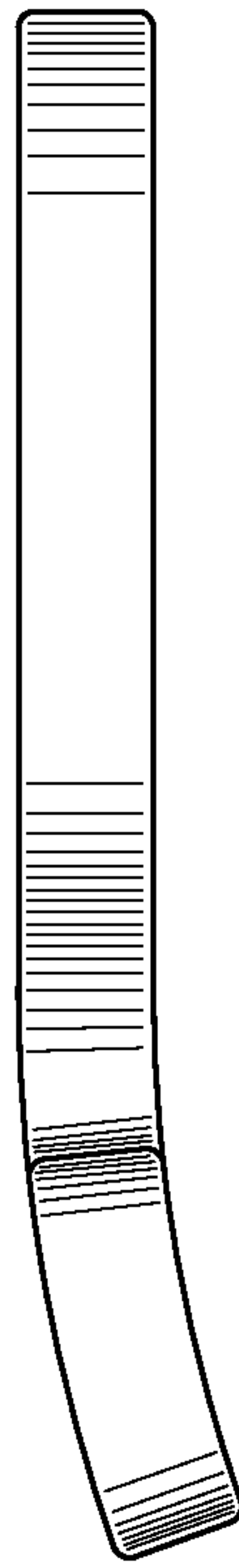


FIG. 4

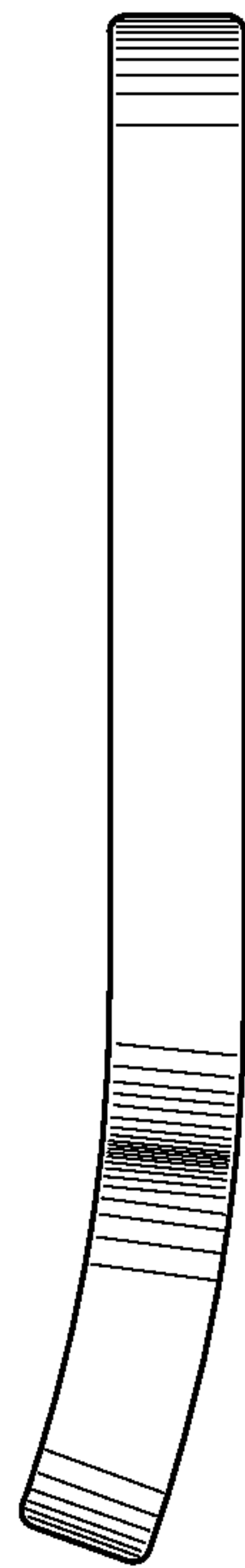


FIG. 5

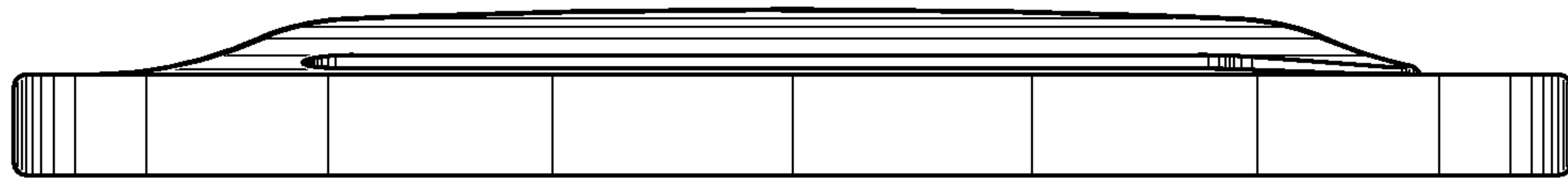


FIG. 6

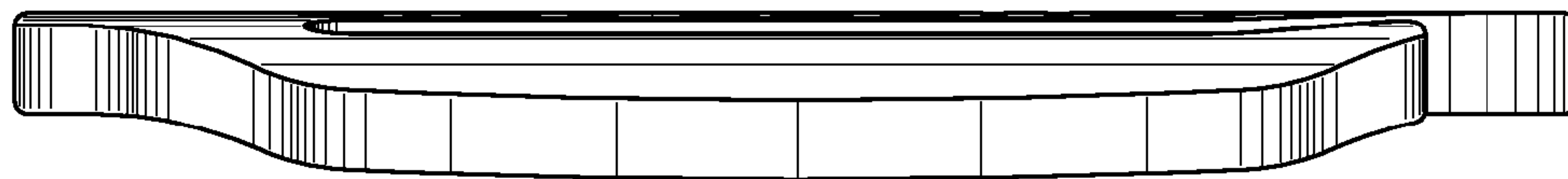


FIG. 7