



US00D701108S

(12) **United States Design Patent**
Rodgers

(10) **Patent No.:** **US D701,108 S**
(45) **Date of Patent:** **** Mar. 18, 2014**

(54) **LADDER BRACKET**

(76) Inventor: **Bruce A. Rodgers**, Harrisburg, IL (US)

(**) Term: **14 Years**

(21) Appl. No.: **29/415,229**

(22) Filed: **Mar. 8, 2012**

(51) **LOC (10) Cl.** **08-05**

(52) **U.S. Cl.**
USPC **D8/354**

(58) **Field of Classification Search**
USPC D8/349, 354, 380, 382; D25/133;
248/519, 300, 237, 309.1; 174/45 R,
174/46, 40 R, 45 TD, 40 CCC, 43, 493;
220/251, 284; 362/431; 411/402;
52/188, 182, 191, 702, 712, 745.06,
52/189, 506.5, 586.1; 29/428, 525.01,
29/464; 249/14, 205, 208; 403/167, 169
See application file for complete search history.

(56) **References Cited**

U.S. PATENT DOCUMENTS

D251,018 S *	2/1979	Lockwood	D25/68
D285,773 S *	9/1986	Cappel et al.	D8/380
D463,894 S *	10/2002	Ghafourian et al.	D34/38
D492,889 S *	7/2004	Craine	D8/354
D500,666 S *	1/2005	Murphy et al.	D8/354
D500,667 S *	1/2005	Murphy et al.	D8/354

6,860,460 B2 *	3/2005	Rellergert	249/14
D511,086 S *	11/2005	Craine	D8/354
D523,735 S *	6/2006	Craine	D8/354
D551,537 S *	9/2007	Richardson	D8/354
D558,039 S *	12/2007	Skinner	D8/382
D558,040 S *	12/2007	Skinner	D8/382
D558,041 S *	12/2007	Skinner	D8/382
D575,220 S *	8/2008	Pockalny	D12/223
D588,441 S *	3/2009	Clarke	D8/354
D595,115 S *	6/2009	Royer	D8/354
D621,692 S *	8/2010	Clarke	D8/354
D646,955 S *	10/2011	Sanders et al.	D8/354

* cited by examiner

Primary Examiner — Mark Goodwin
(74) *Attorney, Agent, or Firm* — Gary K. Price

(57) **CLAIM**
The ornamental design for a ladder bracket, as shown and described.

DESCRIPTION

FIG. 1 is a perspective view of a ladder bracket showing my new design.
FIG. 2 is a top perspective view thereof.
FIG. 3 is a bottom perspective view thereof; and,
FIG. 4 is a reduced perspective view thereof shown in use condition.
The broken lines are for illustrative purposes only and form no part of the claimed design.

1 Claim, 4 Drawing Sheets

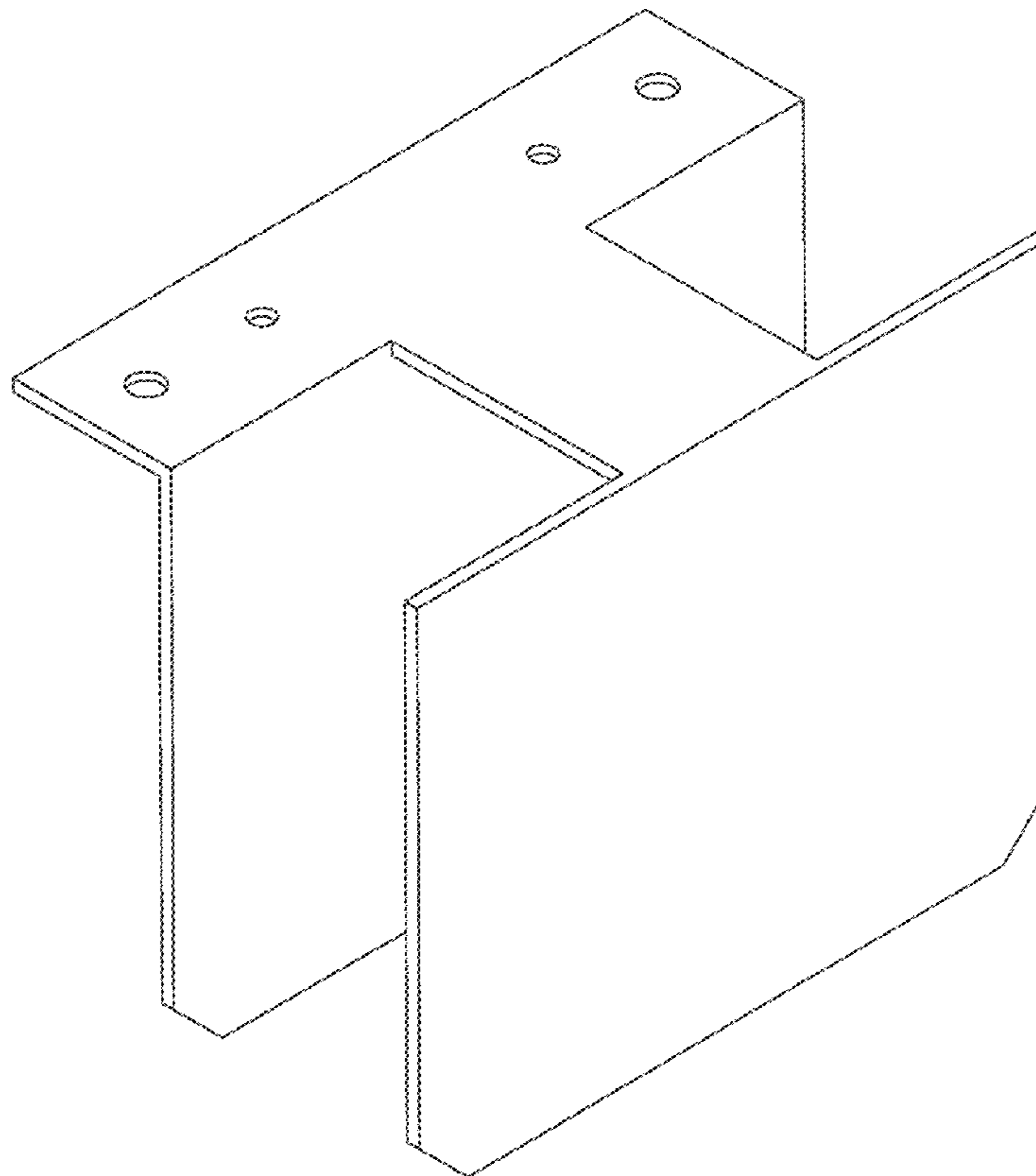


FIG. 1

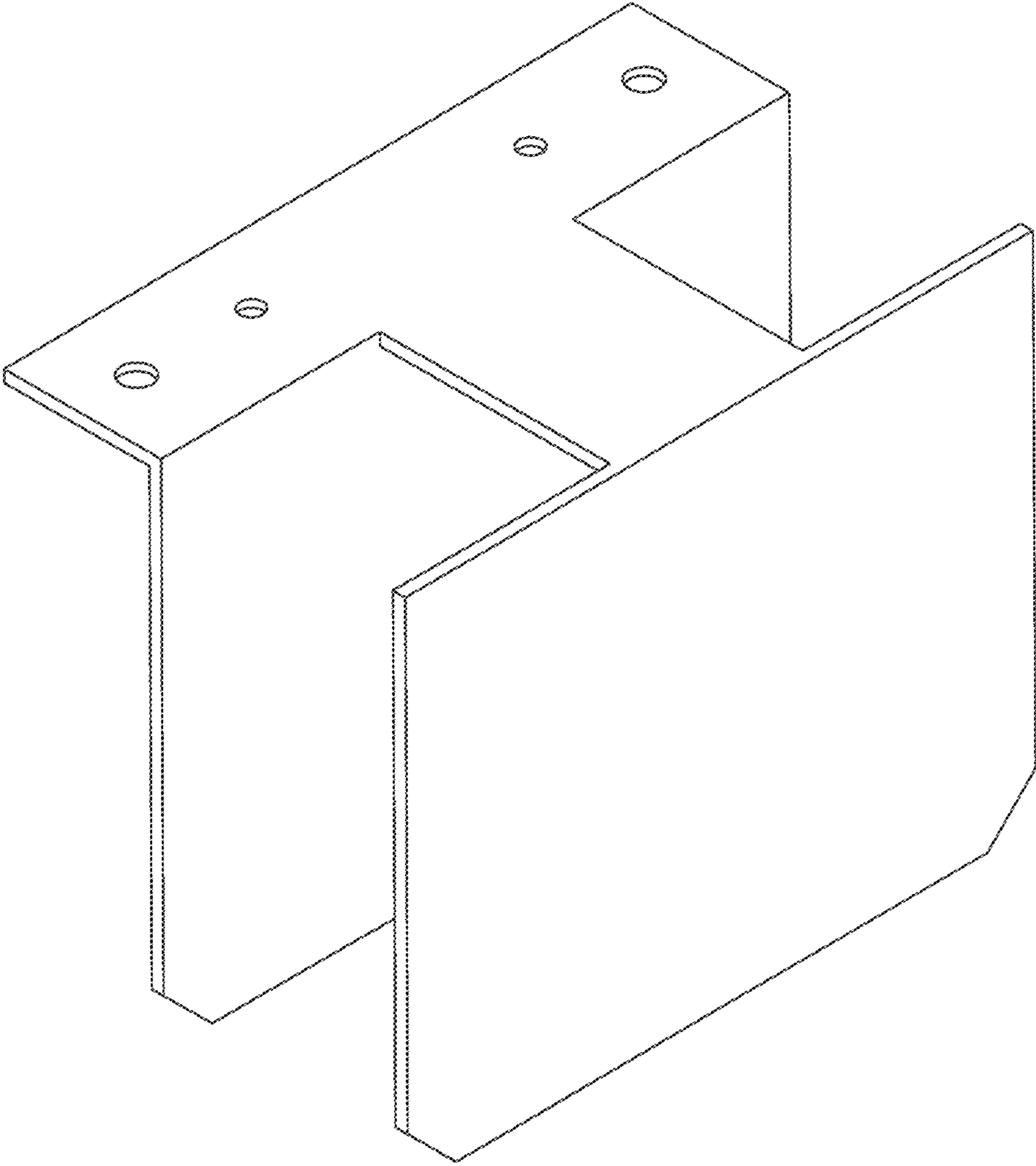


FIG. 2

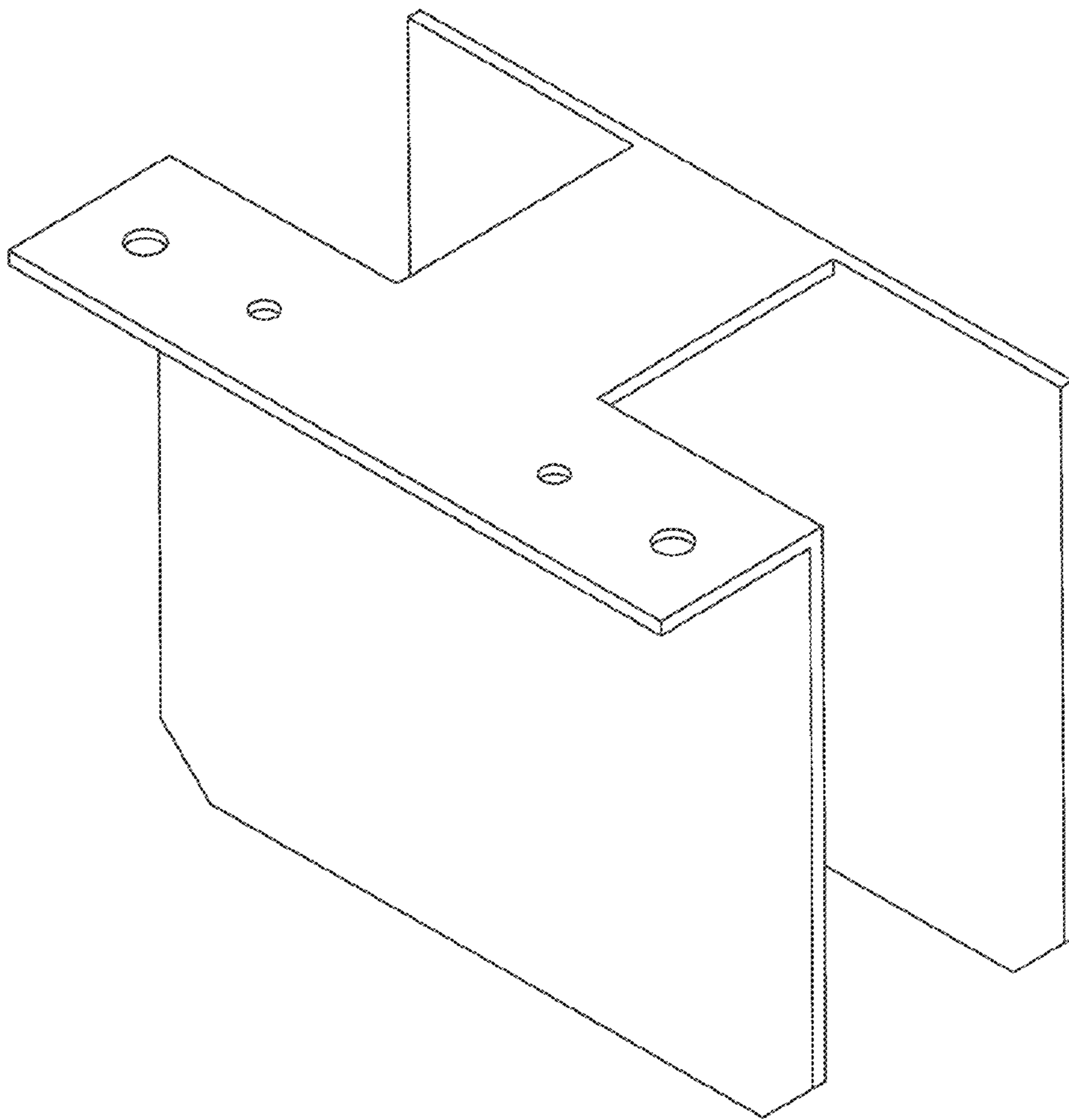


FIG. 3

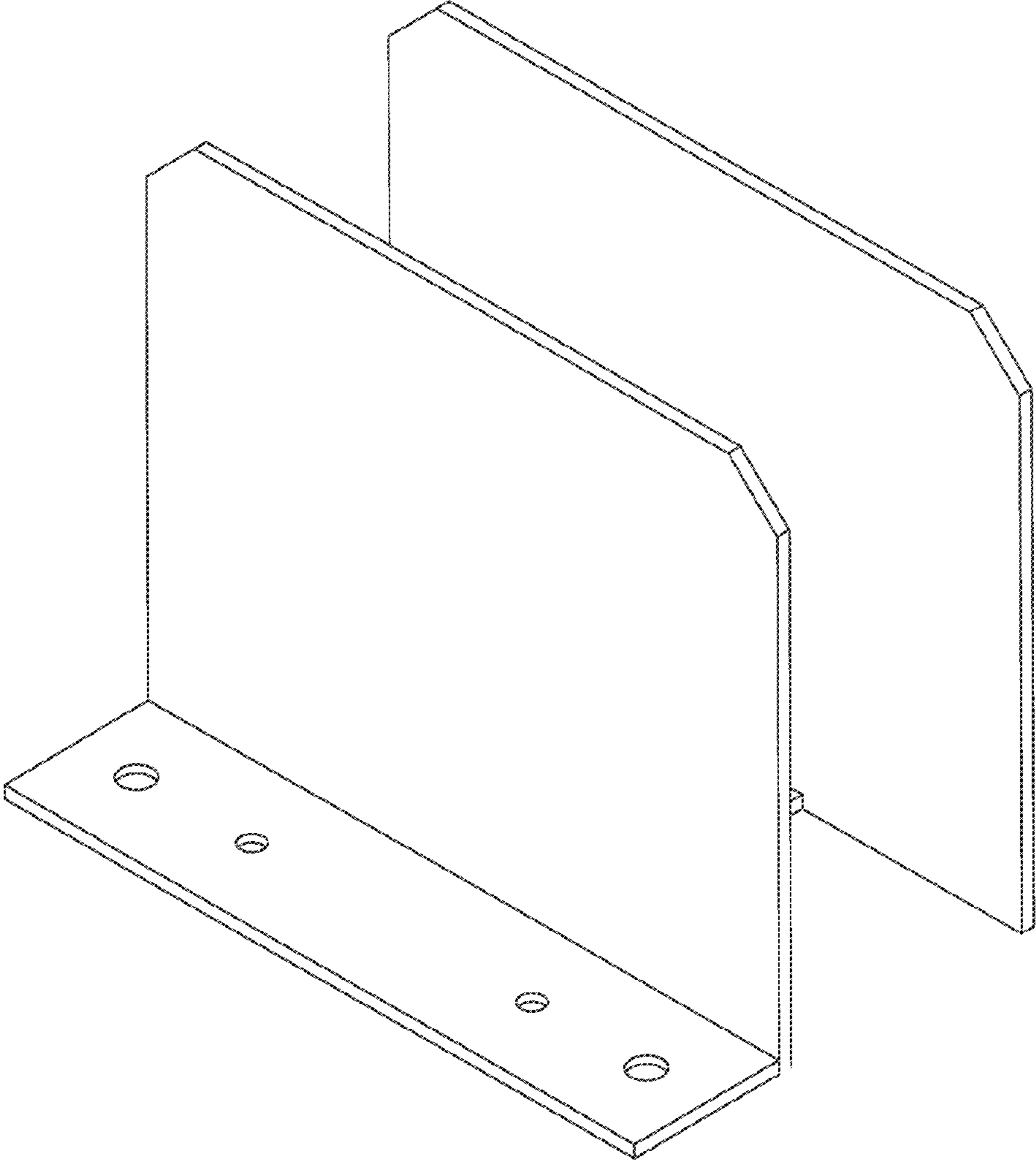


FIG. 4

