



US00D701107S

(12) **United States Design Patent**  
**White**

(10) **Patent No.:** **US D701,107 S**

(45) **Date of Patent:** **\*\* Mar. 18, 2014**

(54) **BARRIER MOUNTING BRACKET FOR ROADWAY SIGN**

(75) Inventor: **Franklin B. White**, Ft. Pierce, FL (US)

(73) Assignee: **J.E. White, LLC**, Ft. Pierce, FL (US)

(\*\*) Term: **14 Years**

(21) Appl. No.: **29/395,835**

(22) Filed: **Apr. 6, 2012**

(51) **LOC (10) Cl.** ..... **08-05**

(52) **U.S. Cl.**  
USPC ..... **D8/354**

(58) **Field of Classification Search**

USPC ..... D8/349, 354, 355, 363, 373, 394, 333,  
D8/300; D12/115; 248/161, 158, 176, 274,  
248/298, 499-500, 551, 680, 251, 309.1,  
248/309.2, 300, 201, 218.4, 200, 140;  
40/606, 612, 607.14, 607.12;  
211/17-24; 24/455

See application file for complete search history.

(56) **References Cited**

**U.S. PATENT DOCUMENTS**

|           |     |         |               |       |           |
|-----------|-----|---------|---------------|-------|-----------|
| 2,541,434 | A * | 2/1951  | Nelson et al. | ..... | 248/210   |
| 2,655,748 | A * | 10/1953 | Hirt          | ..... | 40/612    |
| D183,569  | S   | 9/1958  | Hoffman       | ..... | D10/109.1 |
| 4,249,832 | A   | 2/1981  | Schmanski     | ..... | 404/6     |
| 4,338,041 | A   | 7/1982  | Schmanski     | ..... | 404/9     |
| D296,075  | S * | 6/1988  | Jones         | ..... | D8/373    |
| 5,015,119 | A   | 5/1991  | Schmanski     | ..... | 404/12    |
| 5,208,585 | A   | 5/1993  | Sprague       | ..... | 340/908.1 |
| D337,912  | S * | 8/1993  | Silverberg    | ..... | D6/567    |
| 5,244,172 | A   | 9/1993  | Allega        | ..... | 248/161   |
| D342,011  | S   | 12/1993 | Maguire       | ..... | D8/349    |
| D370,171  | S   | 5/1996  | Emerson       | ..... | D8/354    |
| D377,751  | S * | 2/1997  | Koebbe        | ..... | D8/355    |
| 5,619,829 | A * | 4/1997  | Tan et al.    | ..... | 52/293.3  |
| D389,078  | S   | 1/1998  | Freeman       | ..... | D10/113.2 |
| D401,211  | S   | 11/1998 | Simpson       | ..... | D12/223   |

|              |     |         |                   |       |           |
|--------------|-----|---------|-------------------|-------|-----------|
| 5,878,519    | A   | 3/1999  | Huyck, Jr. et al. | ..... | 40/612    |
| D420,566     | S   | 2/2000  | Ely et al.        | ..... | D8/354    |
| D430,789     | S * | 9/2000  | Opperman          | ..... | D8/363    |
| D464,013     | S * | 10/2002 | Adams et al.      | ..... | D12/223   |
| D474,676     | S * | 5/2003  | Bainbridge        | ..... | D8/354    |
| 6,695,266    | B1  | 2/2004  | Tsai              | ..... | 248/125.8 |
| 6,962,461    | B2  | 11/2005 | Choi et al.       | ..... | 404/6     |
| D520,322     | S   | 5/2006  | Orlando           | ..... | D8/70     |
| 7,069,680    | B1  | 7/2006  | Crawford          | ..... | 40/607.14 |
| D552,947     | S   | 10/2007 | Ewasiuk           | ..... | D8/5      |
| D557,344     | S   | 12/2007 | Johnson           | ..... | D20/41    |
| D558,274     | S   | 12/2007 | Geeves            | ..... | D20/41    |
| D609,752     | S   | 2/2010  | Miller            | ..... | D20/41    |
| D611,887     | S   | 3/2010  | Peschmann         | ..... | D12/223   |
| 8,001,880    | B2  | 8/2011  | White et al.      | ..... | 89/36.04  |
| 2008/0307684 | A1  | 12/2008 | Ulloa et al.      | ..... | 40/607.1  |
| 2009/0178319 | A1  | 7/2009  | Ulloa et al.      | ..... | 40/607.1  |
| 2011/0010974 | A1  | 1/2011  | White             | ..... | 40/606.02 |
| 2012/0204454 | A1  | 8/2012  | Larsen            | ..... | 40/591    |

\* cited by examiner

*Primary Examiner* — Mark Goodwin

(74) *Attorney, Agent, or Firm* — David A. Burge

(57) **CLAIM**

I claim the ornamental design for a barrier mounting bracket for roadway sign, as shown and described.

**DESCRIPTION**

FIG. 1 is a perspective view of my invention showing mainly top, front and left end features thereof;

FIG. 2 is a front view thereof, it being understood that a rear view is a mirror image thereof;

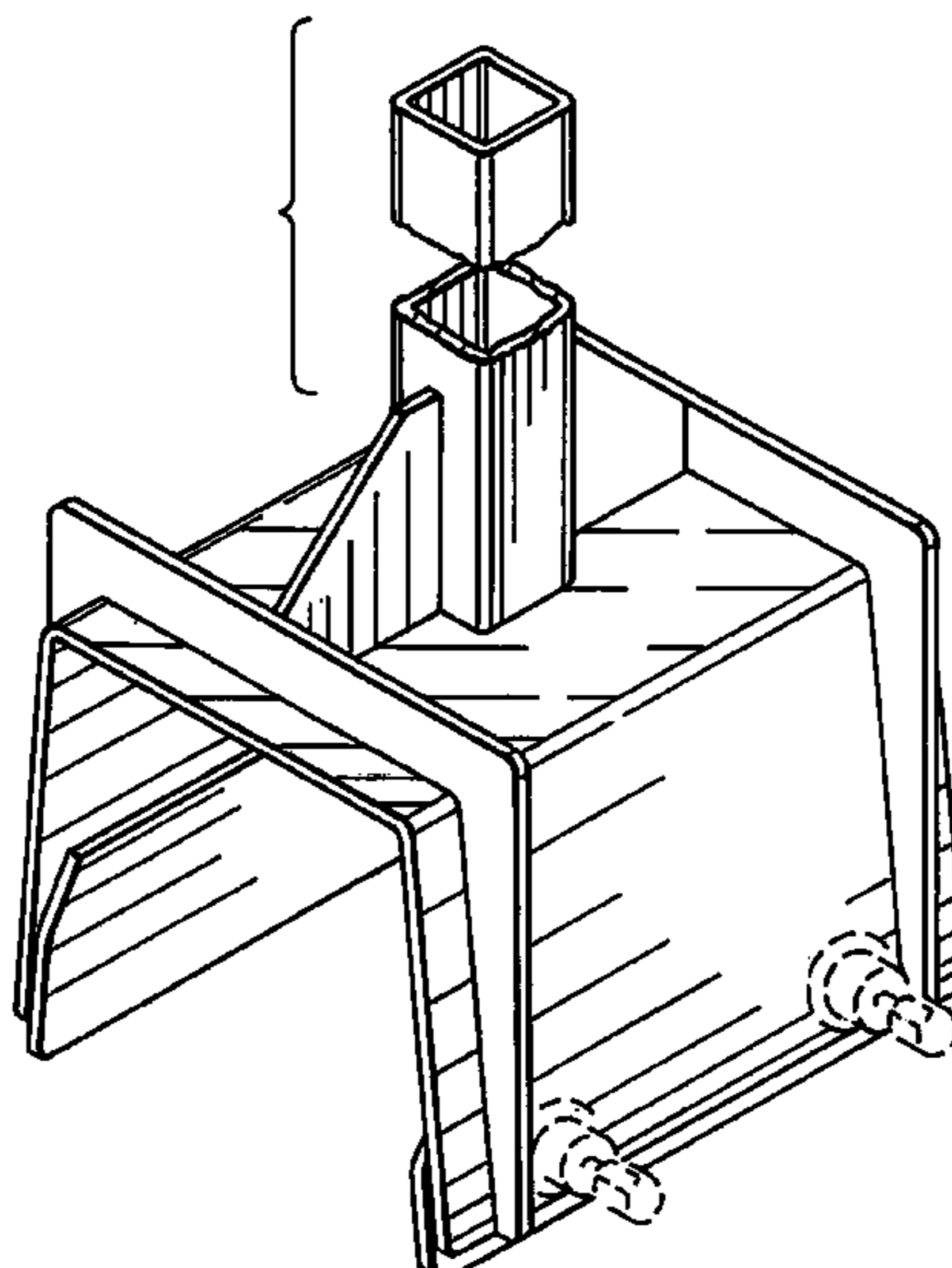
FIG. 3 is a left end view thereof, it being understood that a right end view is a mirror image thereof;

FIG. 4 is a top view thereof; and,

FIG. 5 is a bottom view thereof.

The broken lines shown in the drawings depicting components such as bracket clamping adjustment fasteners represent unclaimed subject matter and form no part of the claimed design.

**1 Claim, 3 Drawing Sheets**



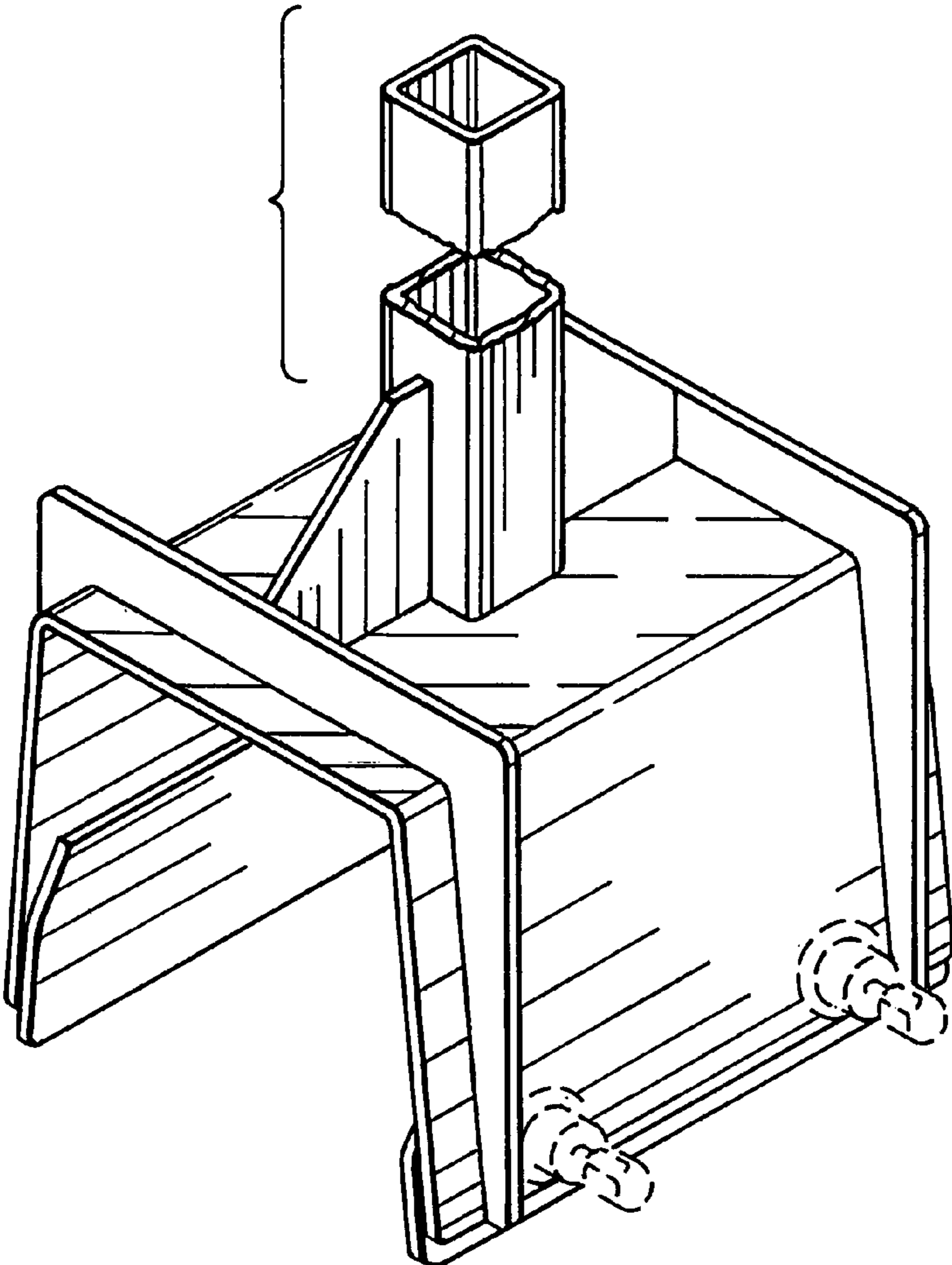


FIG. 1

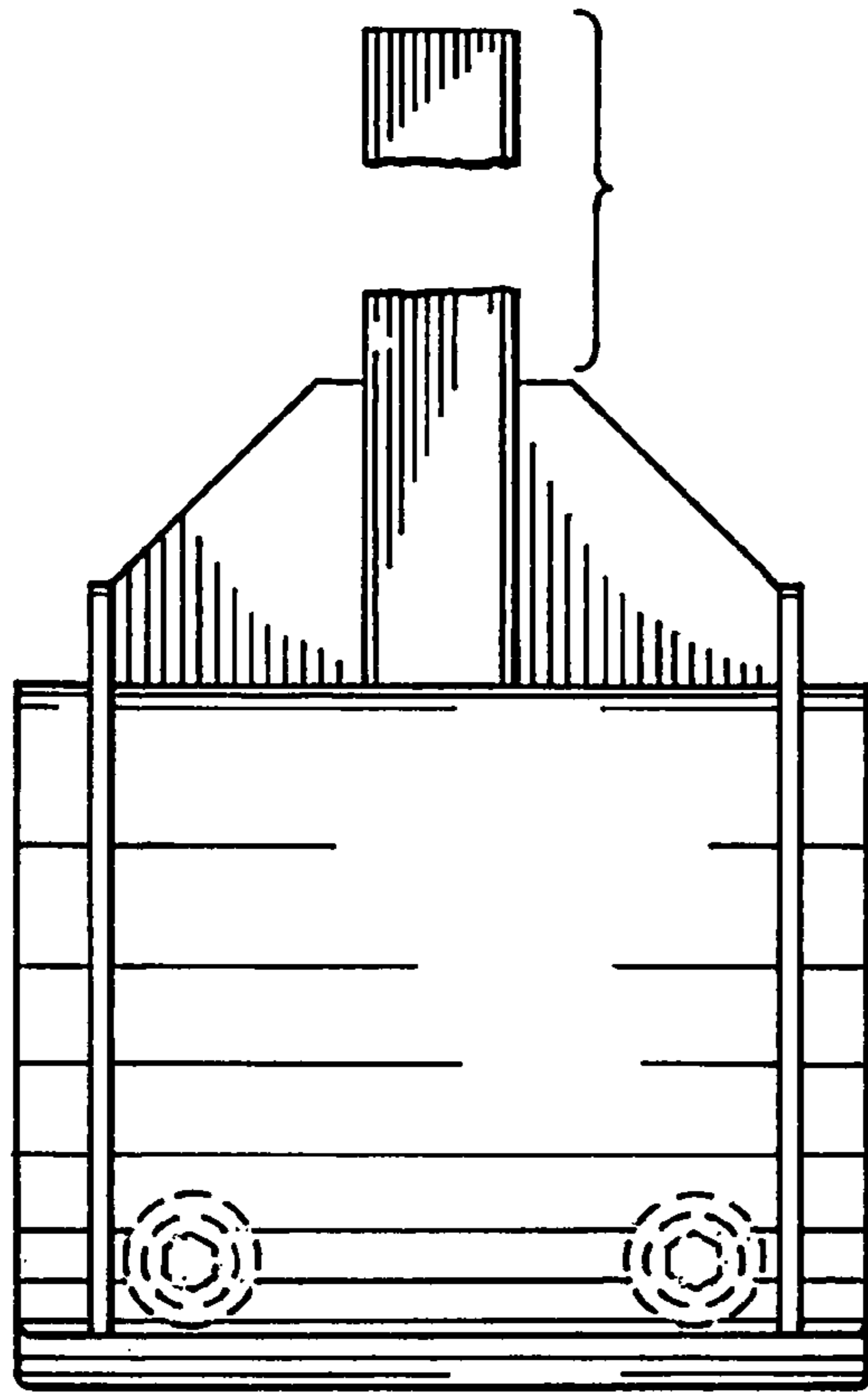


FIG. 2

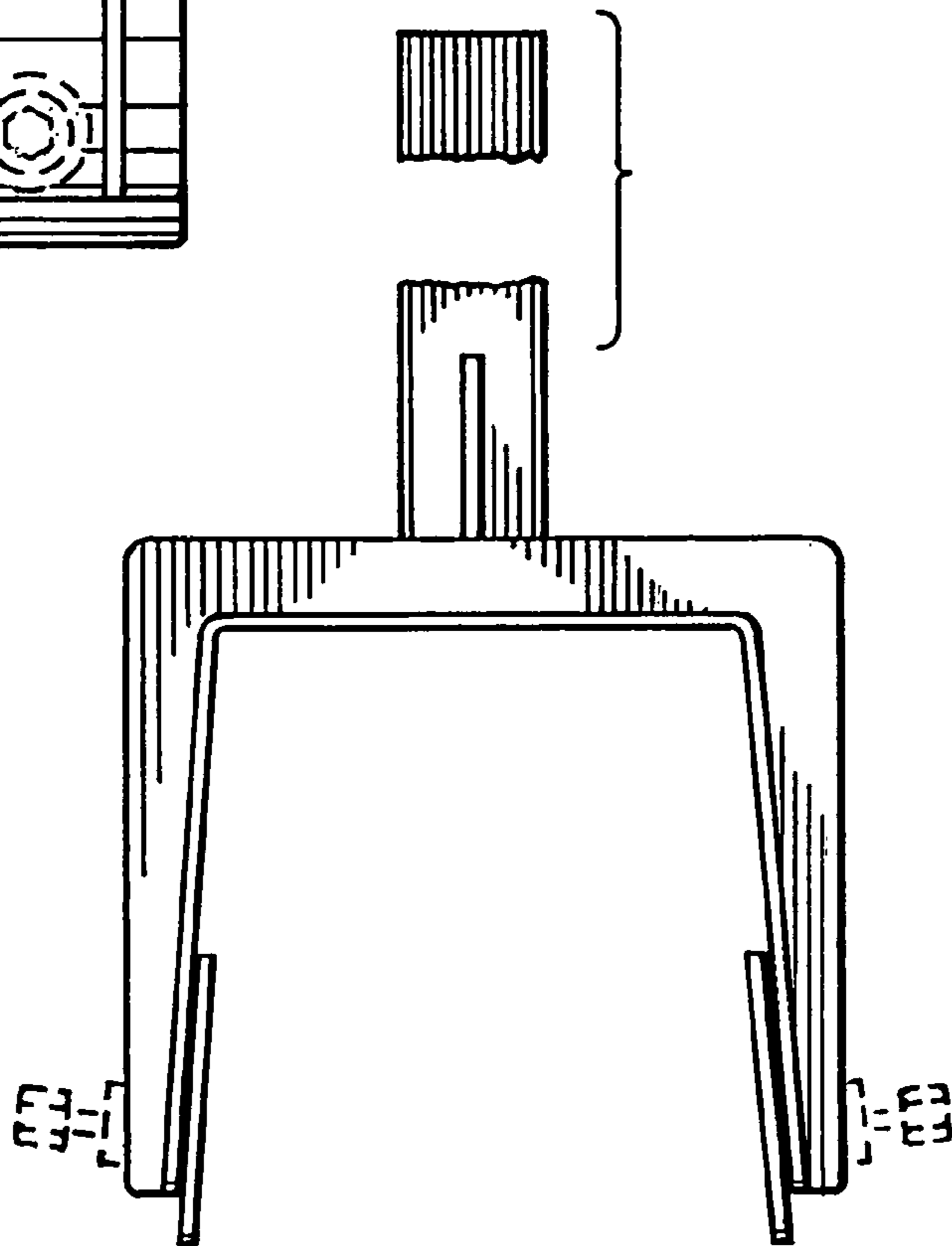


FIG. 3

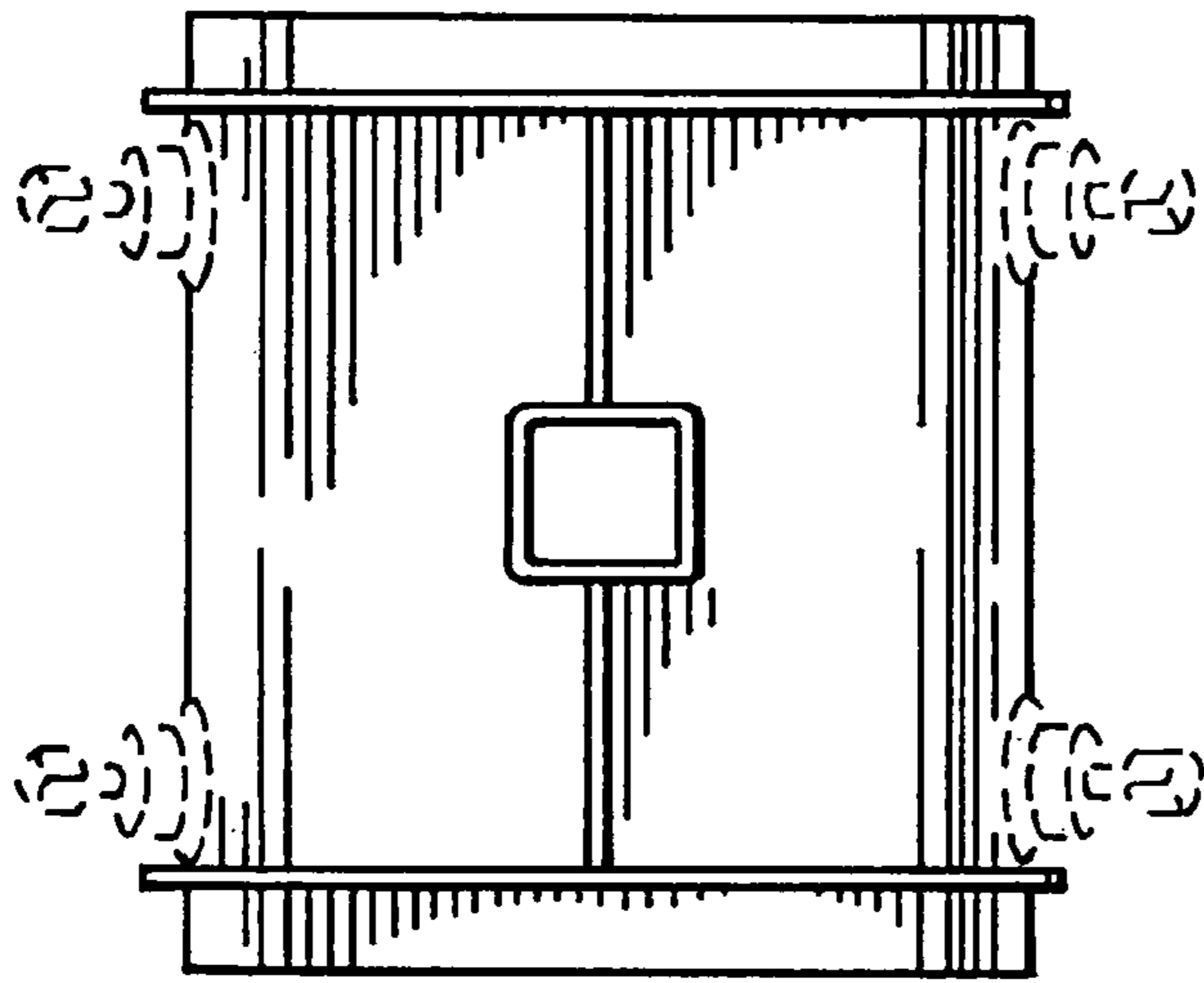


FIG. 4

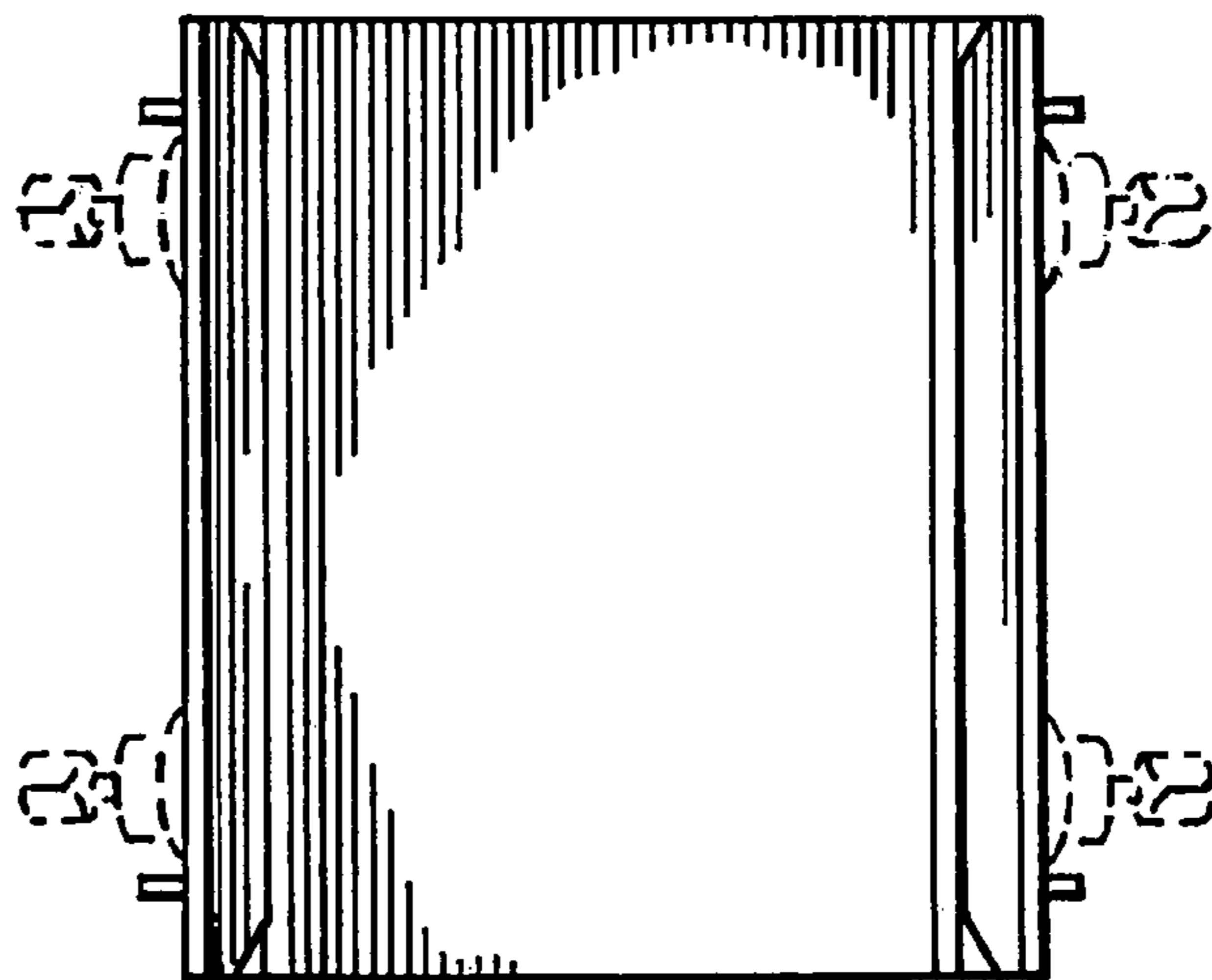


FIG. 5