



US00D701106S

(12) **United States Design Patent**
Plato

(10) **Patent No.:** **US D701,106 S**
(45) **Date of Patent:** **** Mar. 18, 2014**

- (54) **LOCK**
 - (75) Inventor: **Lea Marie Plato**, Shorewood, WI (US)
 - (73) Assignee: **Master Lock Company LLC**, Oak Creek, WI (US)
 - (**) Term: **14 Years**
 - (21) Appl. No.: **29/430,634**
 - (22) Filed: **Aug. 28, 2012**
 - (51) **LOC (10) Cl.** **08-07**
 - (52) **U.S. Cl.**
USPC **D8/343; D8/333; D8/334**
 - (58) **Field of Classification Search**
USPC D8/330, 331, 333, 343, 339, 336, 349, D8/334, 354; 70/14-16, 18, 57, 25, 158, 70/163-168, 233, 38 A, 38 C, 23, 20, 30, 70/51, 57.1, 202, 203, 431, 448, 465, 466; 292/288, 290, 340
- See application file for complete search history.

- 4,918,949 A 4/1990 Newbold
- 5,101,646 A 4/1992 Goldman et al.
- 5,142,888 A 9/1992 Ling
- 5,194,845 A 3/1993 Sirmon et al.
- 5,195,340 A 3/1993 Huang
- 5,199,282 A 4/1993 Wang
- 5,253,496 A 10/1993 Wang
- 5,331,830 A 7/1994 Su
- D352,223 S 11/1994 Shieh

(Continued)

OTHER PUBLICATIONS

Master Lock, Solid Body Padlocks—No. M532XKADLH, Master Lock web site, 2013.

(Continued)

Primary Examiner — Prabhakar Deshmukh
(74) *Attorney, Agent, or Firm* — Calfee, Halter & Griswold LLP

(57) **CLAIM**
I claim the ornamental design for a lock, as shown and described.

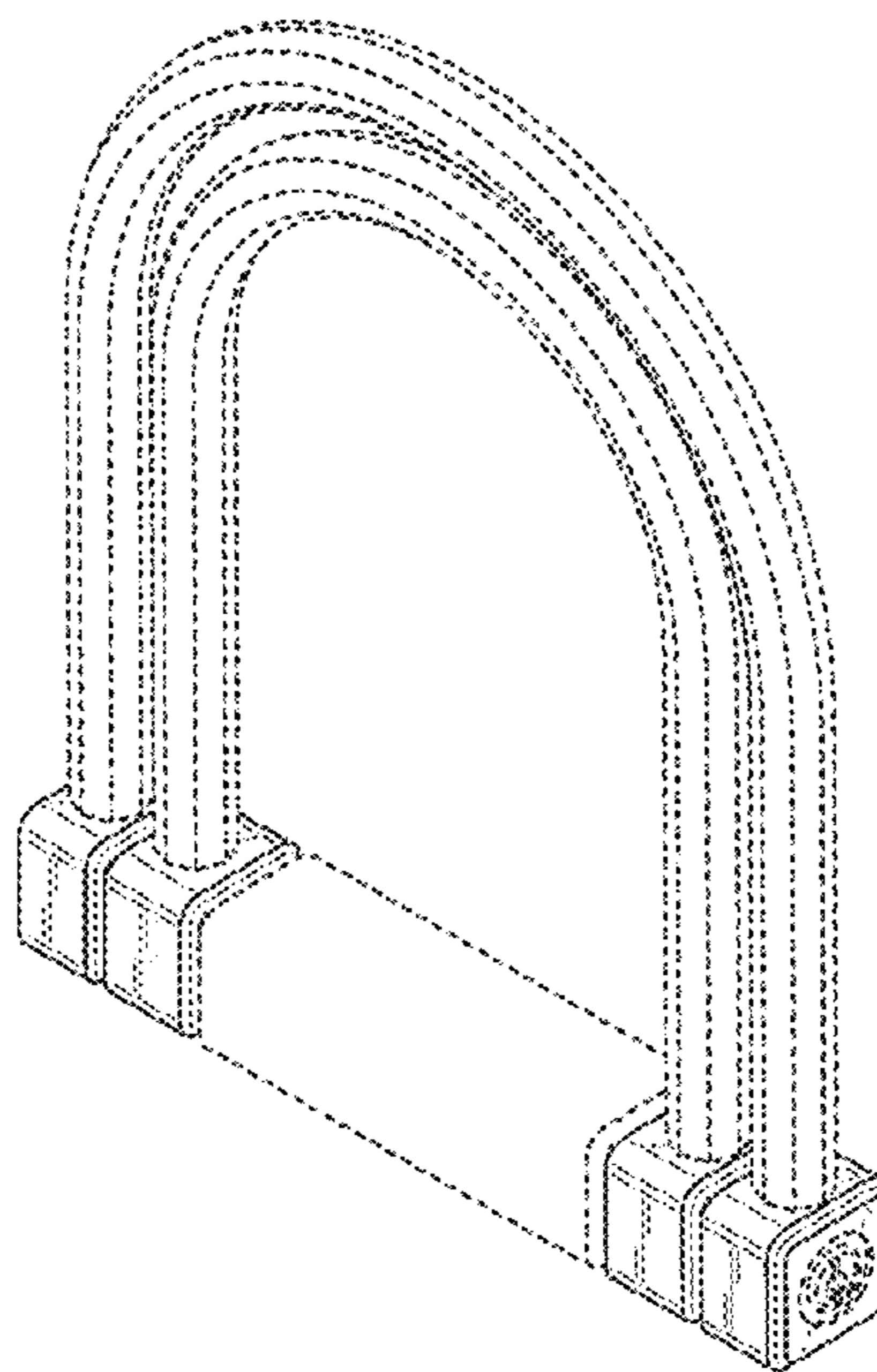
(56) **References Cited**
U.S. PATENT DOCUMENTS

526,740 A	10/1894	Rapaport	
D32,638 S	5/1900	Voight	
661,560 A	11/1900	Stall	
666,231 A	1/1901	Lawson	
767,004 A	8/1904	Muchowicz	
1,016,455 A	2/1912	Stone	
1,629,388 A	5/1927	Jackson	
1,667,254 A	4/1928	Hedrich	
1,688,208 A	10/1928	Del Rosso	
1,777,424 A	10/1930	Atkins	
D238,548 S *	1/1976	Seakan	D8/333
4,085,600 A	4/1978	Bindari	
D295,719 S	5/1988	DeLuca et al.	

DESCRIPTION

FIG. 1 is a front perspective view of a lock of the new design; FIG. 2 is a front elevational view of the lock of FIG. 1; FIG. 3 is a rear elevational view of the lock of FIG. 1; FIG. 4 is a right side elevational view of the lock of FIG. 1; FIG. 5 is a left side elevational view of the lock of FIG. 1; FIG. 6 is a top plan view of the lock of FIG. 1; and, FIG. 7 is a bottom plan view of the lock of FIG. 1. The portions of the Figures shown in broken lines are for illustrative purpose only and form no part of the claimed design.

1 Claim, 5 Drawing Sheets



(56)

References Cited

U.S. PATENT DOCUMENTS

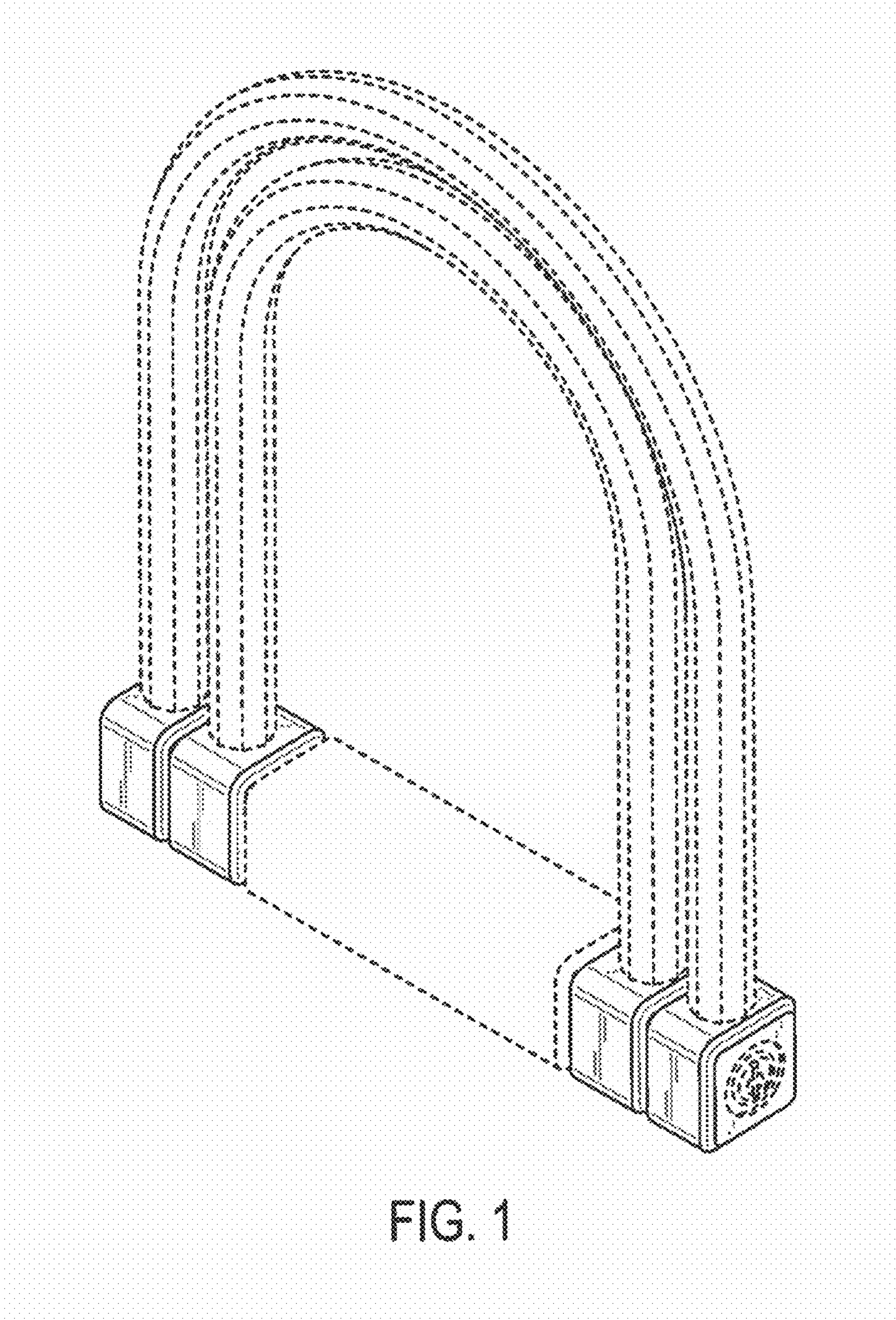
5,372,019 A 12/1994 Hsiao
 5,398,529 A 3/1995 Goldman et al.
 5,400,624 A 3/1995 Shieh
 5,406,812 A 4/1995 Jaw
 5,417,092 A 5/1995 Iu
 5,488,845 A 2/1996 Hsieh
 D367,601 S * 3/1996 Brendel D8/333
 5,505,064 A 4/1996 Wang
 5,640,861 A * 6/1997 Chen 70/38 A
 5,678,431 A * 10/1997 Yan 70/39
 5,823,021 A 10/1998 Chang
 6,026,663 A 2/2000 Tsung-Chuan et al.
 D430,787 S * 9/2000 Liu D8/333
 D449,971 S * 11/2001 Schell D8/333
 6,341,509 B1 1/2002 McDaid
 D454,293 S * 3/2002 Bremicker D8/334
 6,397,648 B1 6/2002 Morris et al.
 6,430,975 B1 8/2002 McDaid
 6,619,084 B2 9/2003 Kuo
 D484,777 S 1/2004 Ruan
 D488,368 S * 4/2004 Vito D8/343
 D488,701 S * 4/2004 Vito D8/343
 7,013,686 B1 * 3/2006 Chen 70/43
 D520,339 S 5/2006 Heppner
 D529,786 S 10/2006 Heppner
 D533,435 S 12/2006 Kearns et al.
 D533,764 S 12/2006 Heppner

D541,631 S 5/2007 Heppner
 D548,045 S 8/2007 Heppner
 D549,554 S 8/2007 Heppner
 D556,541 S 12/2007 Blomstrom et al.
 D563,200 S 3/2008 Nave et al.
 D564,339 S * 3/2008 McDaid D8/343
 D572,113 S 7/2008 Saucedo
 D576,859 S 9/2008 Blomstrom et al.
 D576,860 S 9/2008 Blomstrom et al.
 D576,861 S 9/2008 Blomstrom et al.
 D576,862 S 9/2008 Blomstrom et al.
 D576,863 S 9/2008 Blomstrom et al.
 D576,864 S 9/2008 Blomstrom et al.
 D606,841 S 12/2009 Stevens
 7,823,424 B2 * 11/2010 Shabtay et al. 70/38 A

OTHER PUBLICATIONS

Master Lock, No. 8118 U-Lock Product Description, Master Lock web site, 2003.
 Master Lock 8174DLWPF U-Lock Product Description, Tessco web site, <https://www.tessco.com/products/displayProductInfo.do?sku=337312&eventPage=1>, 2011. 2 pages.
 Master Lock U Bar Bike Lock 8170D Product Description, <http://www.thetoolworkshop.com/masterlock8x4ubarbikelock8170d.aspx>, 2 pages.
 Crestock, Image 4527912:double padlock with chain; web site print-out; <http://www.crestock.com/image/4527912-double-padlock-witch-chain.aspx>, 1 page, 2010-2012.

* cited by examiner



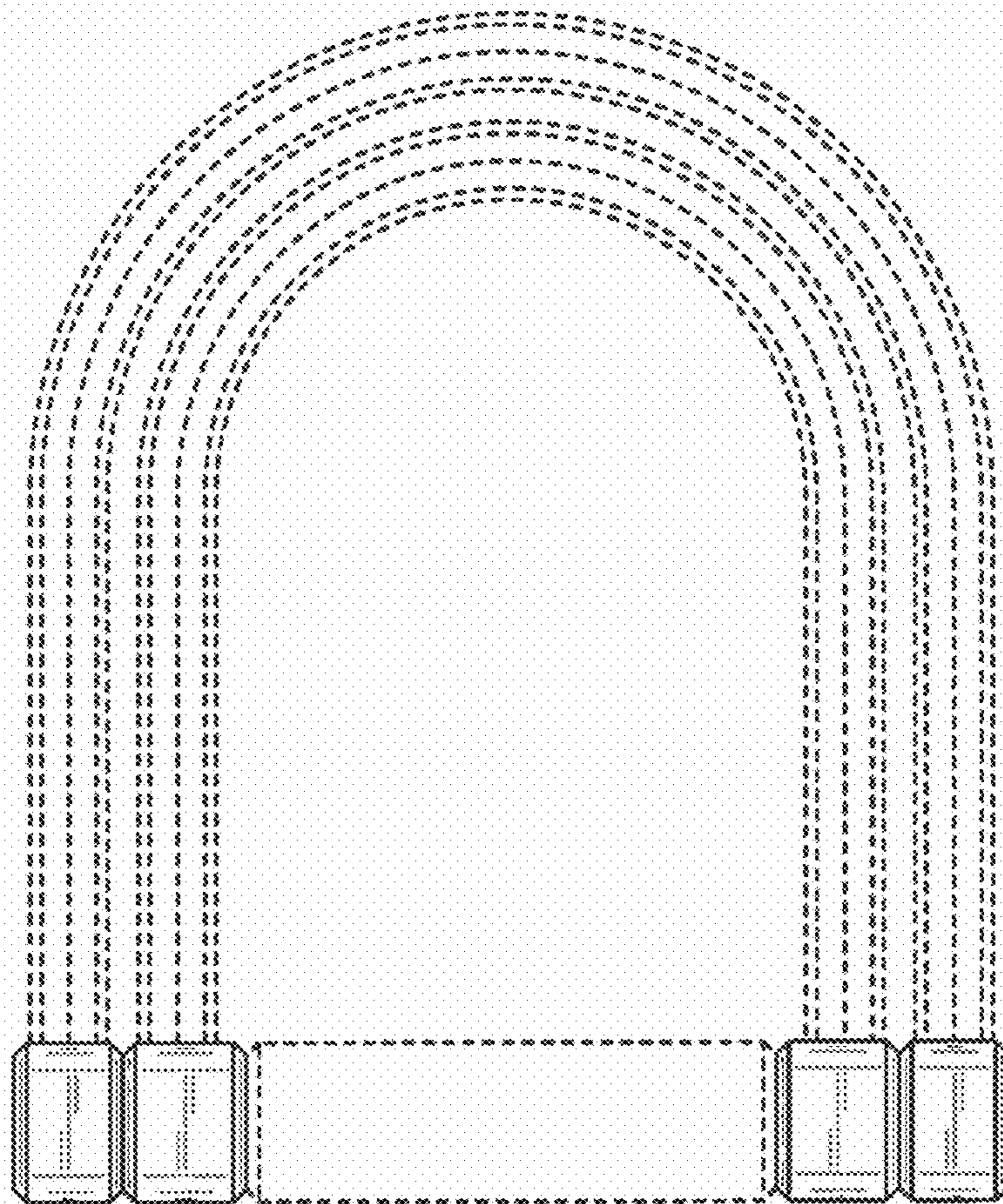
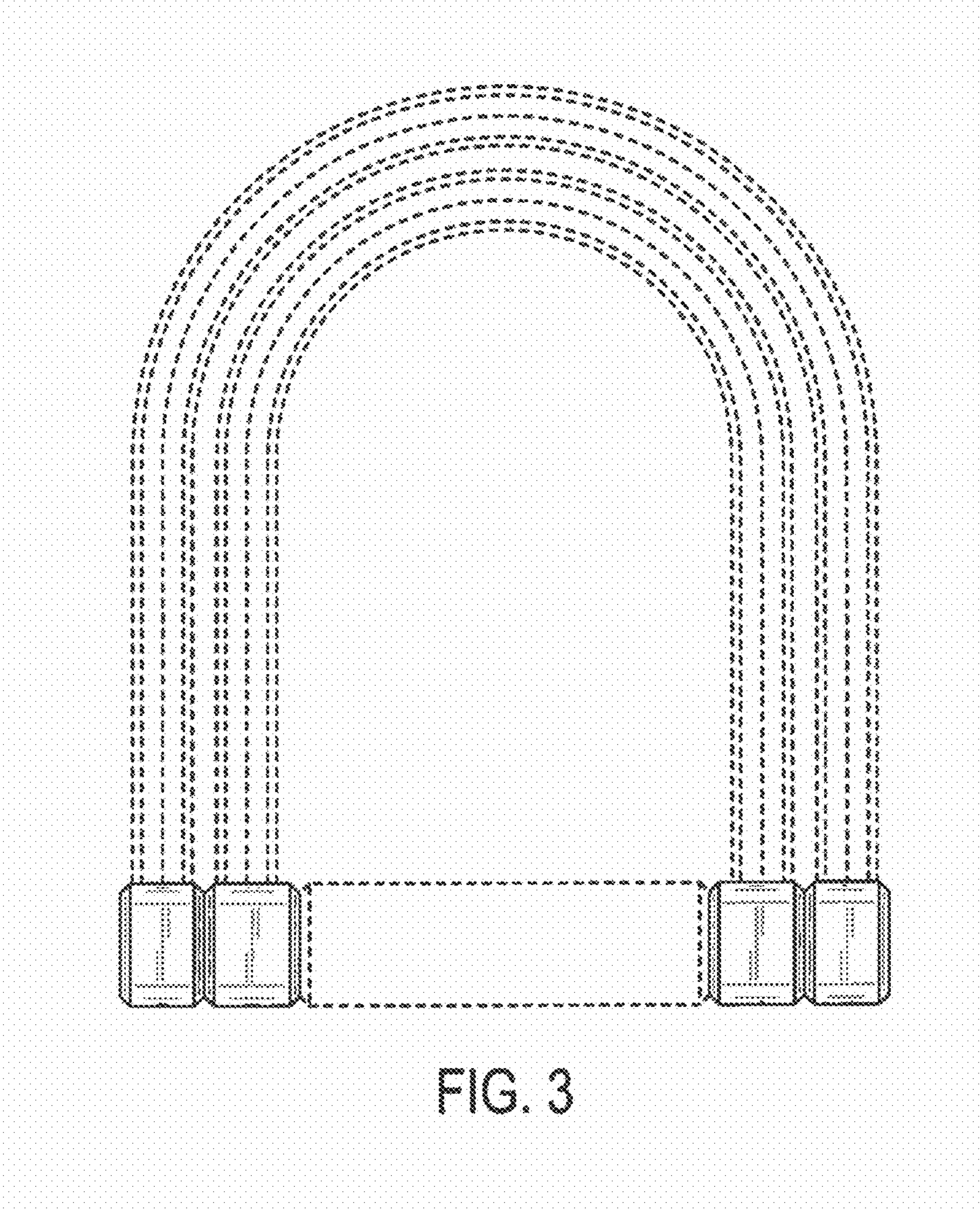


FIG. 2



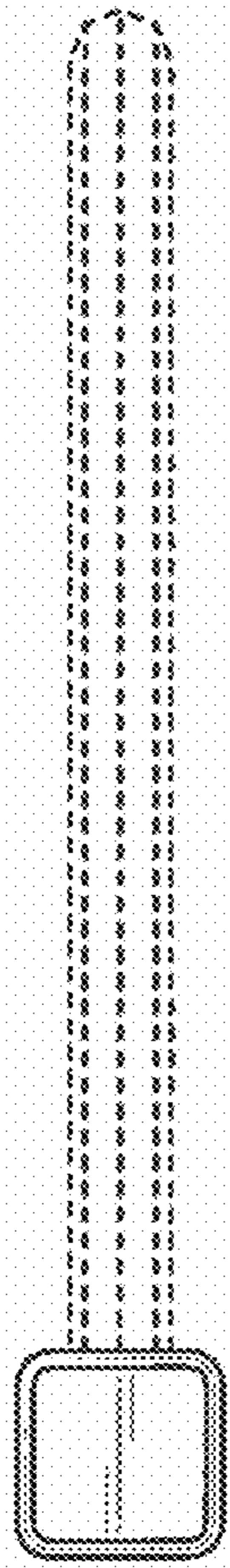


FIG. 4

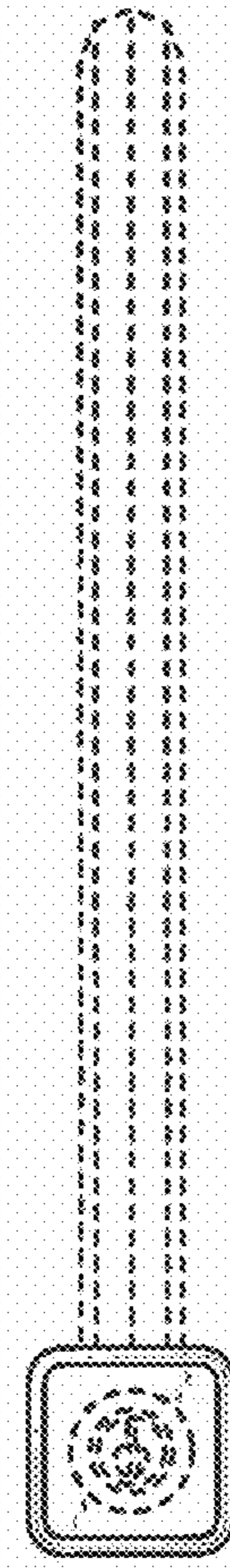


FIG. 5

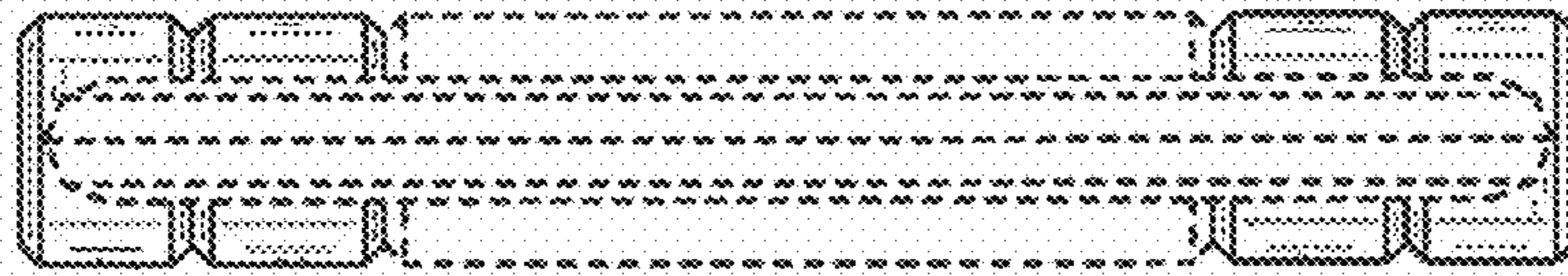


FIG. 6

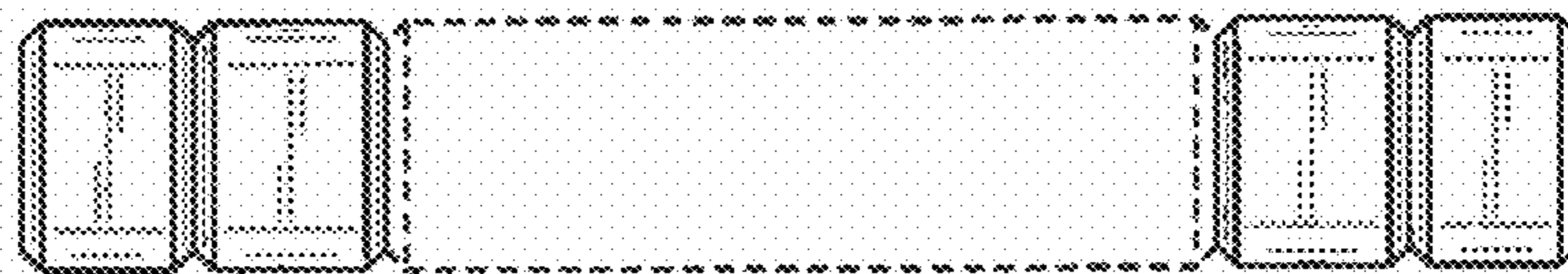


FIG. 7