



US00D701104S

(12) **United States Design Patent**
Weldon

(10) **Patent No.:** **US D701,104 S**
(45) **Date of Patent:** **** Mar. 18, 2014**

- (54) **MAGNETIC GATE LATCH**
- (71) Applicant: **Weldon Industries, Inc.**, Tampa, FL (US)
- (72) Inventor: **Mark Weldon**, Tampa, FL (US)
- (73) Assignee: **Weldon Industries Inc.**, Tampa, FL (US)
- (**) Term: **14 Years**
- (21) Appl. No.: **29/444,811**
- (22) Filed: **Feb. 4, 2013**
- (51) **LOC (10) Cl.** **08-07**
- (52) **U.S. Cl.**
USPC **D8/331**
- (58) **Field of Classification Search**
USPC D8/330, 331, 336, 339, 343, 349, 302, D8/354, 499; 70/14, 19, 51, 57, 57.1, 102, 70/107, 141, 142, 262, 266, 321, 320, 322, 70/431, 465, DIG. 80; 292/32, 63, 92, 137, 292/289, 290, 292, 358, 359, DIG. 29, 292/DIG. 68, 67, 202, 235, 153, 238; 16/86.1, 86.2

7,367,161	B1 *	5/2008	Jones	49/334
7,390,035	B2	6/2008	Karcz et al.		
7,942,458	B2 *	5/2011	Patterson	292/251.5
8,256,806	B2 *	9/2012	Timothy	292/251.5
8,376,421	B2 *	2/2013	Simmonds	292/251.5
D684,841	S *	6/2013	Brown	D8/331
D690,578	S *	10/2013	Smith	D8/331

FOREIGN PATENT DOCUMENTS

JP	3039580	B2	5/2000
JP	3191187	B2	7/2001
JP	3212589	B1	9/2001
JP	2005340149	A	12/2005
JP	2007233666	A	9/2007
JP	2008210001	A	9/2008
WO	03/067004	A1	8/2003

* cited by examiner

Primary Examiner — Prabhakar Deshmukh

(74) *Attorney, Agent, or Firm* — Christopher Paradies; Paradies Law P.A.

(57) **CLAIM**

The ornamental design for a magnetic gate latch, as shown and described.

DESCRIPTION

FIG. 1 is a front perspective view thereof;
FIG. 2 is a front view thereof;
FIG. 3 is a rear view thereof;
FIG. 4 is a top view thereof;
FIG. 5 is a sectional view taken along line 5-5 of FIG. 2;
FIG. 6 is a left side view thereof; and,
FIG. 7 is a right-side view thereof.

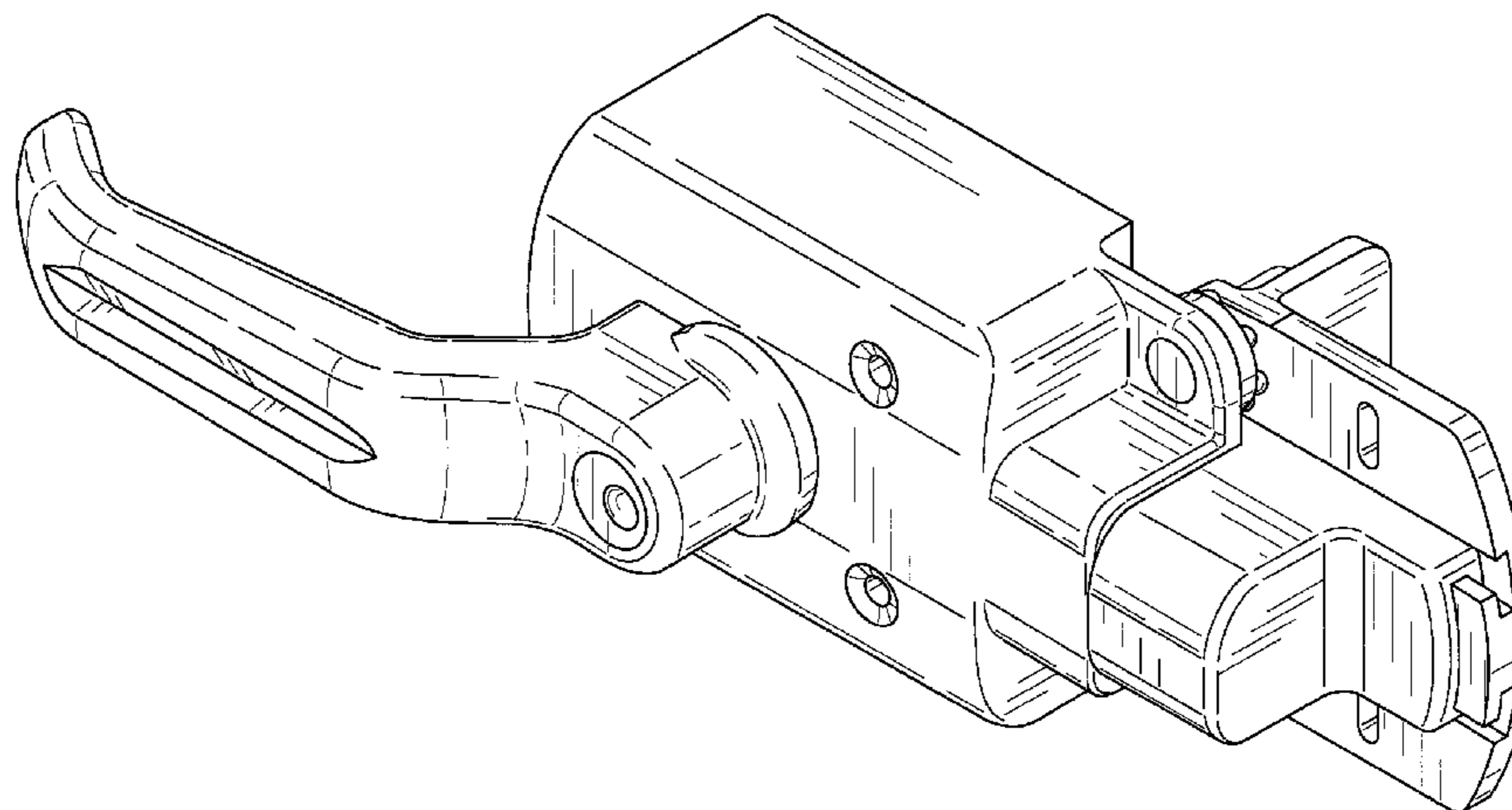
1 Claim, 5 Drawing Sheets

(56) **References Cited**

U.S. PATENT DOCUMENTS

3,790,197	A *	2/1974	Parker	292/251.5
4,641,867	A *	2/1987	Geringer et al.	292/336.3
4,702,506	A *	10/1987	Imura	292/251.5
4,703,962	A *	11/1987	Kelly et al.	292/251.5
5,114,195	A *	5/1992	Martin et al.	292/251.5
5,362,116	A *	11/1994	Doyle et al.	292/144
D502,858	S *	3/2005	Sato	D8/308
7,044,511	B2	5/2006	Kliefoth et al.		

See application file for complete search history.



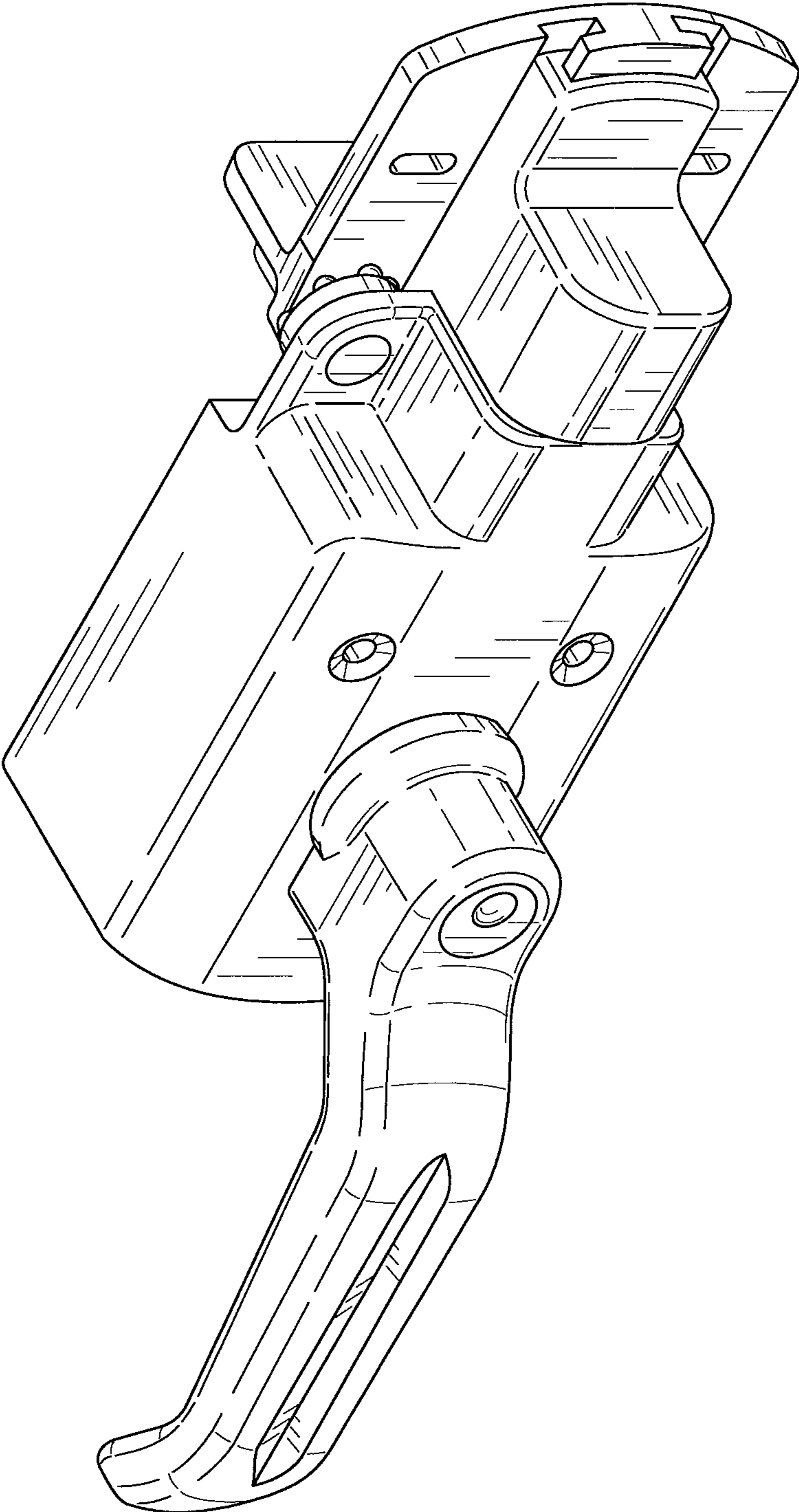


Fig. 1

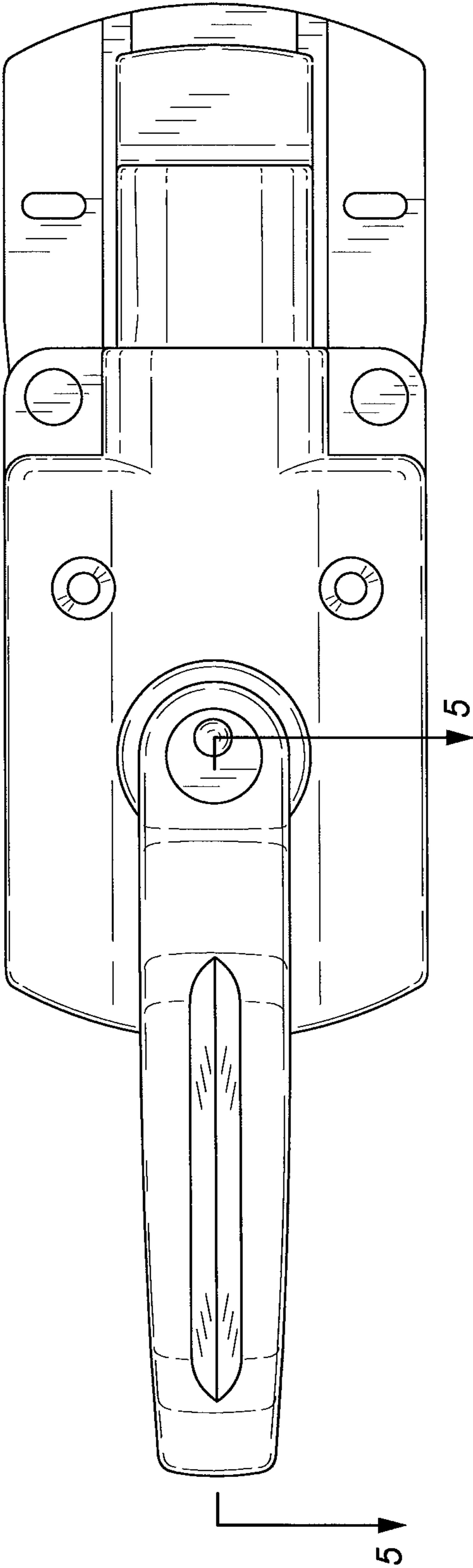


Fig. 2

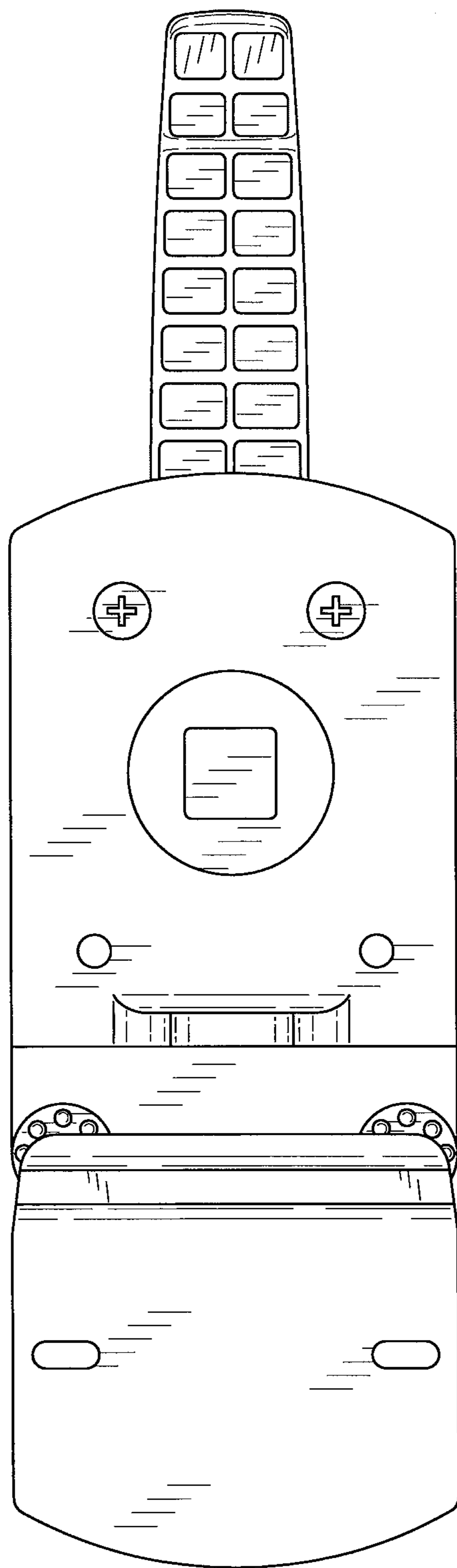


Fig. 3

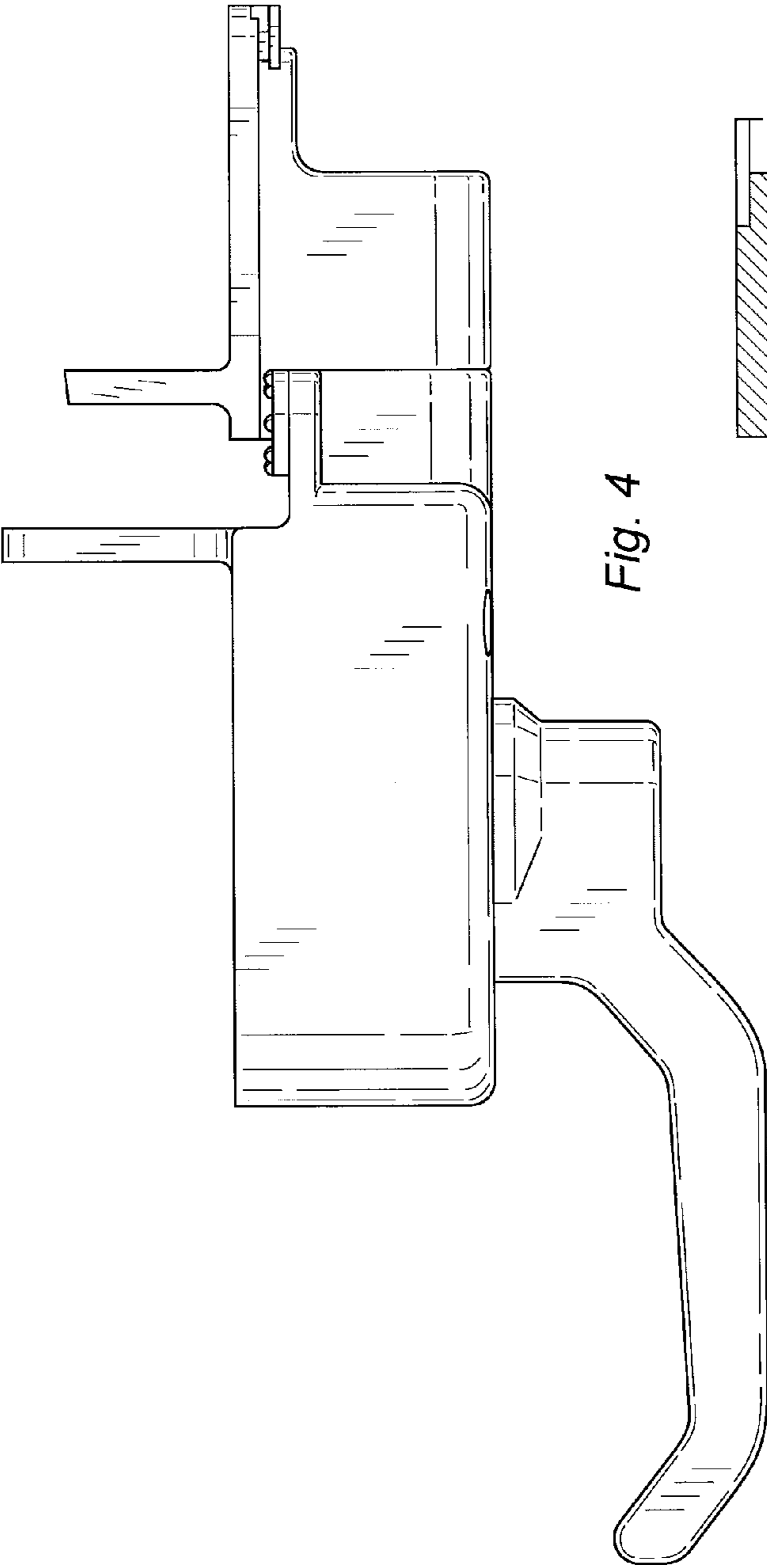


Fig. 4

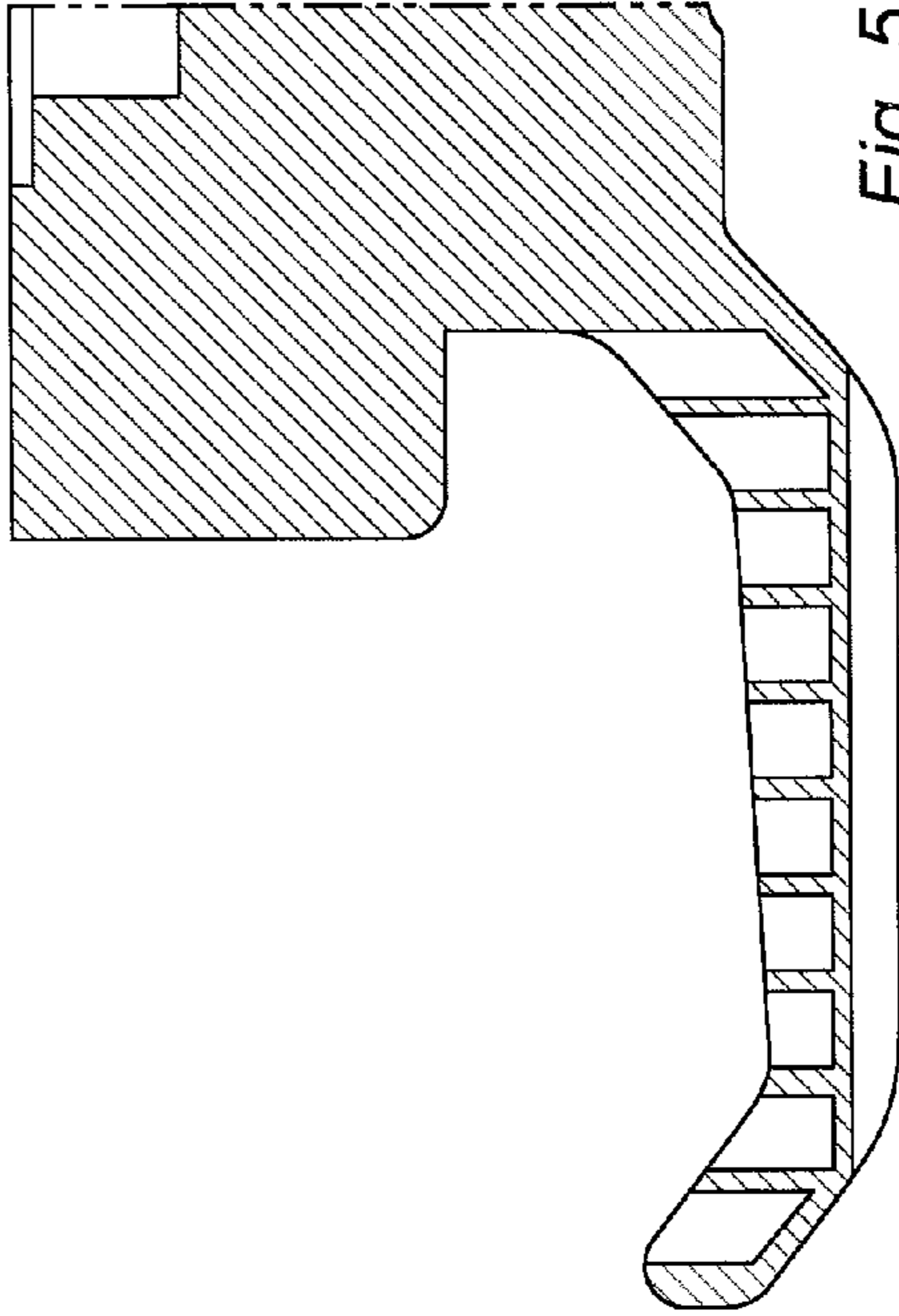


Fig. 5

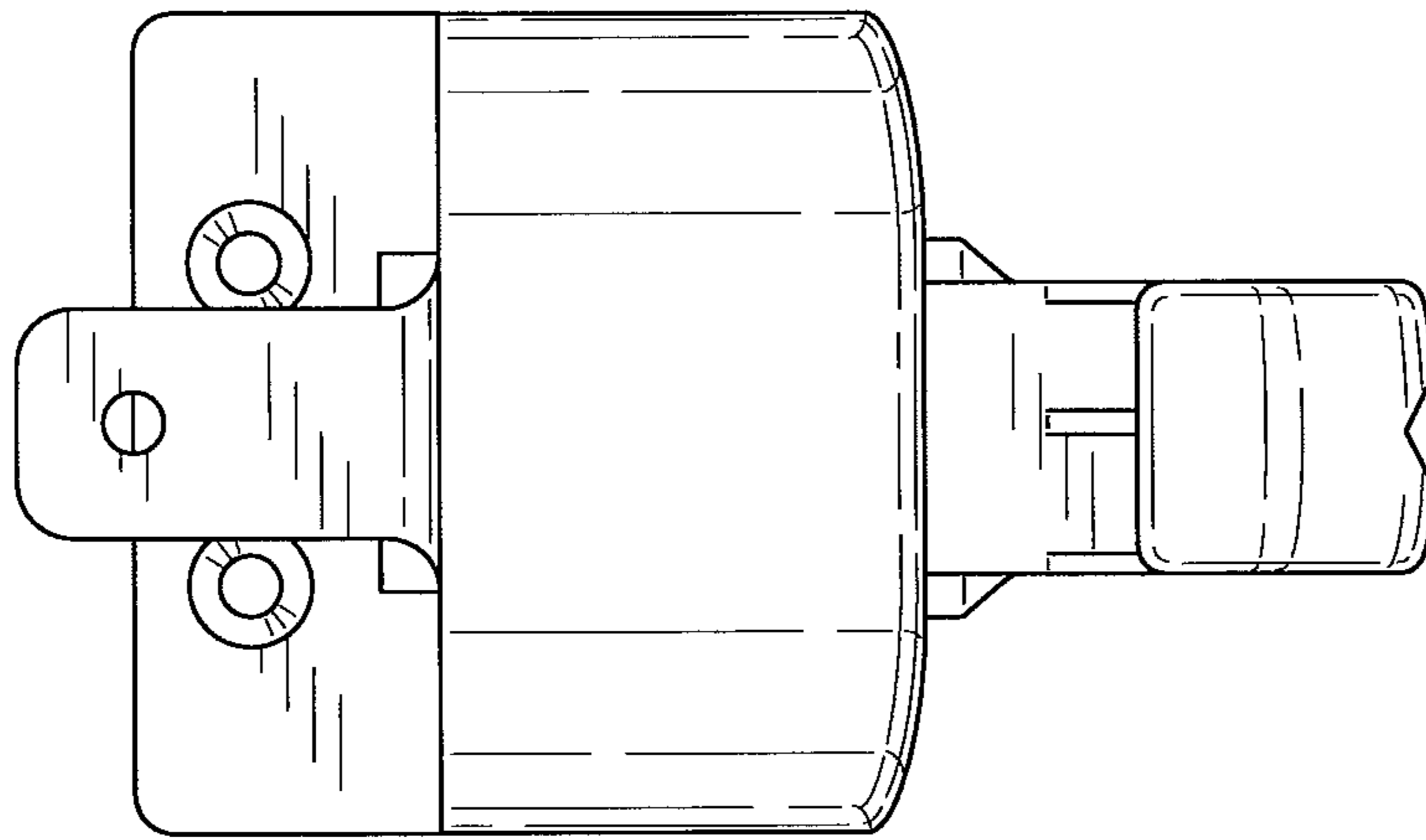


Fig. 6

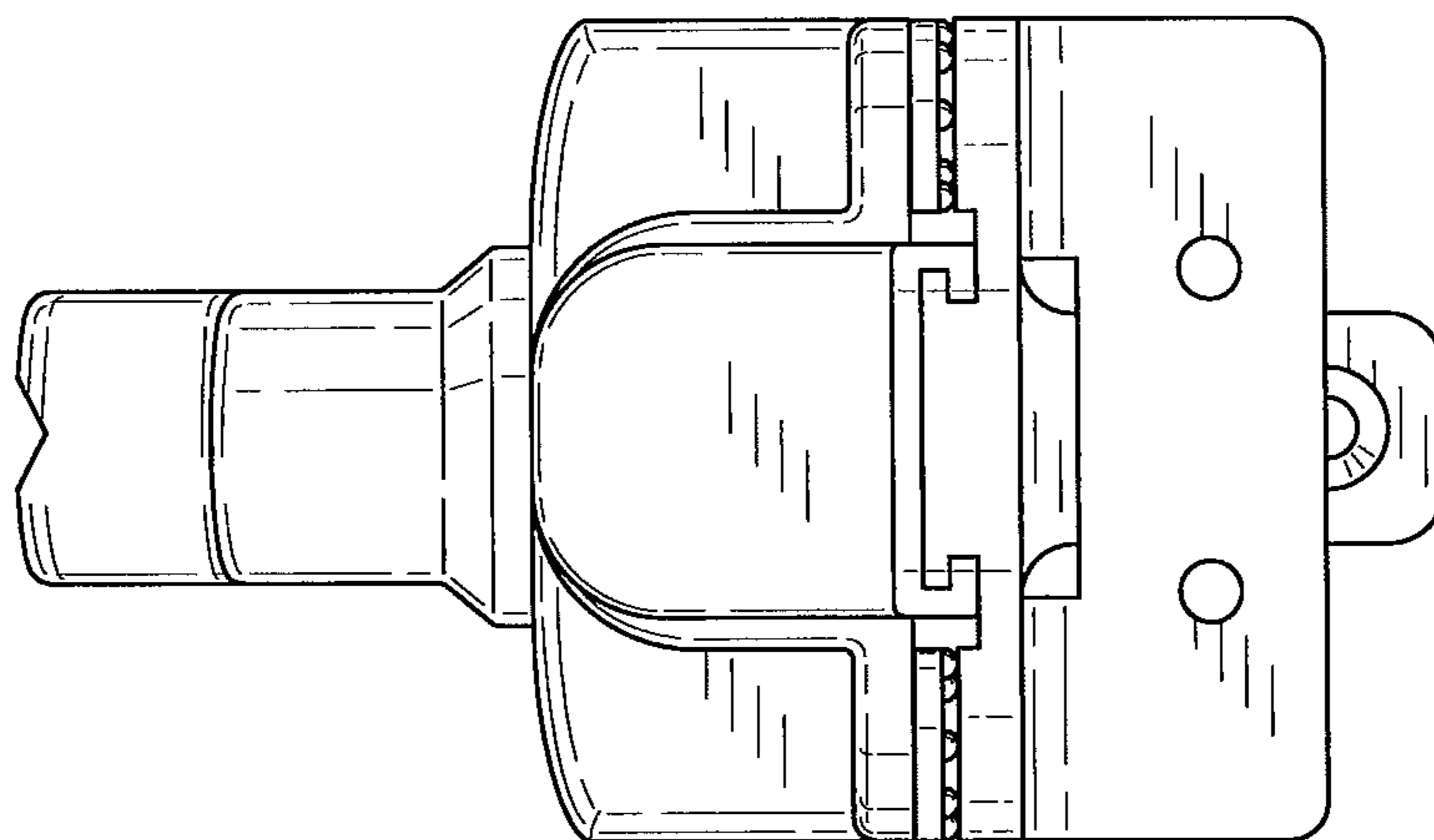


Fig. 7