



US00D701103S

(12) **United States Design Patent**
Marfione et al.

(10) **Patent No.:** **US D701,103 S**
(45) **Date of Patent:** **** Mar. 18, 2014**

(54) **BUTTERFLY KNIFE**

(75) Inventors: **Anthony L Marfione**, Bradford, PA (US); **Anthony Gary Marfione**, Bradford, PA (US)

(73) Assignee: **Marfione Custom Knives LLC**, Bradford, PA (US)

(**) Term: **14 Years**

(21) Appl. No.: **29/425,457**

(22) Filed: **Jun. 22, 2012**

(51) **LOC (10) Cl.** **08-03**

(52) **U.S. Cl.**
USPC **D8/99**

(58) **Field of Classification Search**
USPC D8/20, 95-99, 107; D22/118;
30/154-162, 329-331
See application file for complete search history.

(56) **References Cited**

U.S. PATENT DOCUMENTS

D153,746	S	*	5/1949	Alexander	D8/99
4,364,174	A	*	12/1982	De Asis	30/153
D289,368	S	*	4/1987	Mann	D8/99
D418,383	S	*	1/2000	Bradichansky	D8/99
6,195,898	B1	*	3/2001	Lemisch	30/153
D487,494	S	*	3/2004	Glesser	D22/118
6,715,208	B2	*	4/2004	Lemisch	30/153
D569,212	S	*	5/2008	Hawk et al.	D8/99
D573,435	S	*	7/2008	Tsuda et al.	D8/99
7,676,930	B1	*	3/2010	Demko	30/153
8,147,159	B2	*	4/2012	Glesser et al.	401/195
8,182,166	B2	*	5/2012	Colman	401/131
RE43,908	E	*	1/2013	Demko	30/153
8,393,069	B2	*	3/2013	Glesser et al.	29/527.1

OTHER PUBLICATIONS

Microtech Marfione Butterfly Knife. Snagged Jun. 2, 2013 at http://www.bladehq.com/item--Microtech-Custom-Metal-Mark--12625.*

Details of Microtech Marfione. Snagged Jun. 2, 2013 at http://www.bladehq.com/item--Microtech-Custom-Metal-Mark--12625.*

* cited by examiner

Primary Examiner — Susan E Krakower

Assistant Examiner — Roselynn Cody

(74) *Attorney, Agent, or Firm* — Jonathan M. D'Silva; MacDonald, Illig, Jones & Britton LLP

(57) **CLAIM**

The ornamental design for a butterfly knife, as shown and described.

DESCRIPTION

FIG. 1 is a right hand facing perspective view of a butterfly knife;

FIG. 2 is a left hand facing perspective view of the butterfly knife shown in FIG. 1;

FIG. 3 is a right hand facing side view of the butterfly knife shown in FIG. 1;

FIG. 4 is a left hand facing side view of the butterfly knife shown in FIG. 1;

FIG. 5 is a right hand facing top view of the butterfly knife shown in FIG. 1;

FIG. 6 is a right hand facing bottom view of the butterfly knife shown in FIG. 1;

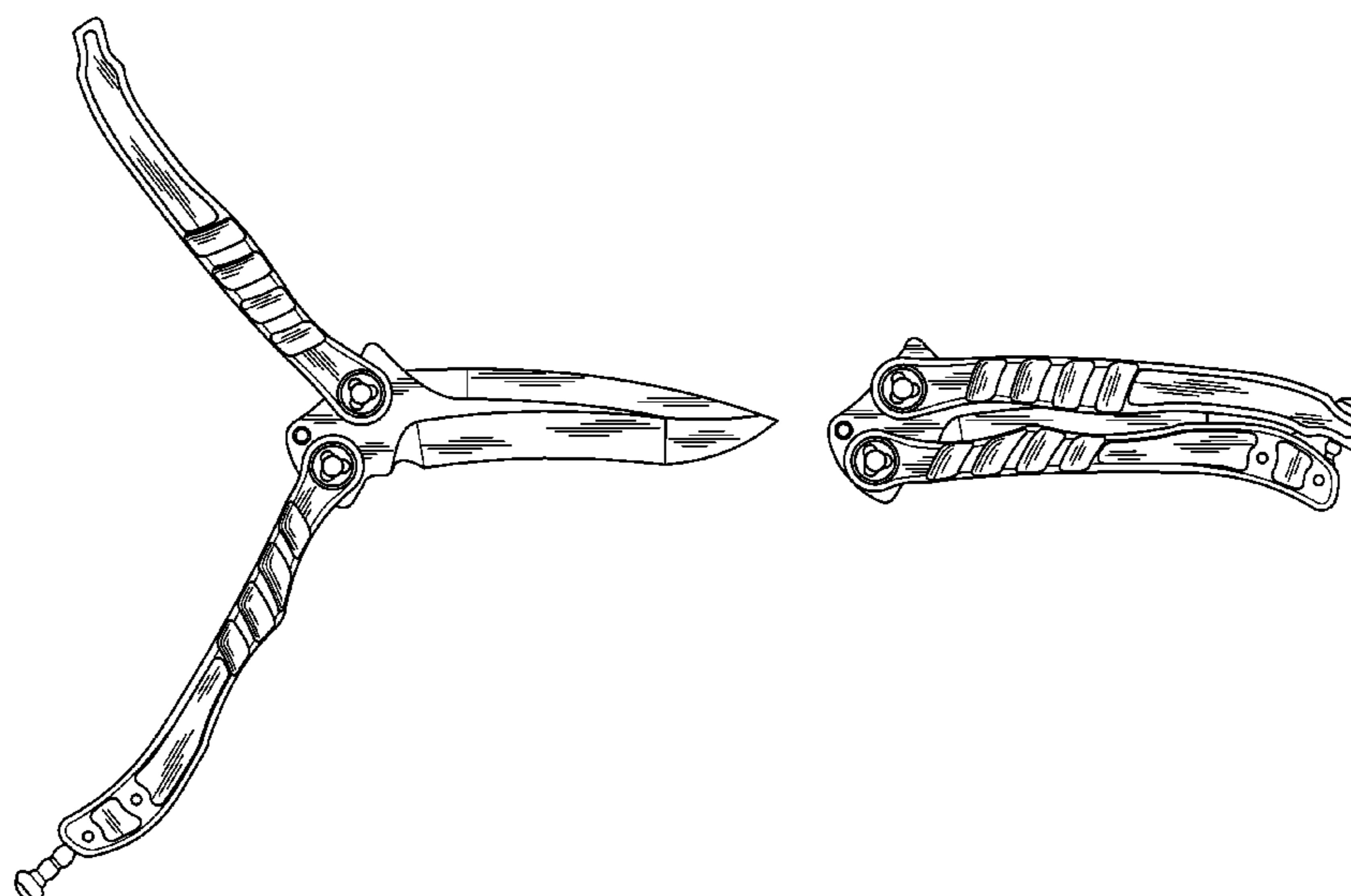
FIG. 7 is a front end view of the butterfly knife shown in FIG. 1;

FIG. 8 is a rear end view of the butterfly knife shown in FIG. 1;

FIG. 9 is a right hand facing side view of the butterfly knife shown in FIG. 1 that is in the half open position; and,

FIG. 10 is a right hand facing side view of the butterfly knife shown in FIG. 1 that is in the closed position.

1 Claim, 4 Drawing Sheets



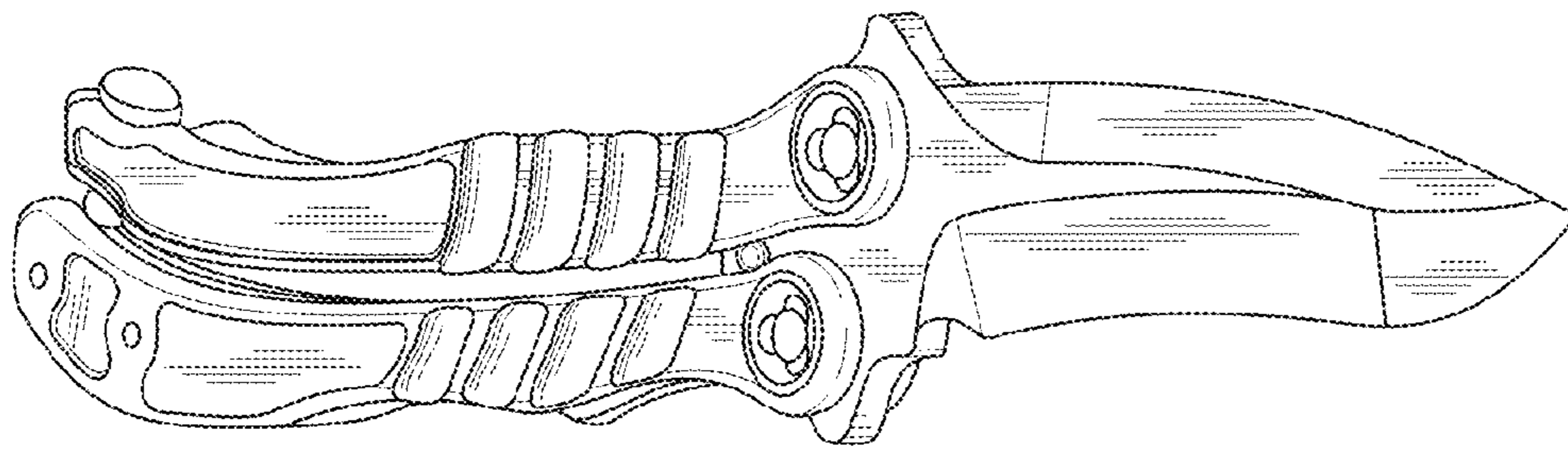


Fig. 1

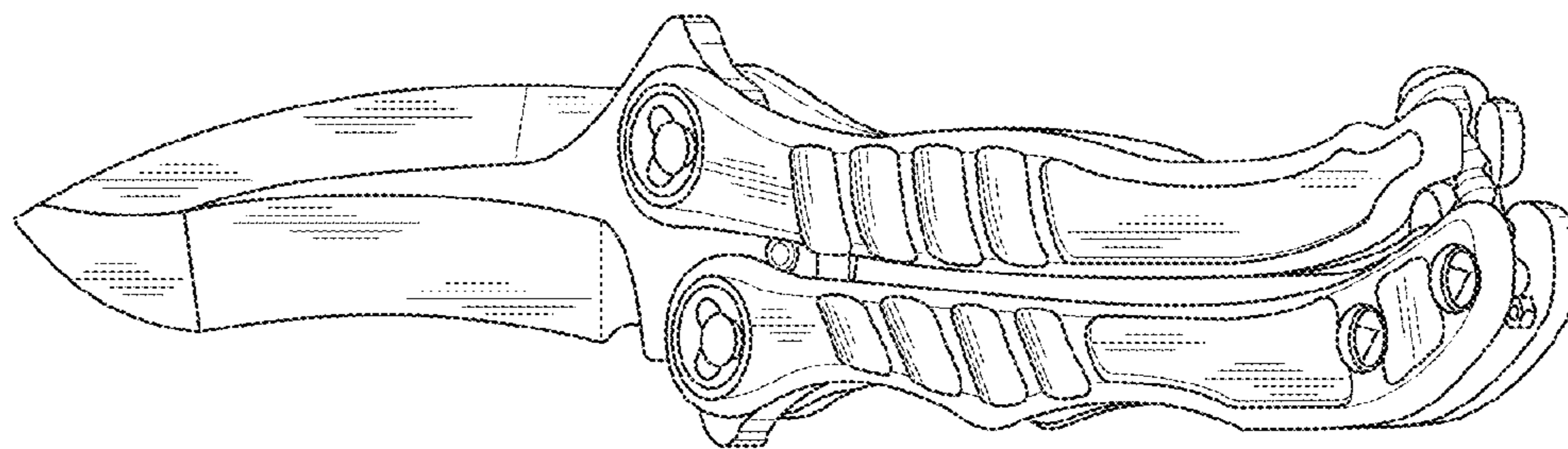


Fig. 2

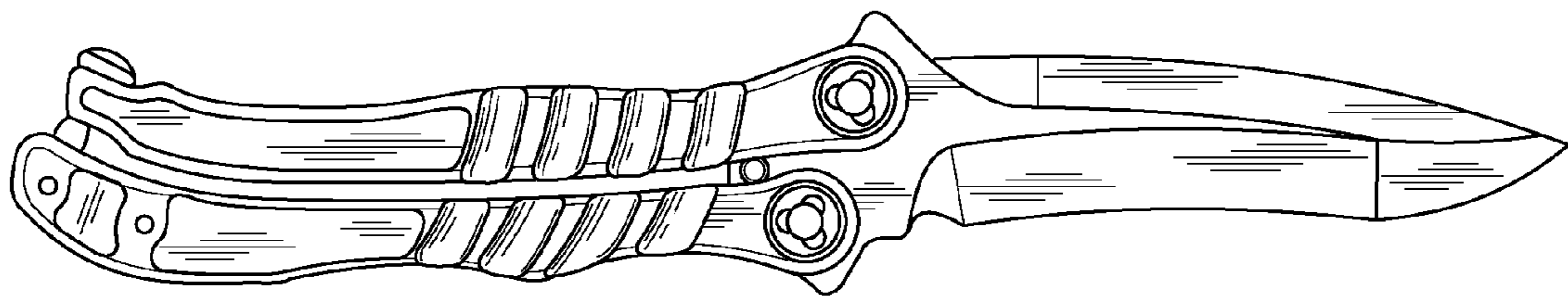


Fig.3

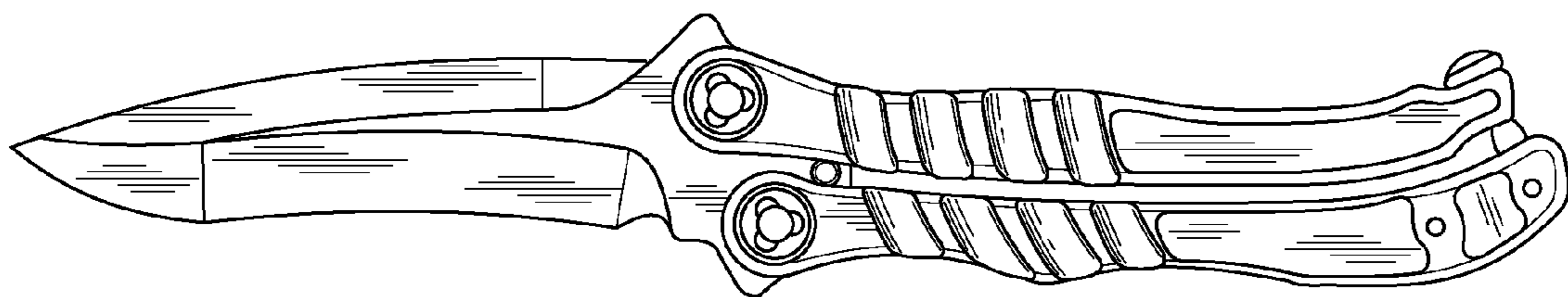


Fig.4



Fig. 5

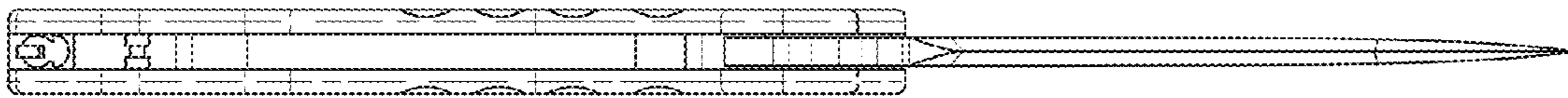


Fig. 6



Fig. 7



Fig. 8

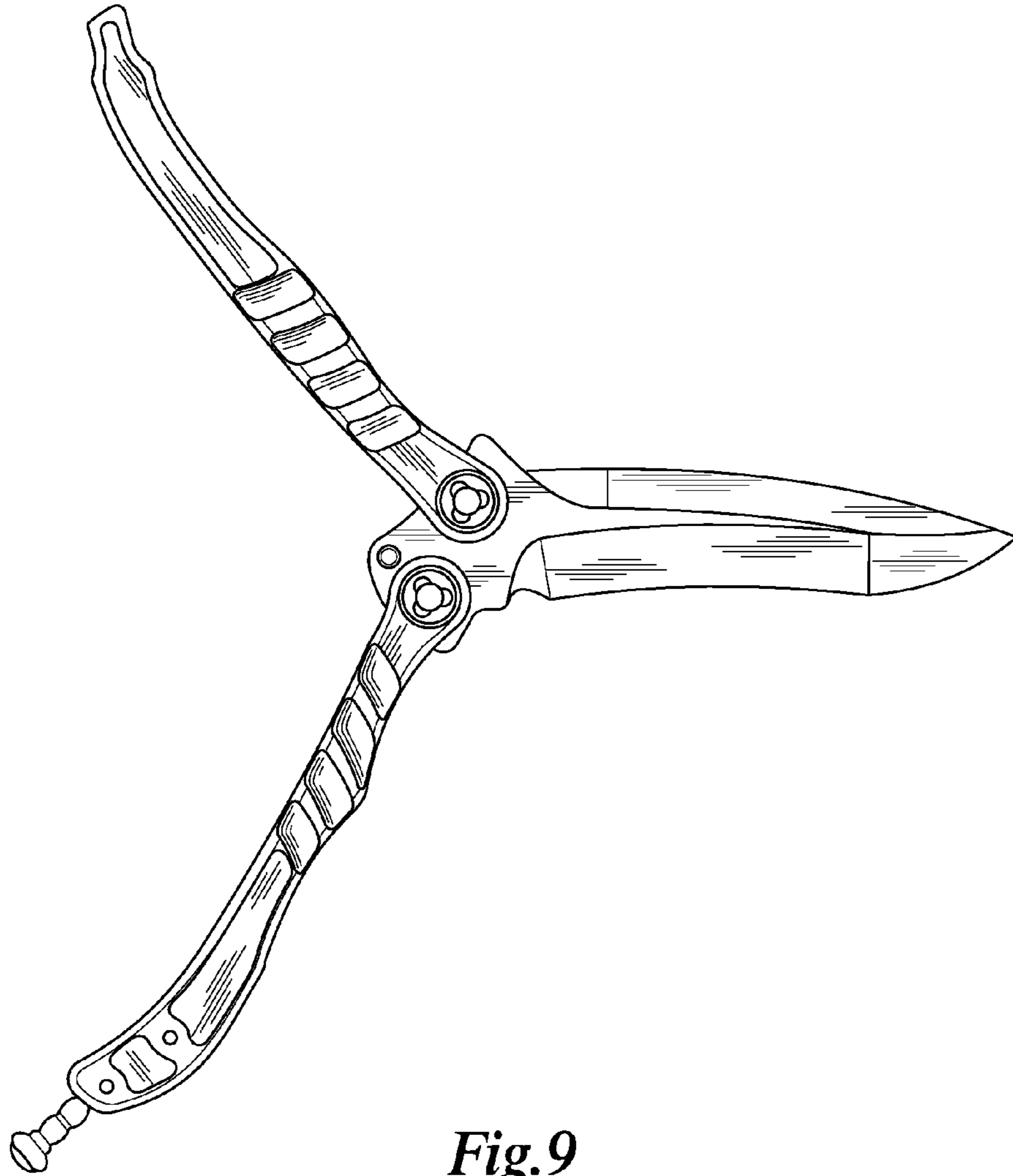


Fig. 9

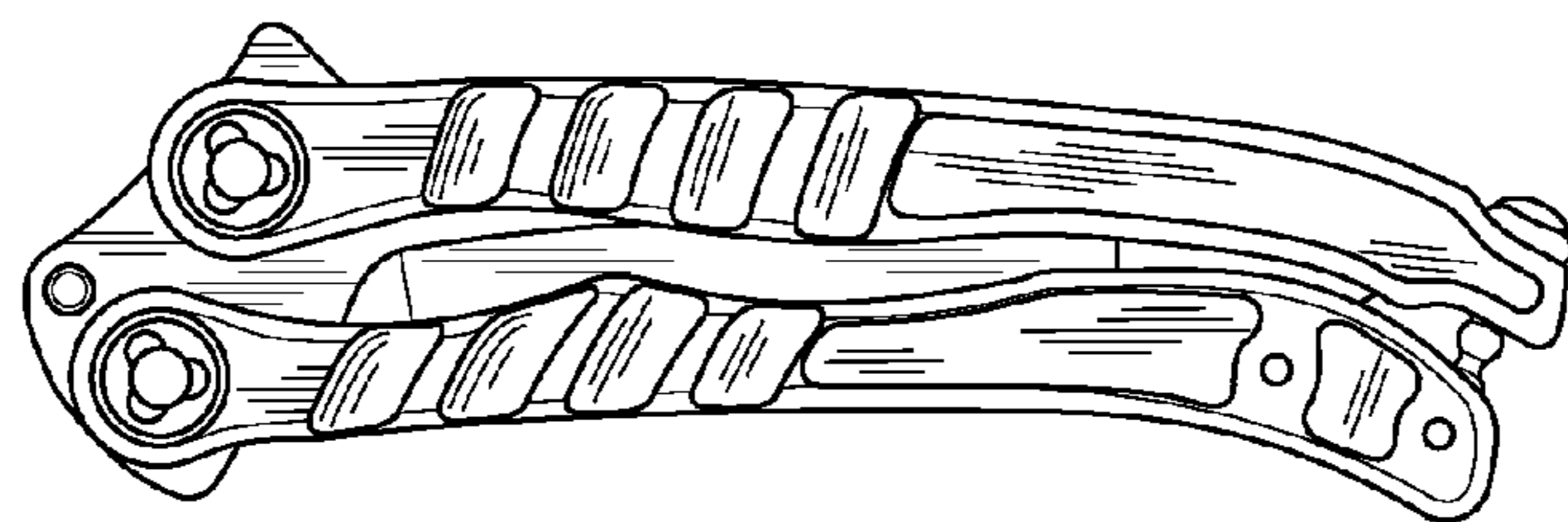


Fig. 10