



US00D701101S

(12) **United States Design Patent**
Krompiec

(10) **Patent No.:** **US D701,101 S**
(45) **Date of Patent:** **** Mar. 18, 2014**

(54) **HEAT GUN ATTACHMENT FOR REMOVING CAULKING**

(71) Applicant: **Richard G. Krompiec**, Pincourt (CA)

(72) Inventor: **Richard G. Krompiec**, Pincourt (CA)

(**) Term: **14 Years**

(21) Appl. No.: **29/447,743**

(22) Filed: **Mar. 6, 2013**

(51) **LOC (10) Cl.** **08-05**

(52) **U.S. Cl.**
USPC **D8/29.1; D8/45**

(58) **Field of Classification Search**
USPC D8/14, 14.1, 29.1, 29.2, 30, 45, 70;
15/235.7, 236.01; 425/87, 458
See application file for complete search history.

(56) **References Cited**

U.S. PATENT DOCUMENTS

2,133,922	A	10/1938	Laskin	
3,109,083	A	10/1963	Meltzer	
D213,782	S *	4/1969	Knowles	D15/144
3,846,060	A *	11/1974	Otis	425/458
4,849,607	A	7/1989	Meo	
5,018,956	A *	5/1991	Lemaster	425/87
5,575,035	A	11/1996	Reis et al.	
5,675,860	A *	10/1997	Campbell	15/235.7
6,305,926	B1 *	10/2001	Ray	425/458
6,822,197	B1	11/2004	Mattfield	
6,969,828	B2	11/2005	Deane, III et al.	
D569,510	S *	5/2008	Poll et al.	D24/135
D628,035	S *	11/2010	Paige	D8/14
7,964,822	B2	6/2011	Suen	
8,011,918	B2 *	9/2011	Erickson et al.	425/458
D690,568	S *	10/2013	Macedo	D8/45
2010/0306947	A1 *	12/2010	White	15/236.02

OTHER PUBLICATIONS

Sealy Wide Scraper. Downloaded <http://www.ffx.co.uk/tools/product/5051747411906%20HS107K.27%20Wide/%20Scraper> on Dec. 15, 2013.*

All-Spec Industries. Nozzle Scraper for HJ5000 Heat Gun <http://www.all-spec.com/products/999-221.html?gclid=CNOpt4vOv71CFcHe4Aodbg8Adg>. Accessed Sep. 18, 2012.

Double D's Motorsports. Tire Scraper. <http://www.doubledparts.com/shop/item.aspx?itemid=90> Accessed Sep. 18, 2012.

PelicanParts. Ultimate Undercoating Scraper. <http://forums.pelicanparts.com/porsche-911-technical-forum/145654-ultimate-undercoating-scraper-cheap-jeri-rig.html> Accessed Sep. 18, 2012.

* cited by examiner

Primary Examiner — Philip S Hyder

Assistant Examiner — Roselynn Cody

(74) *Attorney, Agent, or Firm* — Robert C. Montgomery; Montgomery Patent & Design

(57) **CLAIM**

The ornamental design for a heat gun attachment for removing caulking, as shown and described.

DESCRIPTION

FIG. 1 is an isometric view of a heat gun attachment for removing caulking;

FIG. 2 is a front view thereof;

FIG. 3 is a rear view thereof;

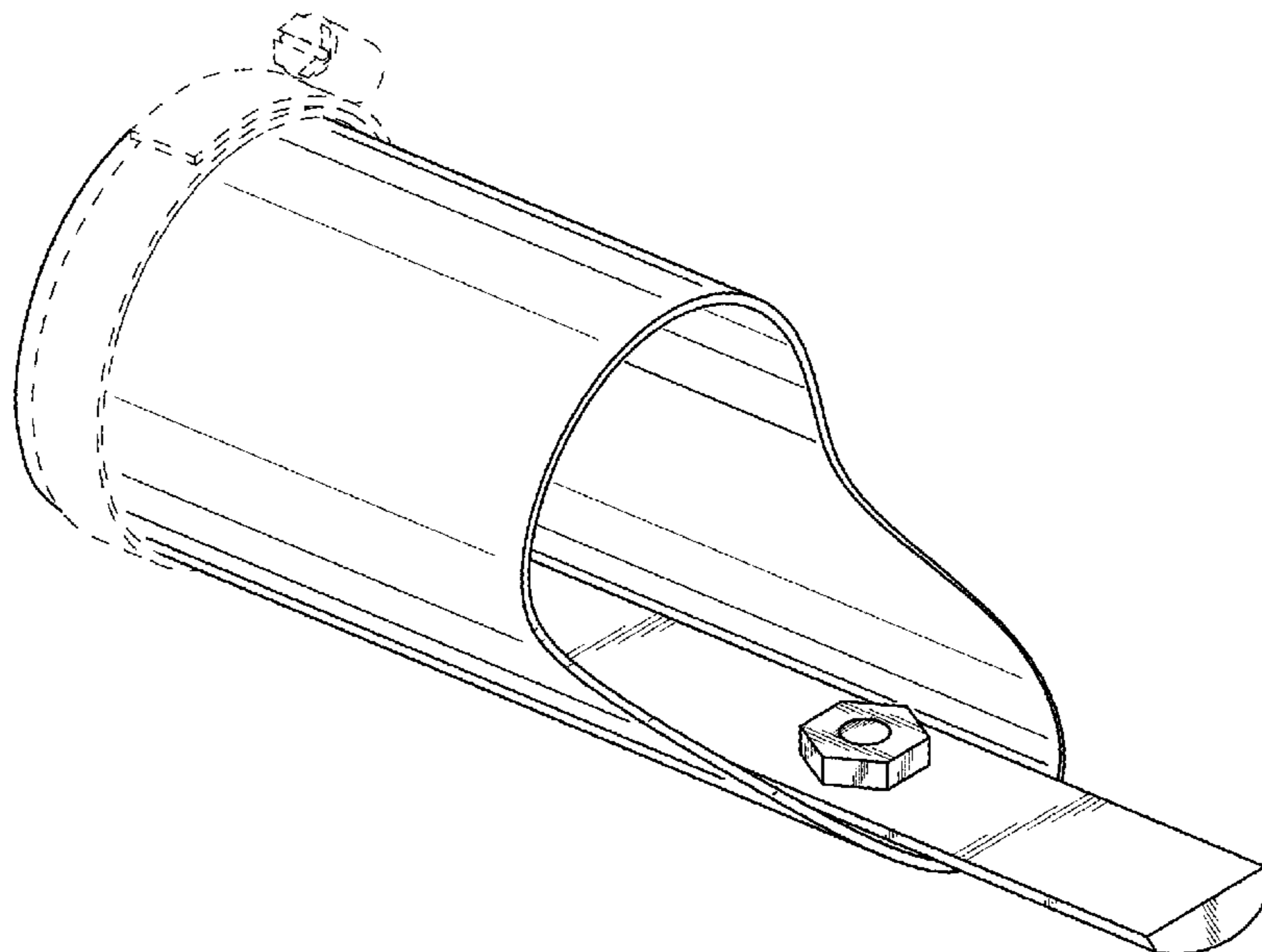
FIG. 4 is a right hand side view thereof, wherein a left hand side view is a mirror image of the right hand side view;

FIG. 5 is a top view thereof;

FIG. 6 is a bottom view thereof; and,

FIG. 7 is another isometric view thereof shown with environmental subject matter in broken lines.

1 Claim, 6 Drawing Sheets



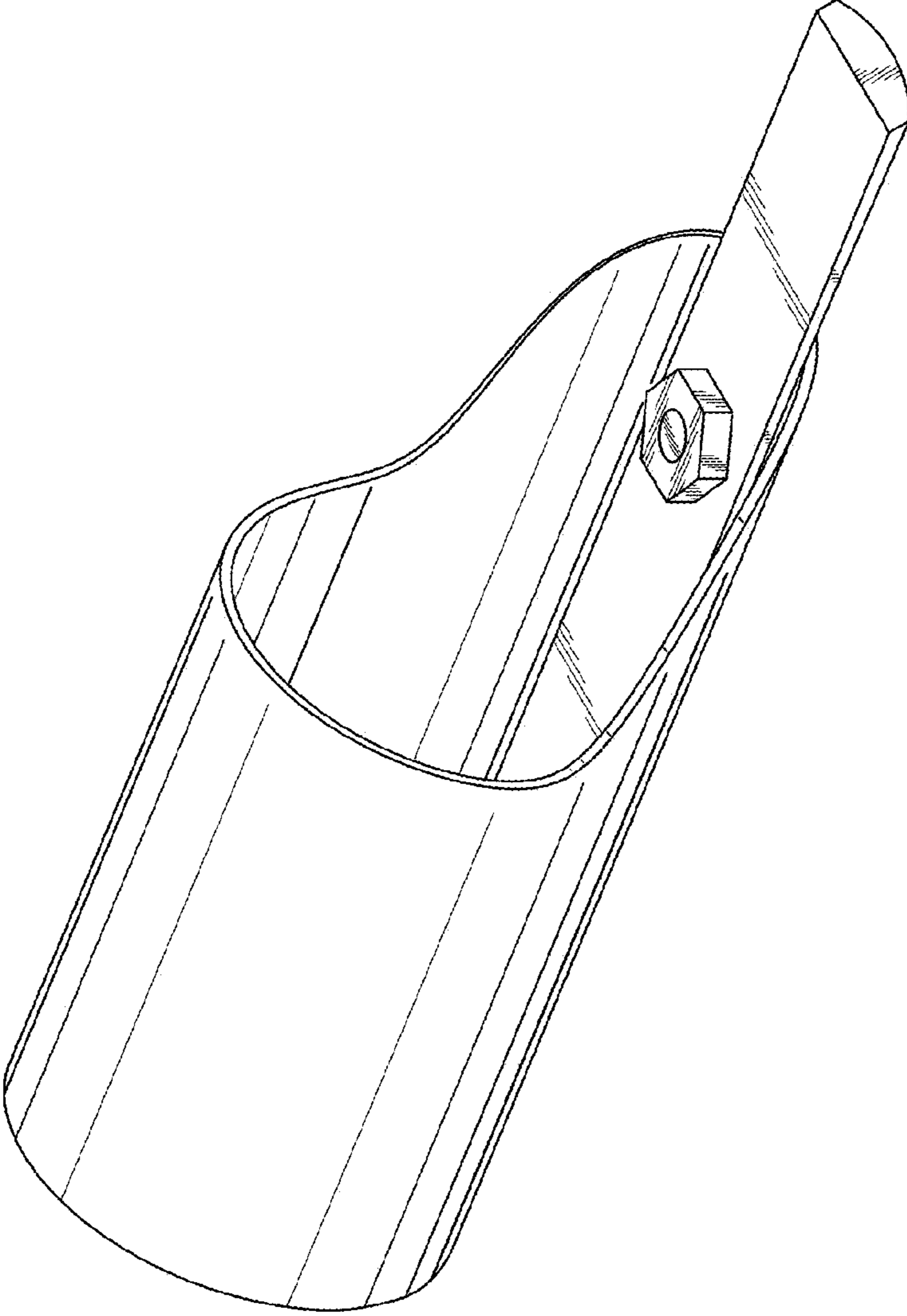


Fig. 1

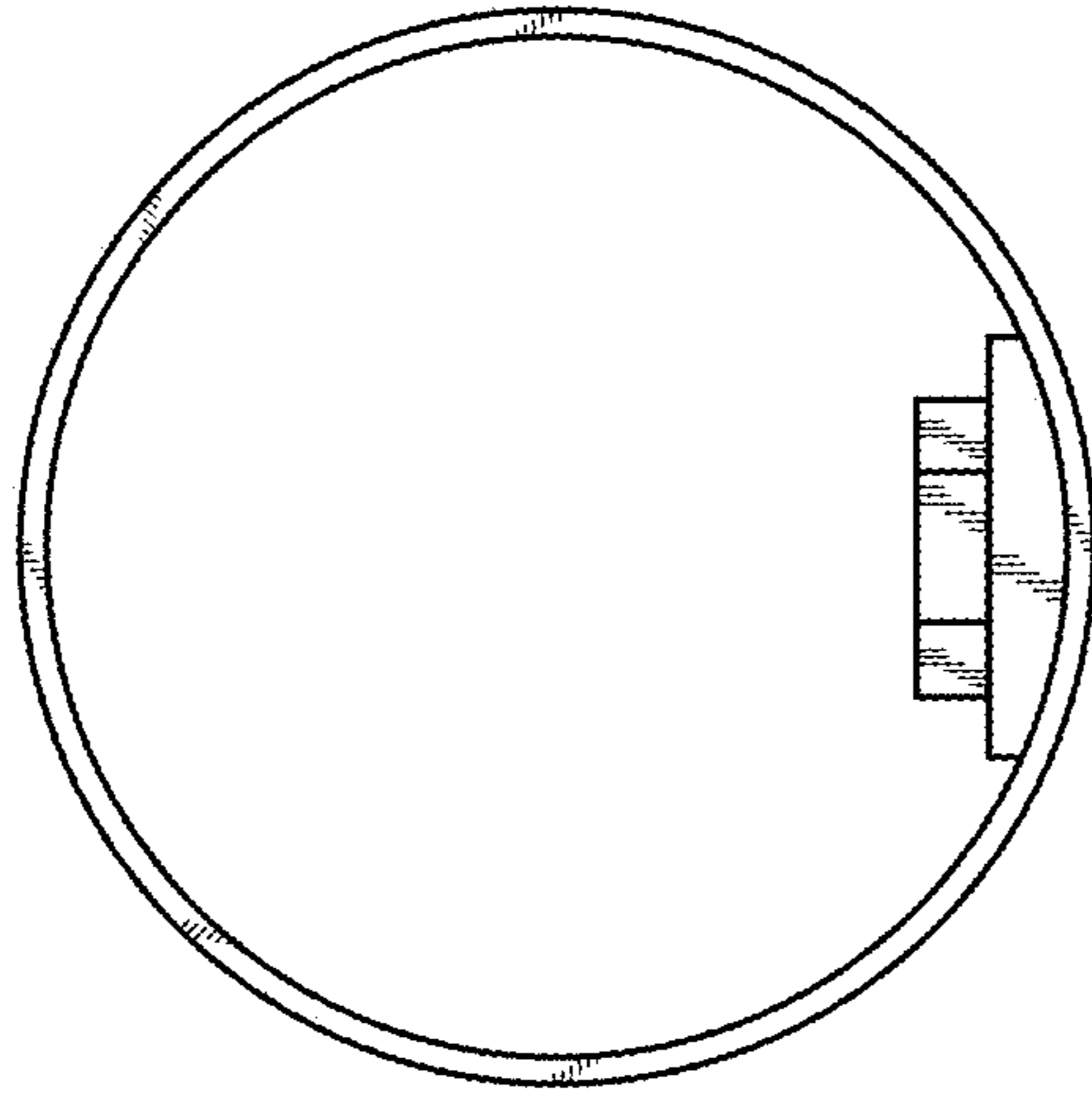


Fig. 3

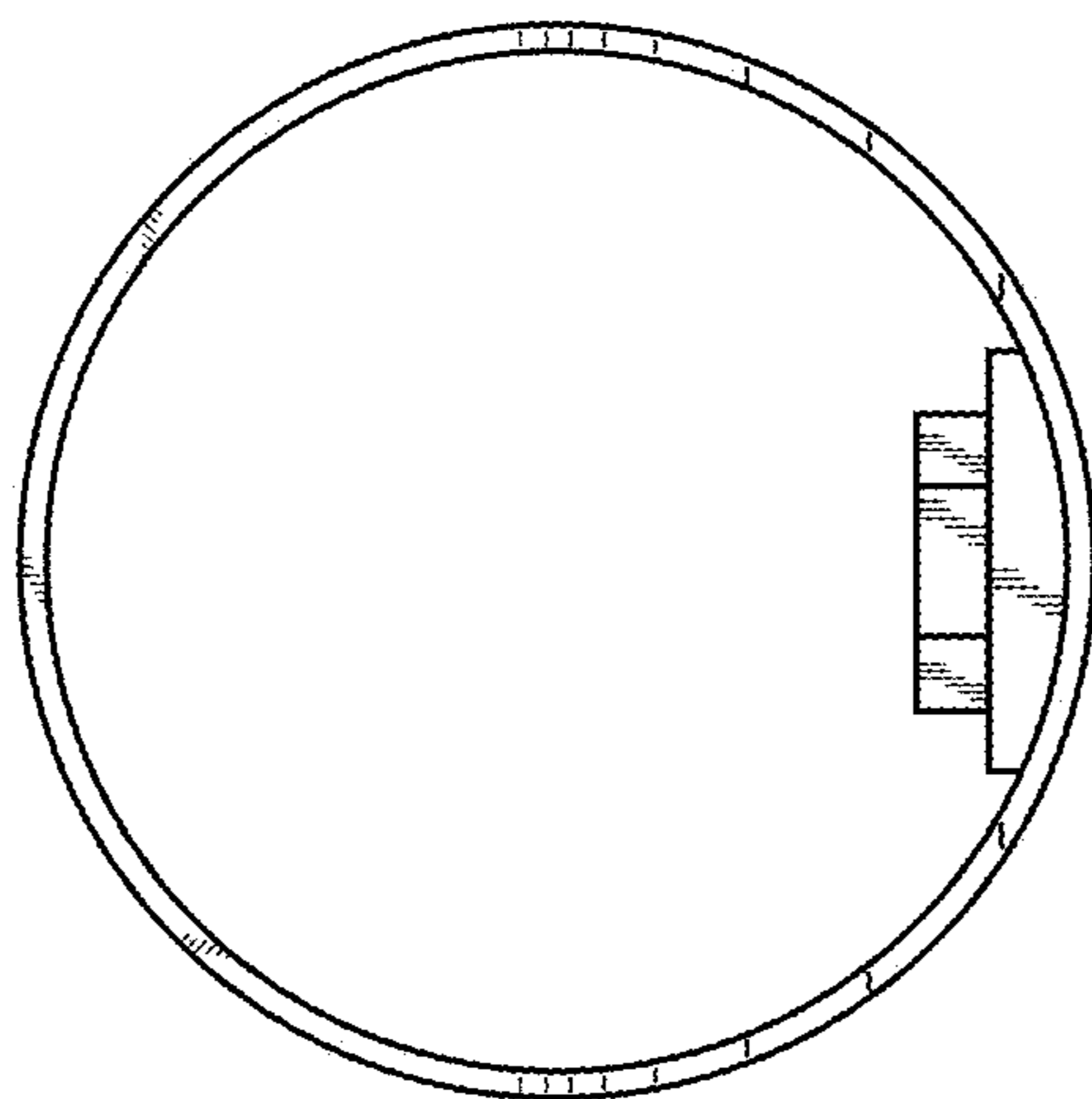


Fig. 2

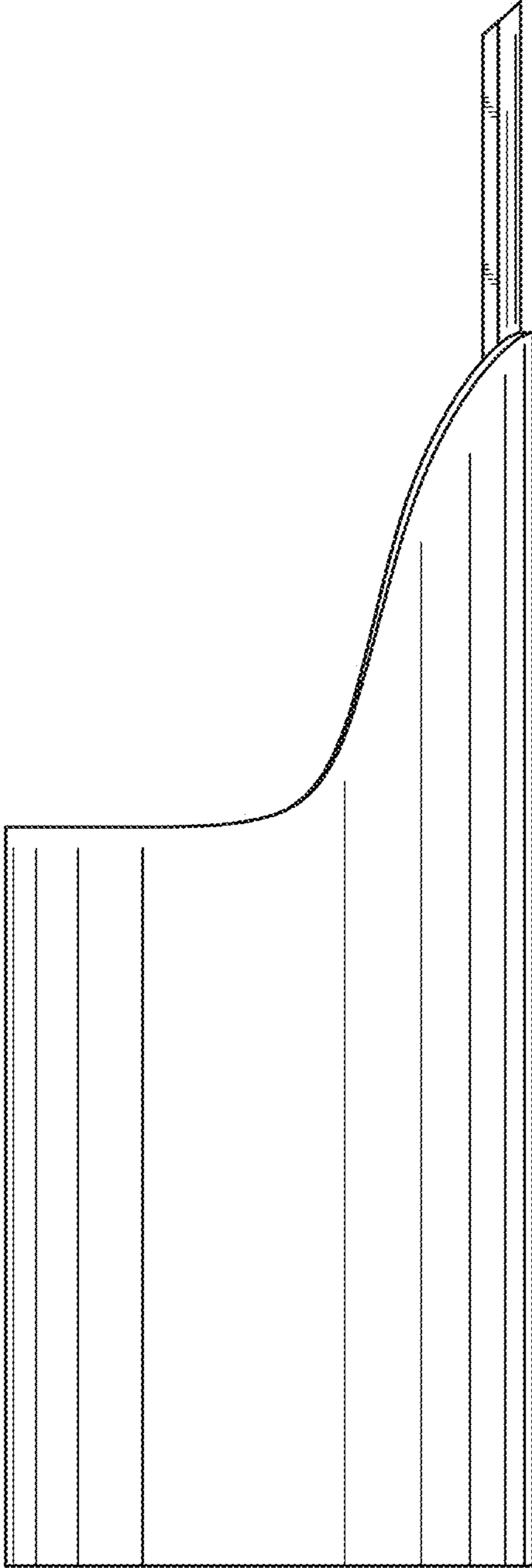


Fig. 4

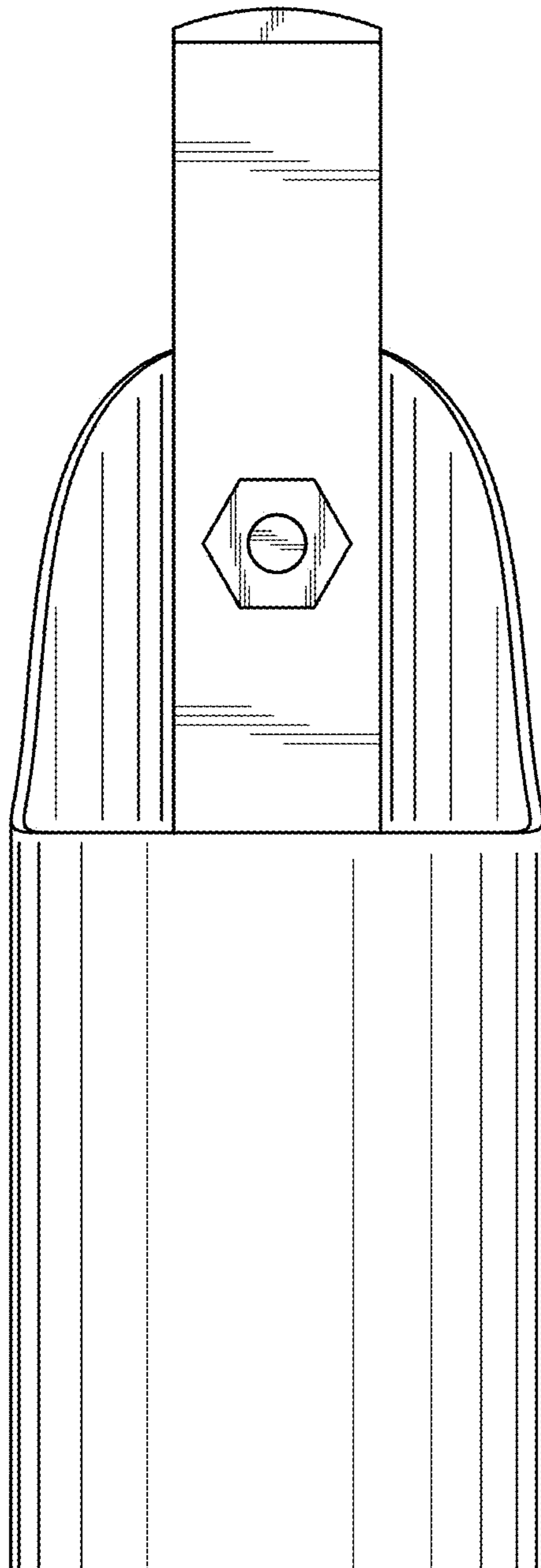


Fig. 5

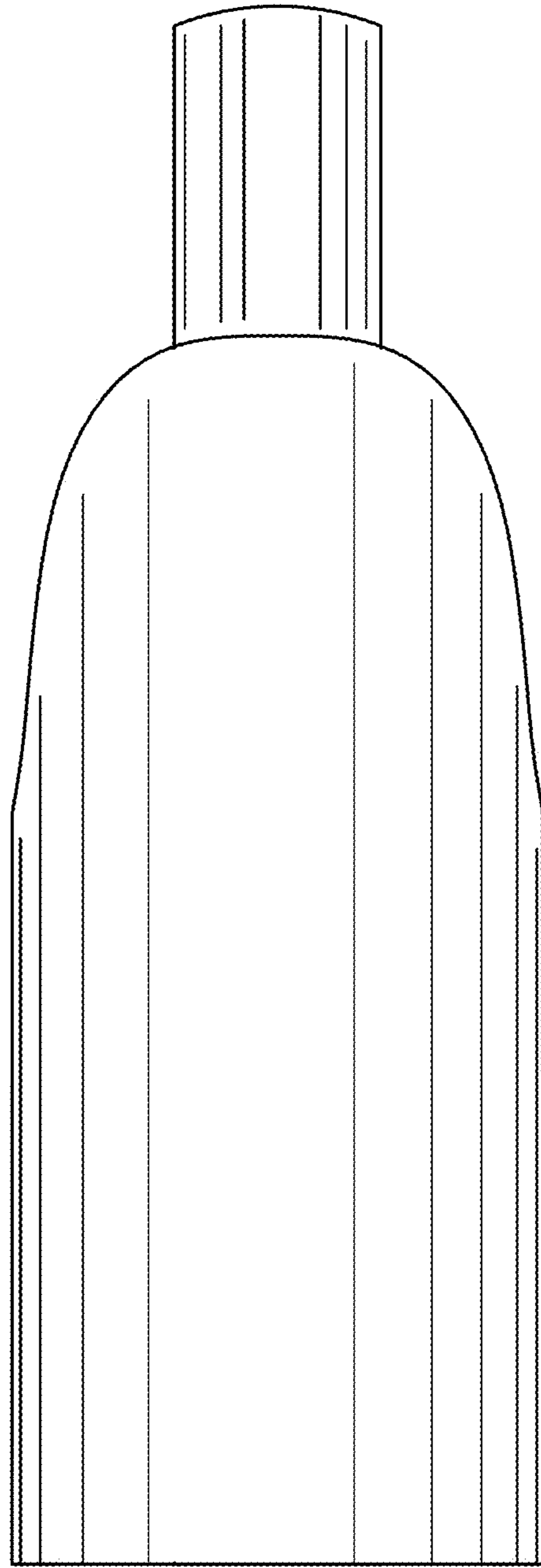


Fig. 6

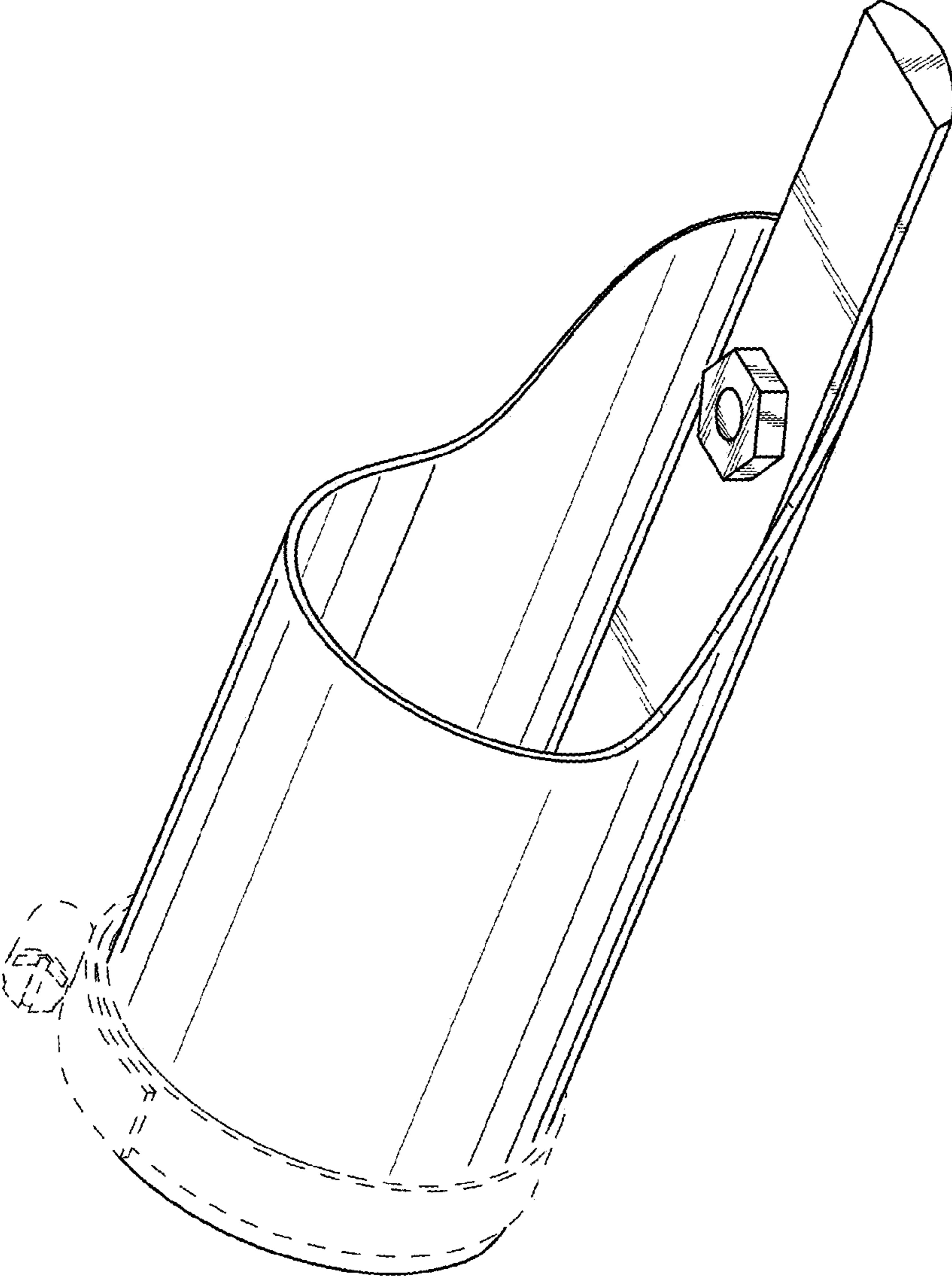


Fig. 7