



US00D701099S

(12) **United States Design Patent**
Wei

(10) **Patent No.:** **US D701,099 S**
(45) **Date of Patent:** **** Mar. 18, 2014**

(54) **SWINGABLE RATCHET WHEEL**

(56) **References Cited**

(71) Applicant: **Hung-Yin Wei**, Taichung (TW)

U.S. PATENT DOCUMENTS

(72) Inventor: **Hung-Yin Wei**, Taichung (TW)

6,148,695	A *	11/2000	Hu	81/60
6,301,998	B1 *	10/2001	Hu	81/60
6,516,930	B2 *	2/2003	Chen	192/43.2
6,575,060	B1 *	6/2003	Tseng et al.	81/63.2
6,644,148	B2 *	11/2003	Hu	81/63.2
6,712,484	B2 *	3/2004	Hsien	81/60
D498,775	S *	11/2004	Hu	D15/148
D498,778	S *	11/2004	Hu	D15/148
7,032,478	B2 *	4/2006	Hu	81/63.2
7,121,170	B2 *	10/2006	Shen	81/63.2
7,146,881	B2 *	12/2006	Chang	81/62
7,328,633	B2 *	2/2008	Lin	81/63.1

(**) Term: **14 Years**

(21) Appl. No.: **29/434,025**

(22) Filed: **Oct. 9, 2012**

Related U.S. Application Data

(63) Continuation-in-part of application No. 29/423,497, filed on Jun. 1, 2012, now Pat. No. Des. 678,739, which is a continuation-in-part of application No. 29/411,506, filed on Jan. 23, 2012, now Pat. No. Des. 665,237.

* cited by examiner

Primary Examiner — Randall Gholson

(74) *Attorney, Agent, or Firm* — Rosenberg, Klein & Lee

(51) **LOC (10) Cl.** **08-05**

(57) **CLAIM**

The ornamental design for a swingable ratchet wheel, as shown and described.

(52) **U.S. Cl.**

DESCRIPTION

USPC **D8/25**

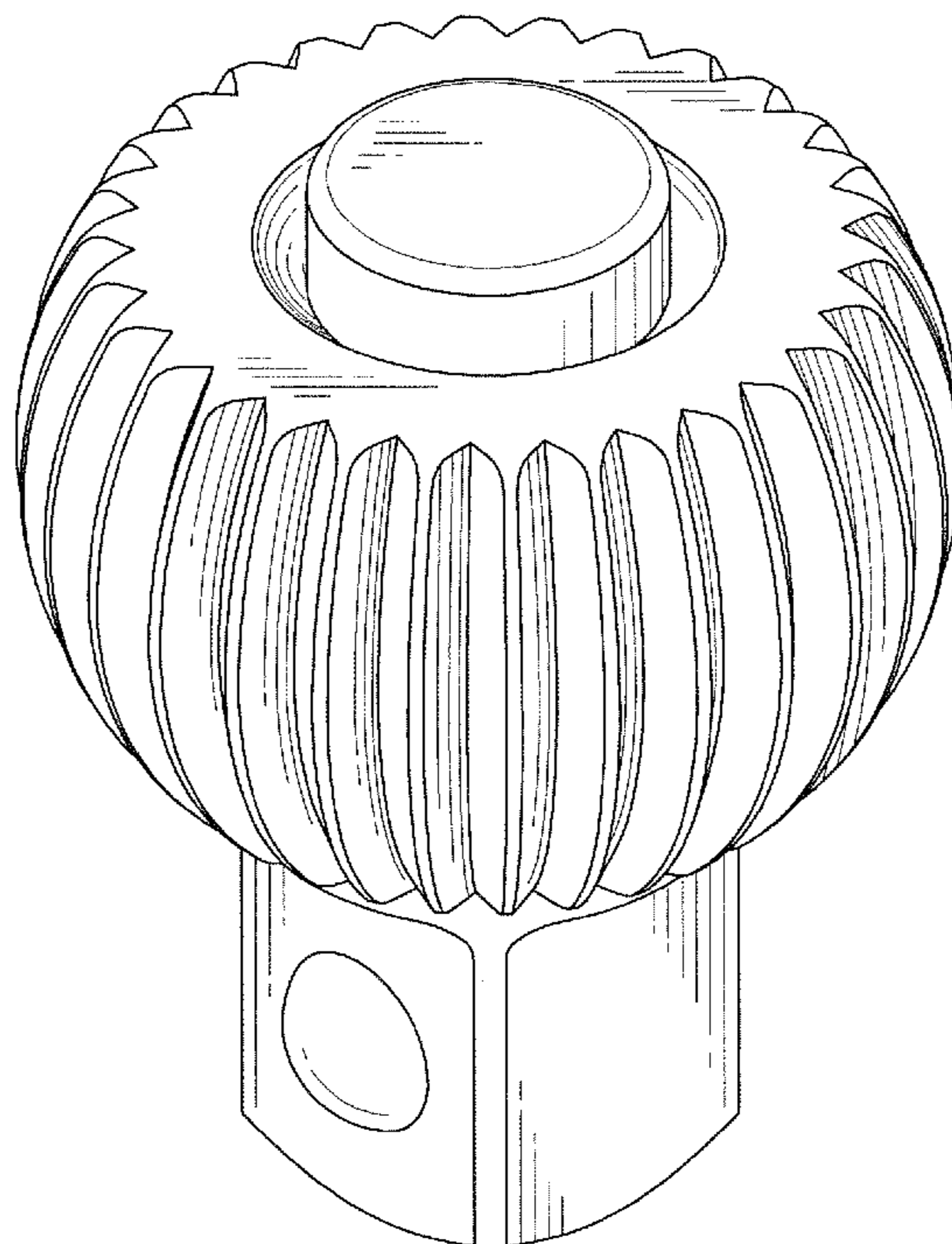
(58) **Field of Classification Search**

USPC D8/21–29, 81–87, 102–107, 98, 99, 55, D8/93, 94; 81/60–63.2, 177.1, 177.85, 81/177.8, 489, 125.1, 121.1, 119, 120, 81/176.1, 186, 177.9, 185.1, 176.2, 165, 81/170, 3.35, 58, 3.45, 155, 57.29; 206/378; 16/429, 441, 124.6, 22; 7/100, 138, 168; 192/43, 43.1, 46

FIG. 1 is a perspective view of a swingable ratchet wheel showing my new design;
FIG. 2 is a front elevational view thereof;
FIG. 3 is a rear elevational view thereof;
FIG. 4 is a left side view thereof;
FIG. 5 is a right side view thereof;
FIG. 6 is a top plan view thereof;
FIG. 7 is a bottom plan view thereof; and,
FIG. 8 is another perspective view thereof as viewed from another angle.

See application file for complete search history.

1 Claim, 8 Drawing Sheets



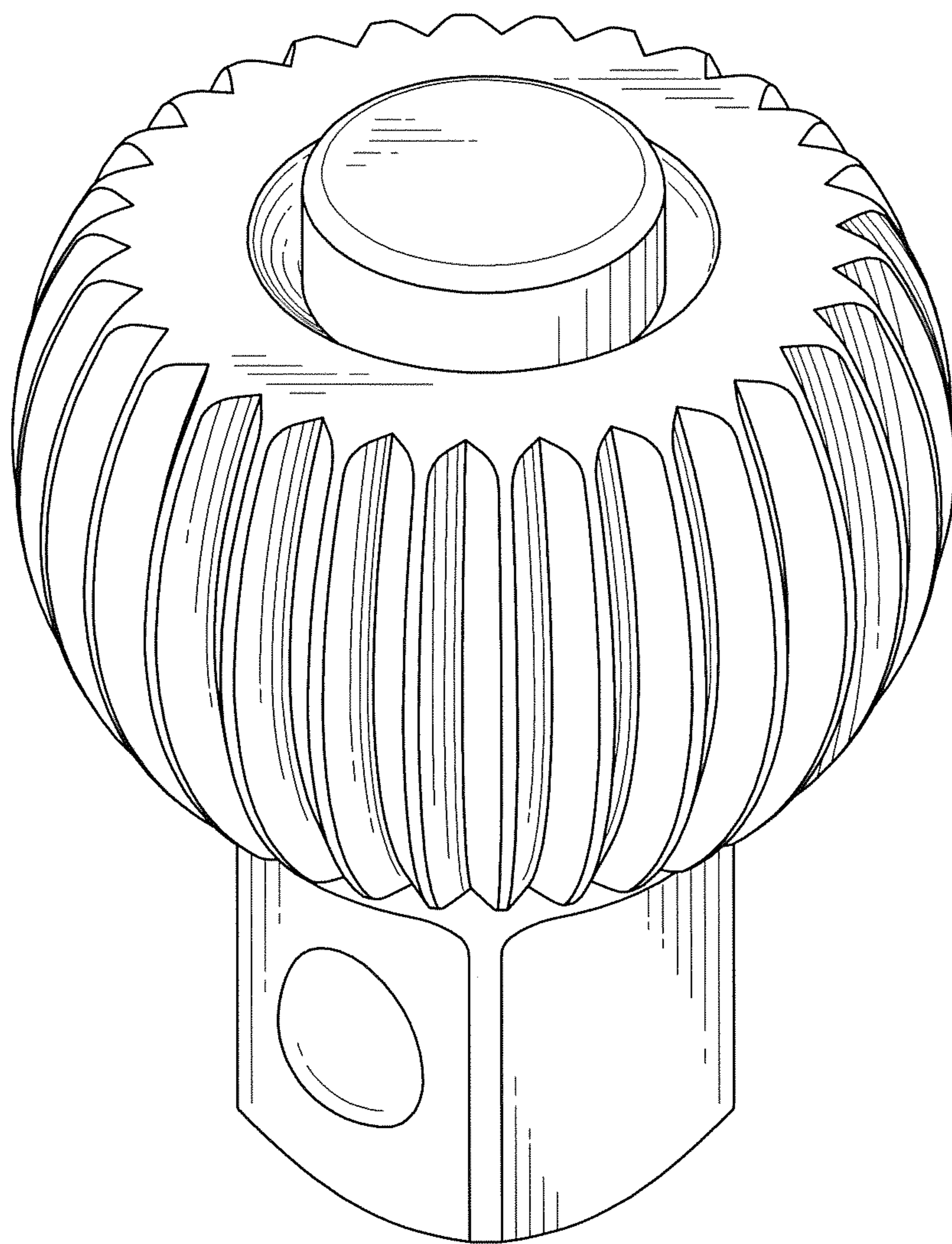


FIG. 1

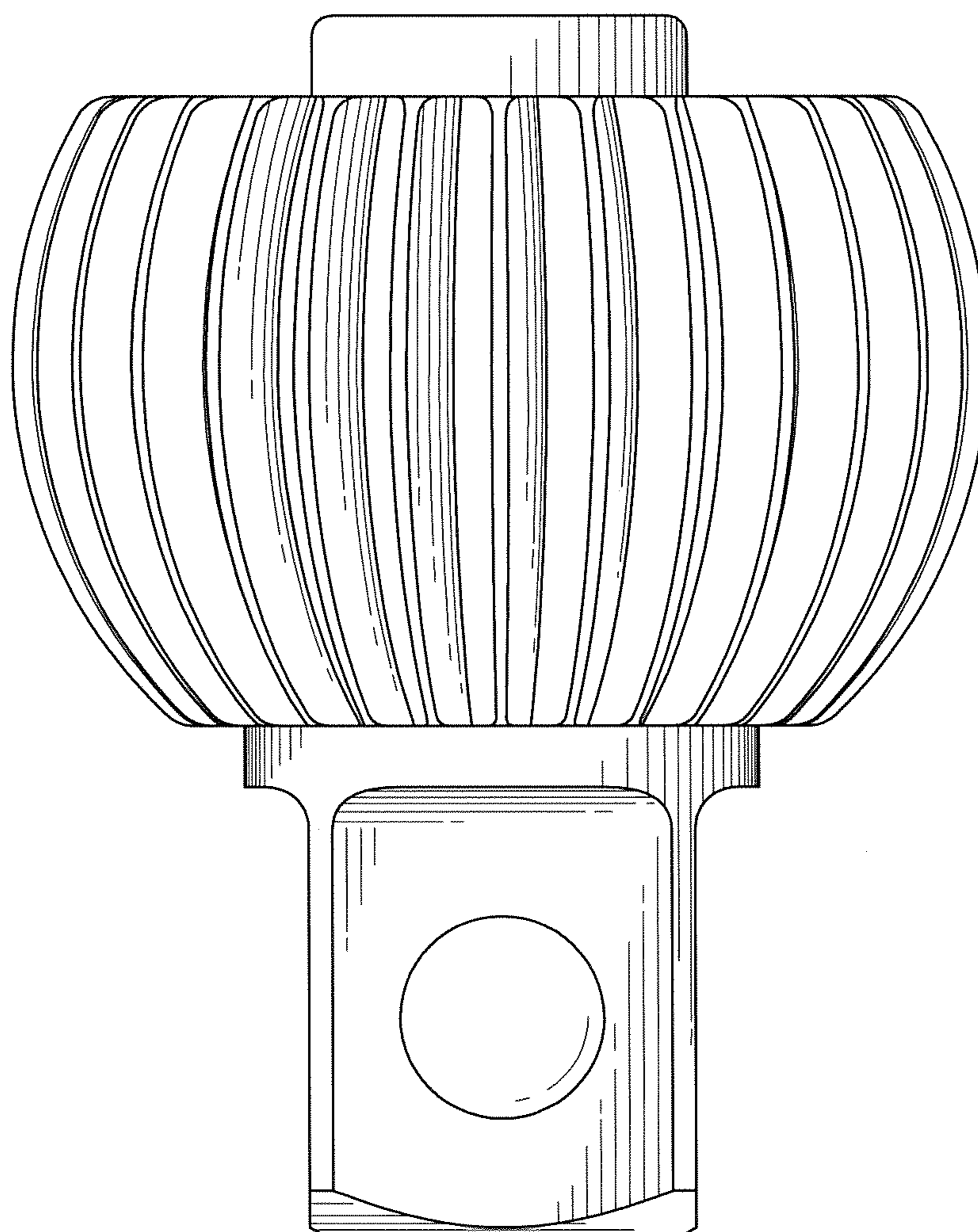


FIG. 2

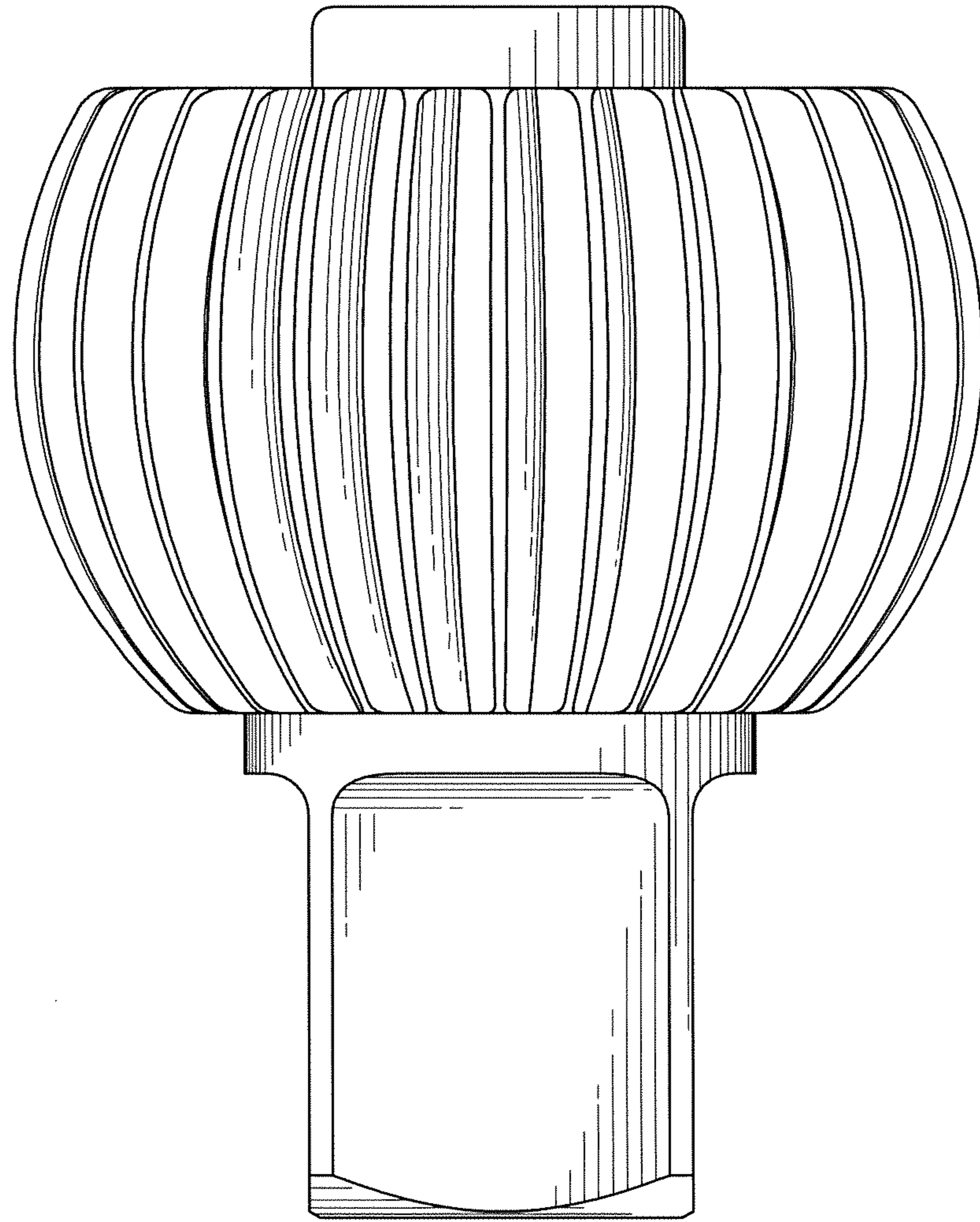


FIG. 3

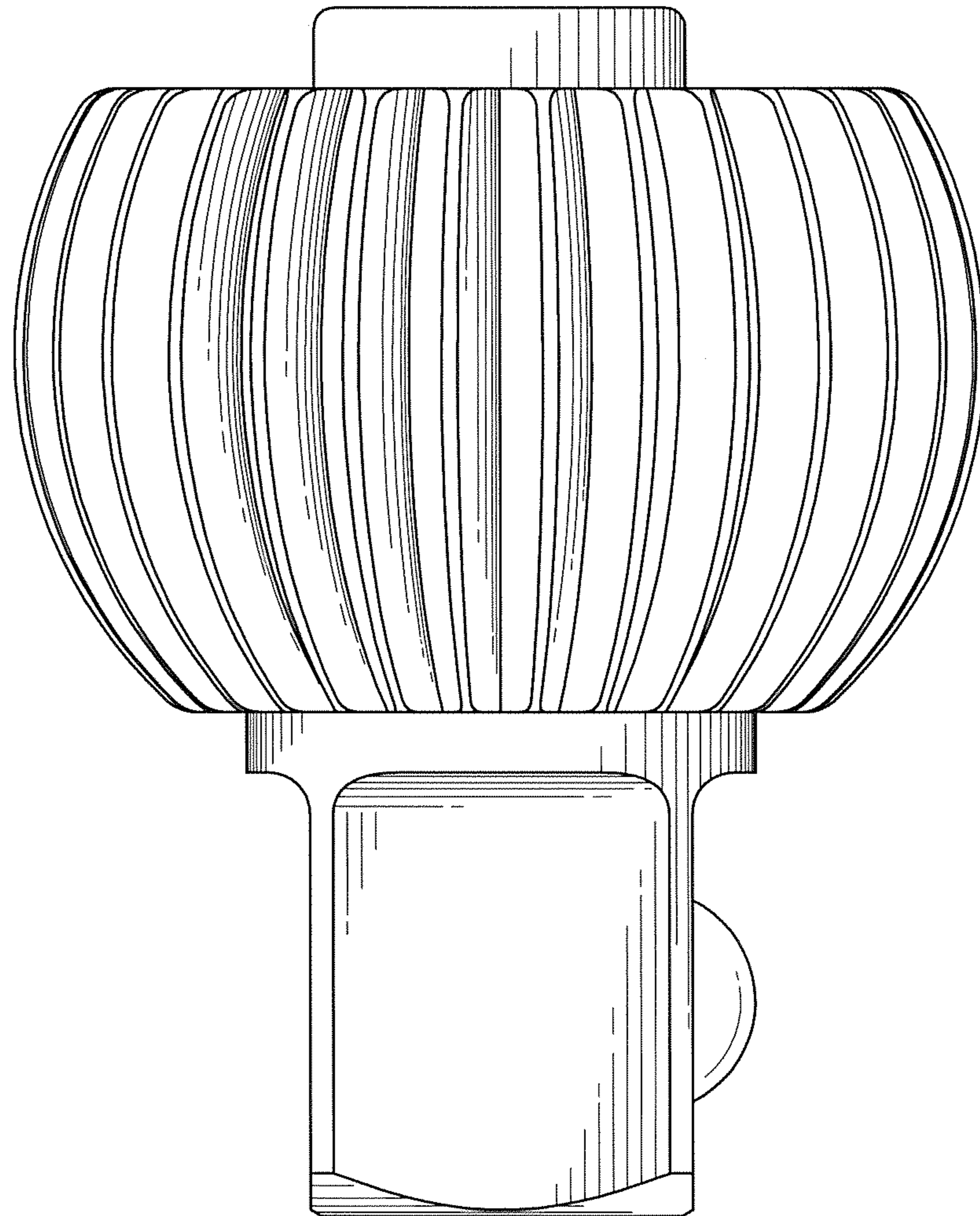


FIG. 4

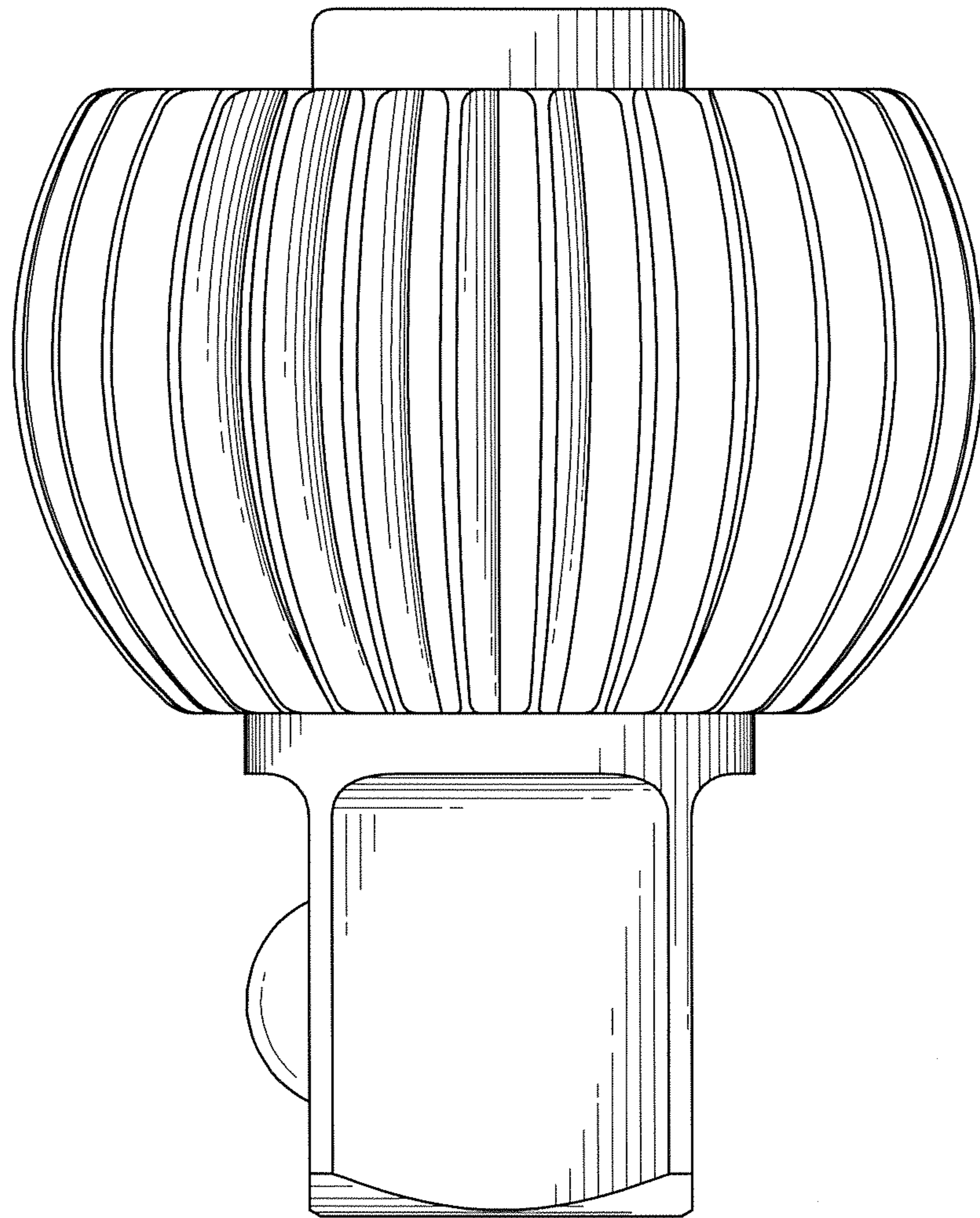


FIG. 5

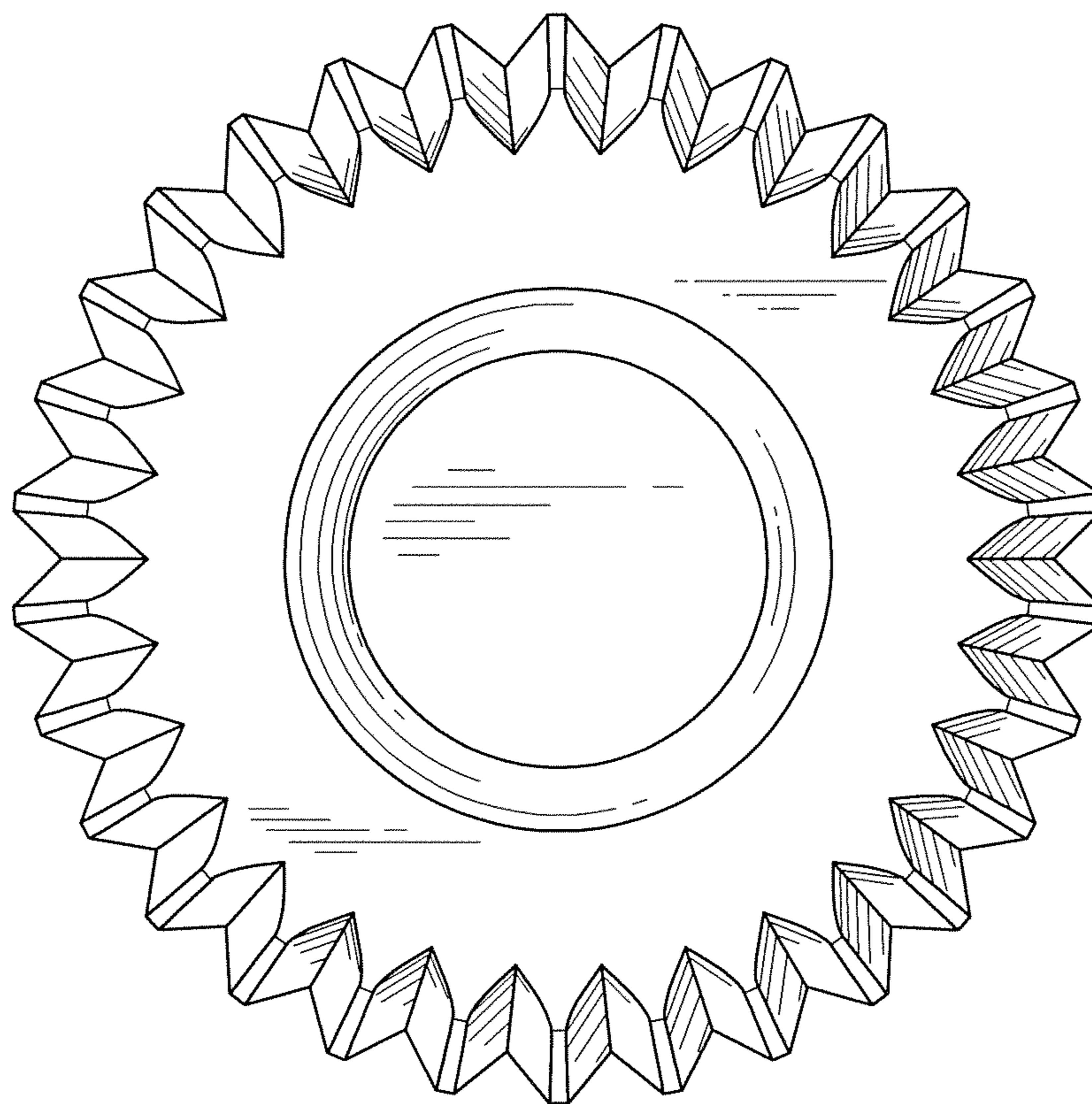


FIG. 6

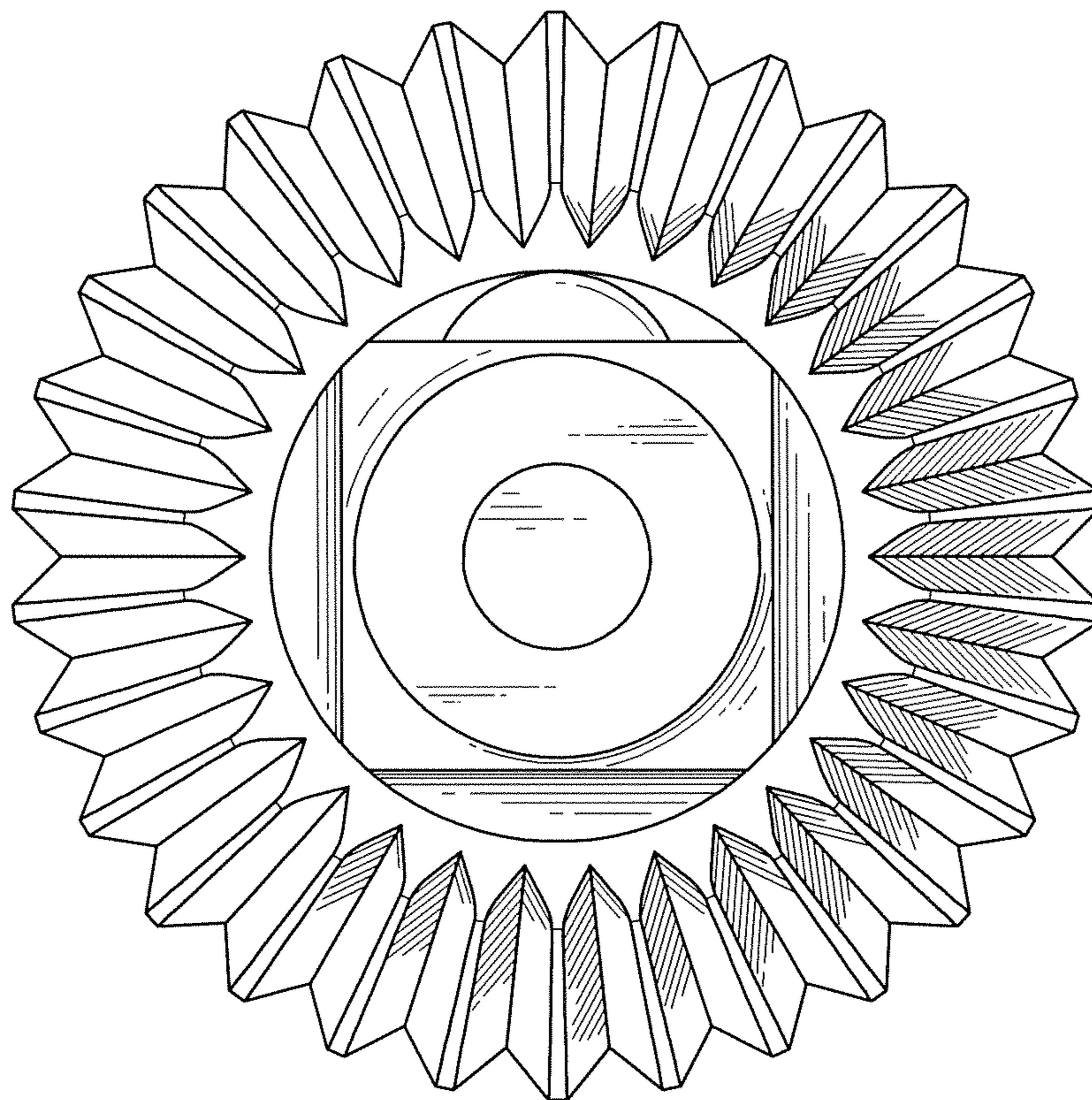


FIG. 7

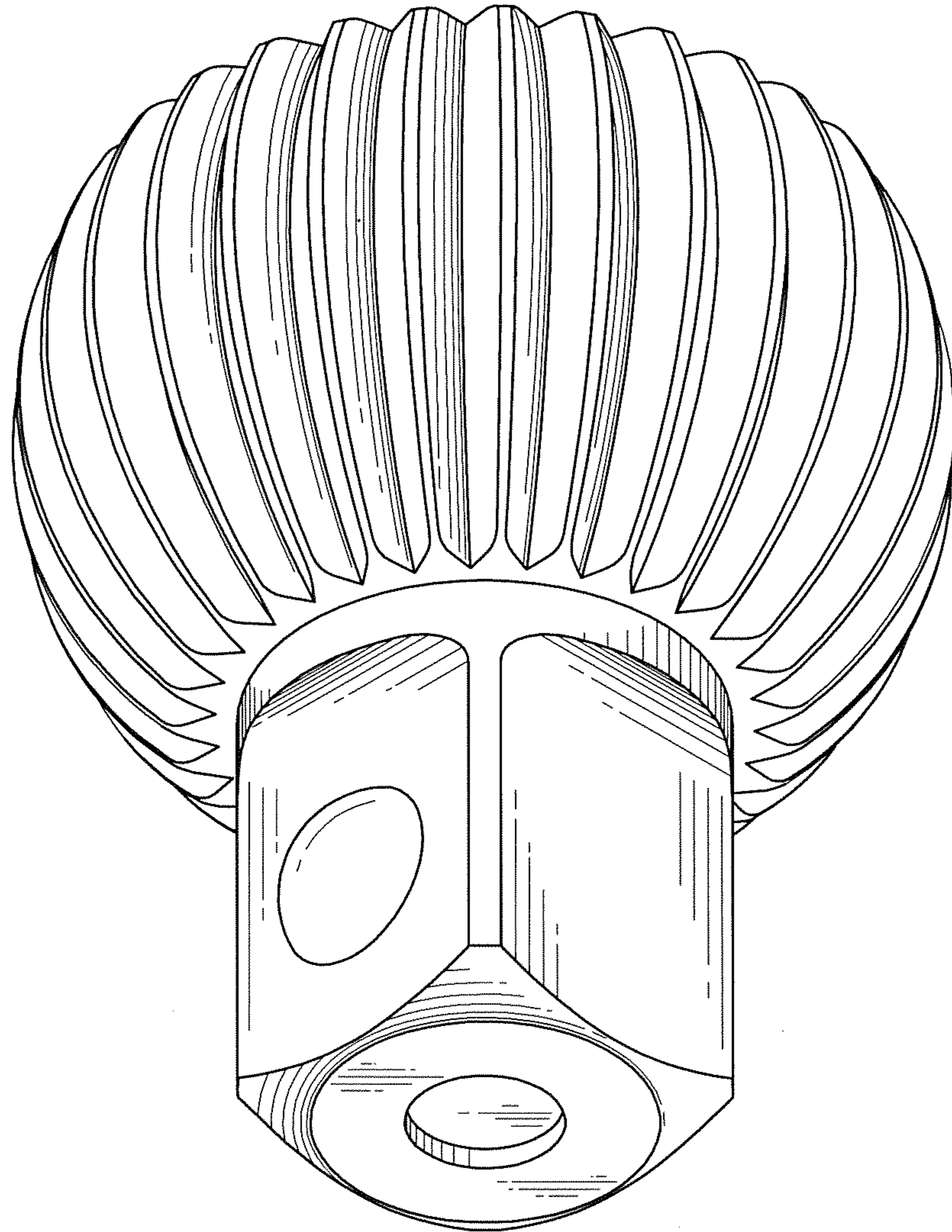


FIG. 8