



US00D701097S

(12) **United States Design Patent**
Petruzzelli et al.

(10) **Patent No.:** **US D701,097 S**
(45) **Date of Patent:** **** Mar. 18, 2014**

- (54) **RAKE**
- (71) Applicants: **Rocco Petruzzelli**, Pearl River, NY (US); **Gregg Feigelson**, Chester, NY (US)
- (72) Inventors: **Rocco Petruzzelli**, Pearl River, NY (US); **Gregg Feigelson**, Chester, NY (US)
- (73) Assignee: **Innovative Garden Products, LLC**, Pearl River, NY (US)
- (**) Term: **14 Years**

D384,865	S	10/1997	Baran	
D391,814	S *	3/1998	Lindsey	D8/13
5,901,540	A	5/1999	Vella	
6,120,073	A	9/2000	Jones	
6,336,314	B1	1/2002	Crevier	
6,502,381	B2	1/2003	Crites	
6,886,319	B2	5/2005	Nam	
D506,112	S	6/2005	Roberson	
6,901,733	B2	6/2005	DeSanti	
6,904,743	B2	6/2005	Vodinh	
D509,415	S *	9/2005	Crites et al.	D8/13
D517,876	S *	3/2006	DeWinter et al.	D8/13
7,168,230	B1	1/2007	Waddell	
7,363,755	B1	4/2008	Caneba	
7,661,258	B1	2/2010	Petruzzelli	
2005/0016153	A1	1/2005	Baker	
2007/0084178	A1	4/2007	Stevens	

- (21) Appl. No.: **29/440,639**
- (22) Filed: **Dec. 24, 2012**
- (51) **LOC (10) Cl.** **08-01**
- (52) **U.S. Cl.**
USPC **D8/13**
- (58) **Field of Classification Search**
USPC D8/1, 10, 13; 56/400.01, 400.04, 56/400.07, 400.16, 400.12, 400.17, 400.21
See application file for complete search history.

(56) **References Cited**

U.S. PATENT DOCUMENTS

10,956	A	5/1854	Beach	
3,688,484	A *	9/1972	Cox et al.	56/400.12
3,692,347	A	9/1972	Bixler	
4,018,038	A *	4/1977	Sipe	56/400.12
4,037,397	A	7/1977	Fiorentino	
4,292,794	A	10/1981	Gascon	
4,477,114	A	10/1984	Callis et al.	
4,545,189	A	10/1985	Nelson	
4,744,208	A *	5/1988	King	56/400.16
D296,510	S *	7/1988	Cohen	D8/13
4,991,386	A *	2/1991	Dirksen	56/400.12
4,996,834	A	3/1991	Geist	
5,114,199	A	5/1992	Newcomer	
D359,207	S *	6/1995	Meiller	D8/13
5,459,988	A	10/1995	Glaser	
5,564,266	A	10/1996	Laughlin	
5,564,267	A *	10/1996	Bricker et al.	56/400.12

OTHER PUBLICATIONS

Miscellaneous Devices#1 #3 Obtained from Web Search, Admitted Prior Art, Brands Unknown.

* cited by examiner

Primary Examiner — Sheryl Lane

(74) *Attorney, Agent, or Firm* — Michael E. Zall

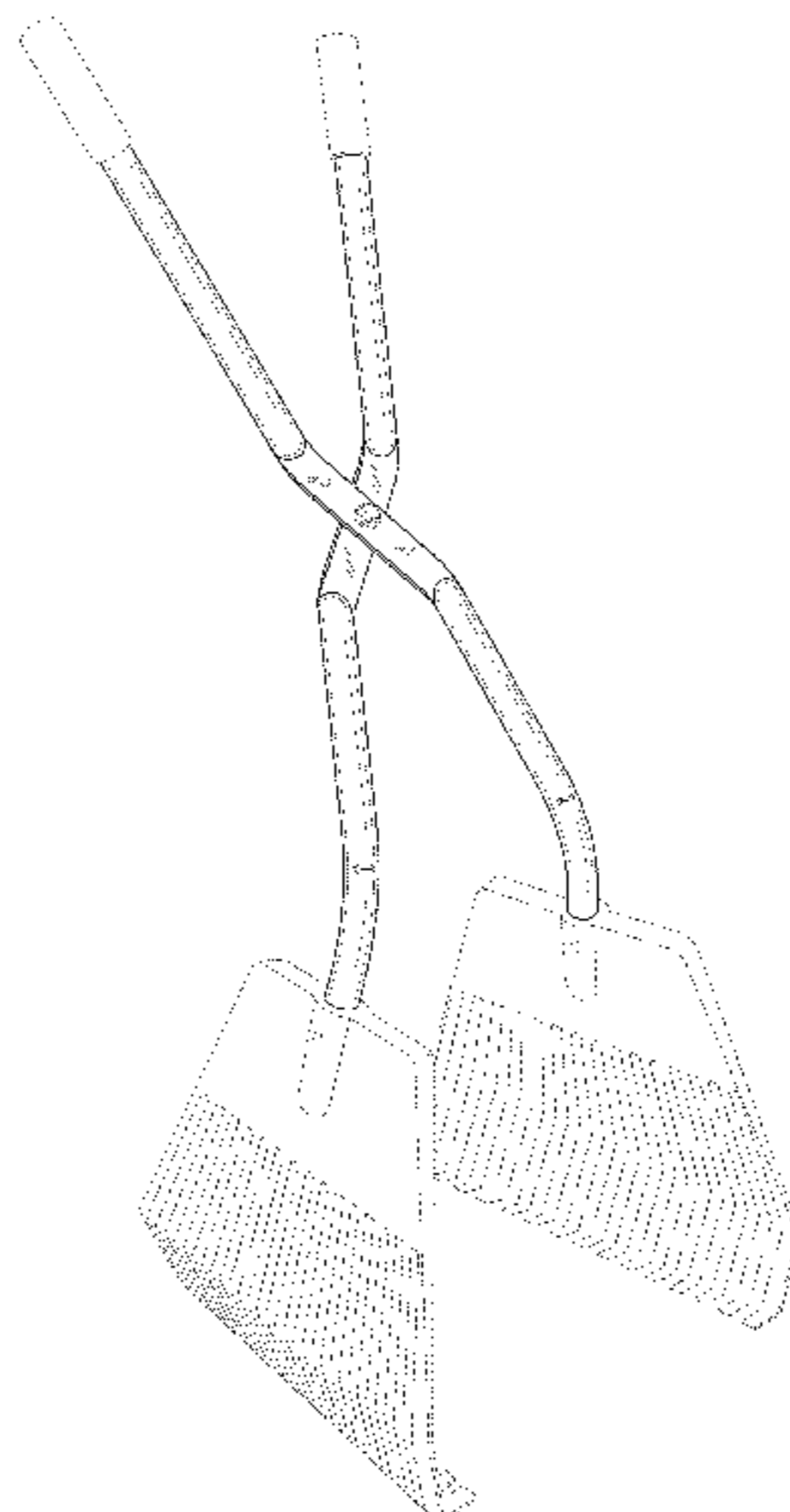
(57) **CLAIM**

We claim the ornamental design for a rake, as shown and described.

DESCRIPTION

FIG. 1 is a front perspective environmental view of a new design of a rake.
 FIG. 2 is a front view thereof;
 FIG. 3 is a left side view thereof;
 FIG. 4 is a rear view thereof;
 FIG. 5 is a right side view of thereof;
 FIG. 6 is a top view thereof;
 FIG. 7 is a bottom view thereof; and,
 FIG. 8 is a side environmental view thereof.
 The broken lines in the figures depict environmental subject matter only and forms no part of the claimed design.

1 Claim, 5 Drawing Sheets



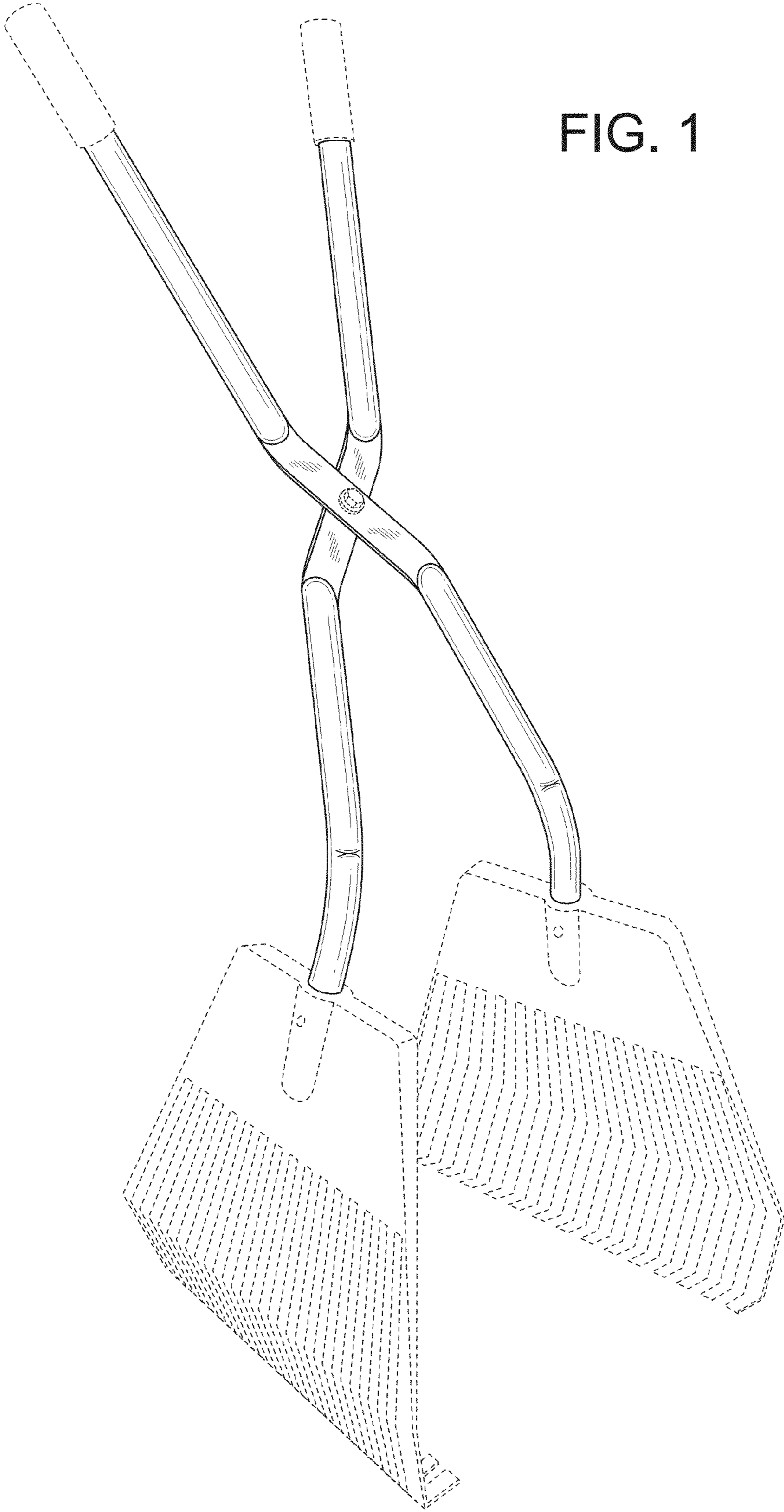


FIG. 1

FIG. 2

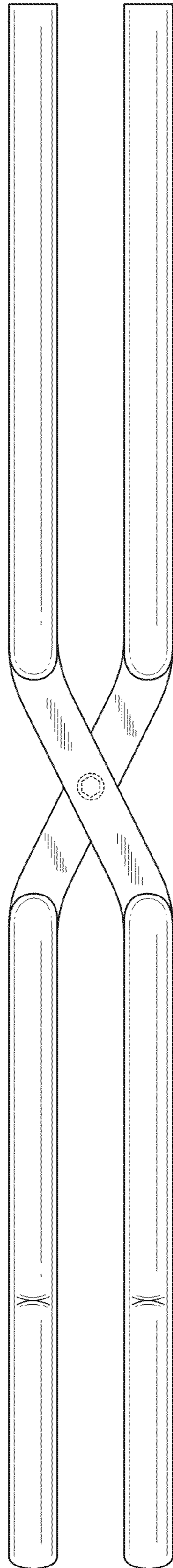


FIG. 3

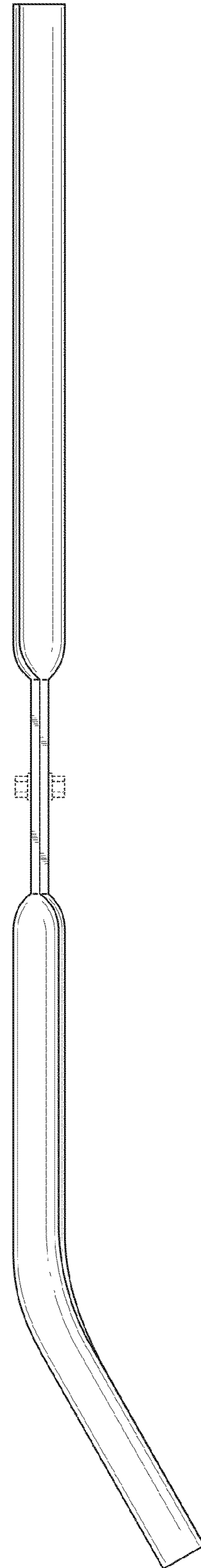


FIG. 4

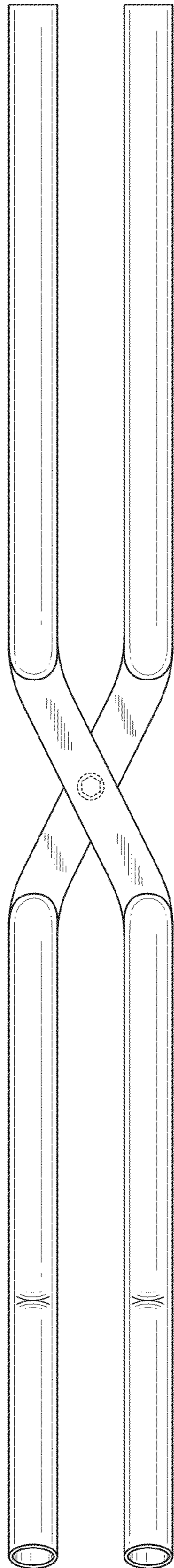


FIG. 5

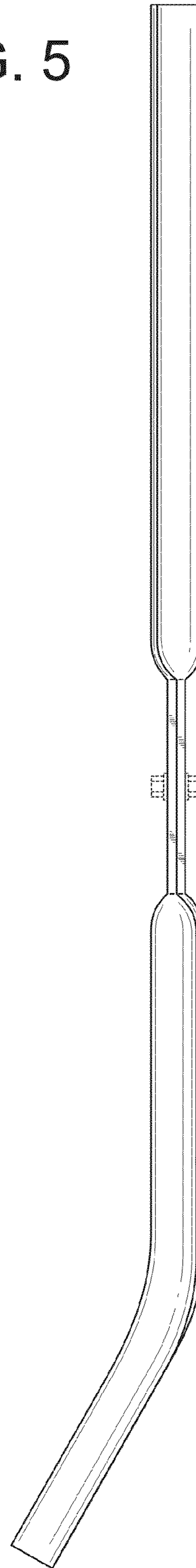


FIG. 6

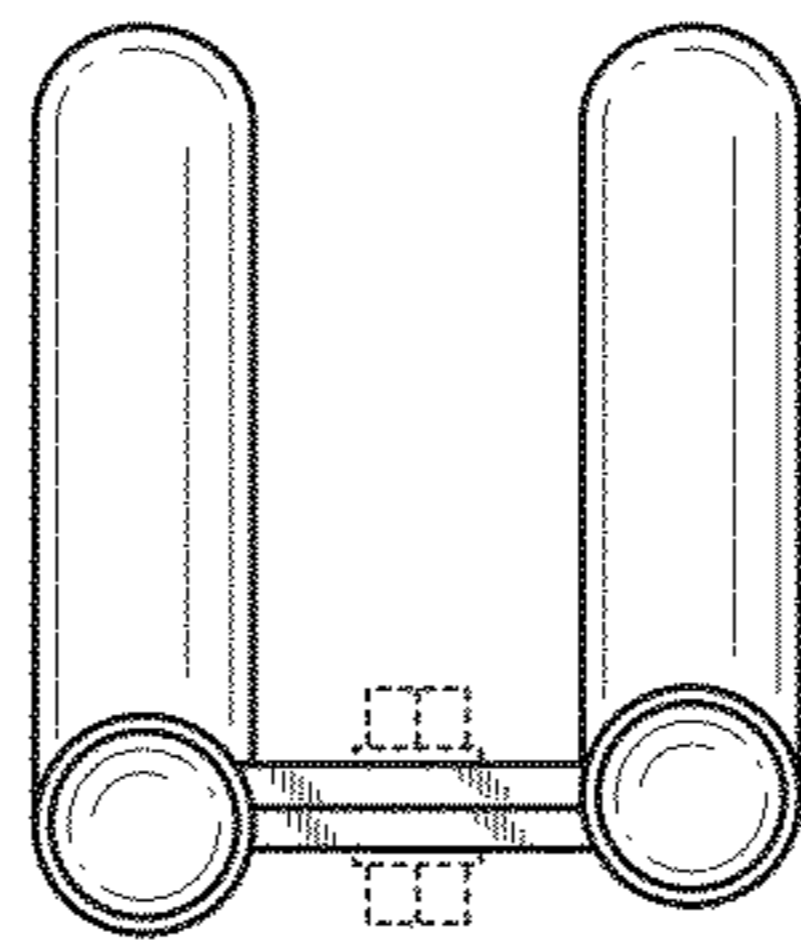


FIG. 7

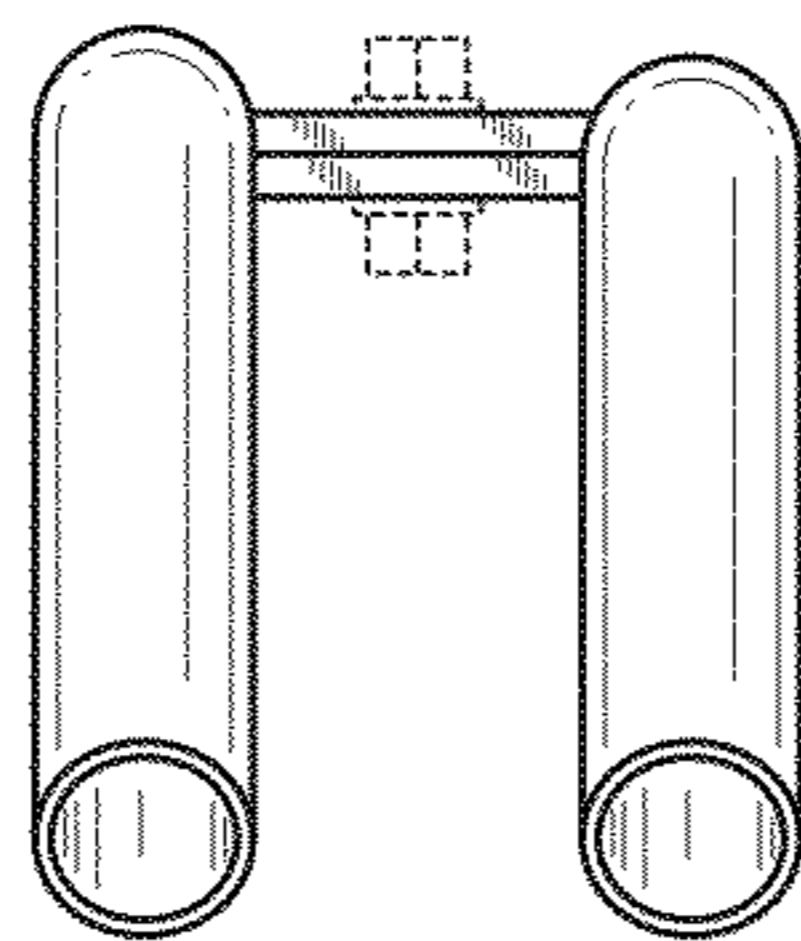


FIG. 8

