



US00D701095S

(12) **United States Design Patent**
Arvan

(10) **Patent No.:** **US D701,095 S**
(45) **Date of Patent:** **** Mar. 18, 2014**

(54) **CUTTING BOARD**

(71) Applicant: **Thomas Dean Arvan**, Franklin, OH
(US)

(72) Inventor: **Thomas Dean Arvan**, Franklin, OH
(US)

(**) Term: **14 Years**

(21) Appl. No.: **29/448,935**

(22) Filed: **Mar. 14, 2013**

(51) **LOC (10) Cl.** **07-04**

(52) **U.S. Cl.**
USPC **D7/698**

(58) **Field of Classification Search**

USPC D6/583; D7/354, 357-360, 368, 388,
D7/392.1, 396.1, 409, 412, 505, 549,
D7/550.1, 552.1-552.2, 553.1, 553.5,
D7/553.8, 554.3-554.4, 555, 586, 637,
D7/673, 698-699; D23/393; D32/55;
76/88; 99/324, 357, 425, 446-450;
126/41 R, 332; 219/450.1; 269/13-16,
269/54.5, 87.2, 289 R, 302.1, 575; 425/218;
600/7

See application file for complete search history.

(56) **References Cited**

U.S. PATENT DOCUMENTS

2,012,520 A * 8/1935 Rogers 99/425
D158,838 S * 6/1950 Caldwell D6/583
D161,596 S * 1/1951 Russ D7/698
2,609,024 A * 9/1952 Russ 269/15
3,736,088 A * 5/1973 Jimenez 425/218
D230,553 S * 3/1974 Terlizzi D7/698
3,797,334 A * 3/1974 Sinclair 76/88
D259,166 S * 5/1981 Krusche D7/549
D271,339 S * 11/1983 Lee D32/55
D281,850 S * 12/1985 Morin D7/698
4,930,491 A * 6/1990 Purello 126/332
4,930,759 A * 6/1990 Potter et al. 269/54.5
D317,849 S * 7/1991 Adams D7/698

5,366,208 A * 11/1994 Benjamin 269/13
D373,054 S * 8/1996 Joergensen D7/698
D381,564 S * 7/1997 Kolada D7/698
D382,776 S * 8/1997 McLeod D7/698
D473,098 S * 4/2003 Wingeier D7/359
6,844,529 B2 * 1/2005 Grohs 219/450.1
D503,066 S * 3/2005 Militi D7/359
D581,207 S * 11/2008 Leavens et al. D7/359
D588,399 S * 3/2009 Vrbaneck D7/359
D654,162 S * 2/2012 Sykes D23/393
D678,010 S * 3/2013 Sudmalis D7/698
2005/0080314 A1 * 4/2005 Terwilliger et al. 600/7
2007/0125357 A1 * 6/2007 Johnston 126/41 R

OTHER PUBLICATIONS

The Pampered Chef, Catalog Spring/Summer 2013 dated Mar. 2013,
3 pages (Item N on p. 33 of catalog).

* cited by examiner

Primary Examiner — Ricky Pham

(74) *Attorney, Agent, or Firm* — Wood, Herron & Evans,
LLP

(57) **CLAIM**

An ornamental design for a cutting board, as shown and
described.

DESCRIPTION

FIG. 1 is a perspective view of a cutting board according to
my new design;

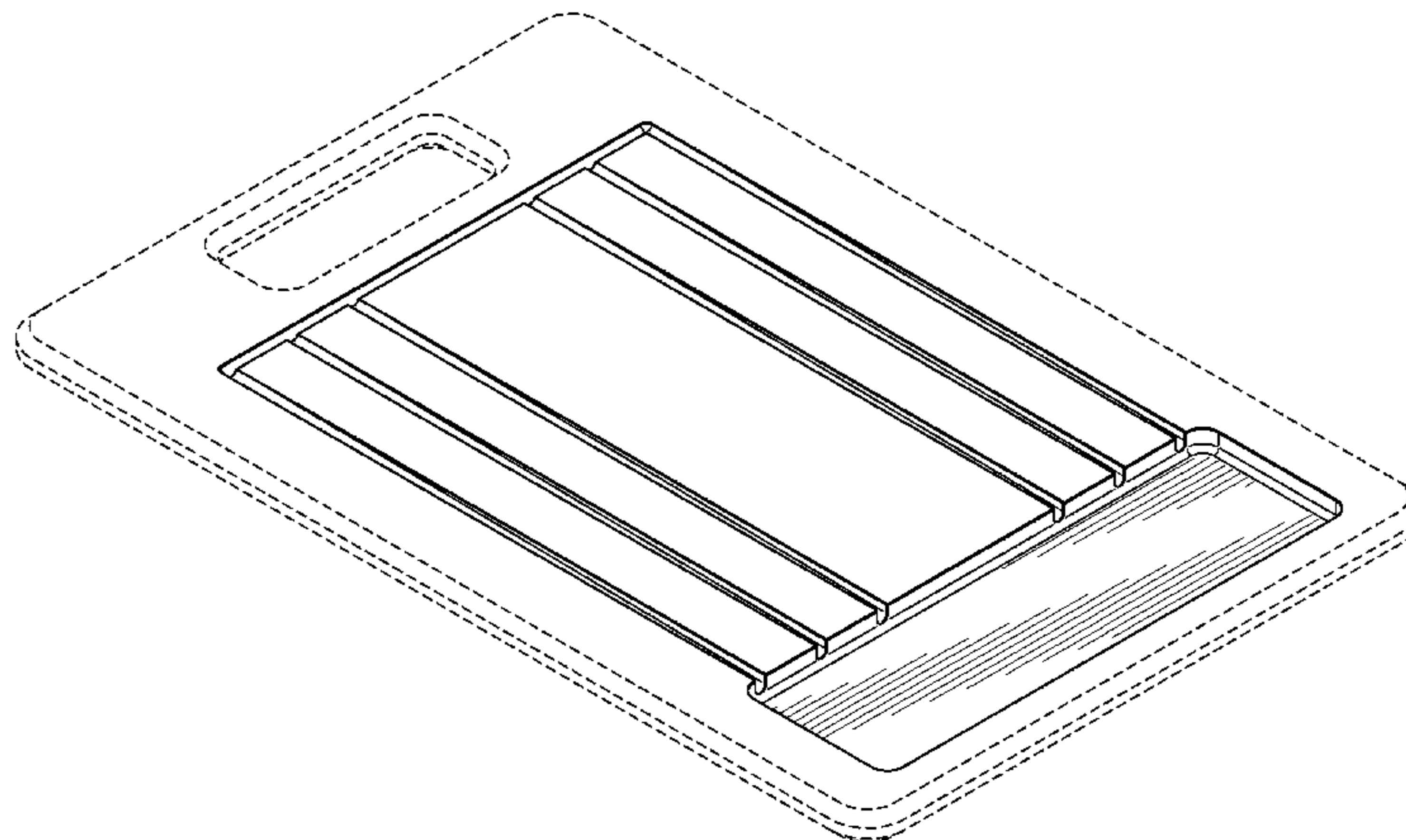
FIG. 2 is a top view thereof;

FIG. 3 is a cross-sectional view thereof, taken along line 3-3
of FIG. 2; and,

FIG. 4 is a cross-sectional view thereof, taken along line 4-4
of FIG. 2.

The broken lines represent environmental elements and form
no part of the claimed design. The height-to-width-to-depth
ratios of the cutting board may vary from the ratios of the
specific embodiments shown in the Figures without departing
from the claimed design.

1 Claim, 3 Drawing Sheets



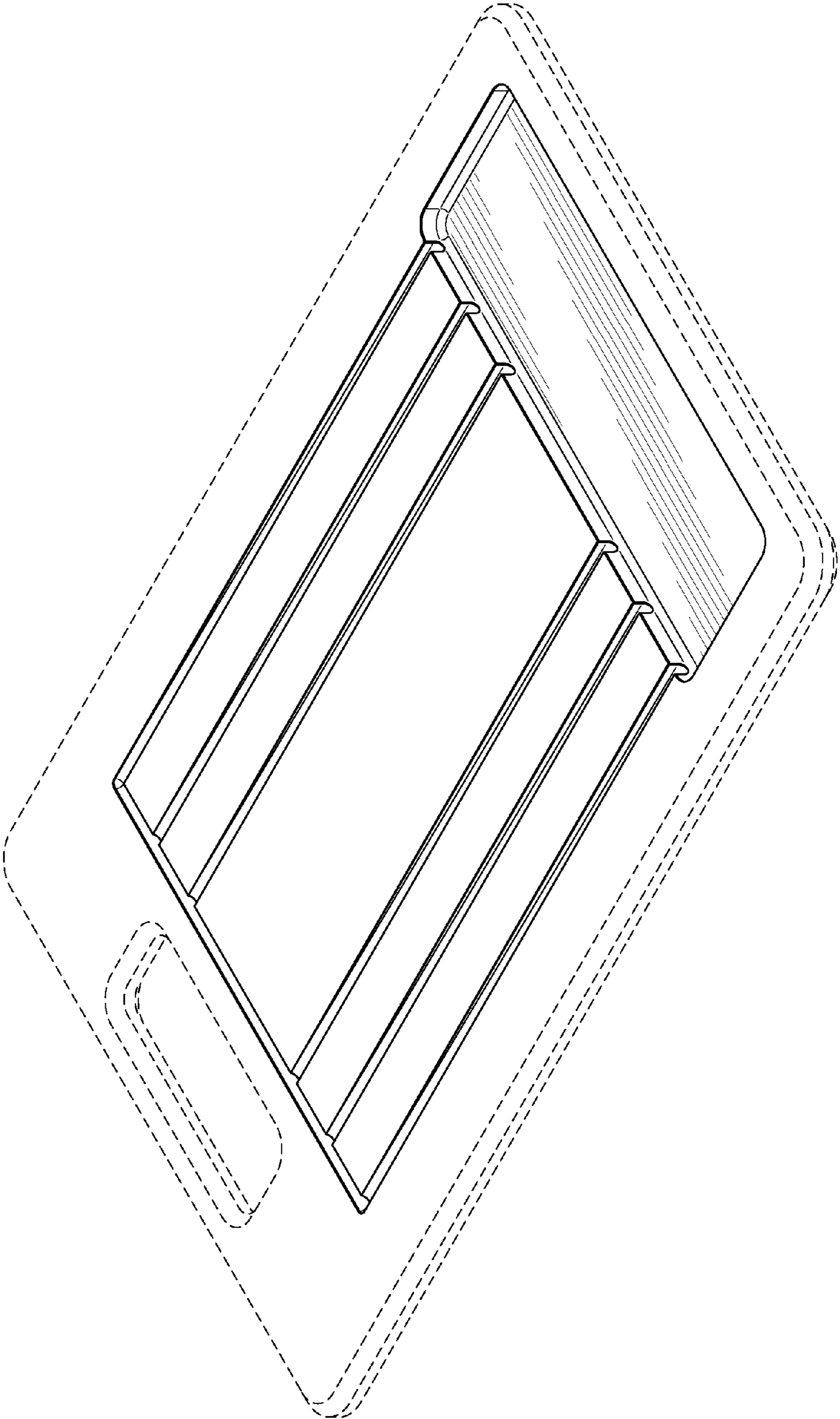


FIG. 1

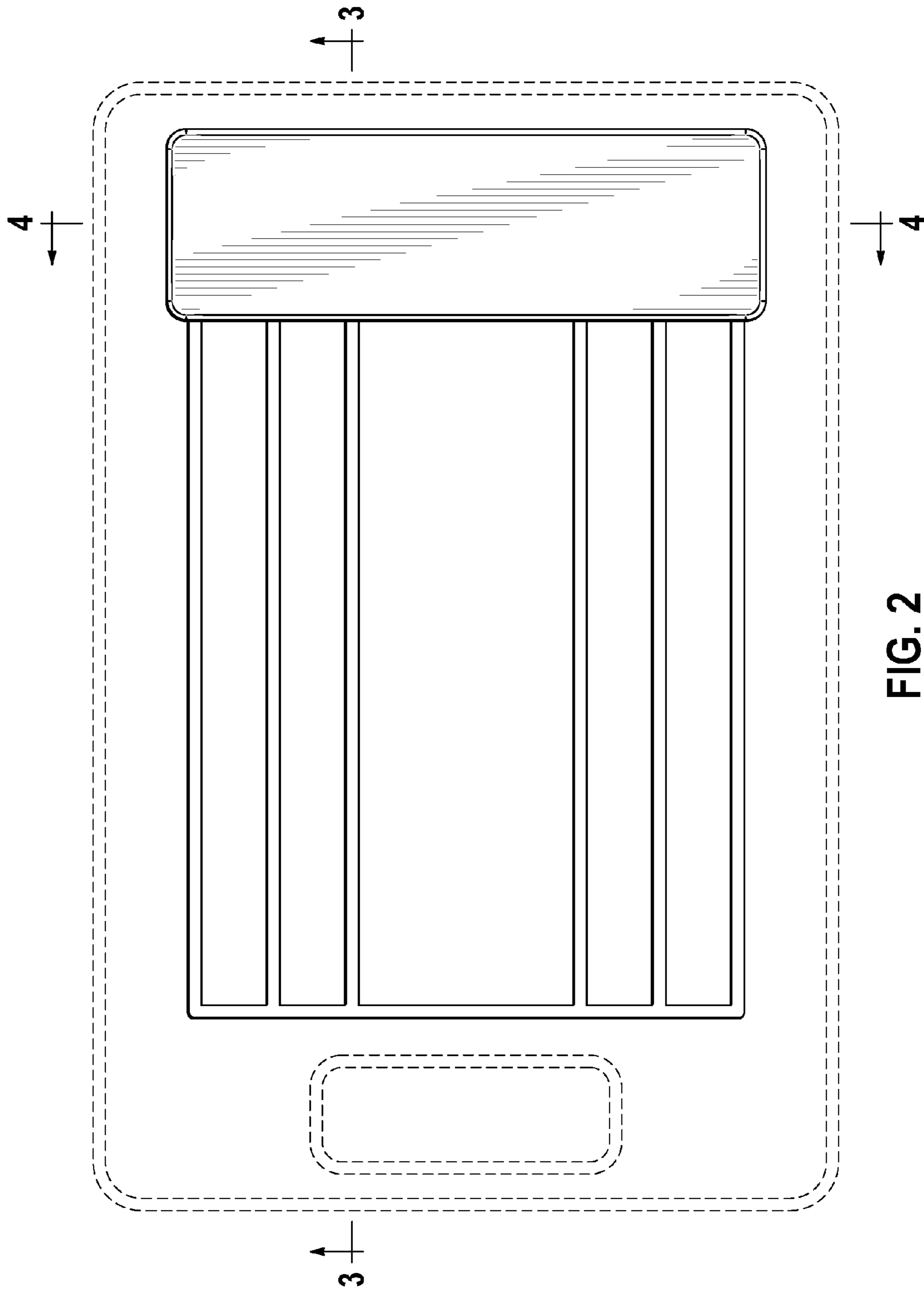


FIG. 2



FIG. 3

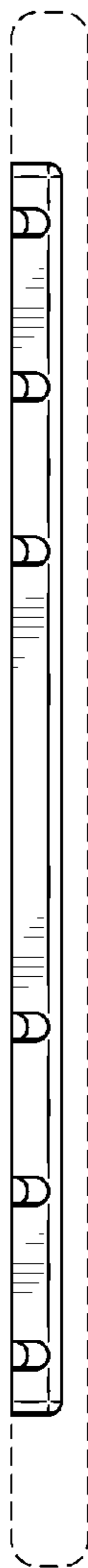


FIG. 4