



US00D701094S

(12) **United States Design Patent**  
**Bradford**

(10) **Patent No.:** **US D701,094 S**  
(45) **Date of Patent:** **\*\* Mar. 18, 2014**

(54) **GARLIC CRUSHER**

(71) Applicant: **Ronway Inc.**, Kerhonkson, NY (US)  
(72) Inventor: **Wayne Bradford**, Kerhonkson, NY (US)  
(73) Assignee: **Ronway Inc.**, Kerhonkson, NY (US)  
(\*\*) Term: **14 Years**

(21) Appl. No.: **29/433,591**

(22) Filed: **Oct. 2, 2012**

(51) **LOC (10) Cl.** ..... **07-04**

(52) **U.S. Cl.**  
USPC ..... **D7/682**; D7/665

(58) **Field of Classification Search**  
USPC ..... D7/665, 666, 697, 682; 15/210;  
99/584-586; 426/483; 492/12-14, 16,  
492/19

See application file for complete search history.

(56) **References Cited**

**U.S. PATENT DOCUMENTS**

D276,583 S	*	12/1984	Jaccard	.....	D7/682
D276,685 S	*	12/1984	Jaccard	.....	D7/682
D287,922 S	*	1/1987	Bremer	.....	D7/669
D539,620 S		4/2007	Hans		
D567,863 S		4/2008	Mandel		
D598,719 S	*	8/2009	Zemel	.....	D7/682
D628,860 S		12/2010	Reay		

**OTHER PUBLICATIONS**

Joseph Joseph; Garlic Rocker; <http://www.uncommongoods.com/product/garlic-rocker>.  
Kellie; Hidden Health Benefits of Garlic and Onions; <http://therightnutritionplan.com/2011/06/hidden-health-benefits-of-garlic-and-onions>.  
Knobi-Roller RoyalVKB; Garlic Crusher; <http://www.youtube.com/watch?v=l6Cpm9--fx4>.

\* cited by examiner

*Primary Examiner* — Terry Wallace

(74) *Attorney, Agent, or Firm* — Notaro, Michalos & Zaccaria P.C.

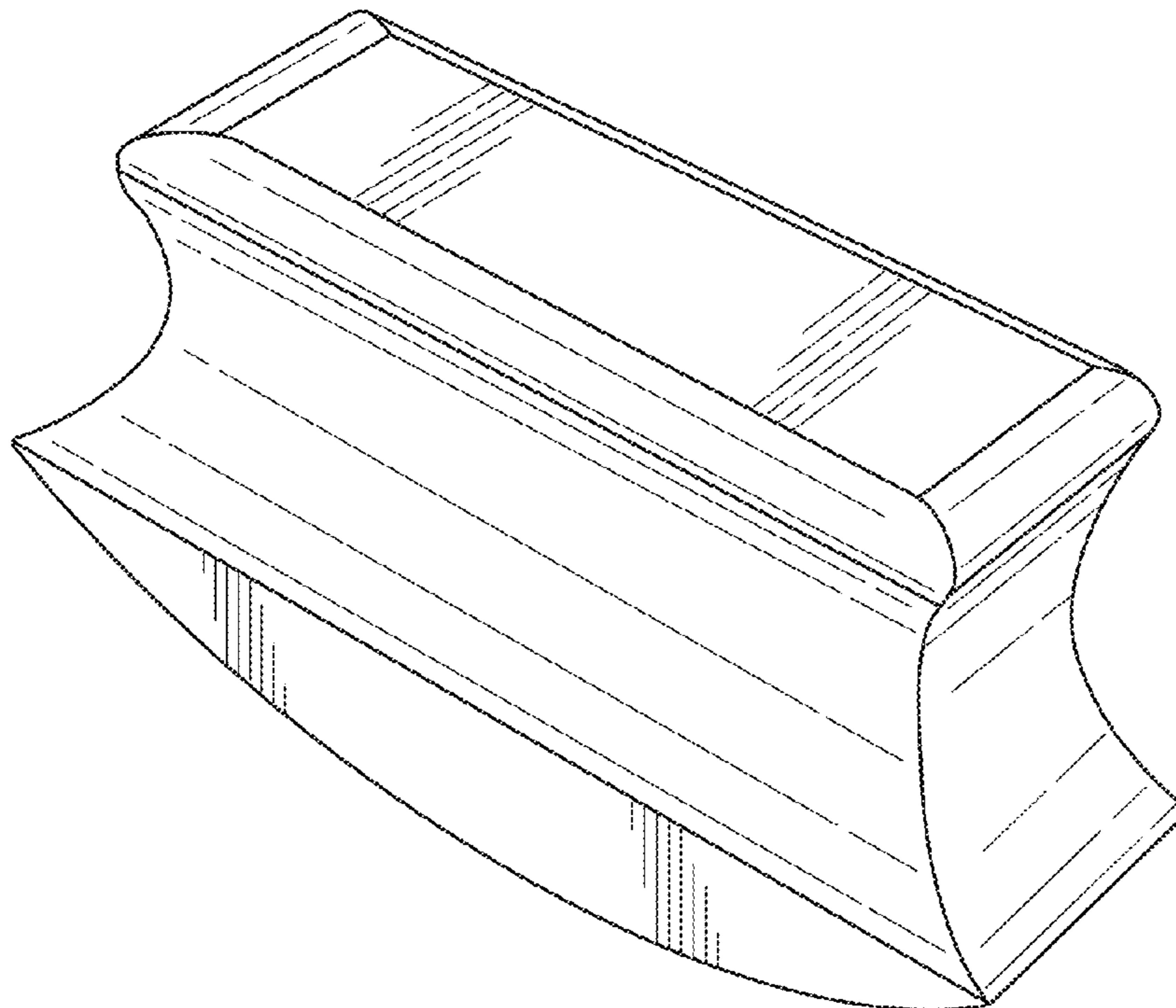
(57) **CLAIM**

The ornamental design for a garlic crusher, as shown and described.

**DESCRIPTION**

FIG. 1 is a front, top side perspective view of a garlic crusher showing my new design therefor;  
FIG. 2 is a front elevational view thereof, the rear view being identical;  
FIG. 3 is a side elevational view thereof, the opposite side being identical;  
FIG. 4 is a top plan view thereof; and,  
FIG. 5 is a bottom plan view thereof.

**1 Claim, 3 Drawing Sheets**



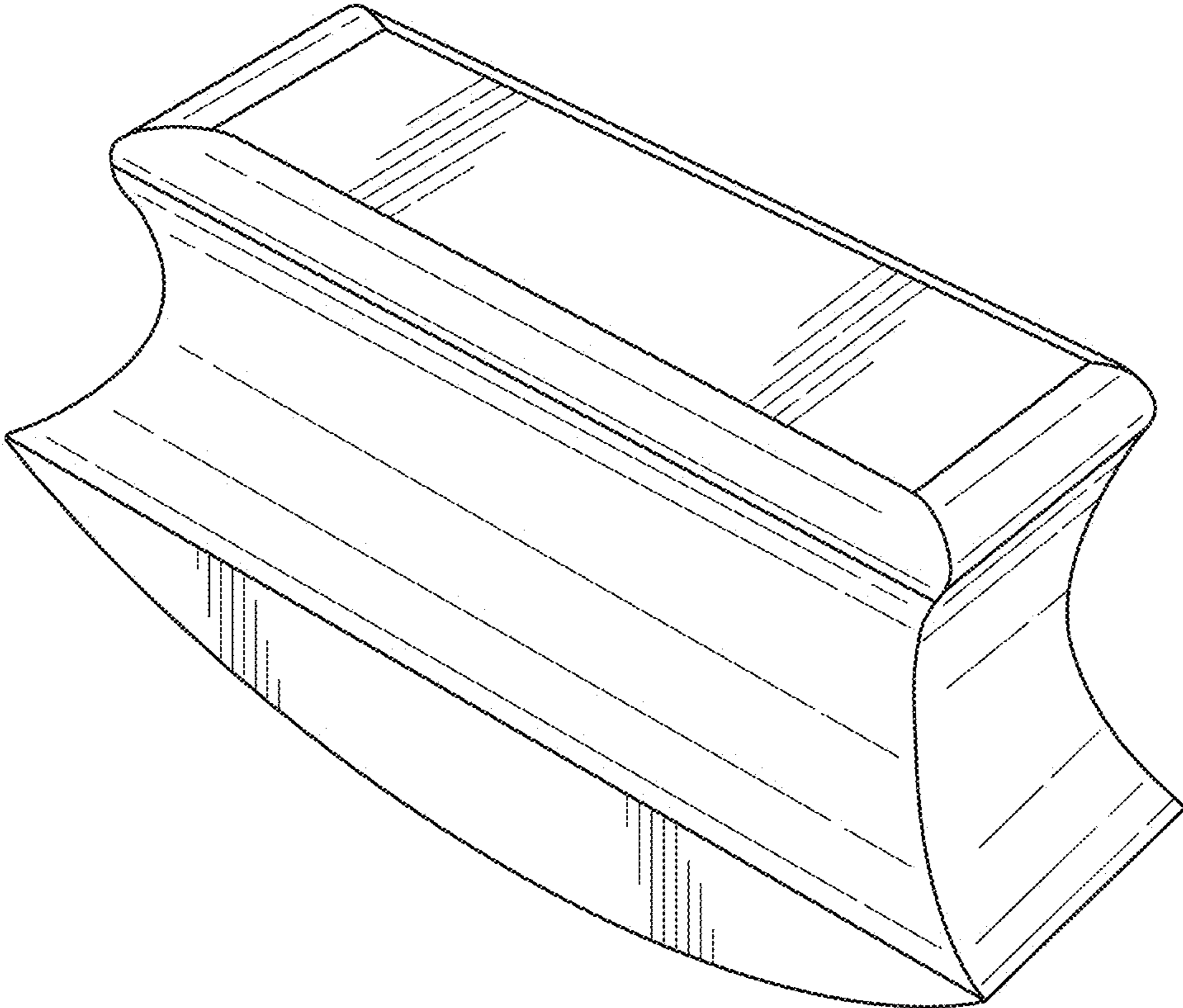


FIG. 1

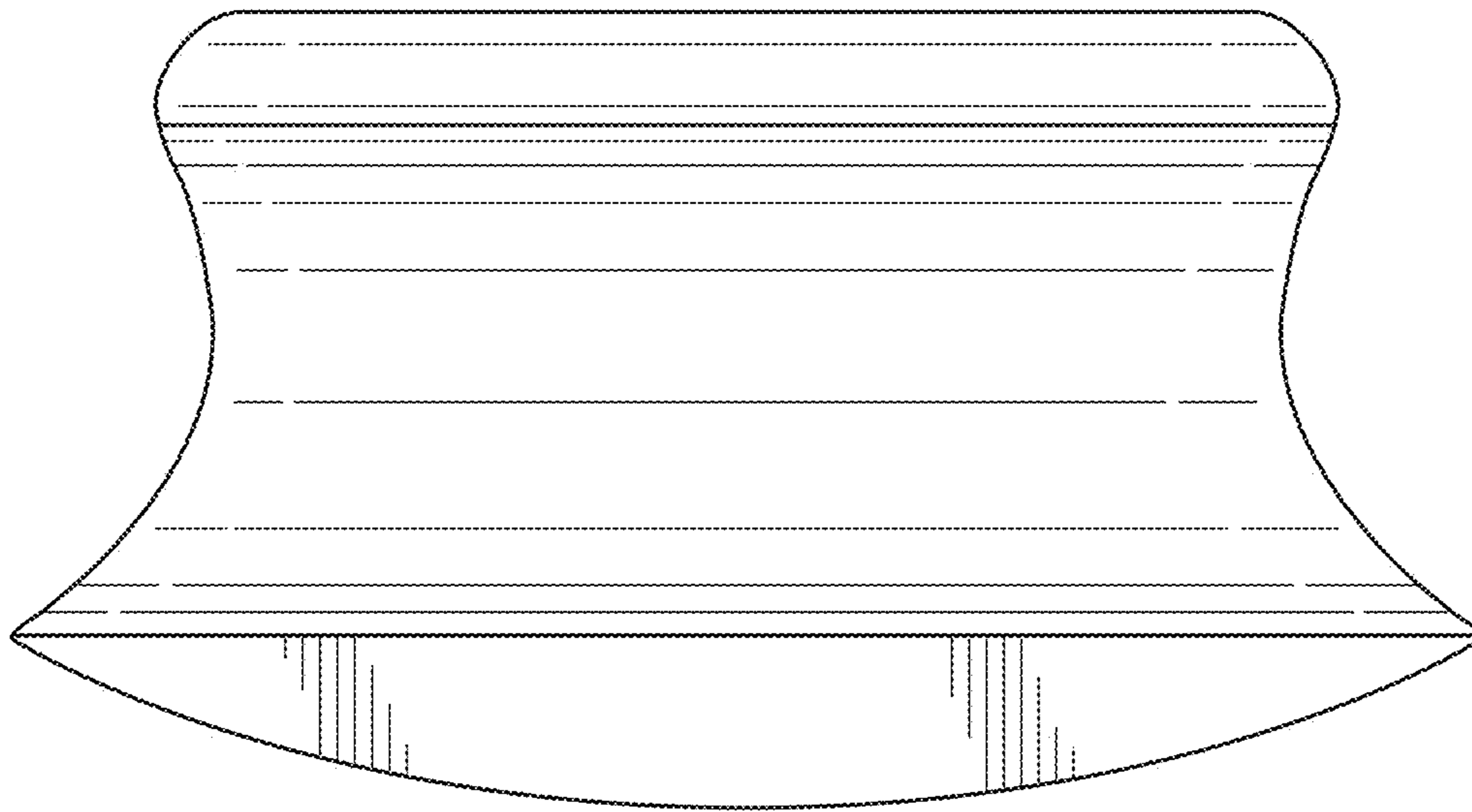


FIG. 2

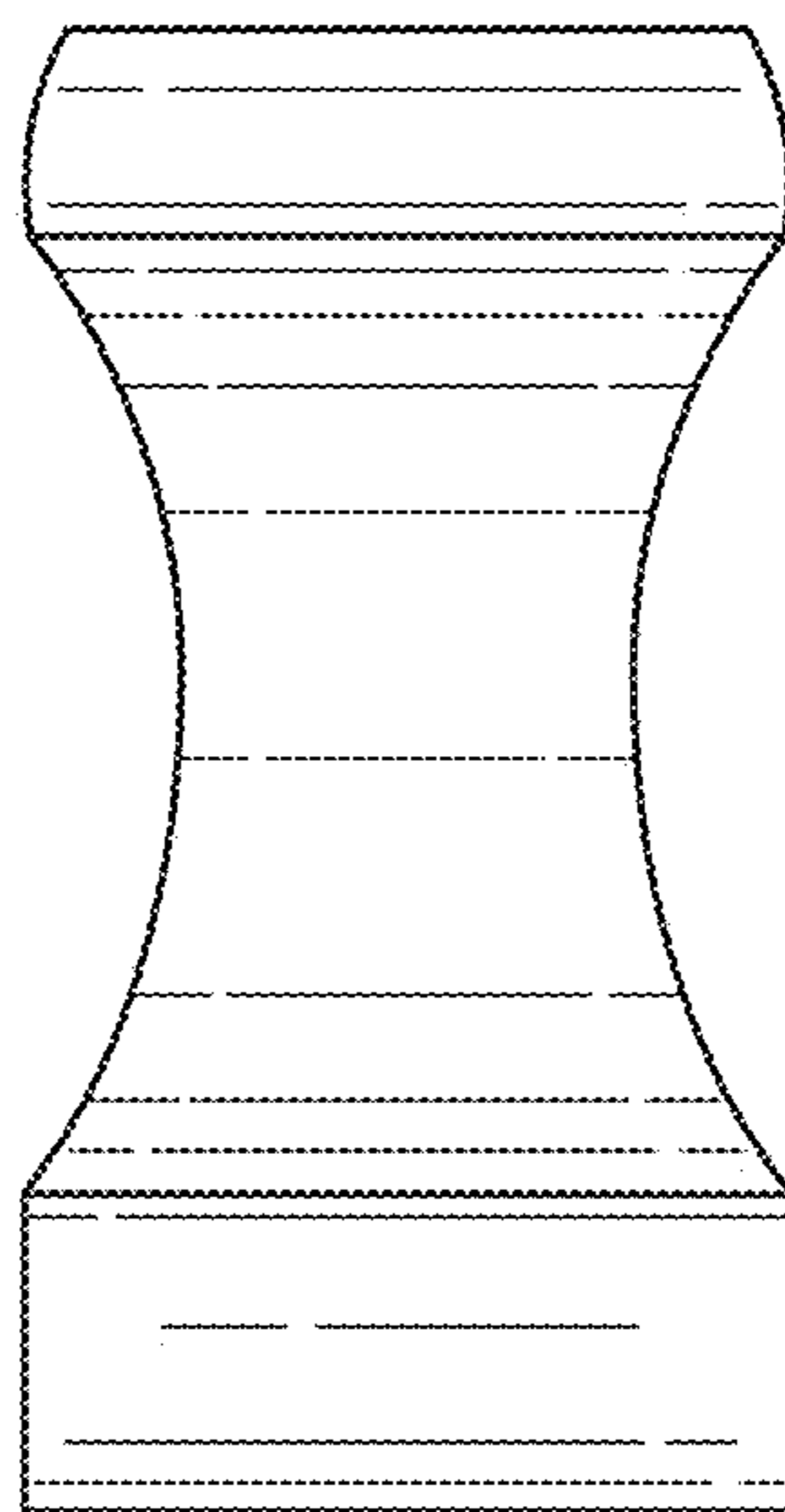


FIG. 3



FIG. 4

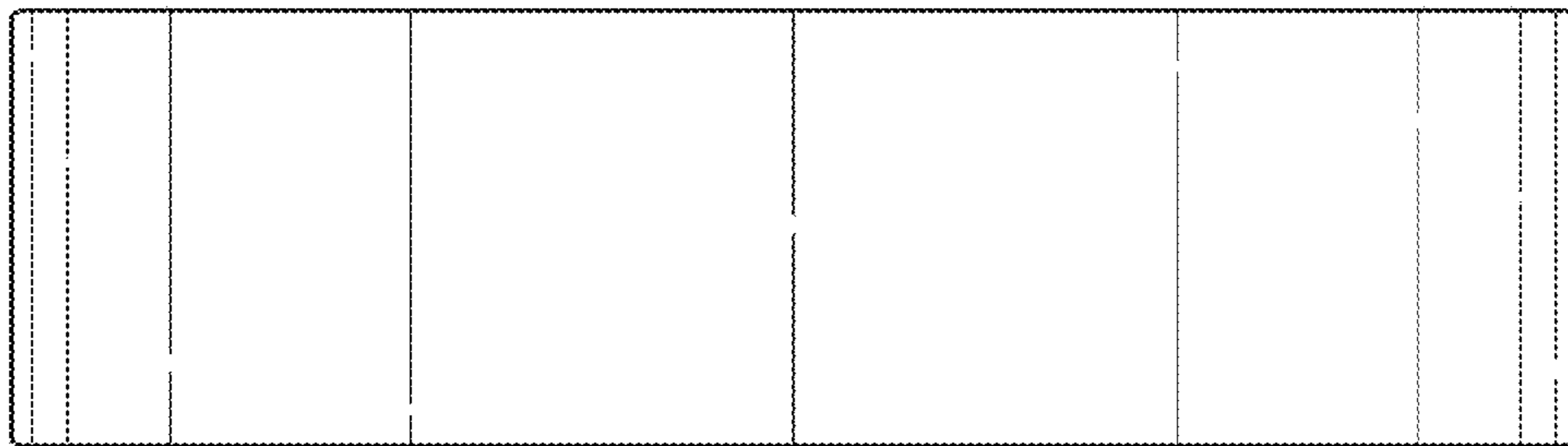


FIG. 5