

US00D701092S

(12) **United States Design Patent**  
**Olguin**

(10) **Patent No.:** **US D701,092 S**  
(45) **Date of Patent:** **\*\* Mar. 18, 2014**

(54) **CONTAINER WITH A HANDLE**  
(71) Applicant: **Sidekick Coolers, LLC**, San Diego, CA (US)  
(72) Inventor: **Michael A. Olguin**, New York, NY (US)  
(73) Assignee: **Sidekick Coolers, LLC**, San Diego, CA (US)  
(\*\*) Term: **14 Years**

(21) Appl. No.: **29/455,738**  
(22) Filed: **May 23, 2013**  
(51) **LOC (10) Cl.** ..... **07-01**  
(52) **U.S. Cl.**  
USPC ..... **D7/628; D7/606**  
(58) **Field of Classification Search**  
USPC ..... D7/601, 604, 606, 628; 220/915.1, 220/915.2; 206/457; 280/47.26, 645, 655.1, 280/562, 47.17; 62/457.1-457.9, 371, 372; D34/12, 13  
See application file for complete search history.

(56) **References Cited**  
U.S. PATENT DOCUMENTS  
D231,523 S \* 4/1974 Baker ..... D12/83  
4,566,292 A \* 1/1986 Parmet ..... 62/457.1  
D349,630 S \* 8/1994 Redmon ..... D7/606  
D352,211 S \* 11/1994 Rucks ..... D7/625

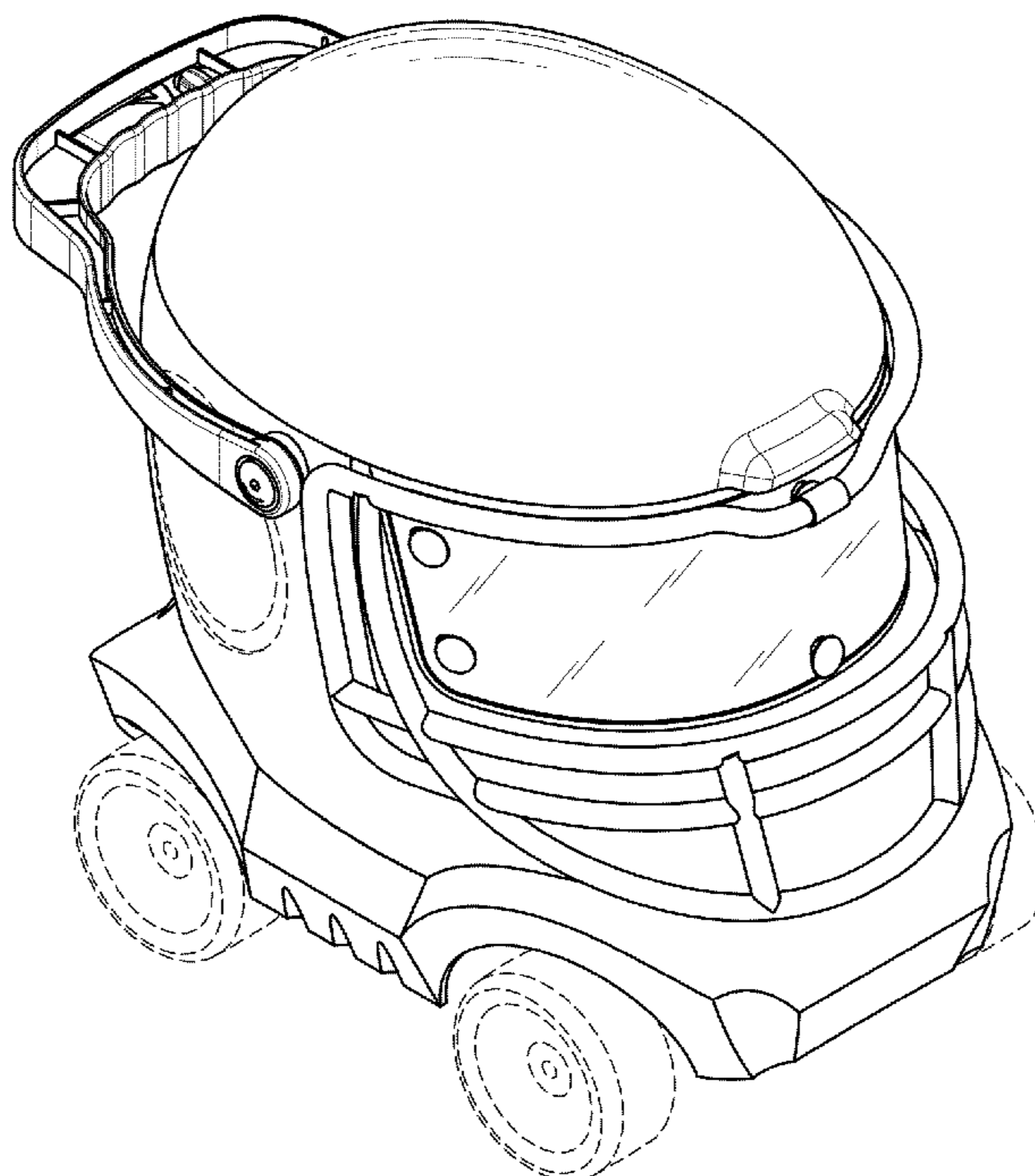
D409,050 S \* 5/1999 Anderson et al. .... D7/606  
D521,322 S \* 5/2006 Loving ..... D7/606  
D613,128 S \* 4/2010 Blakeman ..... D7/606  
2003/0168371 A1 \* 9/2003 Weimer ..... 206/457  
2005/0279123 A1 \* 12/2005 Maldonado et al. .... 62/457.7  
2008/0223862 A1 \* 9/2008 Vanderberg et al. .... 220/592.03

\* cited by examiner  
*Primary Examiner* — Terry Wallace  
(74) *Attorney, Agent, or Firm* — Dergosits & Noah LLP

(57) **CLAIM**  
The ornamental design for a container with a handle, as shown and described.

**DESCRIPTION**  
FIG. 1 is a perspective view of a container with a handle showing my new design in a closed lid position; FIG. 2 is a left side elevational view thereof; FIG. 3 is right side elevational view thereof; FIG. 4 is a front elevational view thereof; FIG. 5 is a rear elevational view thereof; FIG. 6 is a top plan view thereof; FIG. 7 is a bottom plan view thereof; and, FIG. 8 is a left side elevational view thereof in an open-lid position.  
The broken lines shown are included for the purpose of illustrating environment and form no part of the claimed design.

**1 Claim, 8 Drawing Sheets**



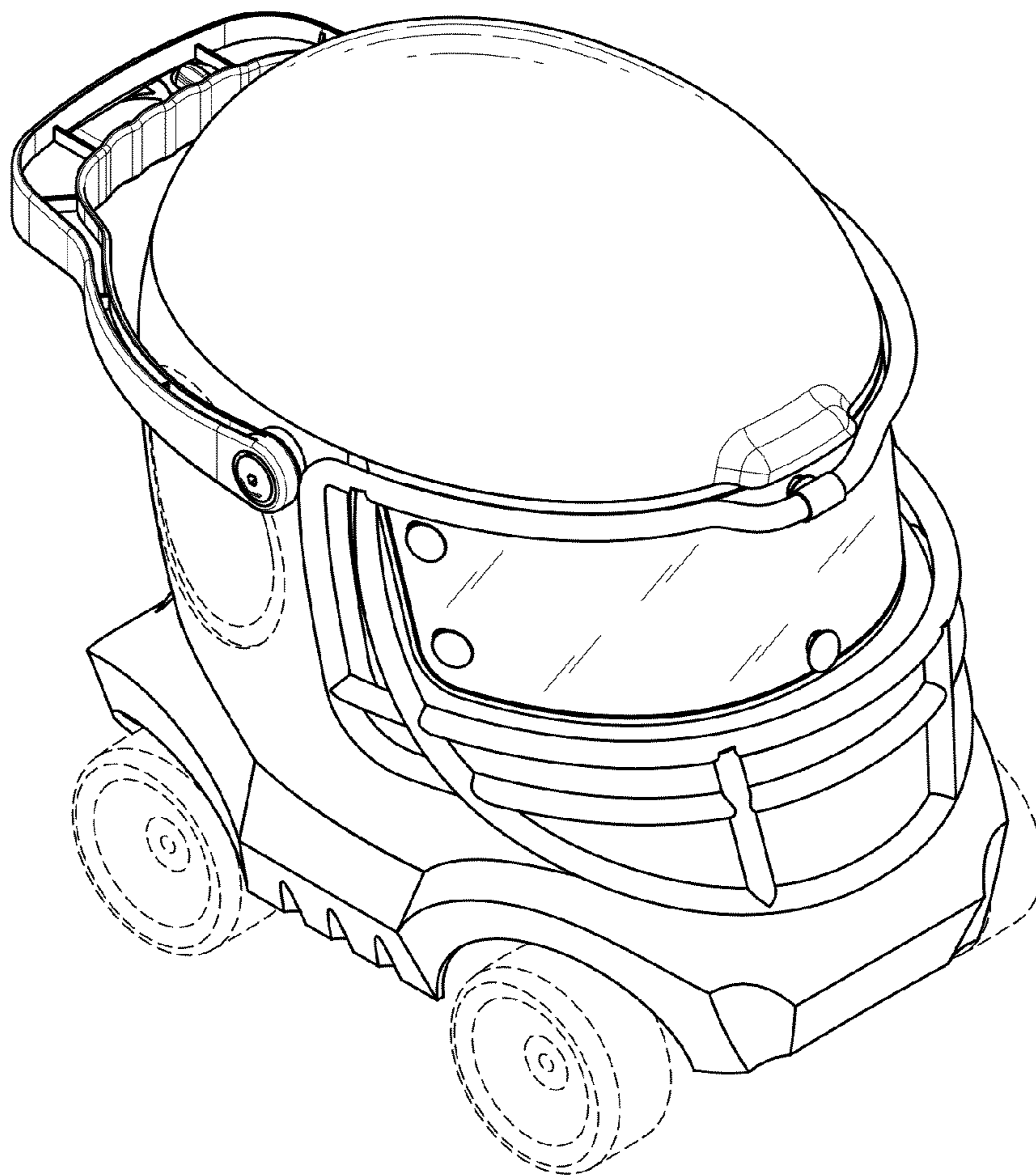


FIG. 1

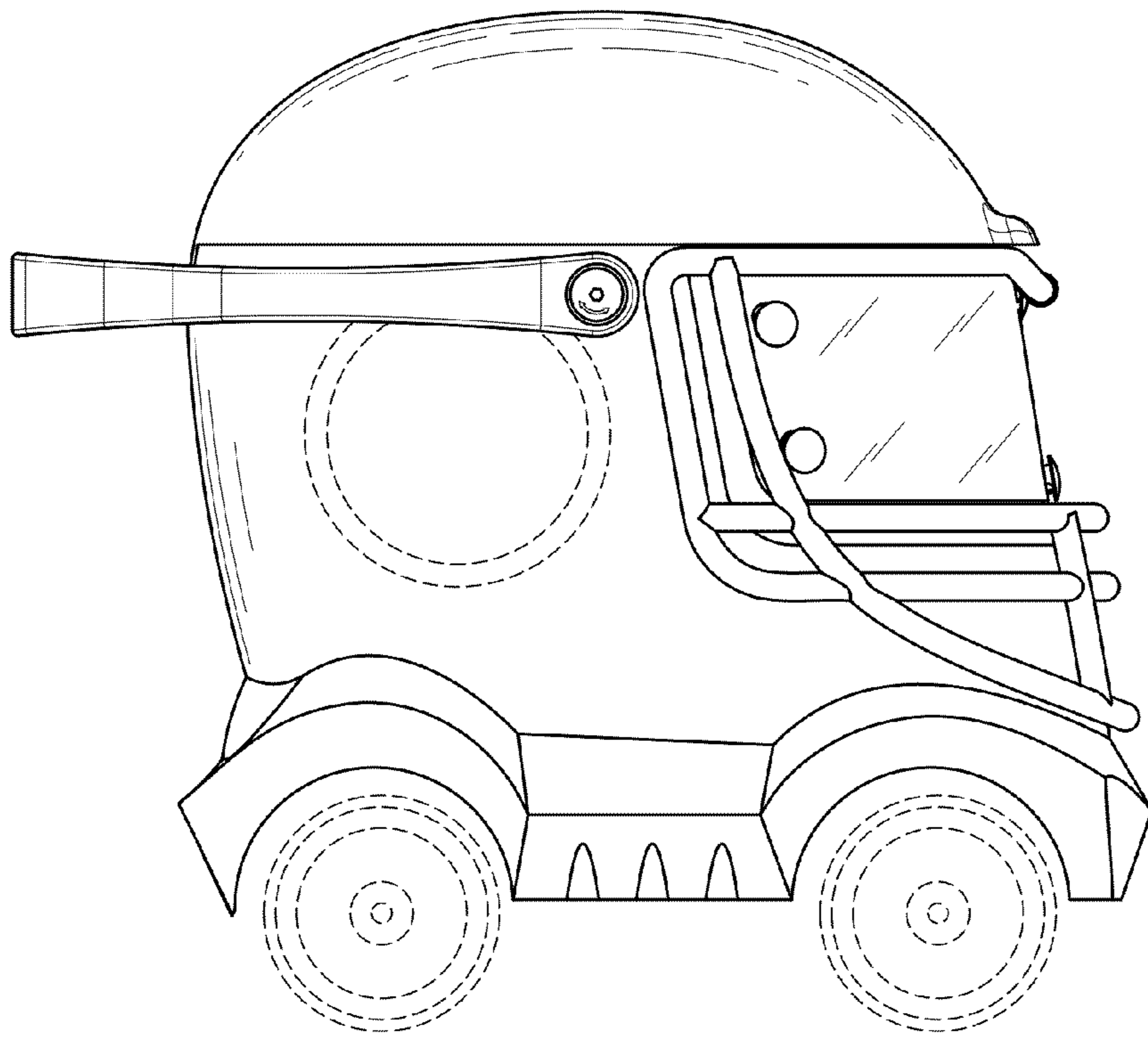


FIG. 2

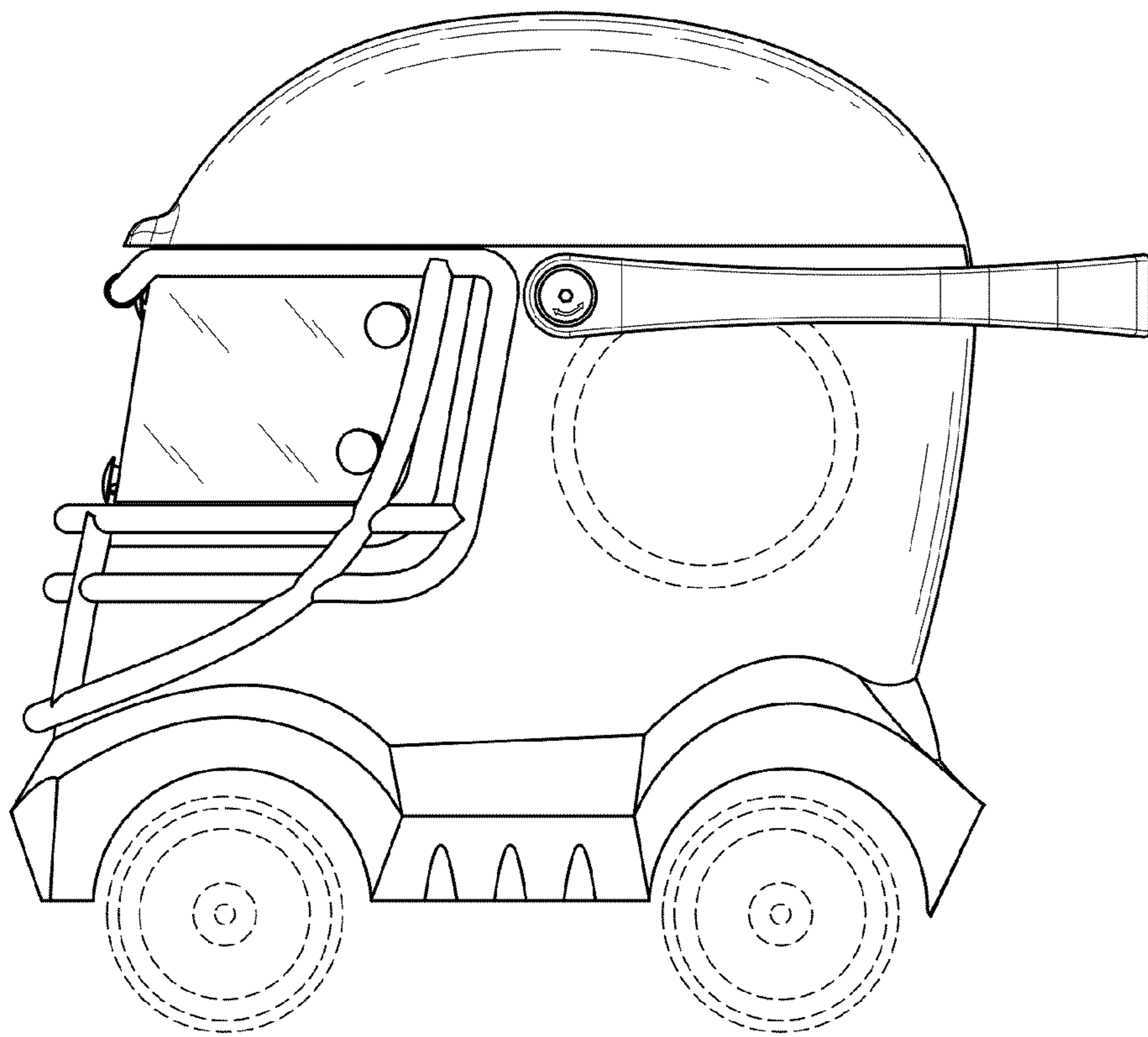


FIG. 3

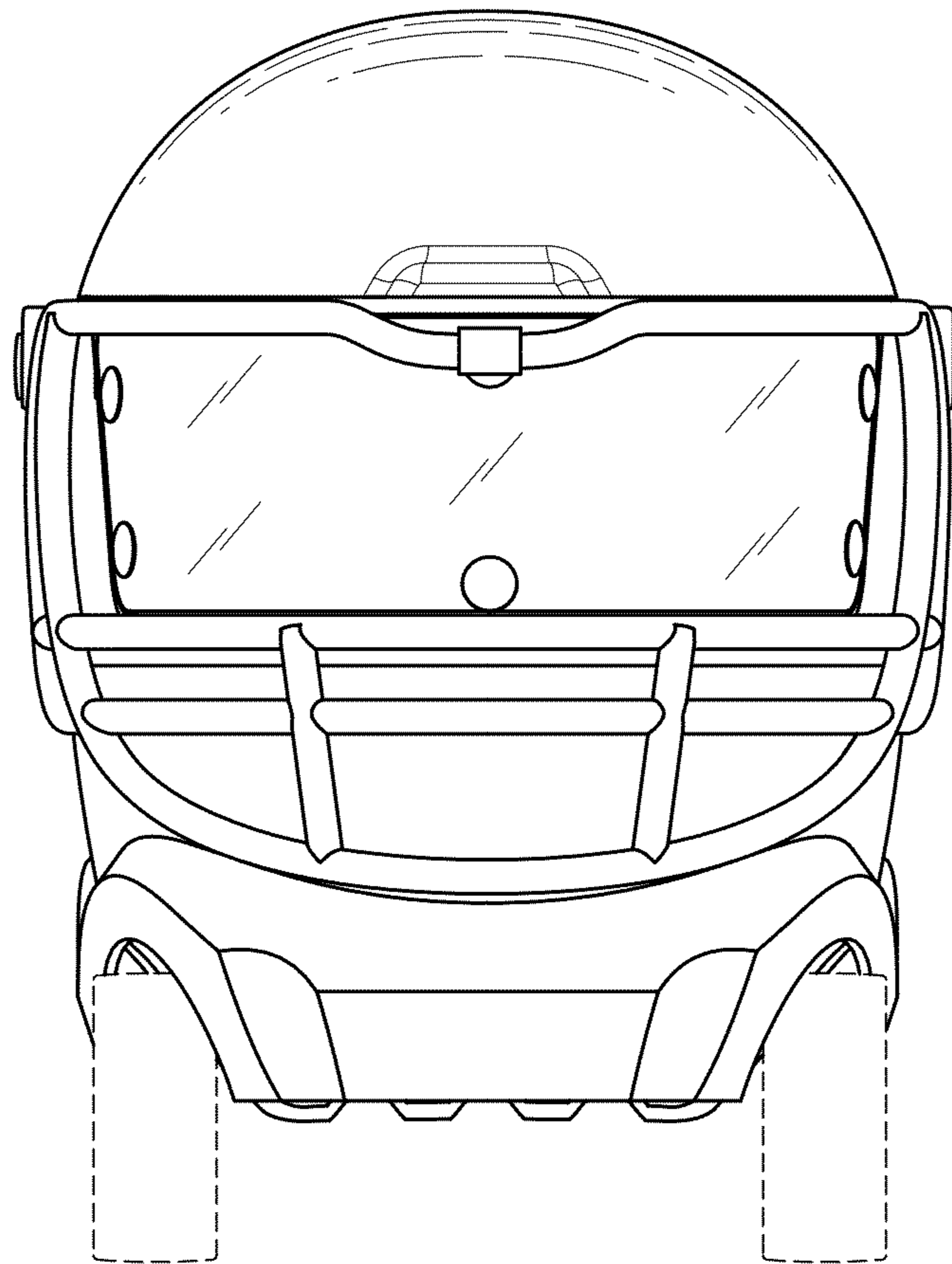


FIG. 4

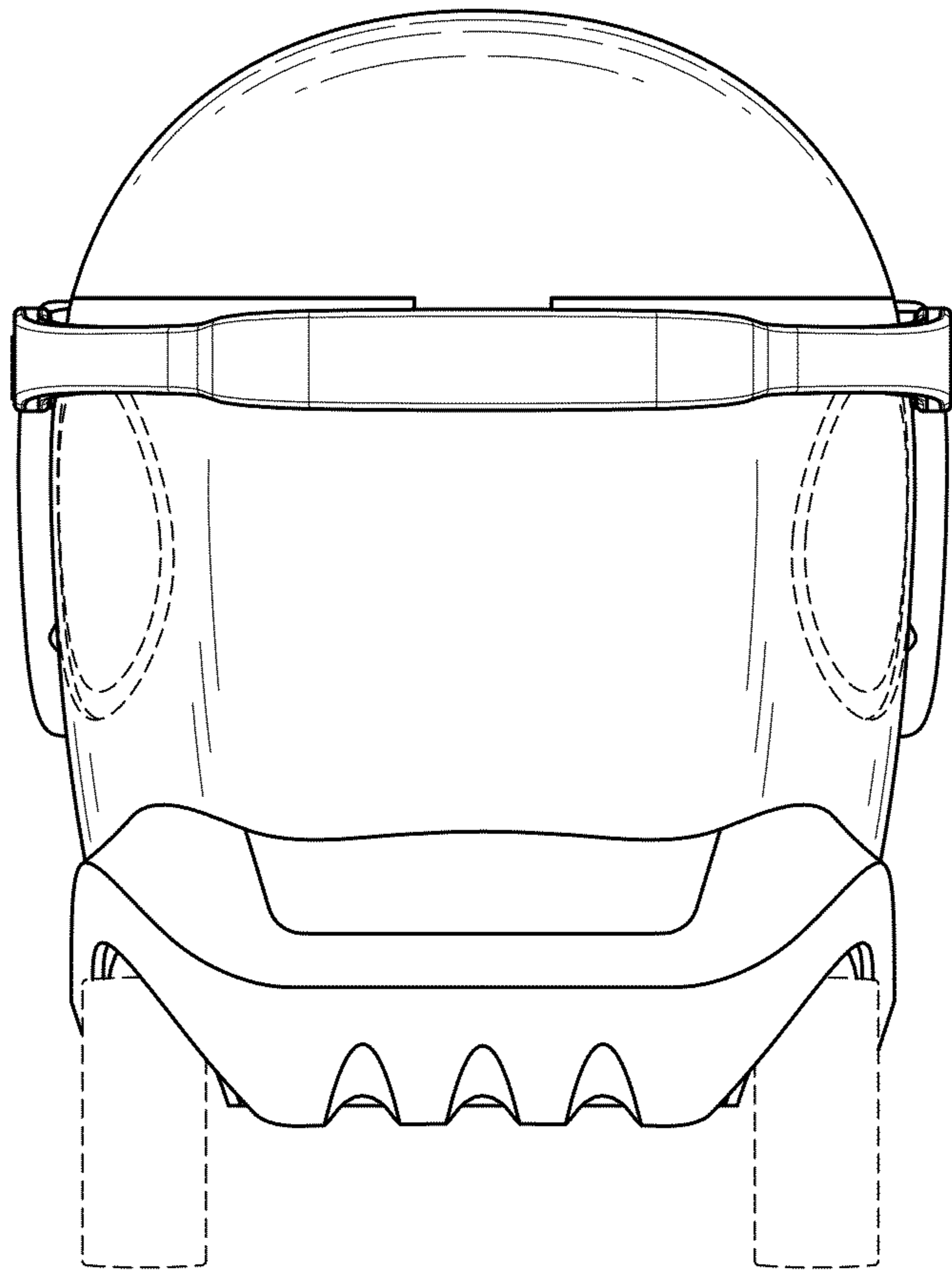


FIG. 5

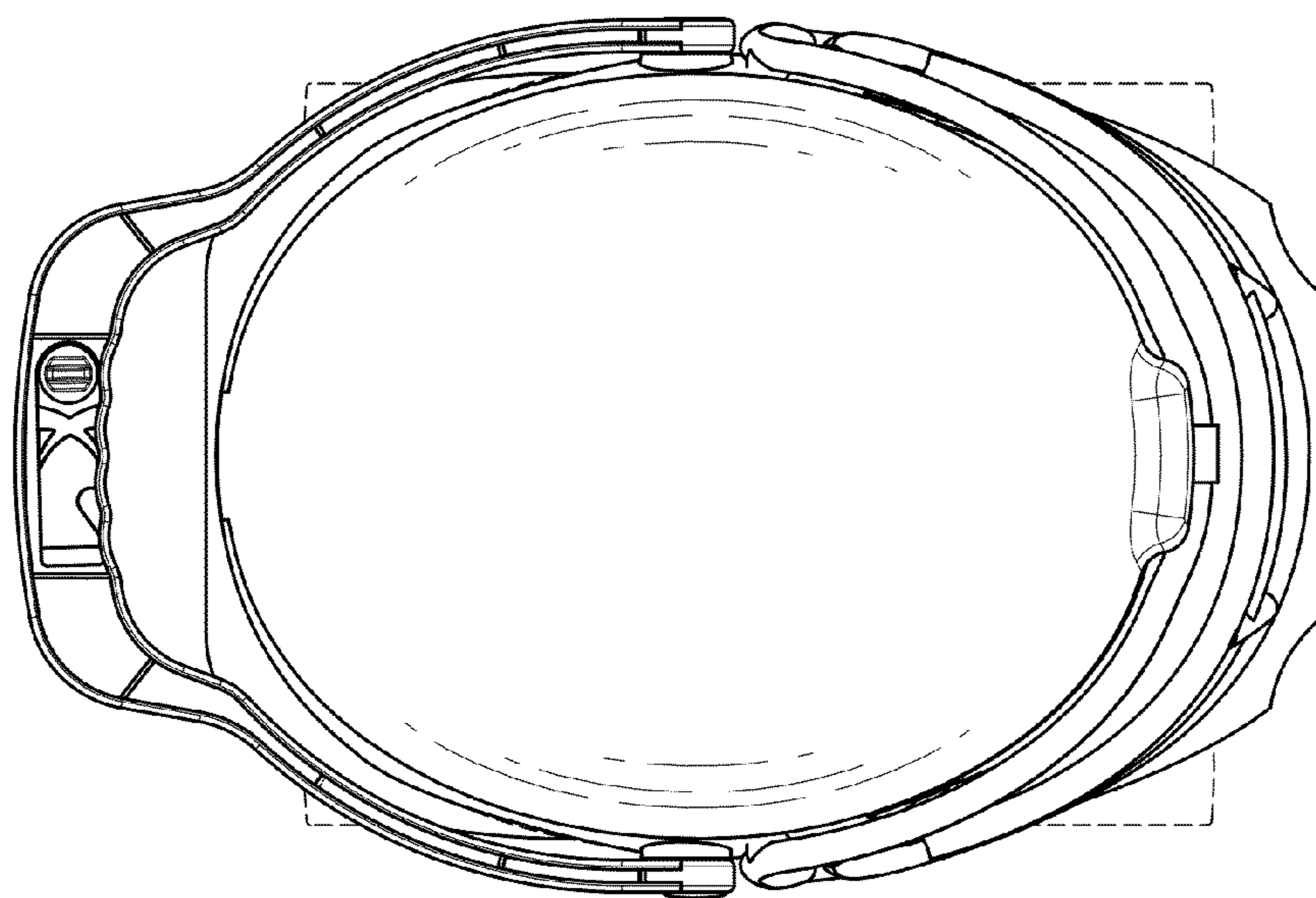


FIG. 6

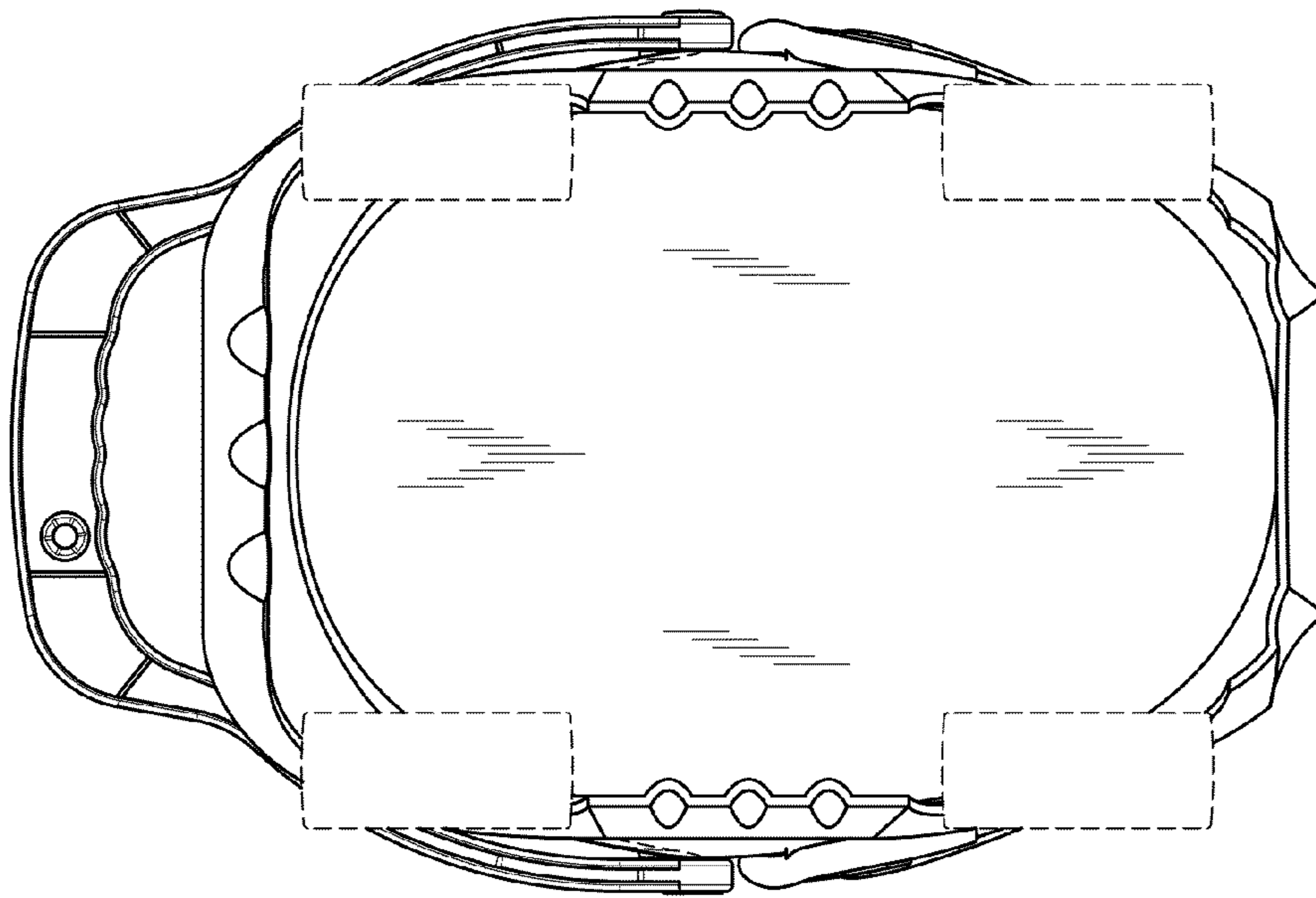


FIG. 7



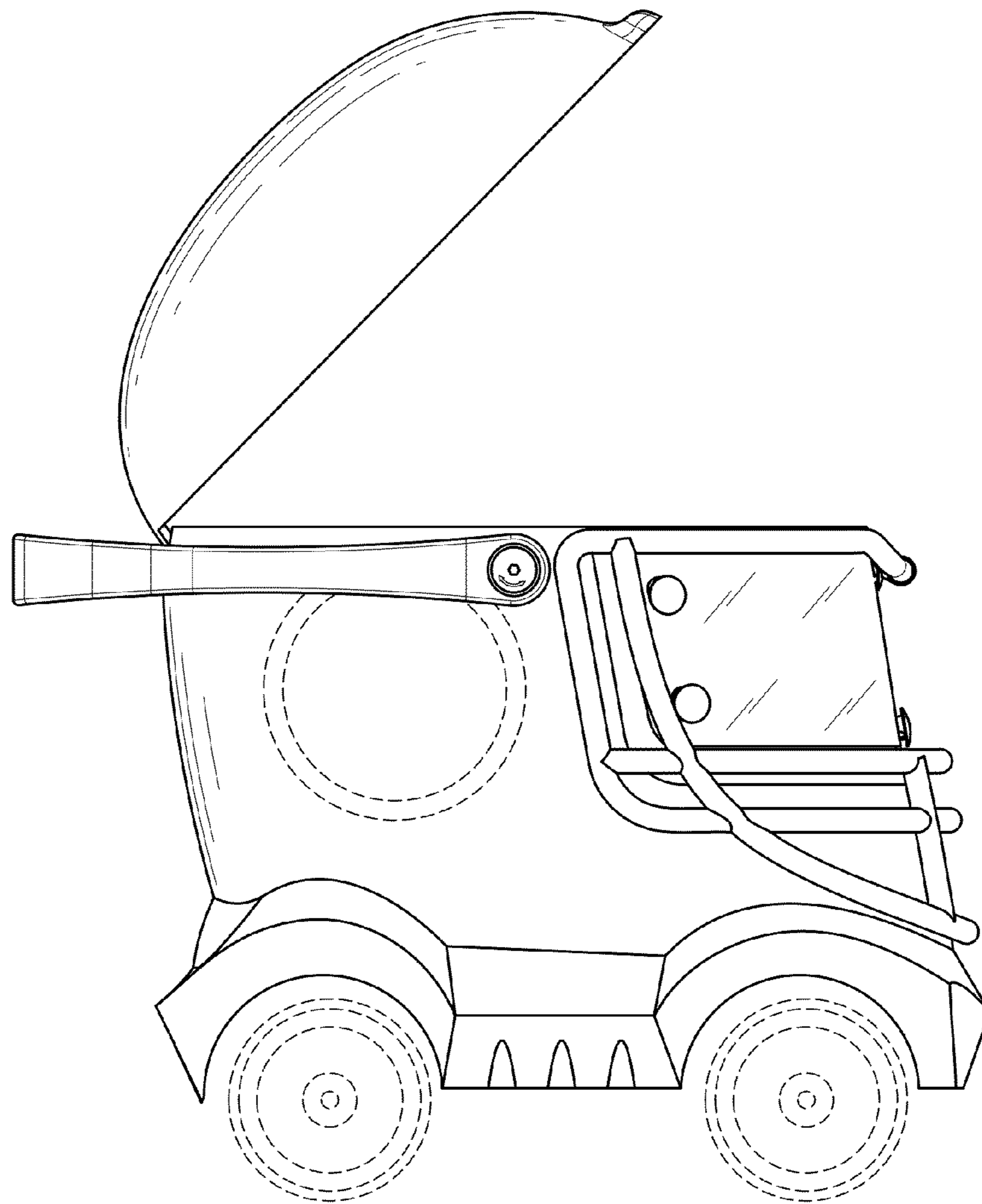


FIG. 8