



US00D701087S

(12) **United States Design Patent**
Audette

(10) **Patent No.:** **US D701,087 S**
(45) **Date of Patent:** **** Mar. 18, 2014**

- (54) **SHREDDER**
- (71) Applicant: **Euro-Pro Operating LLC**, Newton, MA (US)
- (72) Inventor: **David M. Audette**, Webster, MA (US)
- (73) Assignee: **Euro-Pro Operating LLC**, Newton, MA (US)
- (**) Term: **14 Years**
- (21) Appl. No.: **29/447,104**
- (22) Filed: **Feb. 28, 2013**
- (51) **LOC (10) Cl.** **31-00**
- (52) **U.S. Cl.**
USPC **D7/412; D7/376; D7/383; D7/384**
- (58) **Field of Classification Search**
USPC D7/301–313, 316–326, 356–357, 368, D7/372–386, 391–398, 412–415, 503, 515, D7/665–666, 679, 691–693; 83/115, 83/356.3, 395, 865; 99/280, 326, 348, 99/492, 508–512, 635; 241/30–37.5, 92, 241/98, 101.01, 101.1, 101.2, 166–169.1, 241/172, 199.12, 272, 282.1–282.2, 241/285.1–285.3, 291, 292.1; 366/64–67, 366/98, 129, 142–144, 192–211, 241–254, 366/262, 279, 282.1, 282.2, 292, 325.4, 366/325.8, 325.92, 341–347; 416/75–77, 416/70 R, 163, 175, 227 R
See application file for complete search history.

4,199,112 A *	4/1980	McLean	241/92
4,240,338 A	12/1980	McClellan		
4,300,448 A	11/1981	Hayashi et al.		
4,367,667 A *	1/1983	Shibata	83/356.3
4,393,737 A *	7/1983	Shibata	83/356.3
D309,083 S	7/1990	Kahlcke		
5,479,851 A	1/1996	McClellan et al.		
5,551,335 A	9/1996	McClellan		
5,570,629 A	11/1996	Ruck		
5,983,769 A *	11/1999	Schneider	83/865
D426,744 S *	6/2000	Wong	D7/384
7,481,155 B2	1/2009	Larsen		
7,854,194 B2	12/2010	Siu et al.		
D652,678 S *	1/2012	Holgersson	D7/412
D679,140 S *	4/2013	Faram	D7/412
2011/0154997 A1	6/2011	Huang		

FOREIGN PATENT DOCUMENTS

EP	2 338 386 A1	6/2011
EP	2 368 465 A1	9/2011

* cited by examiner

Primary Examiner — Ricky Pham
(74) *Attorney, Agent, or Firm* — Wolf, Greenfield & Sacks, P.C.

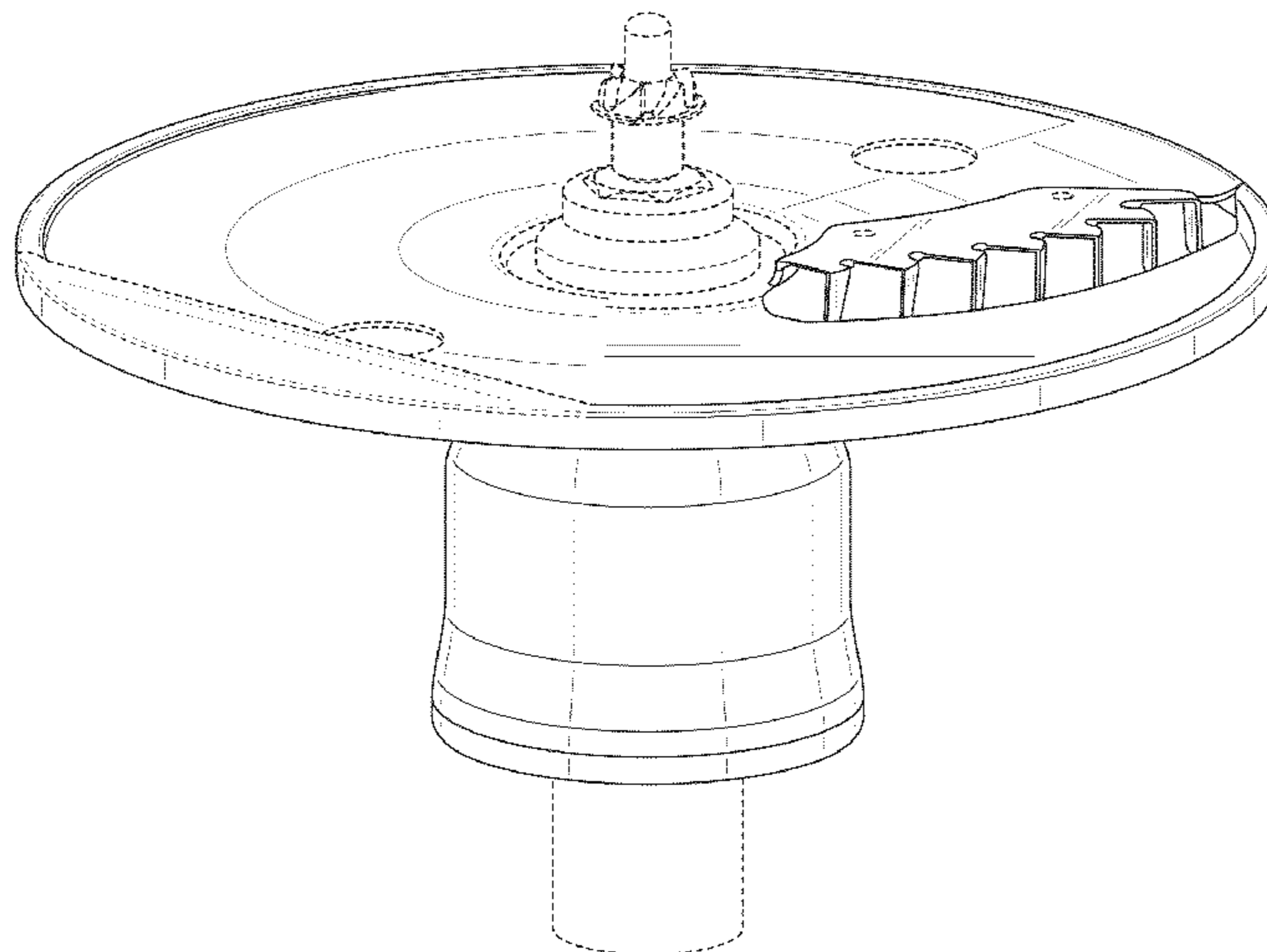
(57) **CLAIM**
The ornamental design for a shredder, as shown and described.

DESCRIPTION

FIG. 1 is a top, front, right side perspective view of a shredder showing our new design;
FIG. 2 is a front elevational view thereof;
FIG. 3 is a rear elevational view thereof;
FIG. 4 is a left side elevational view thereof;
FIG. 5 is a right side elevational view thereof;
FIG. 6 is a top plan view thereof; and,
FIG. 7 is a bottom plan view thereof.
The broken lines of FIGS. 1-7 illustrate portions of the shredder that form no part of the claimed design.

1 Claim, 7 Drawing Sheets

- (56) **References Cited**
- U.S. PATENT DOCUMENTS
- 570,662 A * 11/1896 Cormack 366/325.4
- 1,965,501 A * 7/1934 Knott 83/395
- 2,026,691 A * 1/1936 Mcardle et al. 241/101.1
- 2,289,958 A 7/1942 Grau
- 2,511,464 A * 6/1950 Cover 99/635
- 3,032,086 A * 5/1962 Daugherty 83/115
- 4,190,208 A * 2/1980 Schaeffer et al. 241/92



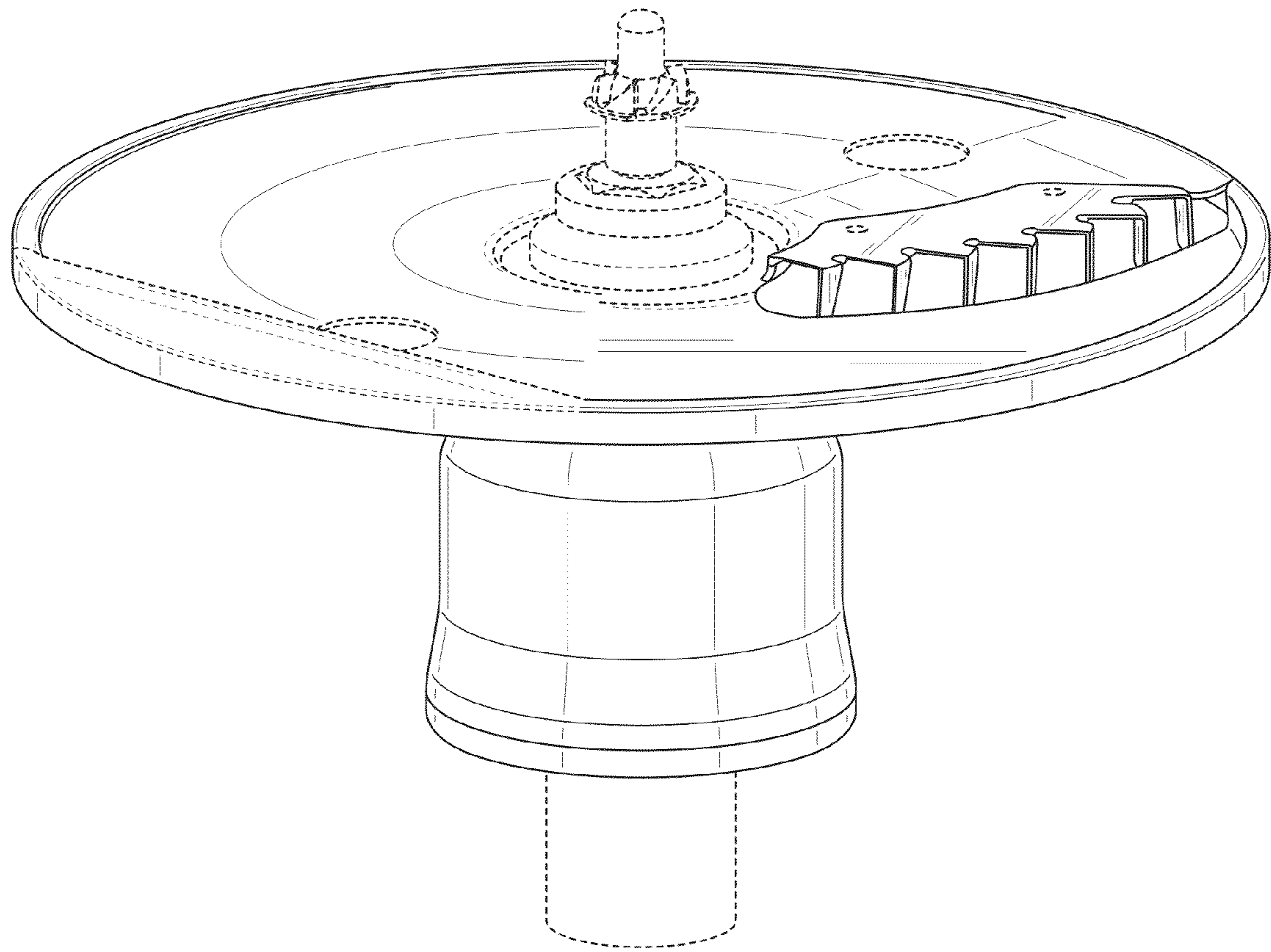


FIG. 1

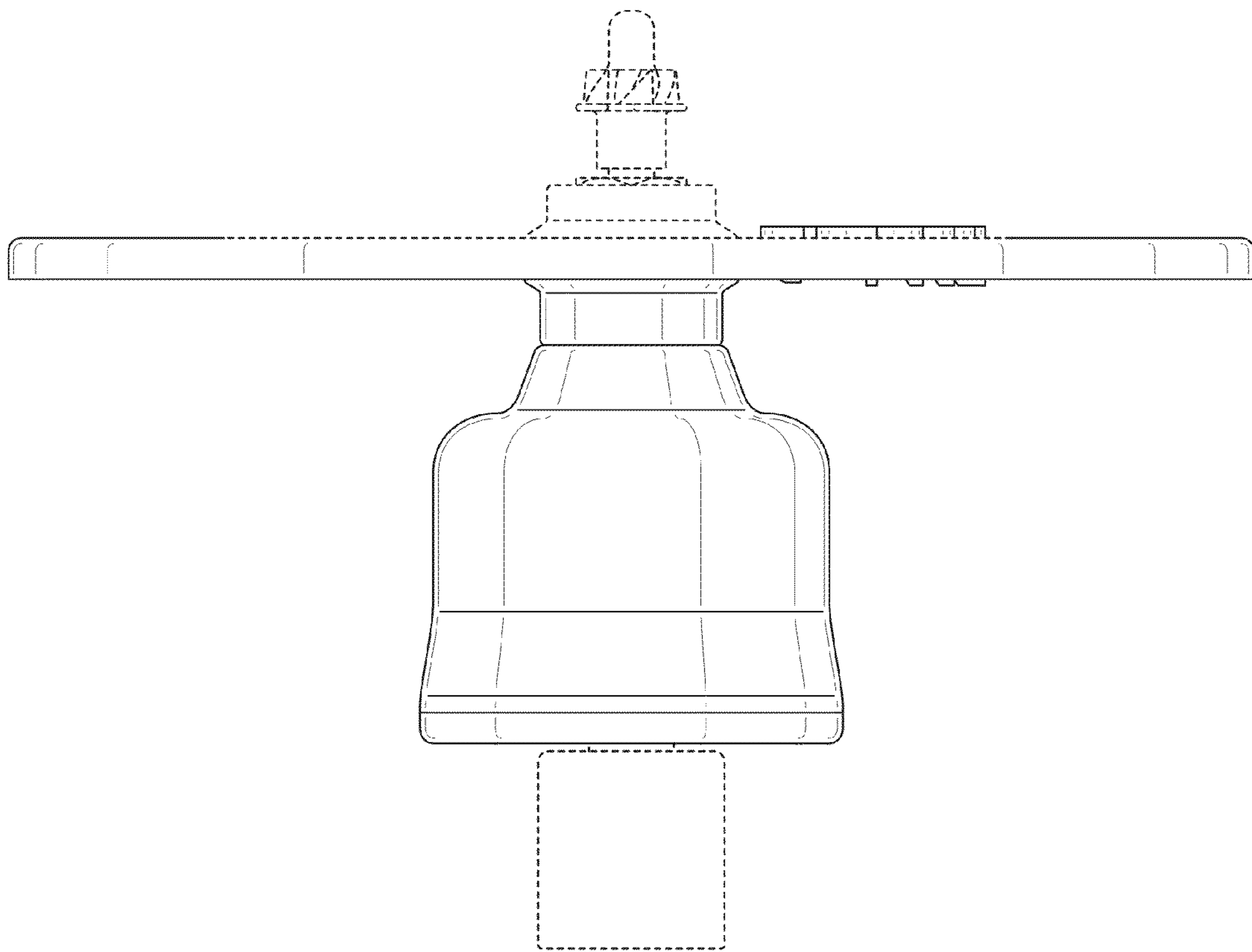


FIG. 2

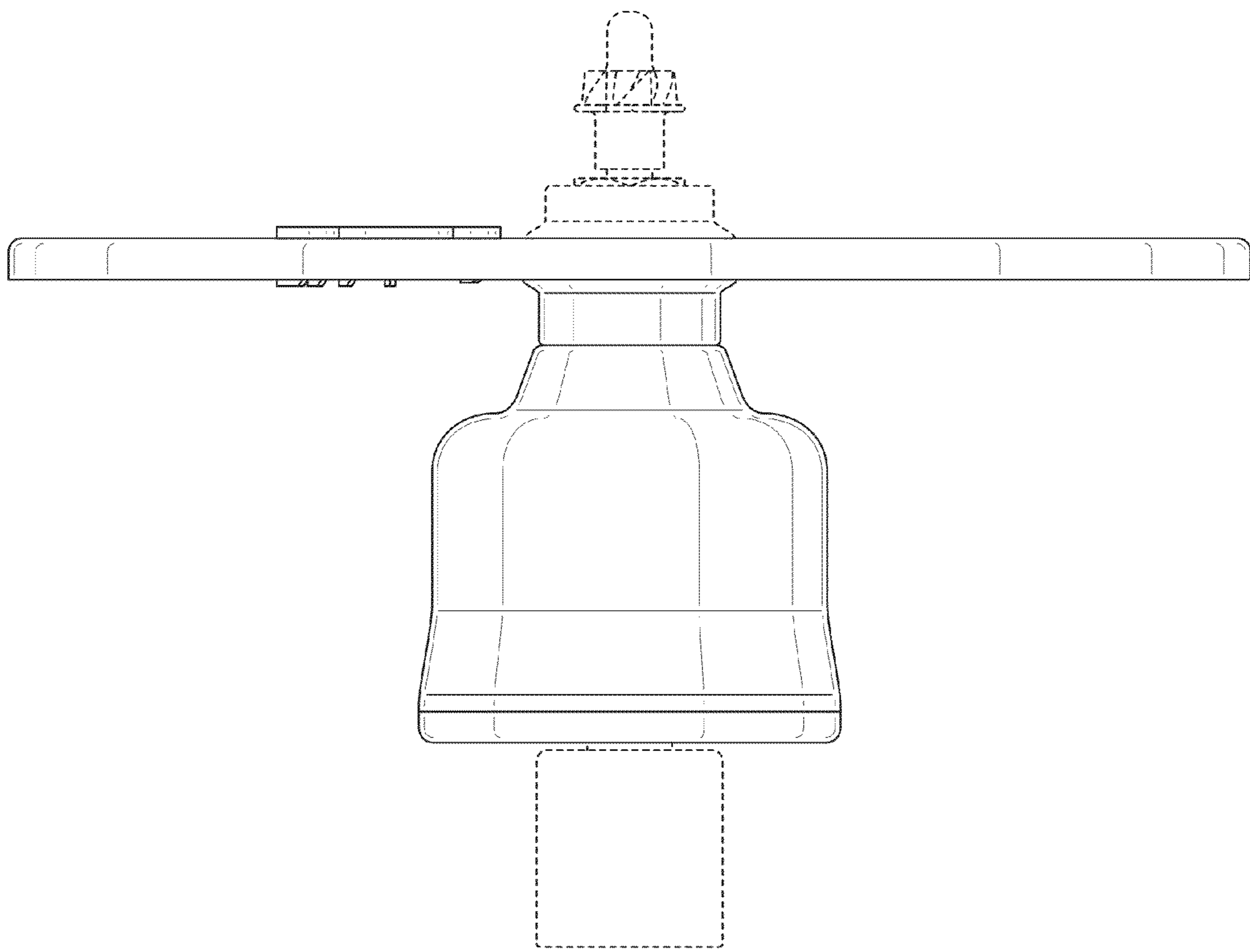


FIG. 3

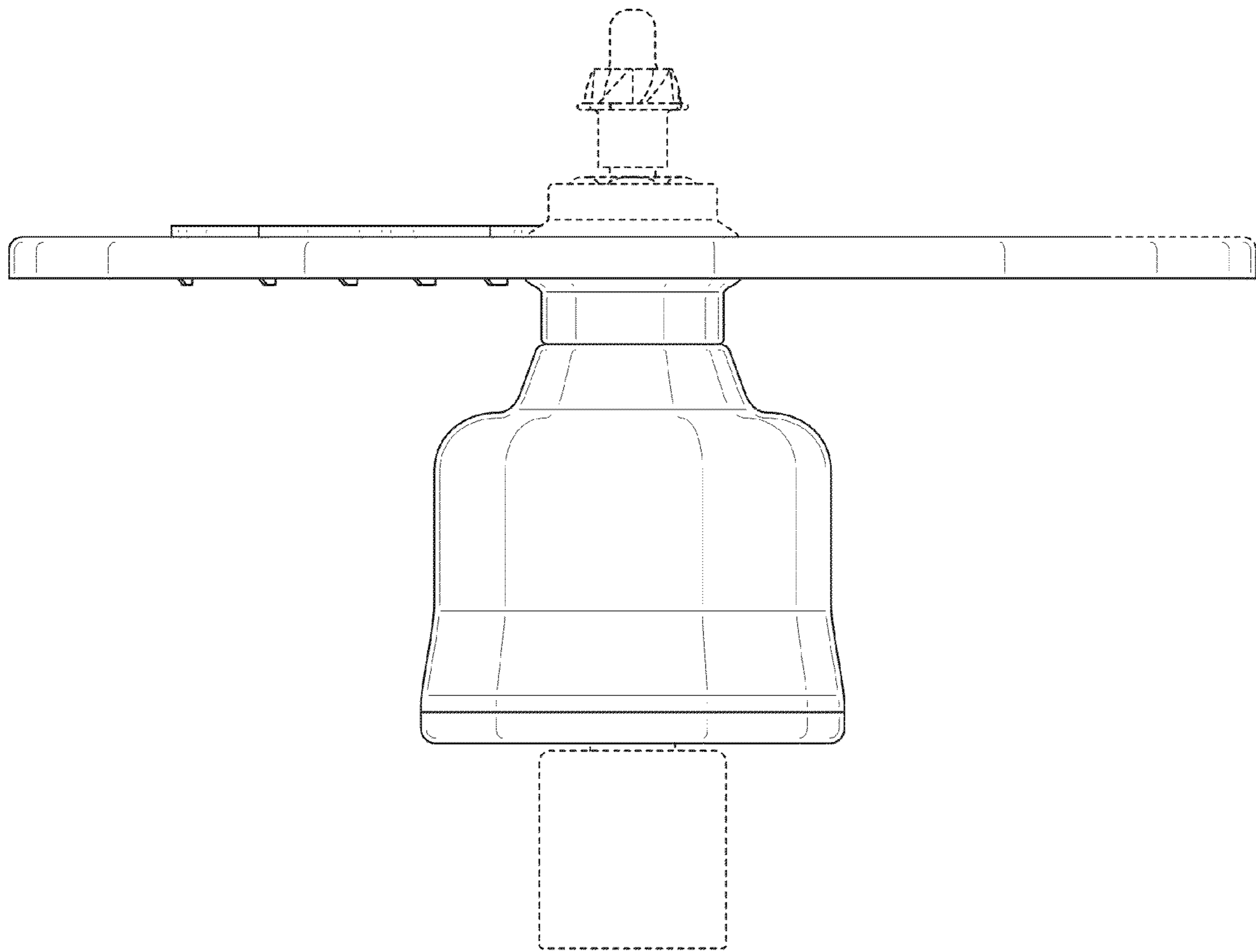


FIG. 4

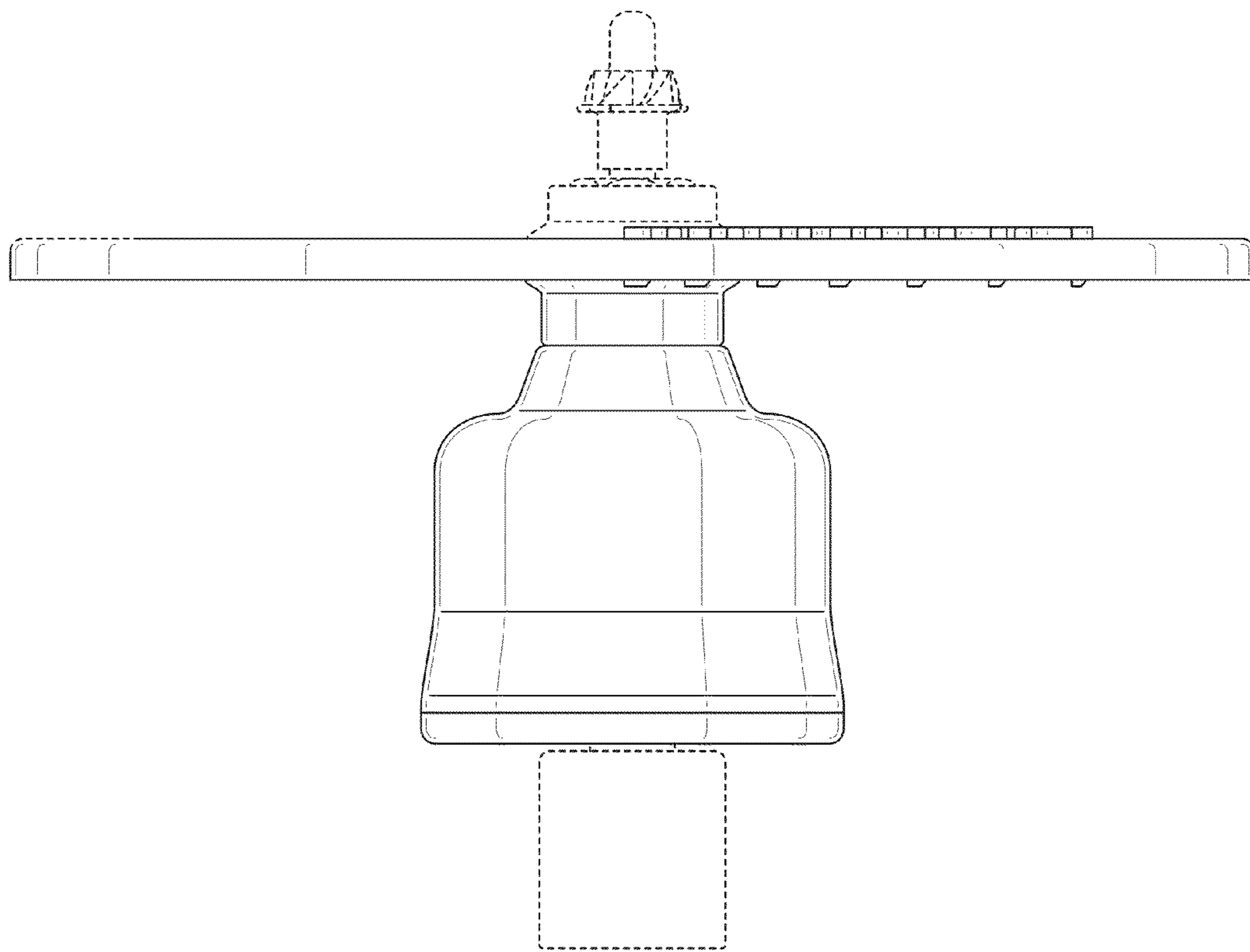


FIG. 5

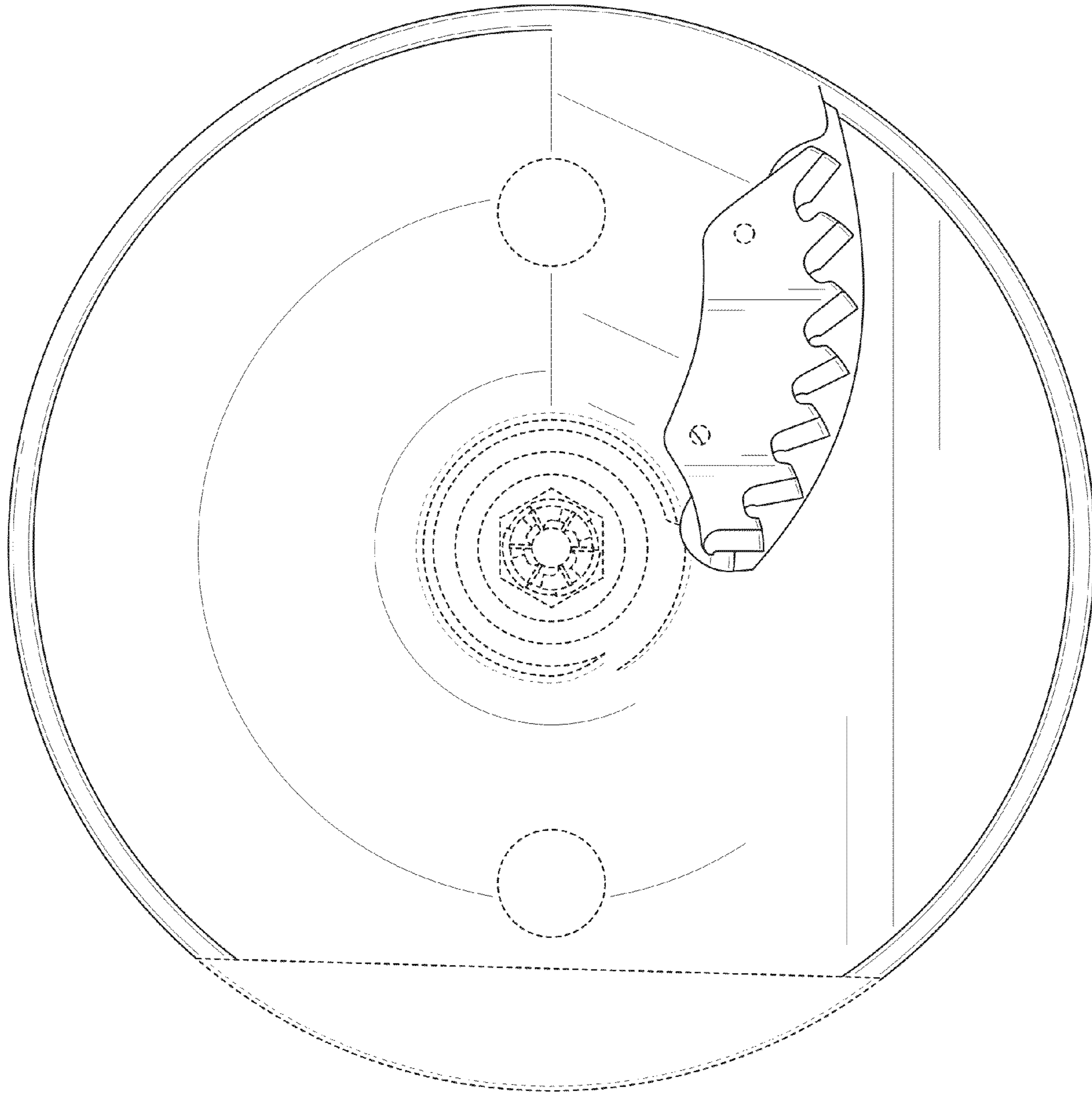


FIG. 6

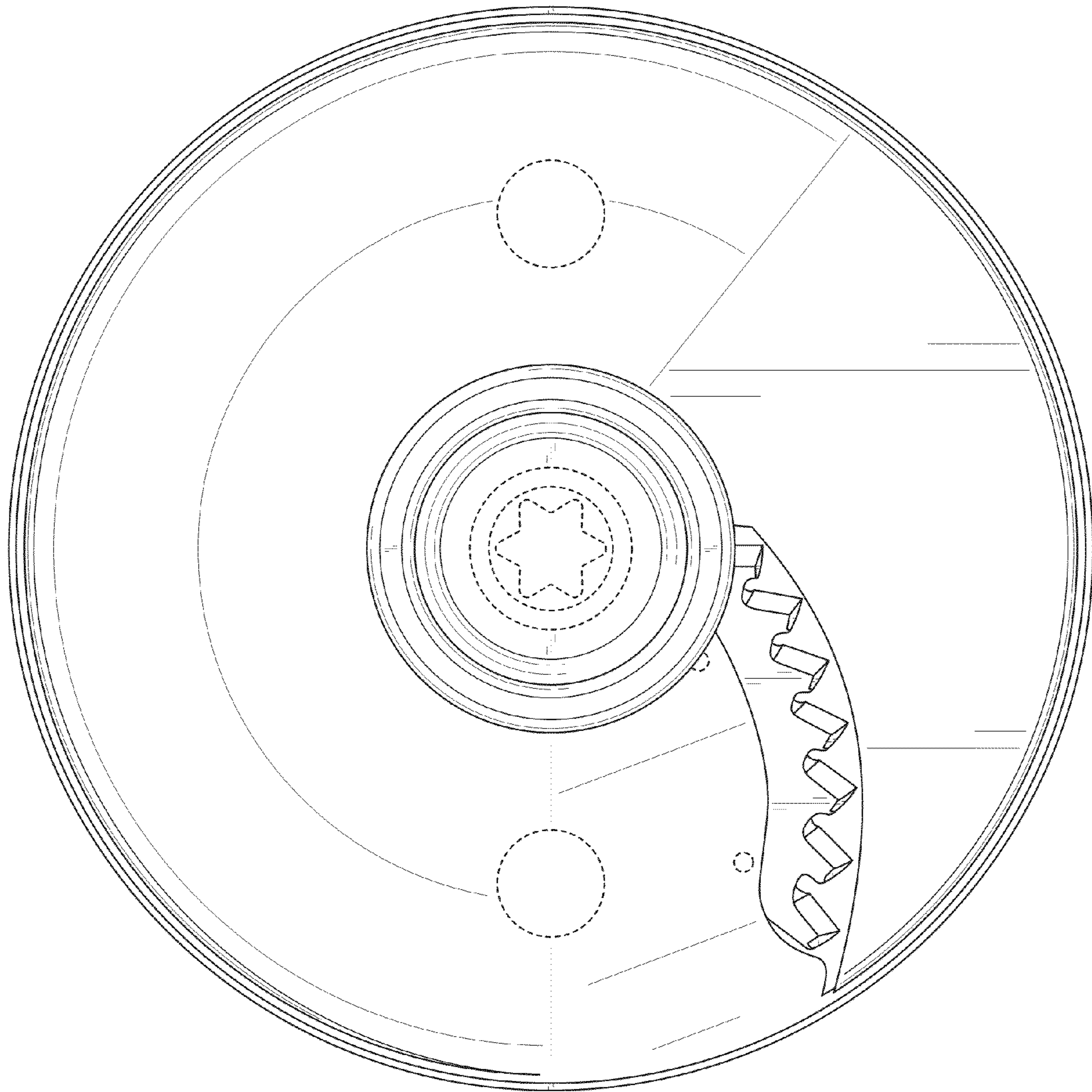


FIG. 7