



US00D701086S

(12) **United States Design Patent**
Coakley et al.

(10) **Patent No.:** **US D701,086 S**
(45) **Date of Patent:** **** Mar. 18, 2014**

(54) **JUICER WINDOW**

(71) Applicant: **Euro-Pro Operating LLC**, Newton, MA (US)

(72) Inventors: **Devin Joseph Coakley**, Bellingham, MA (US); **Mark Allen Nichols**, Newton Highlands, MA (US)

(73) Assignee: **Euro-Pro Operating LLC**, Newton, MA (US)

(**) Term: **14 Years**

(21) Appl. No.: **29/447,084**

(22) Filed: **Feb. 28, 2013**

(51) **LOC (10) Cl.** **31-00**

(52) **U.S. Cl.**
USPC **D7/412**

(58) **Field of Classification Search**
USPC D7/665-667, 412, 376-386; 241/92, 241/101.1-101.7, 285.1-285.3; 99/501-513, 495, 499, 348, 357, 349, 99/369, 370; 366/98, 142, 197-211, 366/241-254, 279-292, 341-347; 100/213, 100/218, 283, 288

See application file for complete search history.

(56) **References Cited**

U.S. PATENT DOCUMENTS

D249,441 S * 9/1978 Fukumoto et al. D7/665
D290,677 S * 7/1987 Stutzer et al. D7/384

D318,402 S * 7/1991 Barrault D7/665
D333,412 S * 2/1993 Levin D7/665
D369,530 S * 5/1996 Risse D7/665
D475,582 S * 6/2003 To D7/665
D528,873 S * 9/2006 Hensel D7/665
D565,363 S * 4/2008 Fouquet D7/666
2011/0083566 A1* 4/2011 Backus 99/511

OTHER PUBLICATIONS

U.S. Appl. No. 29/447,065, filed Feb. 28, 2013, Coakley et al.

* cited by examiner

Primary Examiner — Terry Wallace

(74) *Attorney, Agent, or Firm* — Wolf, Greenfield & Sacks, P.C.

(57) **CLAIM**

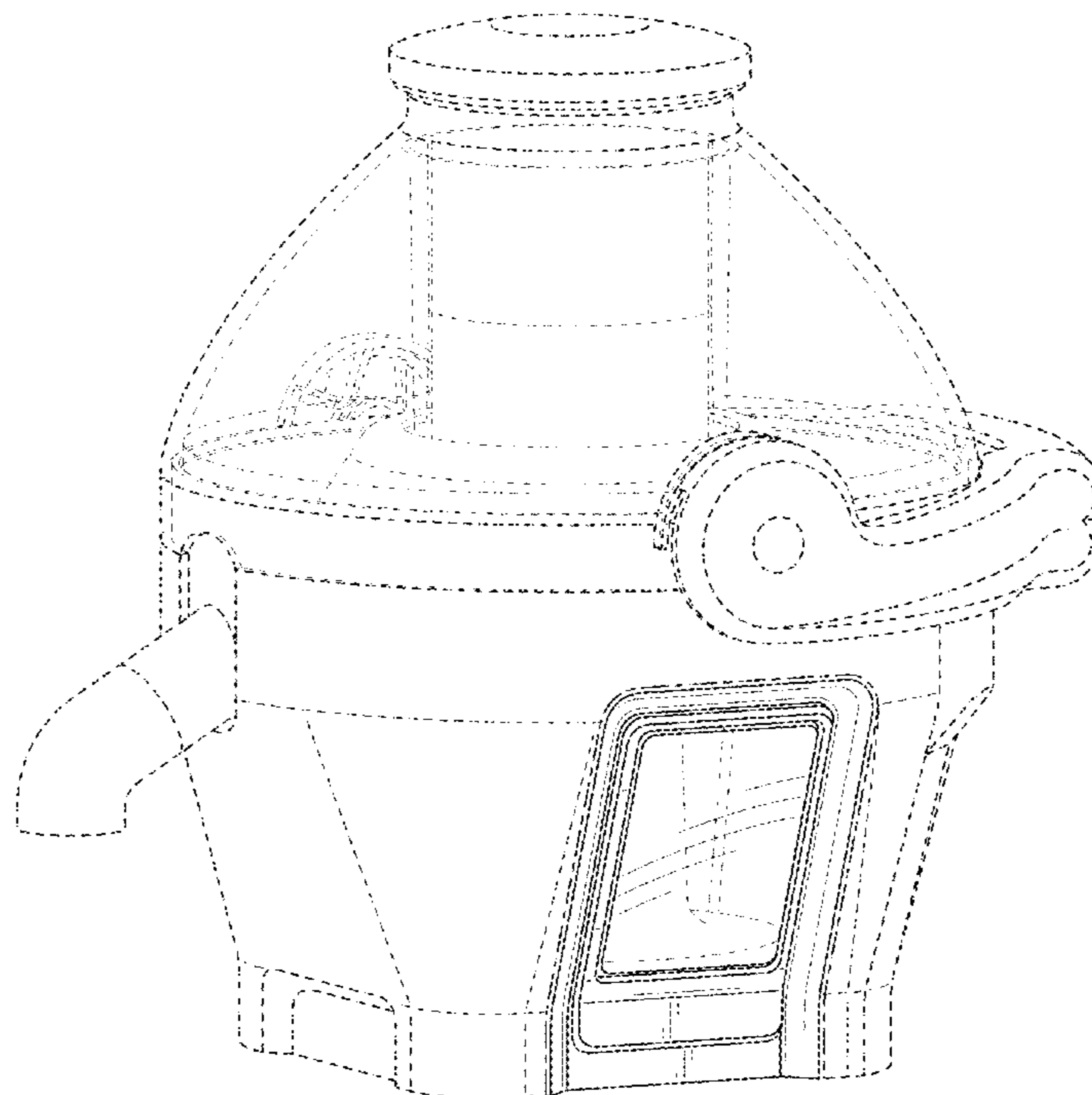
The ornamental design for a juicer window, as shown and described.

DESCRIPTION

FIG. 1 is a top, front, right side perspective view of a juicer window showing our new design;
FIG. 2 is a front elevational view thereof;
FIG. 3 is a rear elevational view thereof;
FIG. 4 is a left side elevational view thereof;
FIG. 5 is a right side elevational view thereof;
FIG. 6 is a top plan view thereof; and,
FIG. 7 is a bottom plan view thereof.

The broken lines of FIGS. 1-7 illustrate environmental matter and form no part of the claimed design. The dash-dot-dash broken lines shown in FIGS. 1, 5 and 7 define boundaries of the claimed design.

1 Claim, 7 Drawing Sheets



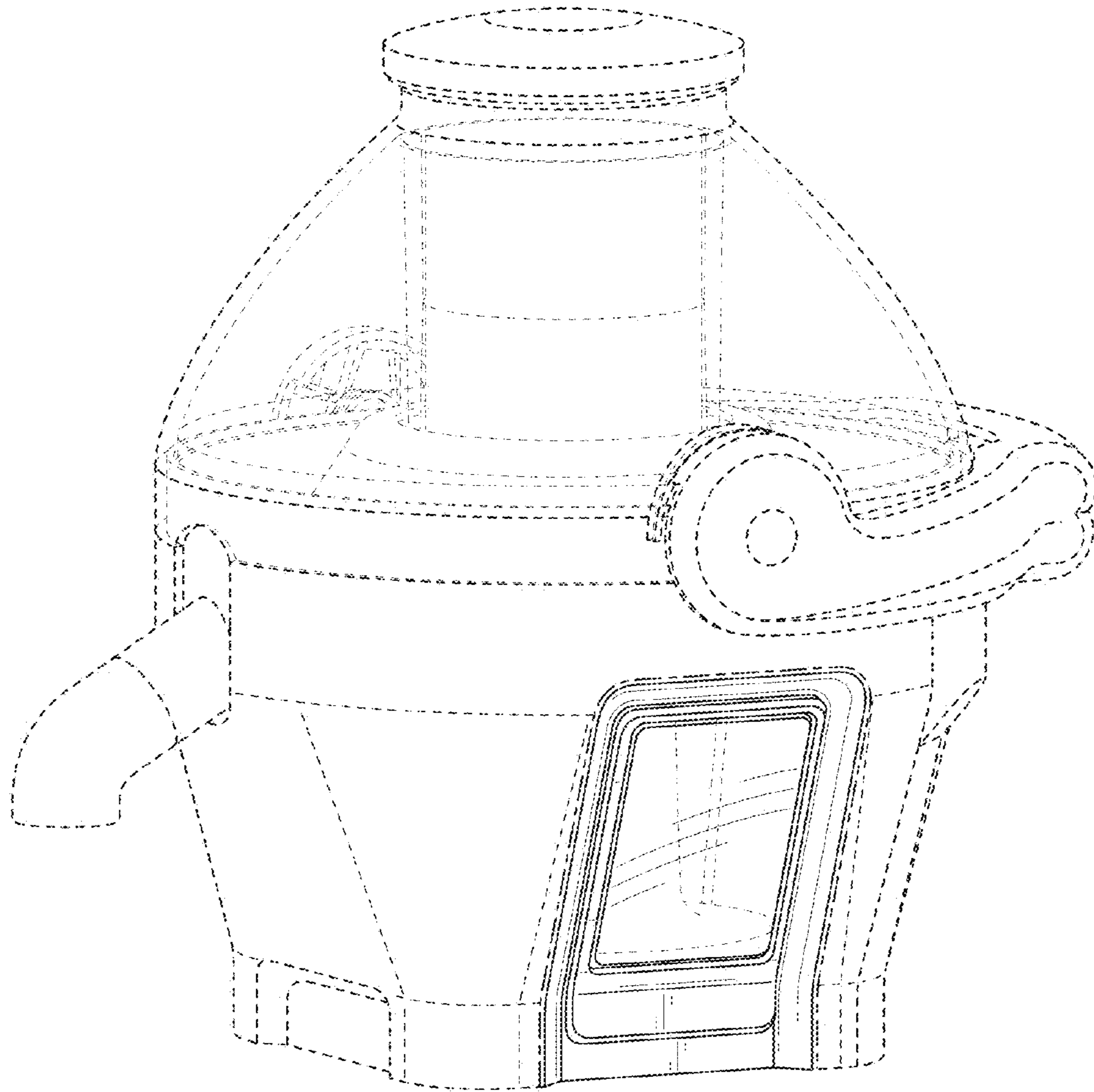


FIG. 1

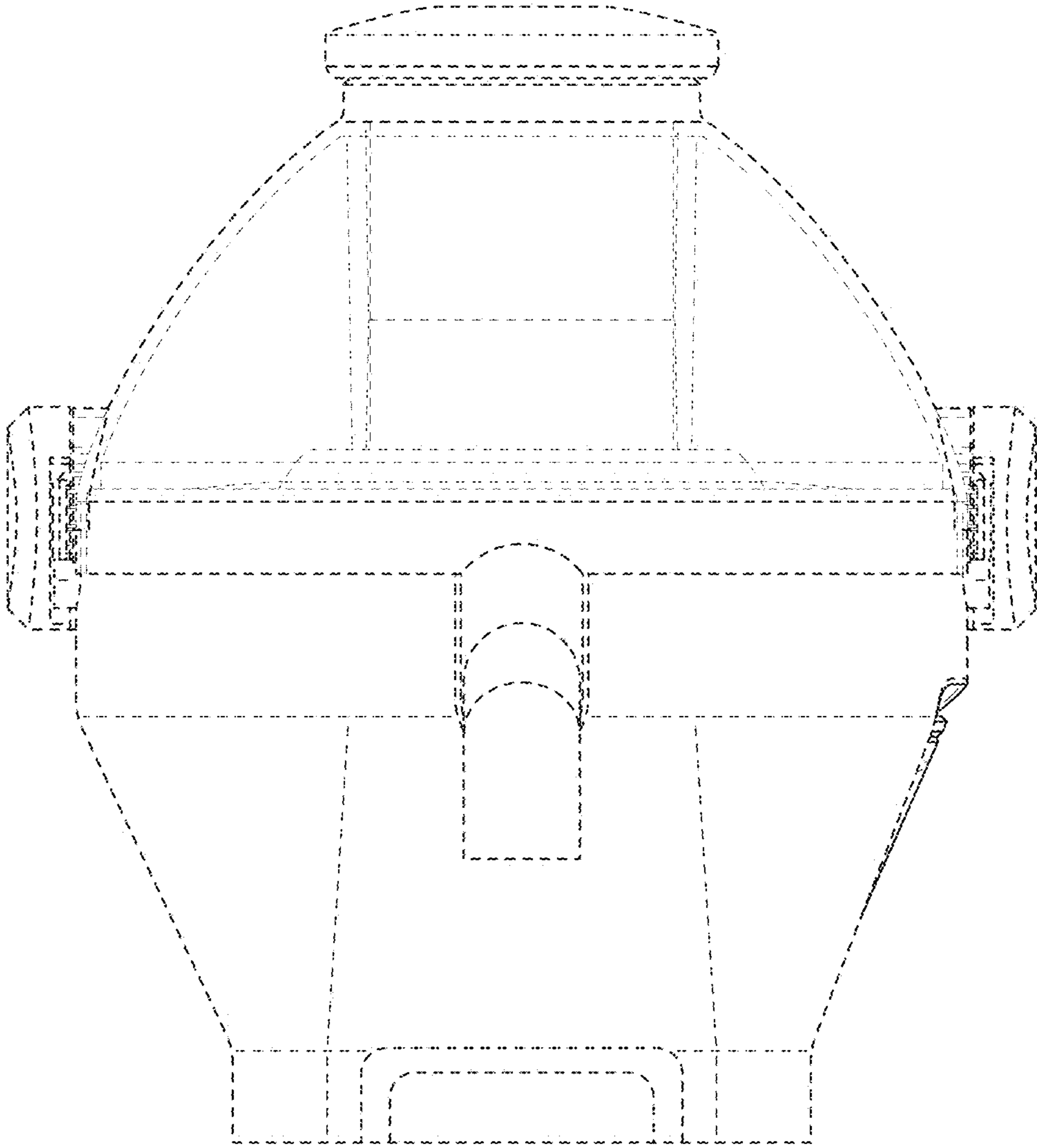


FIG. 2

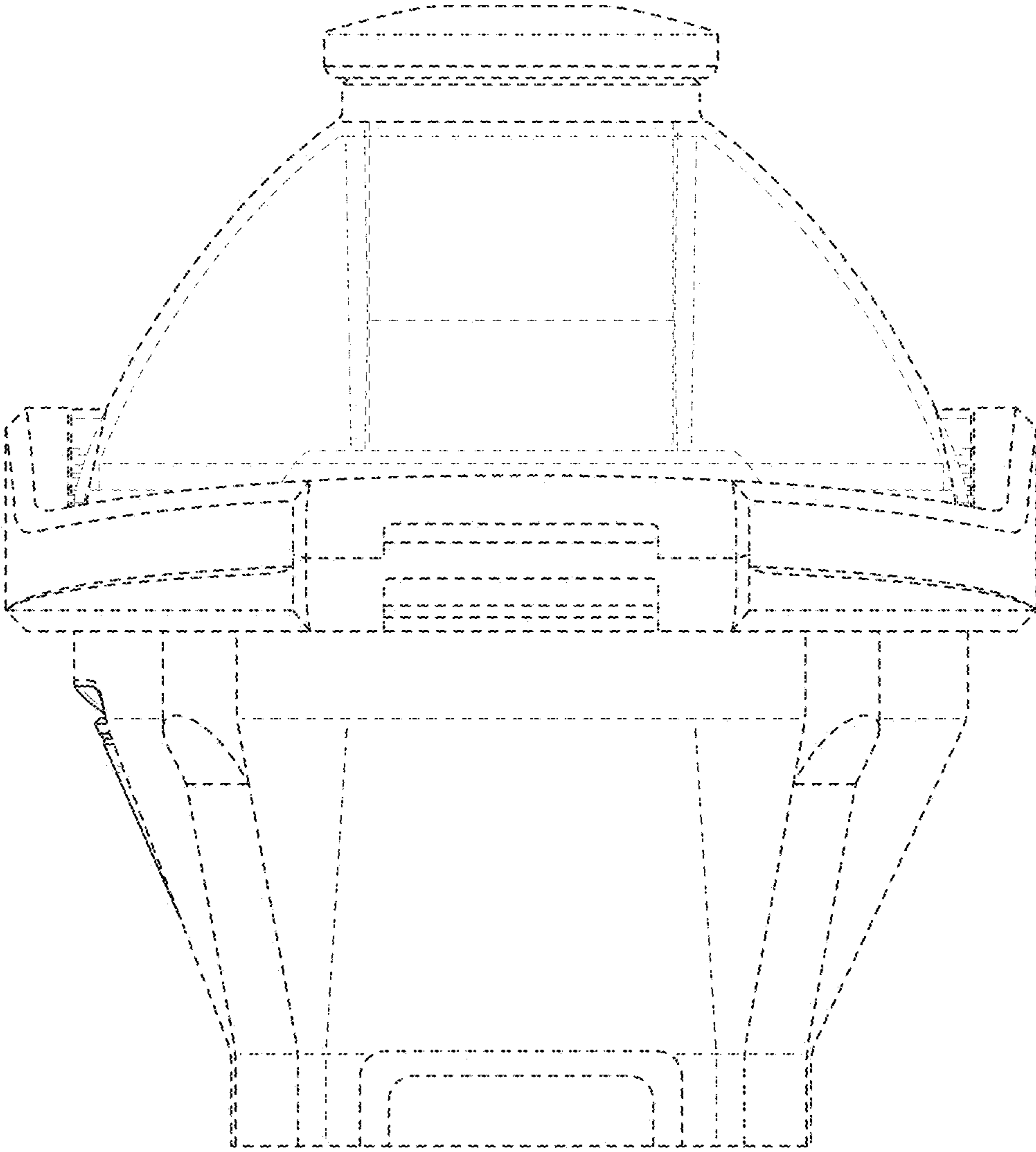


FIG. 3

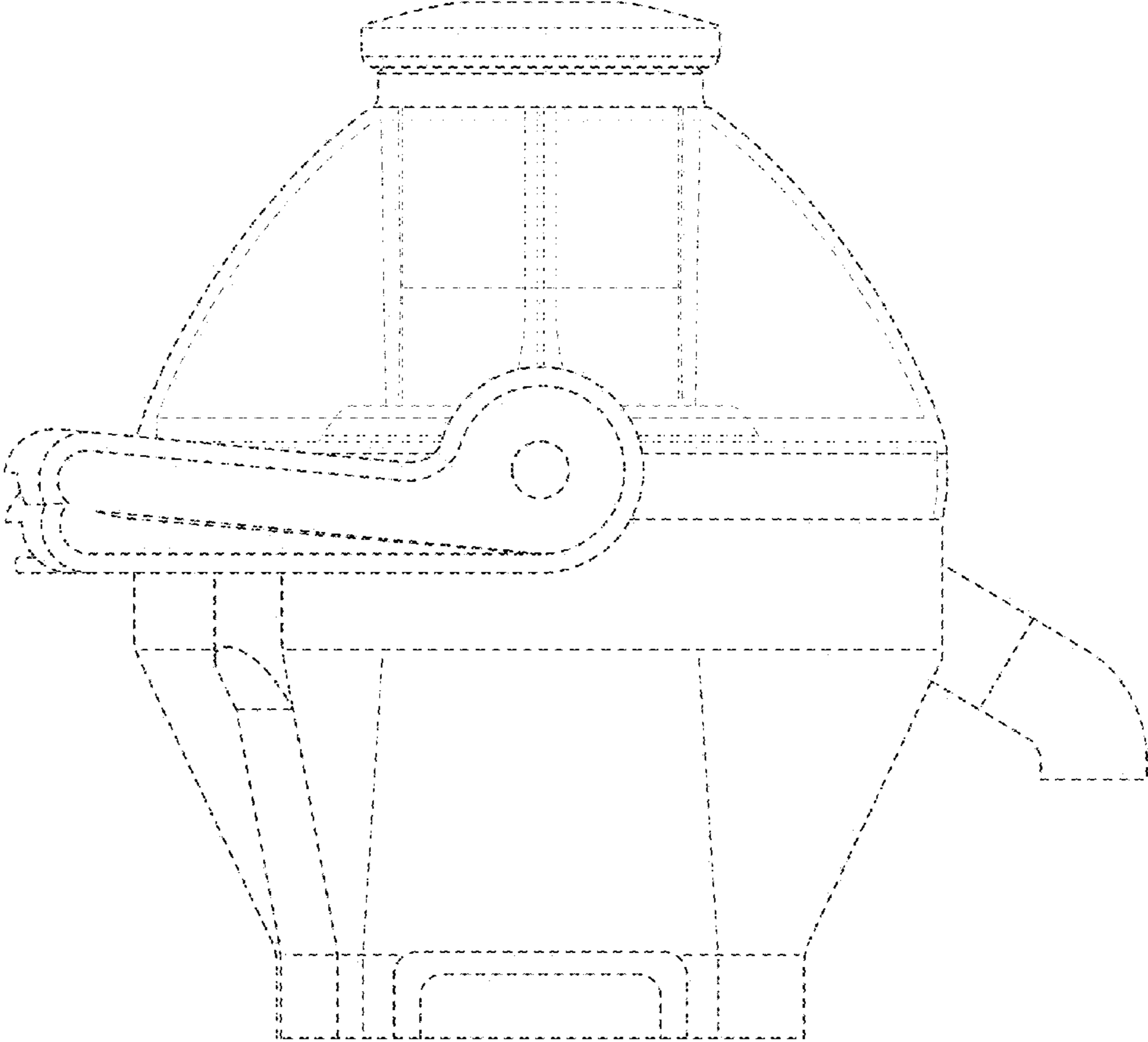


FIG. 4

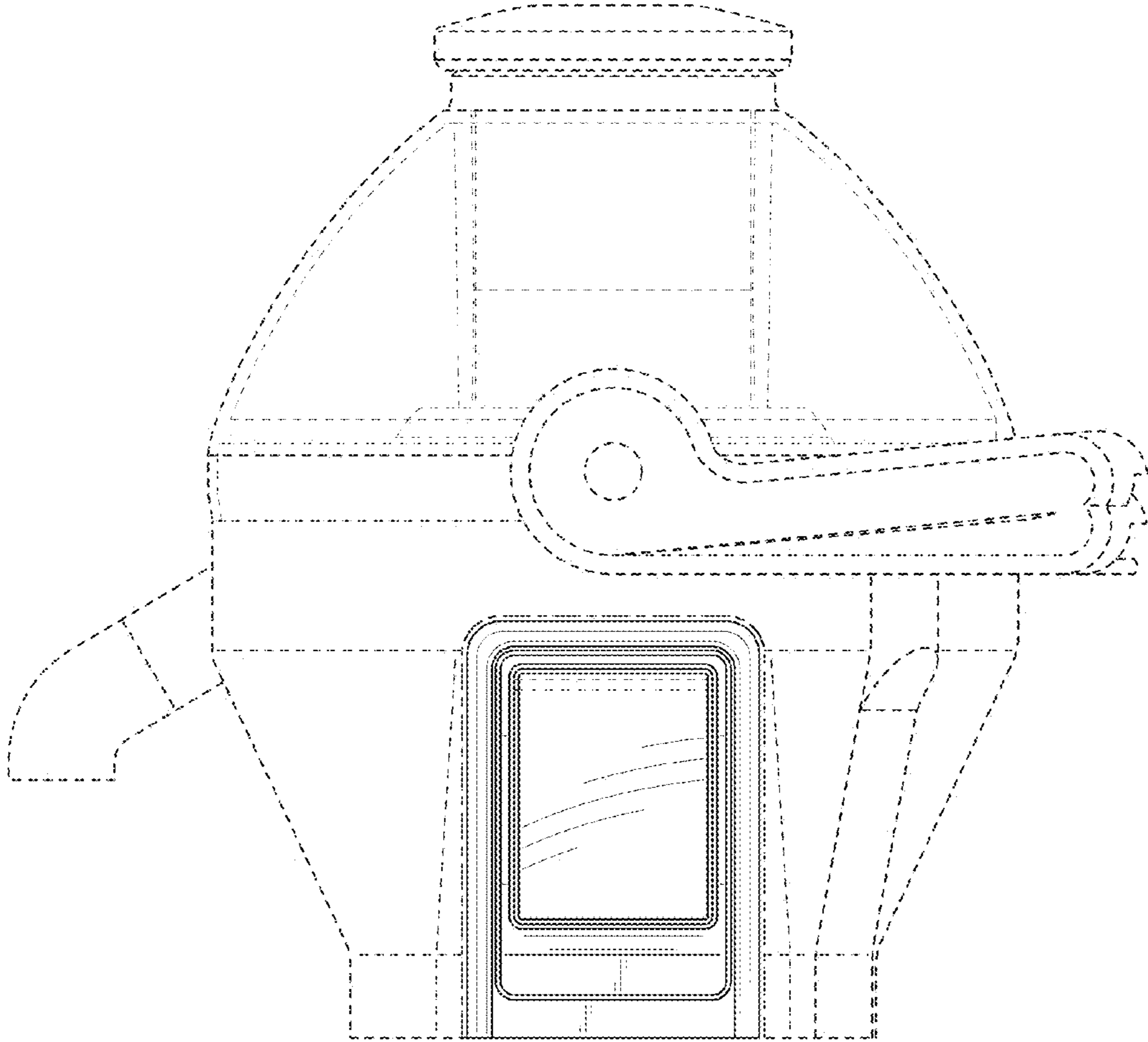


FIG. 5

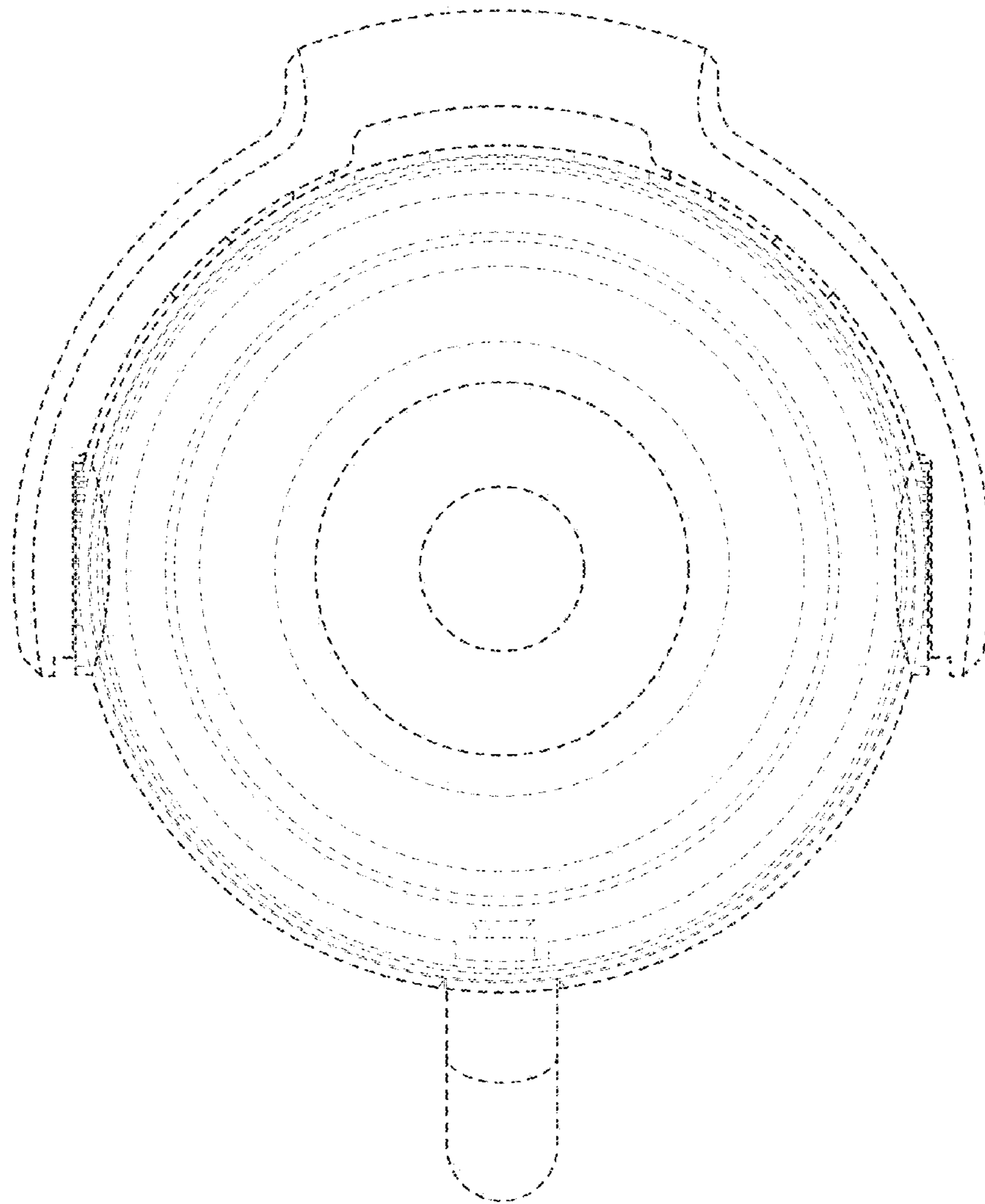


FIG. 6

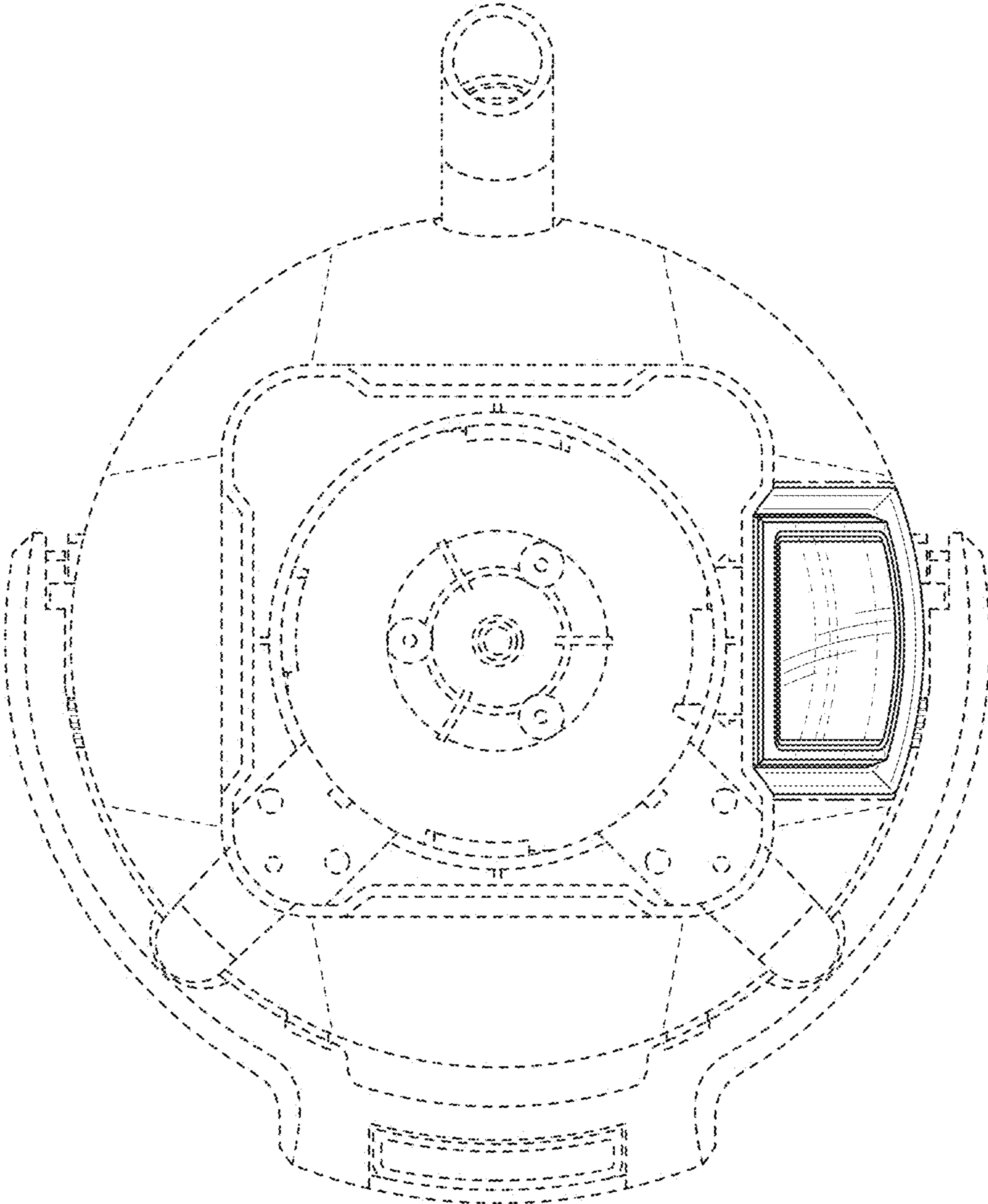


FIG. 7

UNITED STATES PATENT AND TRADEMARK OFFICE
CERTIFICATE OF CORRECTION

PATENT NO. : D701,086 S
APPLICATION NO. : 29/447084
DATED : March 18, 2014
INVENTOR(S) : Devin Joseph Coakley et al.

Page 1 of 9

It is certified that error appears in the above-identified patent and that said Letters Patent is hereby corrected as shown below:

Title page should be deleted and substitute therefor the attached page.

In the Drawings:

Deletes Figures 1-7 and replace with attached Figures 1-7.

Signed and Sealed this
First Day of July, 2014



Michelle K. Lee
Deputy Director of the United States Patent and Trademark Office

(12) **United States Design Patent** (10) **Patent No.:** **US D701,086 S**
Coakley et al. (45) **Date of Patent:** **** Mar. 18, 2014**

(54) **JUICER WINDOW**

(71) **Applicant:** **Euro-Pro Operating LLC**, Newton, MA (US)

(72) **Inventors:** **Devin Joseph Coakley**, Bellingham, MA (US); **Mark Allen Nichols**, Newton Highlands, MA (US)

(73) **Assignee:** **Euro-Pro Operating LLC**, Newton, MA (US)

(**) **Term:** **14 Years**

(21) **Appl. No.:** **29/447,084**

(22) **Filed:** **Feb. 28, 2013**

(51) **LOC (10) Cl.** **31-00**

(52) **U.S. Cl.**
USPC **D7/412**

(58) **Field of Classification Search**
USPC **D7/665-667, 412, 376-386; 241/92, 241/101.1-101.7, 285.1-285.3; 99/501-513, 495, 499, 348, 357, 349, 99/369, 370; 366/98, 142, 197-211, 366/241-254, 279-292, 341-347; 100/213, 100/218, 283, 288**
See application file for complete search history.

D318,402 S * 7/1991 Barrault D7/665
 D333,412 S * 2/1993 Levin D7/665
 D369,530 S * 5/1996 Risse D7/665
 D475,582 S * 6/2003 To D7/665
 D528,873 S * 9/2006 Hensel D7/665
 D565,363 S * 4/2008 Fouquet D7/666
 2011/0083566 A1* 4/2011 Backus 99/511

OTHER PUBLICATIONS

U.S. Appl. No. 29/447,065, filed Feb. 28, 2013, Coakley et al.
 * cited by examiner

Primary Examiner — Terry Wallace
 (74) *Attorney, Agent, or Firm* — Wolf, Greenfield & Sacks, P.C.

(57) **CLAIM**
 The ornamental design for a juicer window, as shown and described.

DESCRIPTION

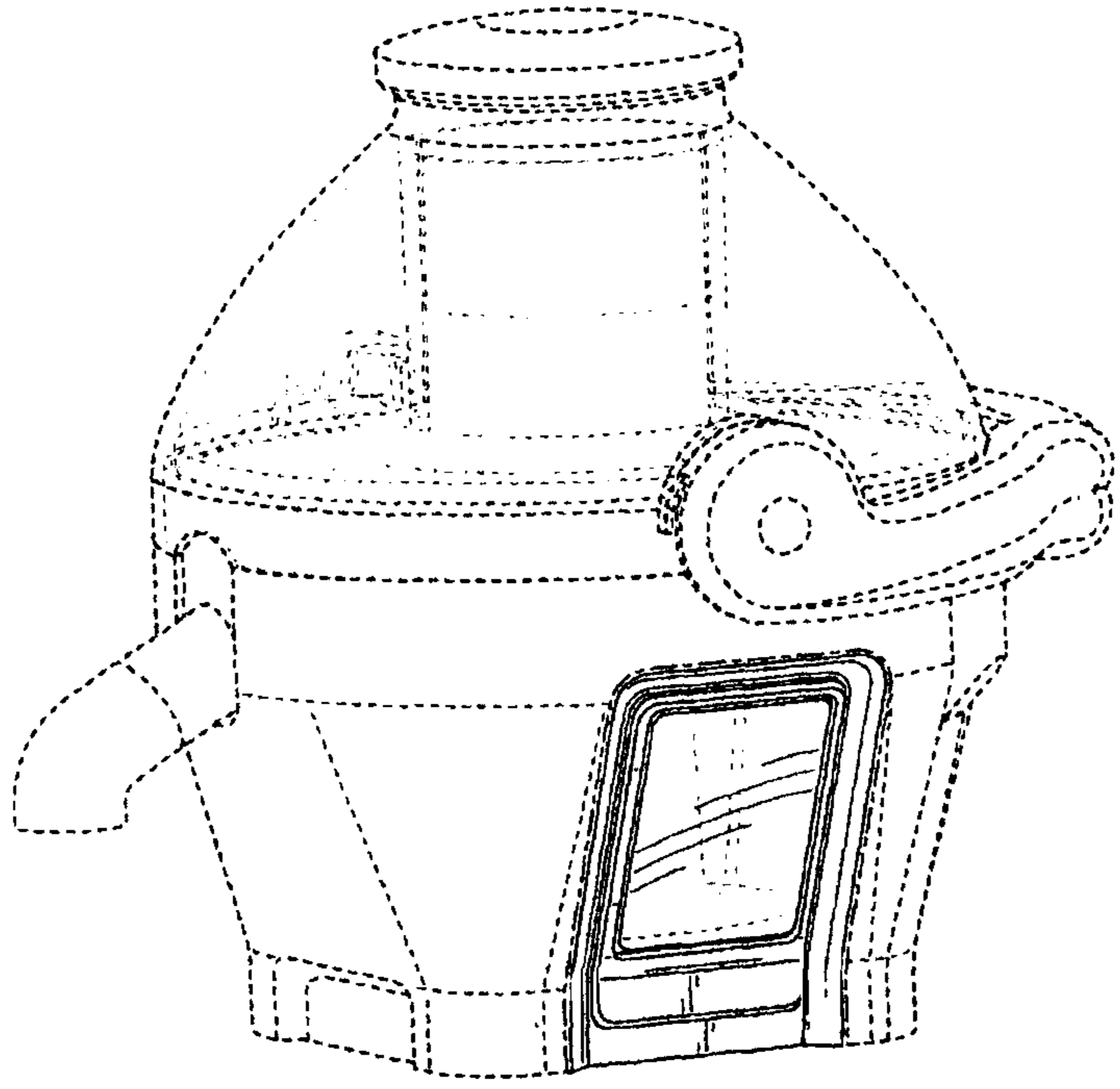
FIG. 1 is a top, front, right side perspective view of a juicer window showing our new design;
 FIG. 2 is a front elevational view thereof;
 FIG. 3 is a rear elevational view thereof;
 FIG. 4 is a left side elevational view thereof;
 FIG. 5 is a right side elevational view thereof;
 FIG. 6 is a top plan view thereof; and,
 FIG. 7 is a bottom plan view thereof.
 The broken lines of FIGS. 1-7 illustrate environmental matter and form no part of the claimed design. The dash-dot-dash broken lines shown in FIGS. 1, 5 and 7 define boundaries of the claimed design.

(56) **References Cited**

U.S. PATENT DOCUMENTS

D249,441 S * 9/1978 Fukumoto et al. D7/665
 D290,677 S * 7/1987 Stutzer et al. D7/384

1 Claim, 7 Drawing Sheets



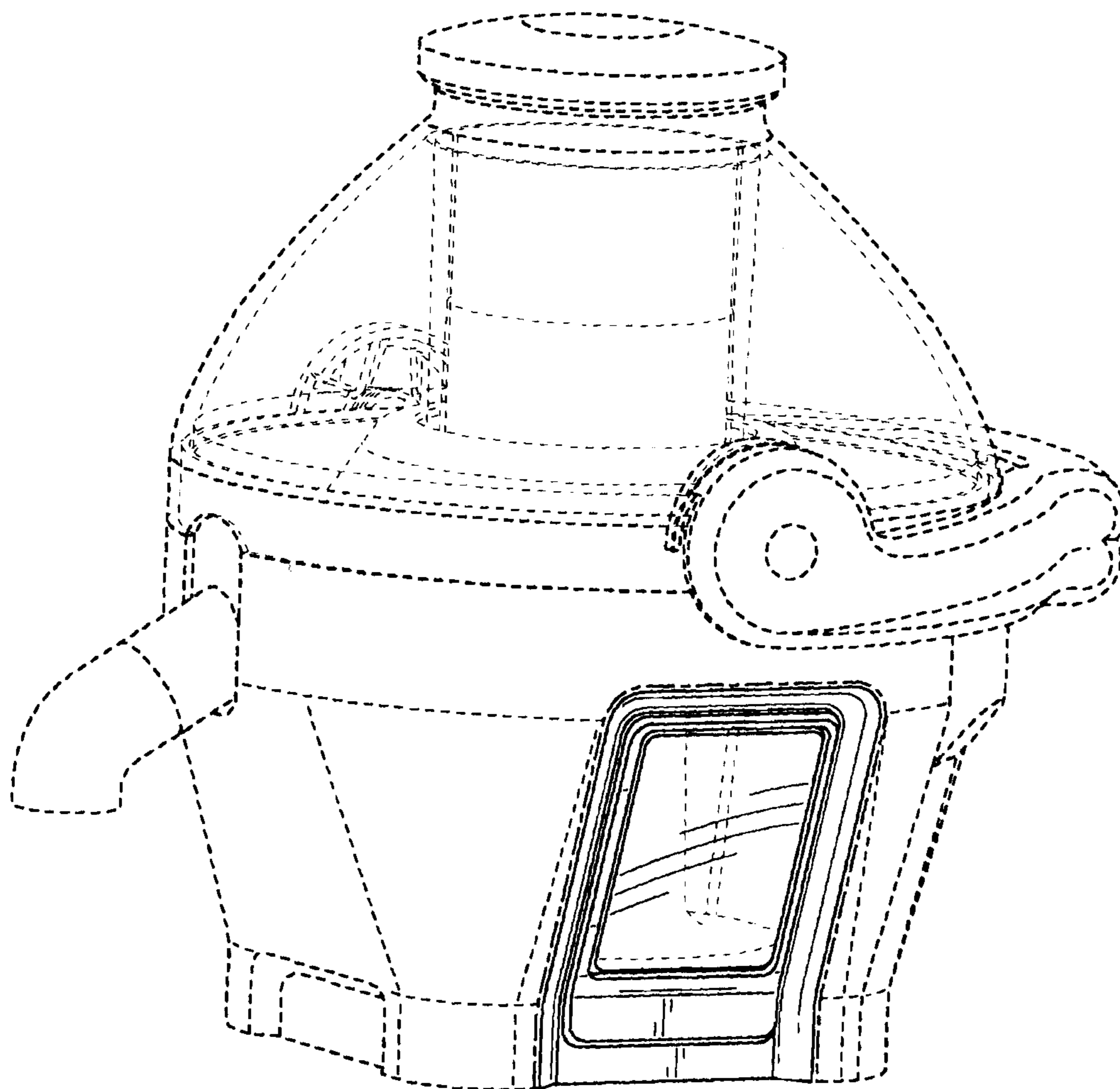


FIG. 1

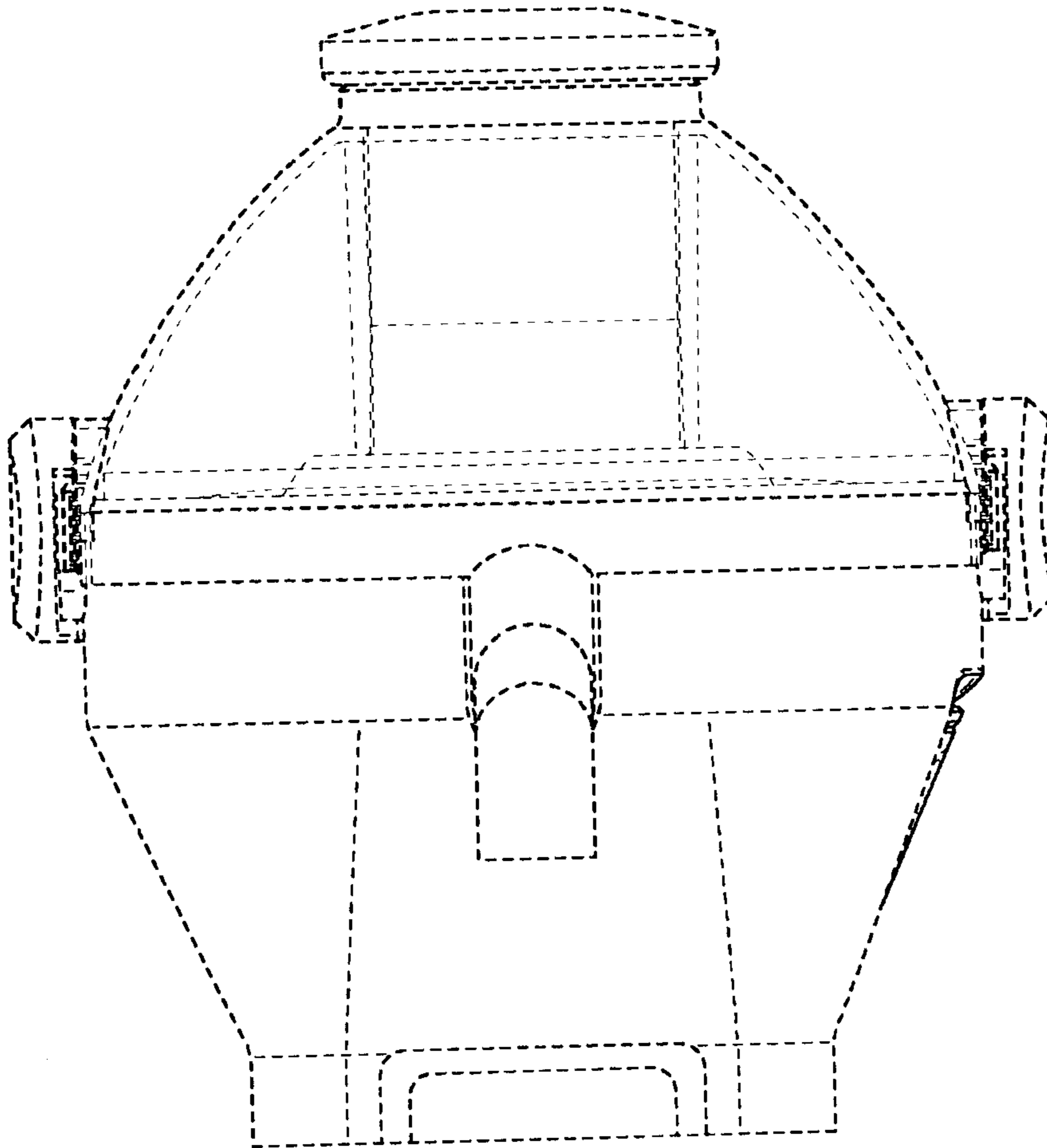


FIG. 2

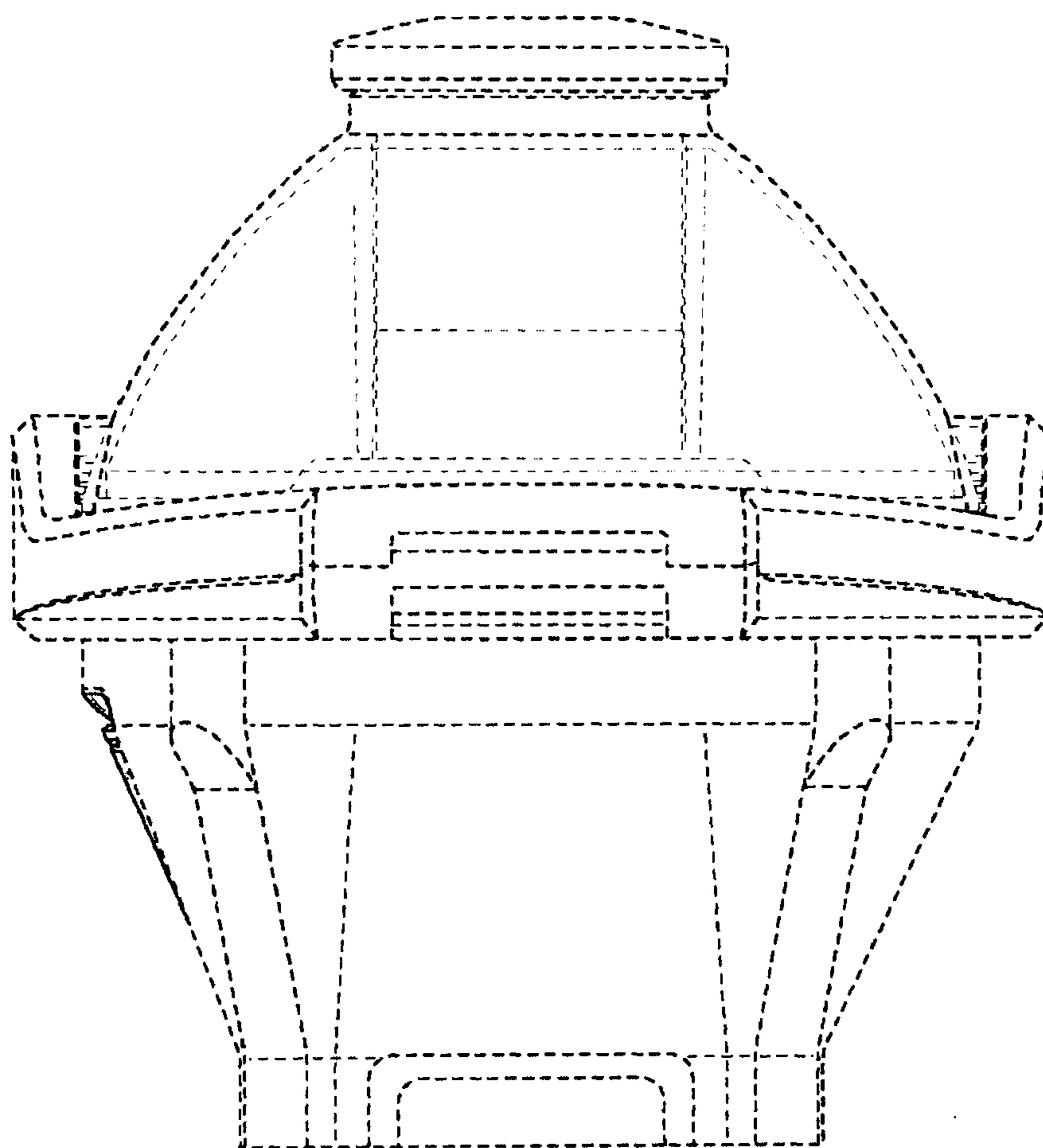


FIG. 3

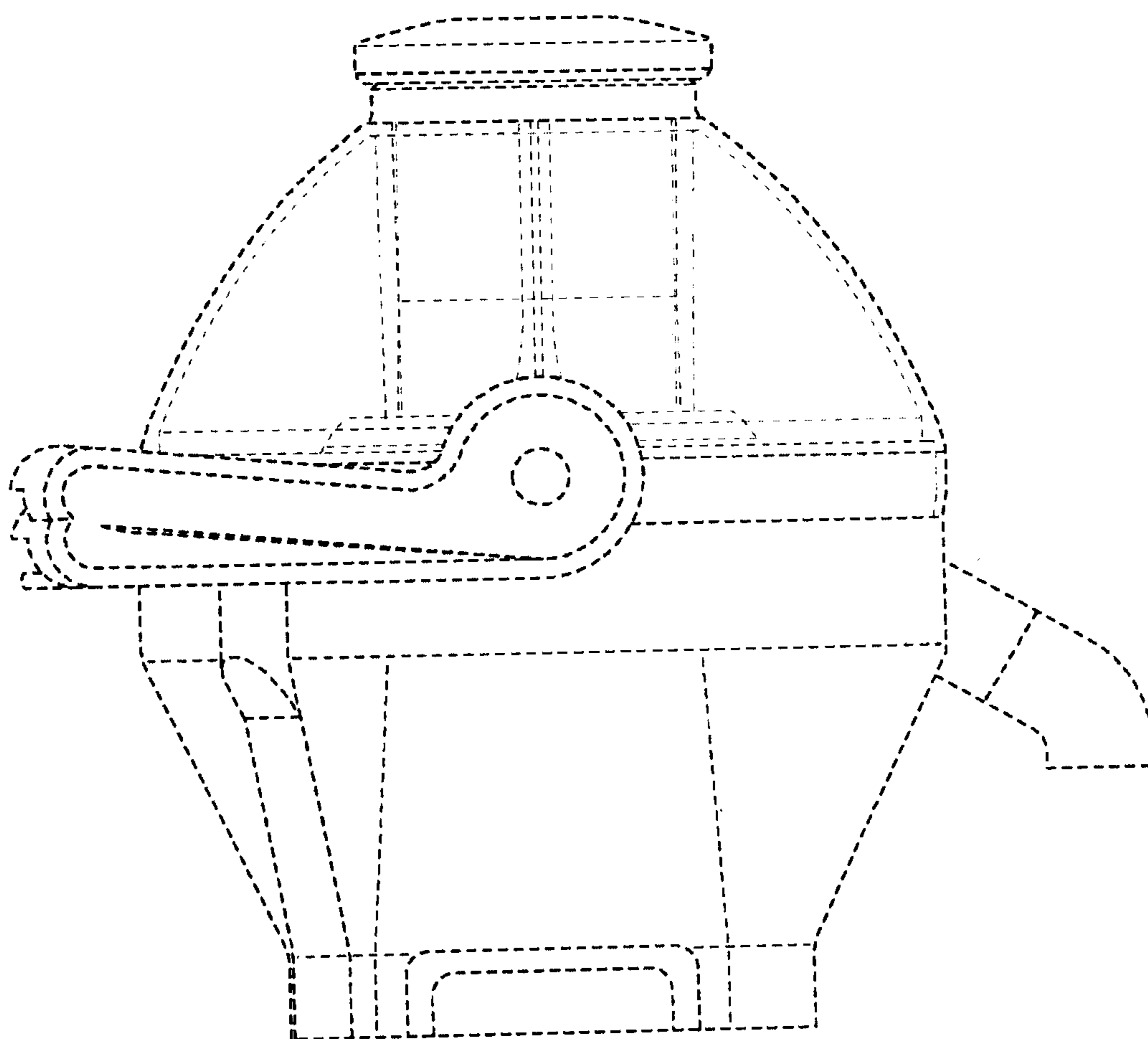


FIG. 4

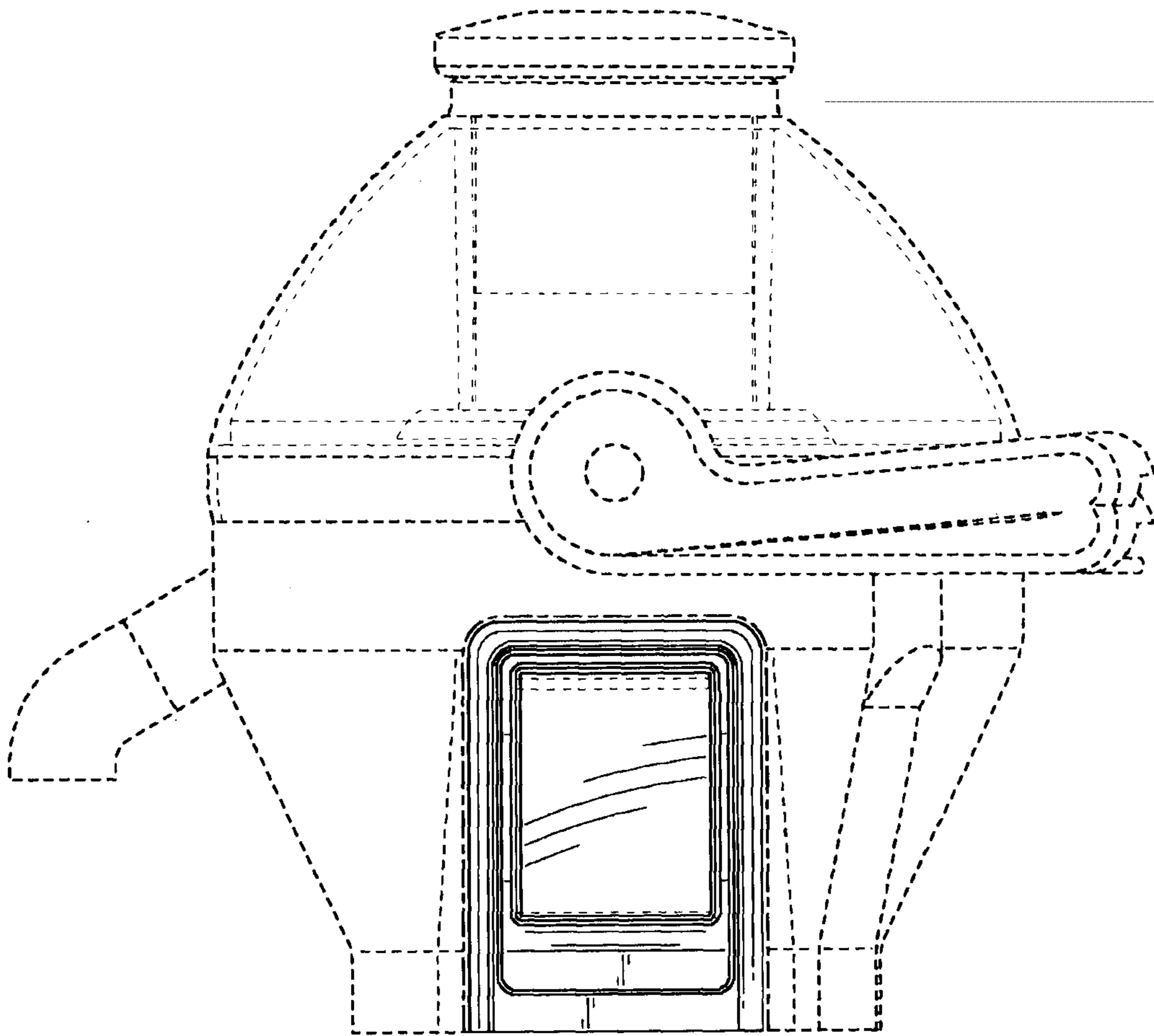


FIG. 5

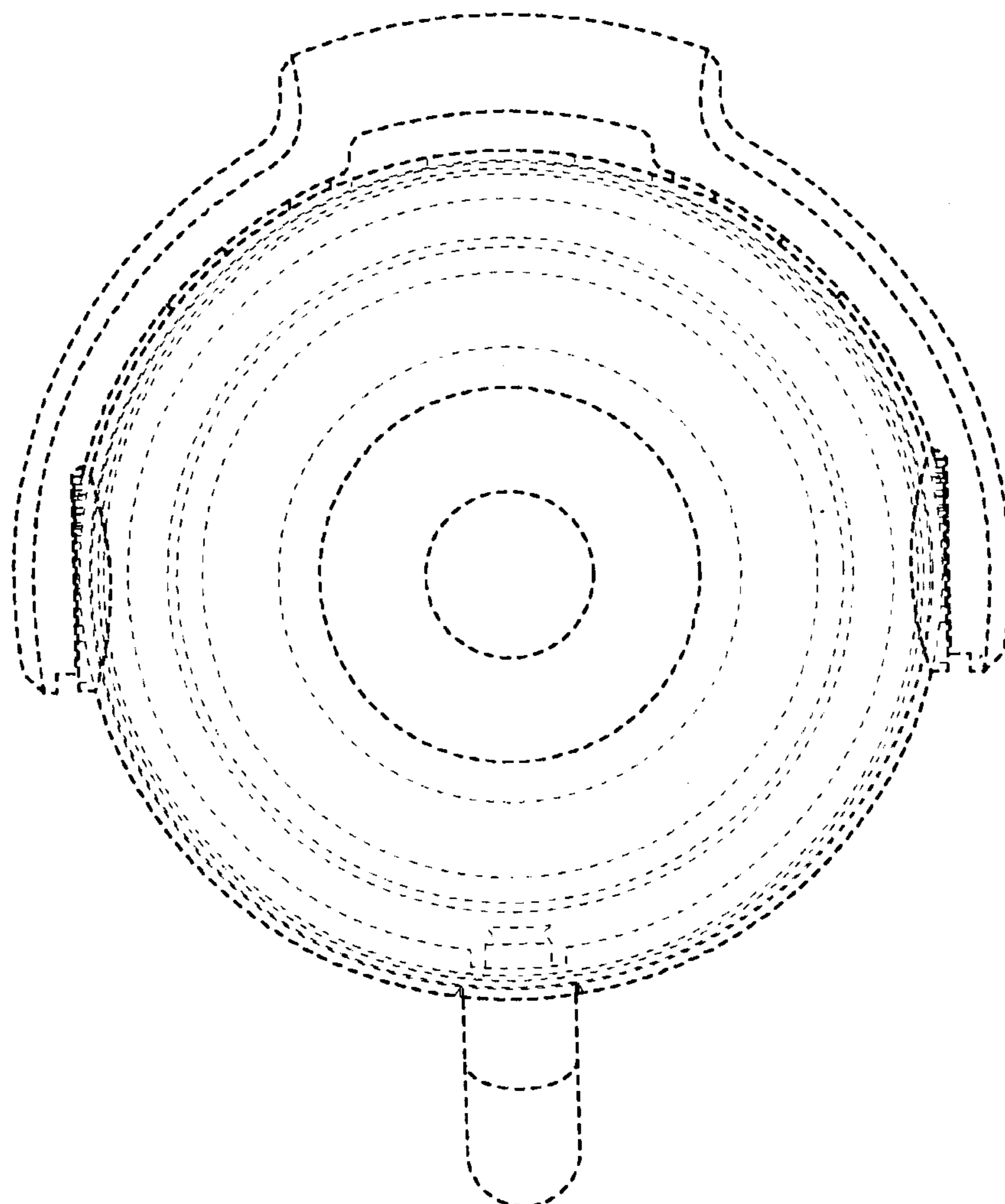


FIG. 6

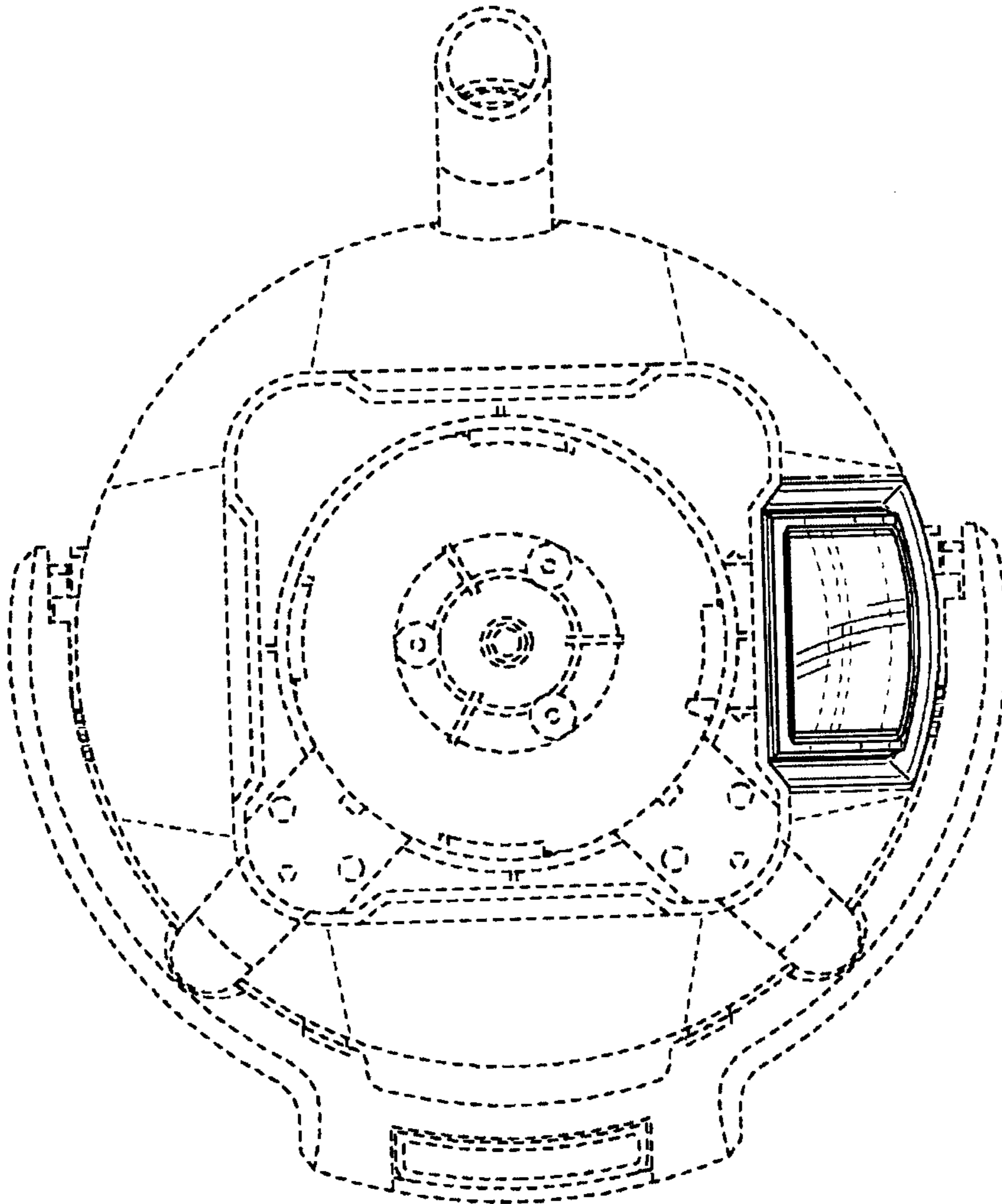


FIG. 7