



US00D701085S

(12) **United States Design Patent**
Coakley et al.

(10) **Patent No.:** **US D701,085 S**
(45) **Date of Patent:** **** Mar. 18, 2014**

(54) **JUICER**
(71) Applicant: **Euro-Pro Operating LLC**, Newton, MA (US)
(72) Inventors: **Devin Joseph Coakley**, Bellingham, MA (US); **Mark Allen Nichols**, Newton Highlands, MA (US)
(73) Assignee: **Euro-Pro Operating LLC**, Newton, MA (US)
(**) Term: **14 Years**

(21) Appl. No.: **29/447,080**
(22) Filed: **Feb. 28, 2013**
(51) **LOC (10) Cl.** **31-00**
(52) **U.S. Cl.**
USPC **D7/412**
(58) **Field of Classification Search**
USPC D7/665-667, 412, 376-386; 241/92, 241/101.1-101.7, 285.1-285.3; 99/501-513, 495, 499, 348, 357, 349, 99/369, 370; 366/98, 142, 197-211, 366/241-254, 279-292, 341-347; 100/213, 100/218, 283, 288
See application file for complete search history.

(56) **References Cited**
U.S. PATENT DOCUMENTS
D249,441 S * 9/1978 Fukumoto et al. D7/665

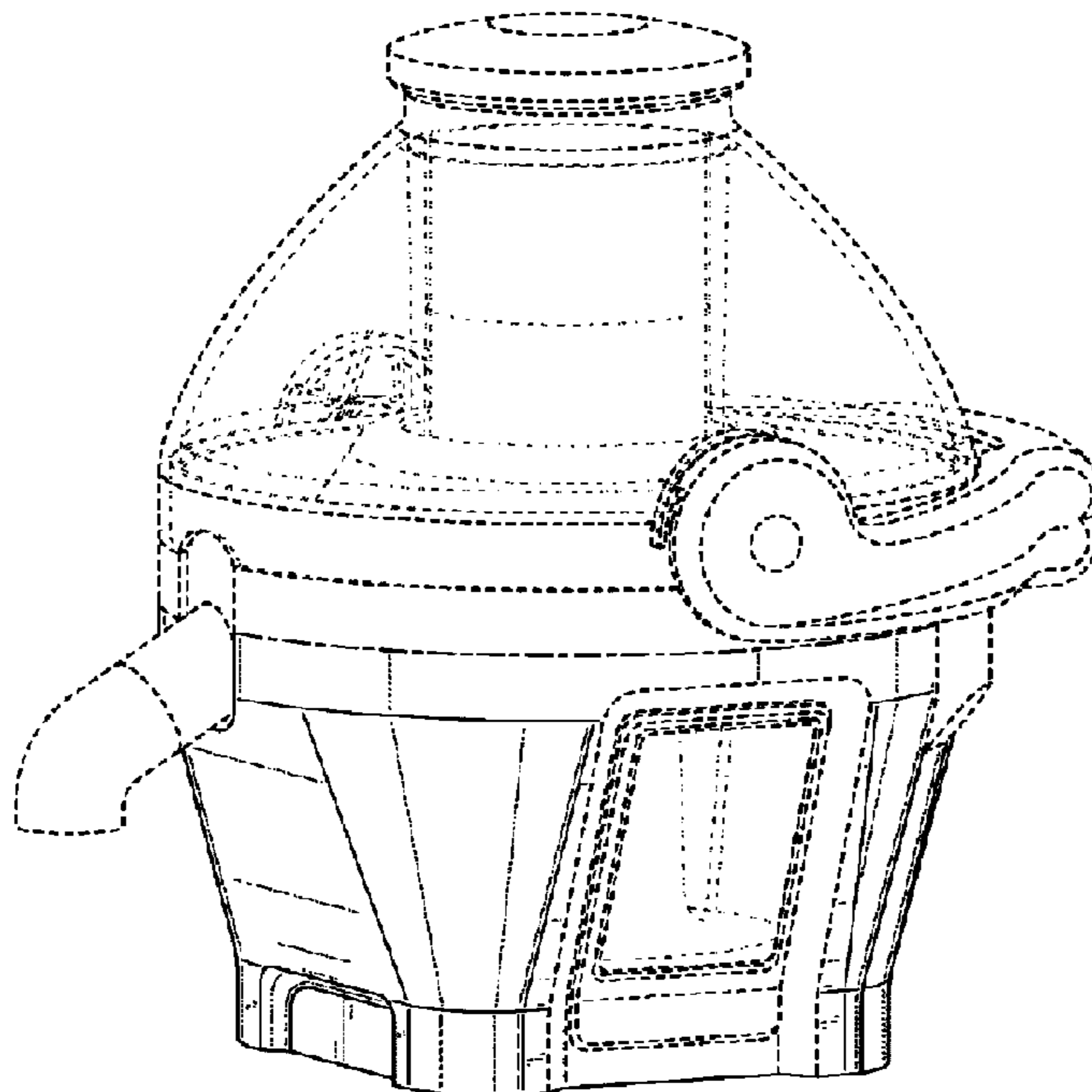
D290,677 S * 7/1987 Stutzer et al. D7/384
D318,402 S * 7/1991 Barrault D7/665
D333,412 S * 2/1993 Levin D7/665
D369,530 S * 5/1996 Risse D7/665
D475,582 S * 6/2003 To D7/665
D528,873 S * 9/2006 Hensel D7/665
D565,363 S * 4/2008 Fouquet D7/666
2011/0083566 A1* 4/2011 Backus 99/511

* cited by examiner
Primary Examiner — Terry Wallace
(74) *Attorney, Agent, or Firm* — Wolf, Greenfield & Sacks, P.C.

(57) **CLAIM**
The ornamental design for a juicer, as shown and described.

DESCRIPTION
FIG. 1 is a top, front, right side perspective view of a juicer showing our new design;
FIG. 2 is a front elevational view thereof;
FIG. 3 is a rear elevational view thereof;
FIG. 4 is a left side elevational view thereof;
FIG. 5 is a right side elevational view thereof;
FIG. 6 is a top plan view thereof; and,
FIG. 7 is a bottom plan view thereof.
The broken lines of FIGS. 1-7 illustrate portions of the juicer that form no part of the claimed design. The dash-dot-dash broken lines shown in FIGS. 1-5 define boundaries of the claimed design.

1 Claim, 7 Drawing Sheets



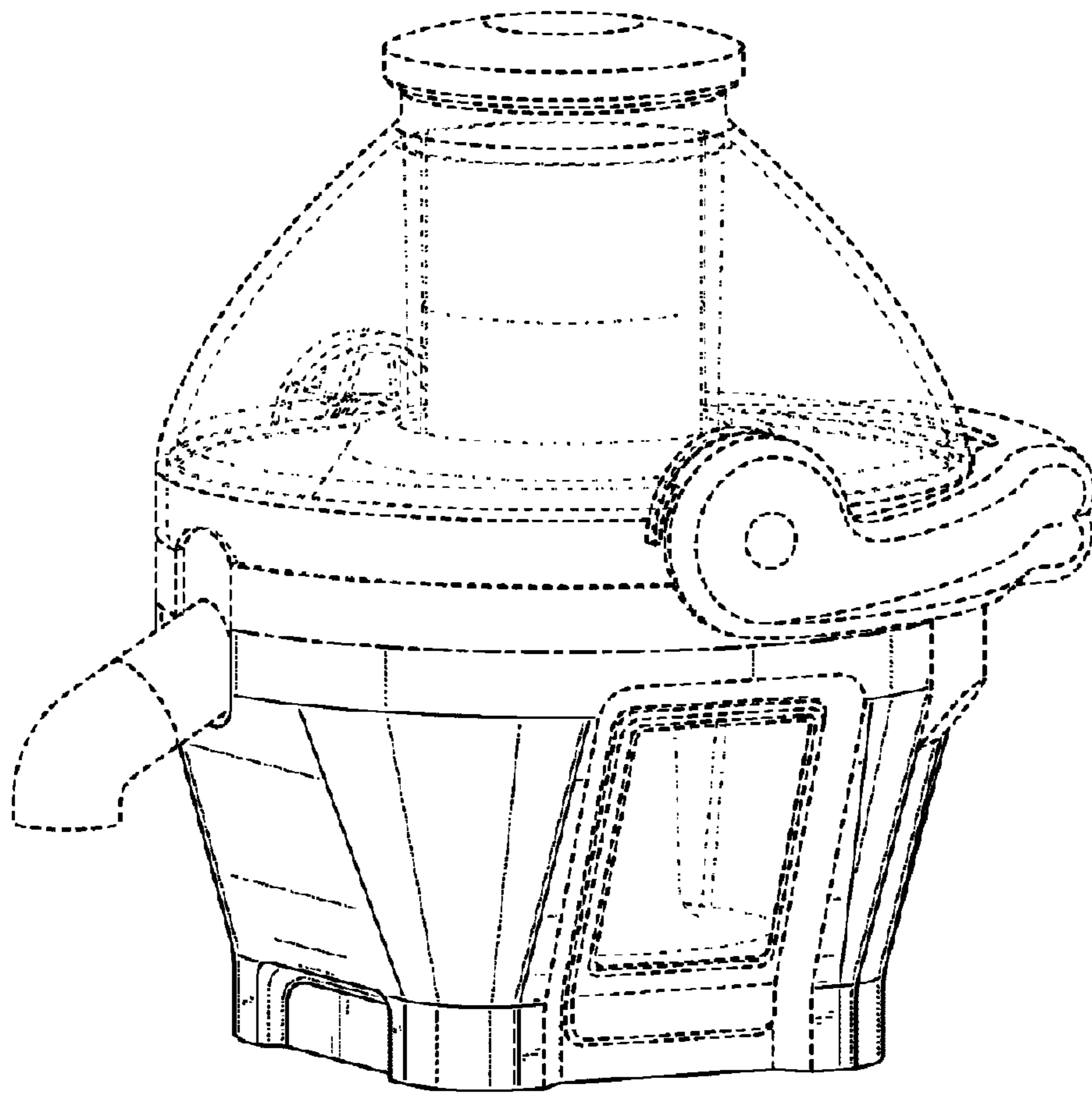


FIG. 1

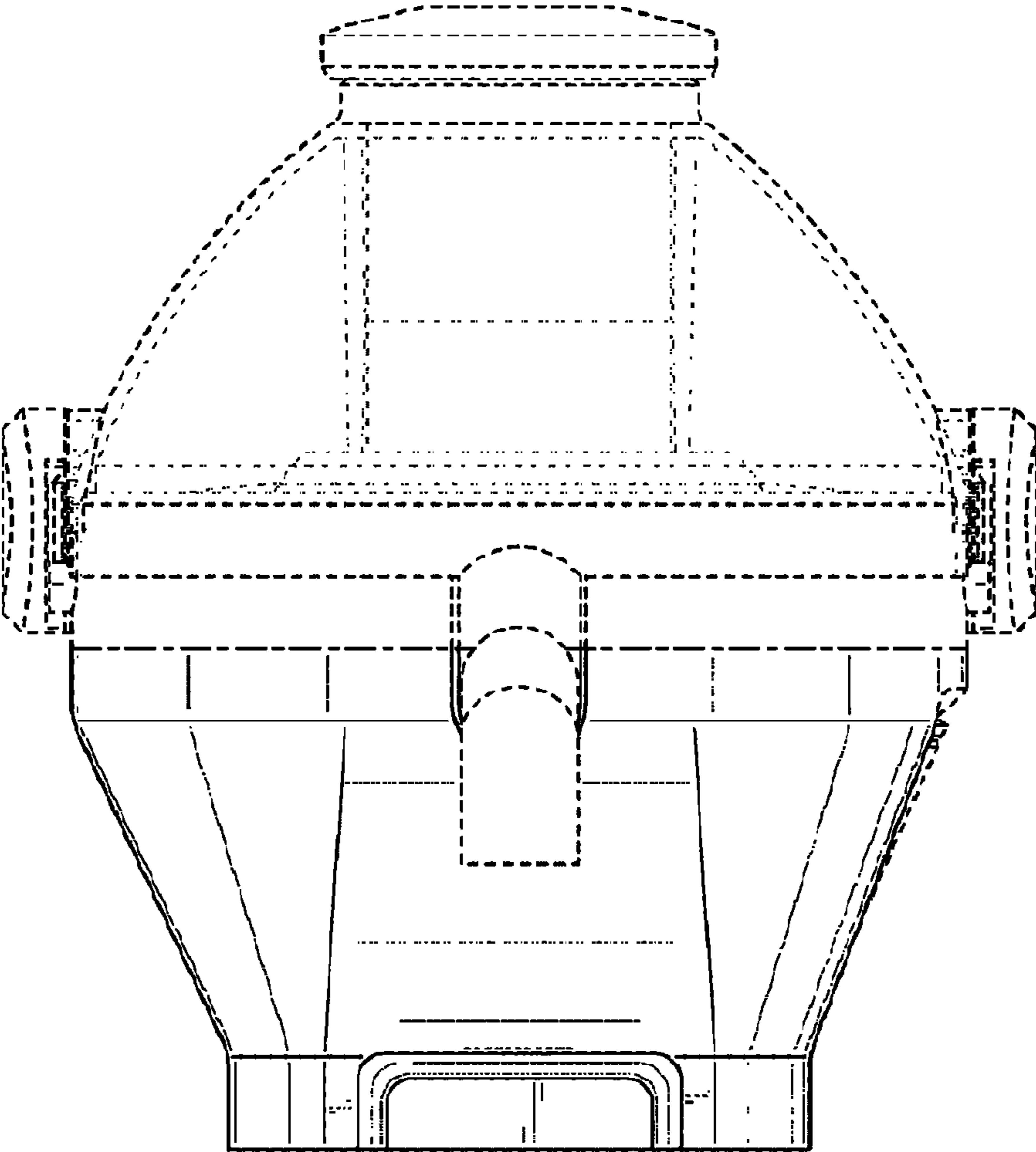


FIG. 2

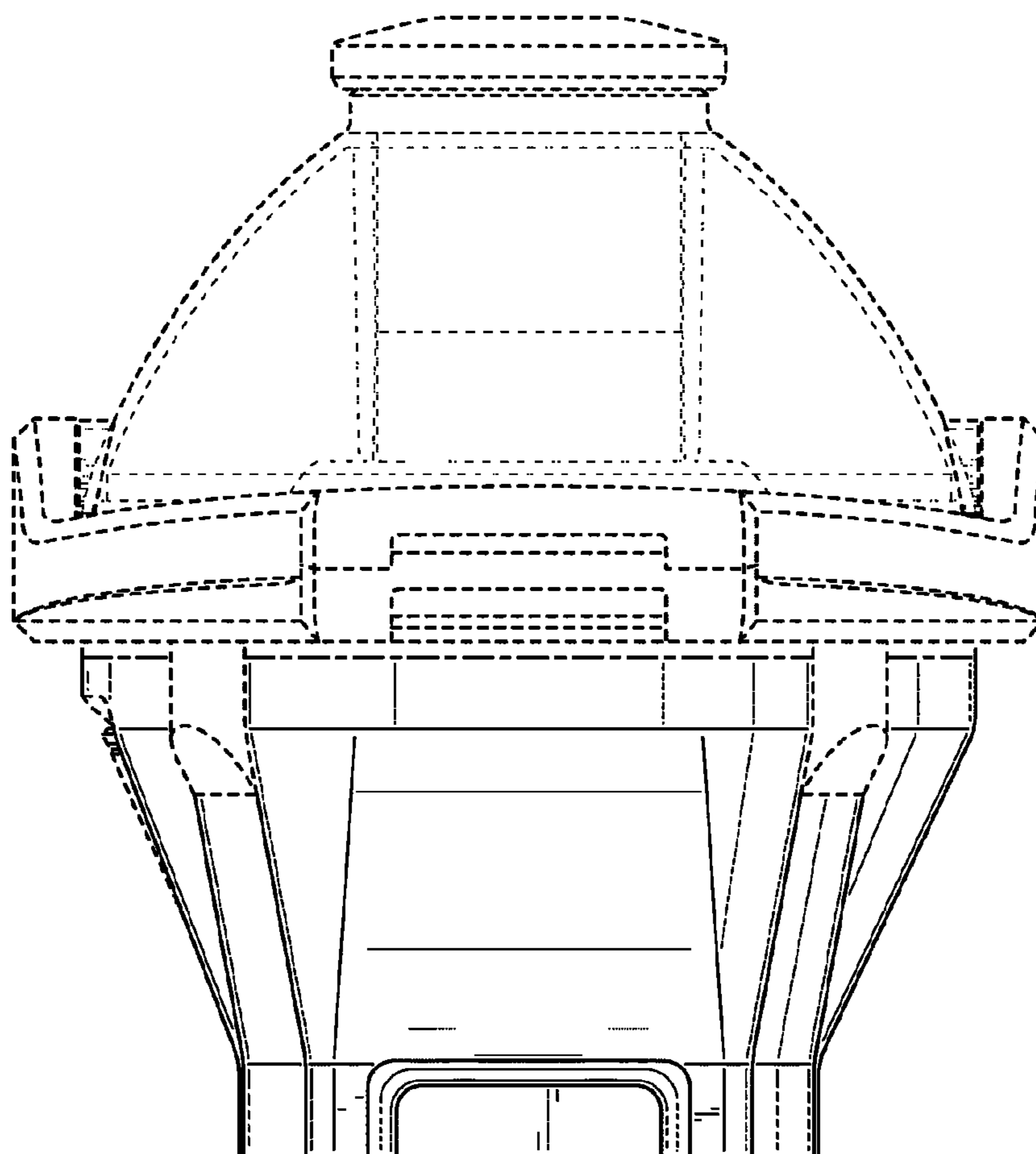


FIG. 3

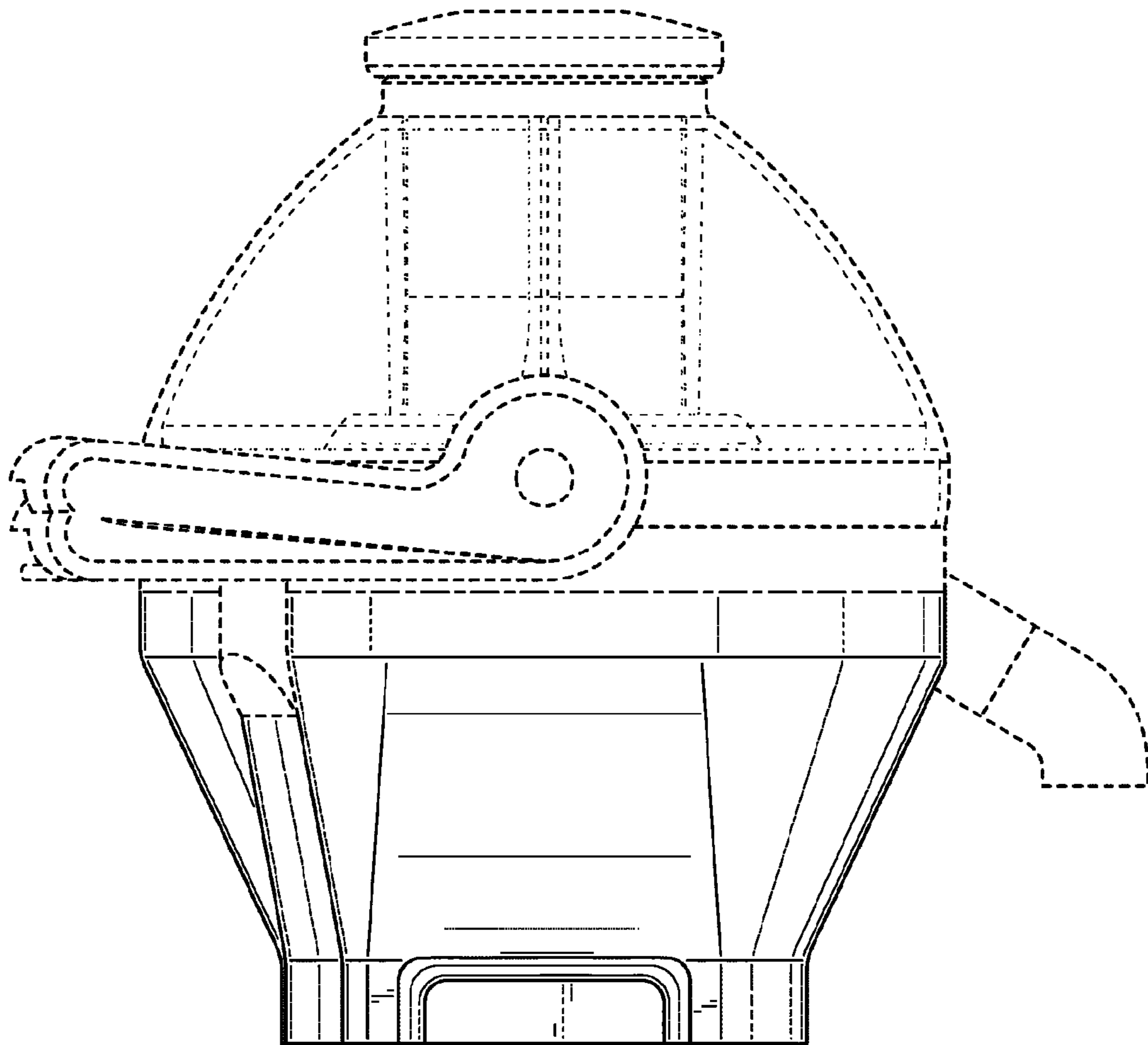


FIG. 4

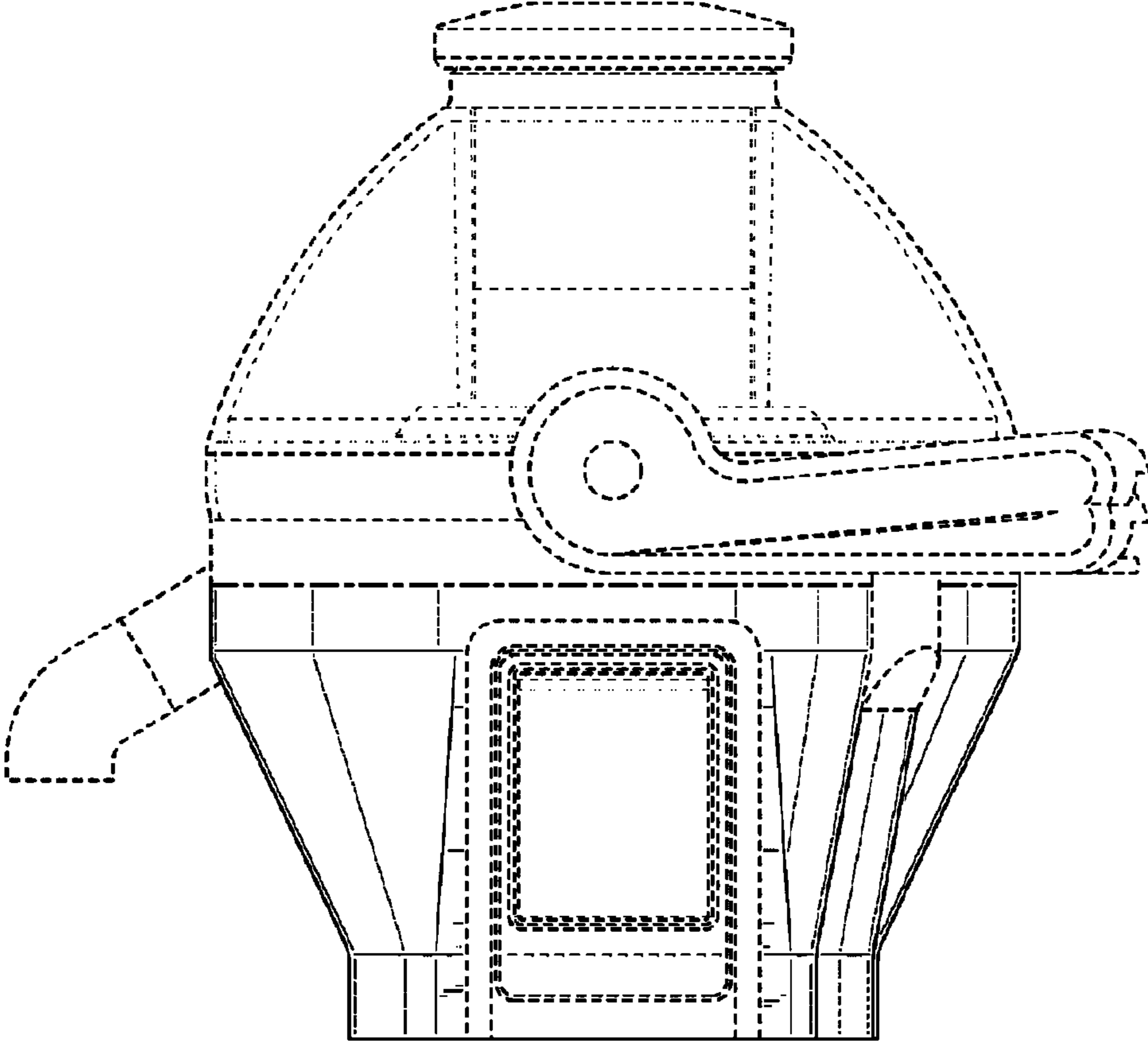


FIG. 5

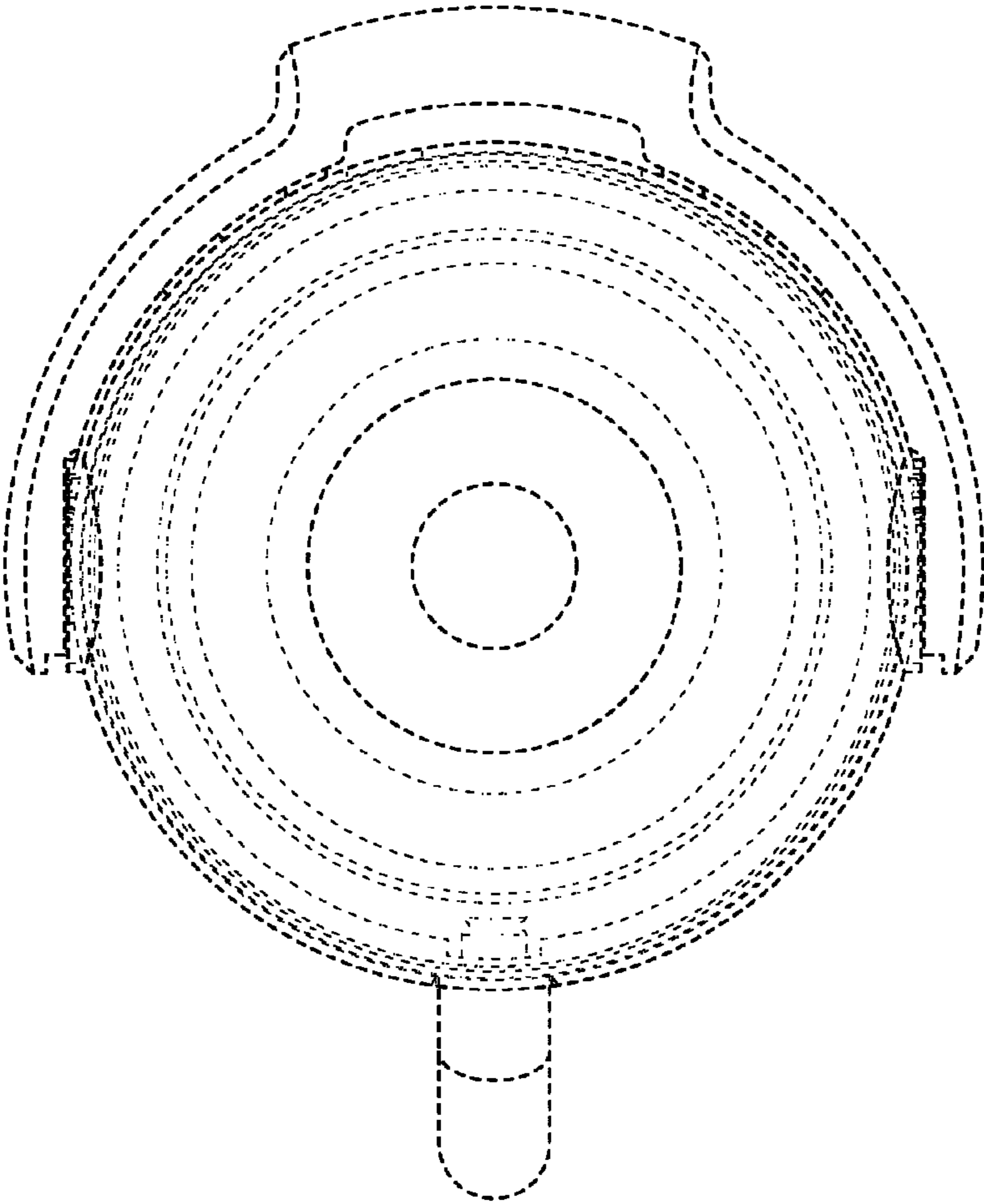


FIG. 6

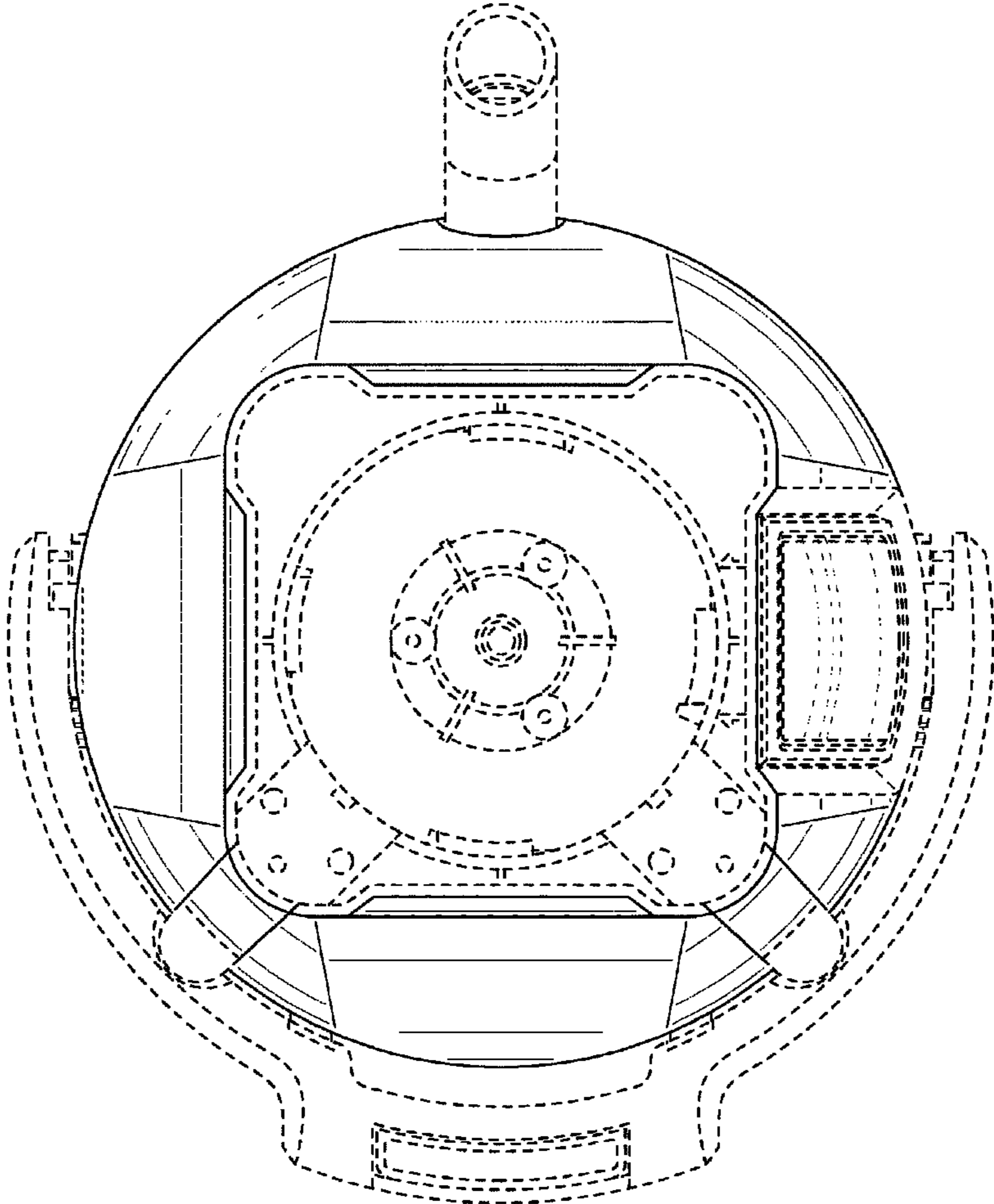


FIG. 7

UNITED STATES PATENT AND TRADEMARK OFFICE
CERTIFICATE OF CORRECTION

PATENT NO. : D701,085 S
APPLICATION NO. : 29/447080
DATED : March 18, 2014
INVENTOR(S) : Devin Joseph Coakley et al.

Page 1 of 8

It is certified that error appears in the above-identified patent and that said Letters Patent is hereby corrected as shown below:

The title page should be deleted and substitute therefor the attached title page.

In the Drawings:

Delete Figures 2-7 and replace with attached Figures 2-7.

Signed and Sealed this
Fourteenth Day of October, 2014



Michelle K. Lee
Deputy Director of the United States Patent and Trademark Office

(12) **United States Design Patent** (10) **Patent No.:** **US D701,085 S**
Coakley et al. (45) **Date of Patent:** **** Mar. 18, 2014**

(54) **JUICER**
 (71) Applicant: **Euro-Pro Operating LLC**, Newton, MA (US)
 (72) Inventors: **Devin Joseph Coakley**, Bellingham, MA (US); **Mark Allen Nichols**, Newton Highlands, MA (US)
 (73) Assignee: **Euro-Pro Operating LLC**, Newton, MA (US)
 (**) Term: **14 Years**

D290,677 S * 7/1987 Stitzer et al. D7/384
 D318,402 S * 7/1991 Barrault D7/665
 D333,412 S * 2/1993 Levin D7/665
 D369,530 S * 5/1996 Risse D7/665
 D475,582 S * 6/2003 To D7/665
 D528,873 S * 9/2006 Hensel D7/665
 D565,363 S * 4/2008 Fouquet D7/666
 2011/0083566 A1 * 4/2011 Backus 99/511

* cited by examiner
 Primary Examiner -- Terry Wallace
 (74) Attorney, Agent, or Firm -- Wolf, Greenfield & Sacks, P.C.

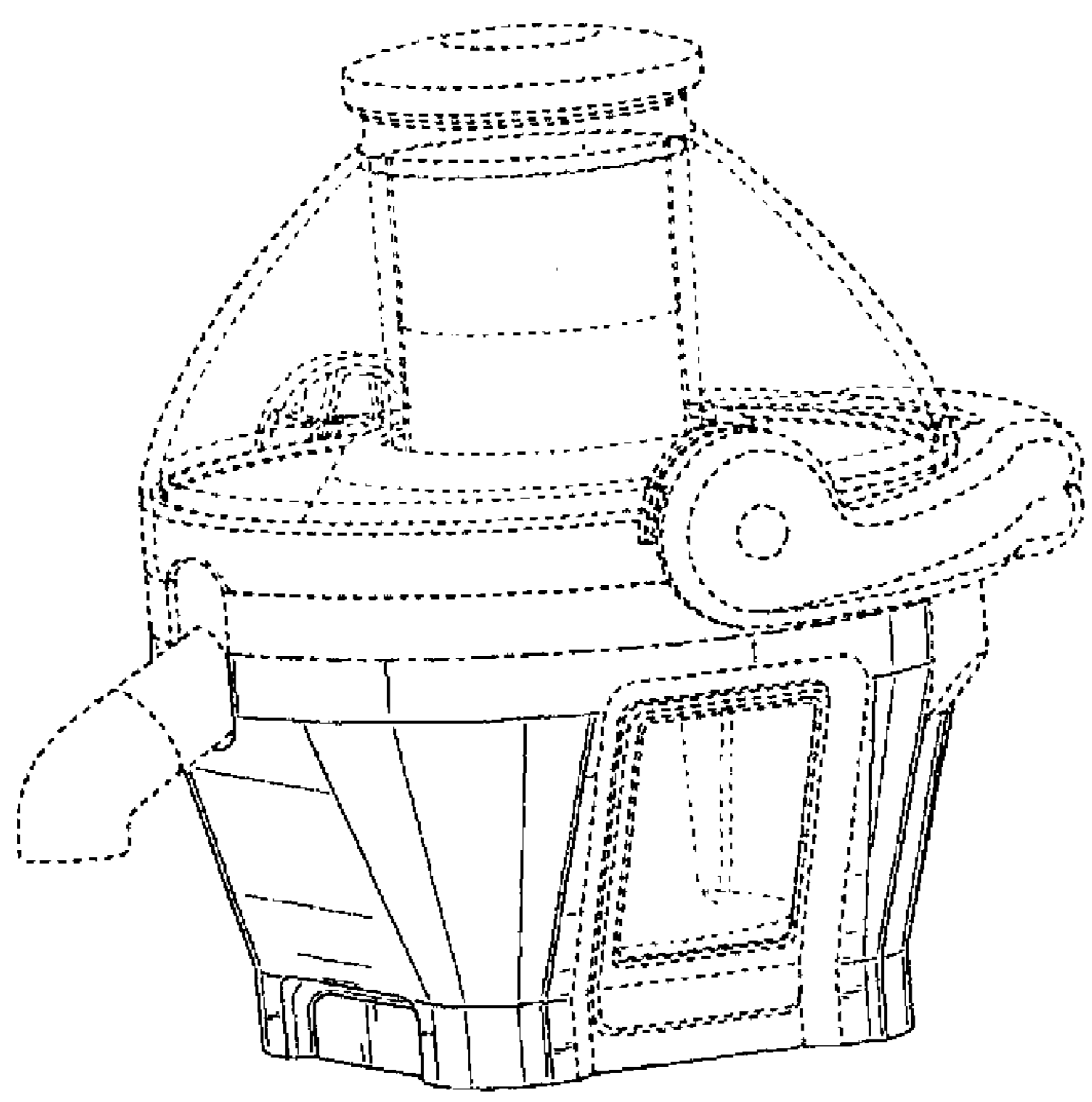
(21) Appl. No.: **29/447,080**
 (22) Filed: **Feb. 28, 2013**
 (51) LOC (10) Cl. **31-00**
 (52) U.S. Cl. **D7/412**
 USPC
 (58) **Field of Classification Search**
 USPC D7/665-667, 412, 376-386; 241/92, 241/101.1-101.7, 285.1-285.3; 99/501-513, 495, 499, 348, 357, 349, 99/369, 370; 366/98, 142, 197-211, 366/241-254, 279-292, 341-347; 100/213, 100/218, 283, 288
 See application file for complete search history.

(57) **CLAIM**
 The ornamental design for a juicer, as shown and described.

DESCRIPTION
 FIG. 1 is a top, front, right side perspective view of a juicer showing our new design;
 FIG. 2 is a front elevational view thereof;
 FIG. 3 is a rear elevational view thereof;
 FIG. 4 is a left side elevational view thereof;
 FIG. 5 is a right side elevational view thereof;
 FIG. 6 is a top plan view thereof; and,
 FIG. 7 is a bottom plan view thereof.
 The broken lines of FIGS. 1-7 illustrate portions of the juicer that form no part of the claimed design. The dash-dot-dash broken lines shown in FIGS. 1-5 define boundaries of the claimed design.

(56) **References Cited**
 U.S. PATENT DOCUMENTS
 D249,441 S * 9/1978 Fukumoto et al. D7/665

1 Claim, 7 Drawing Sheets



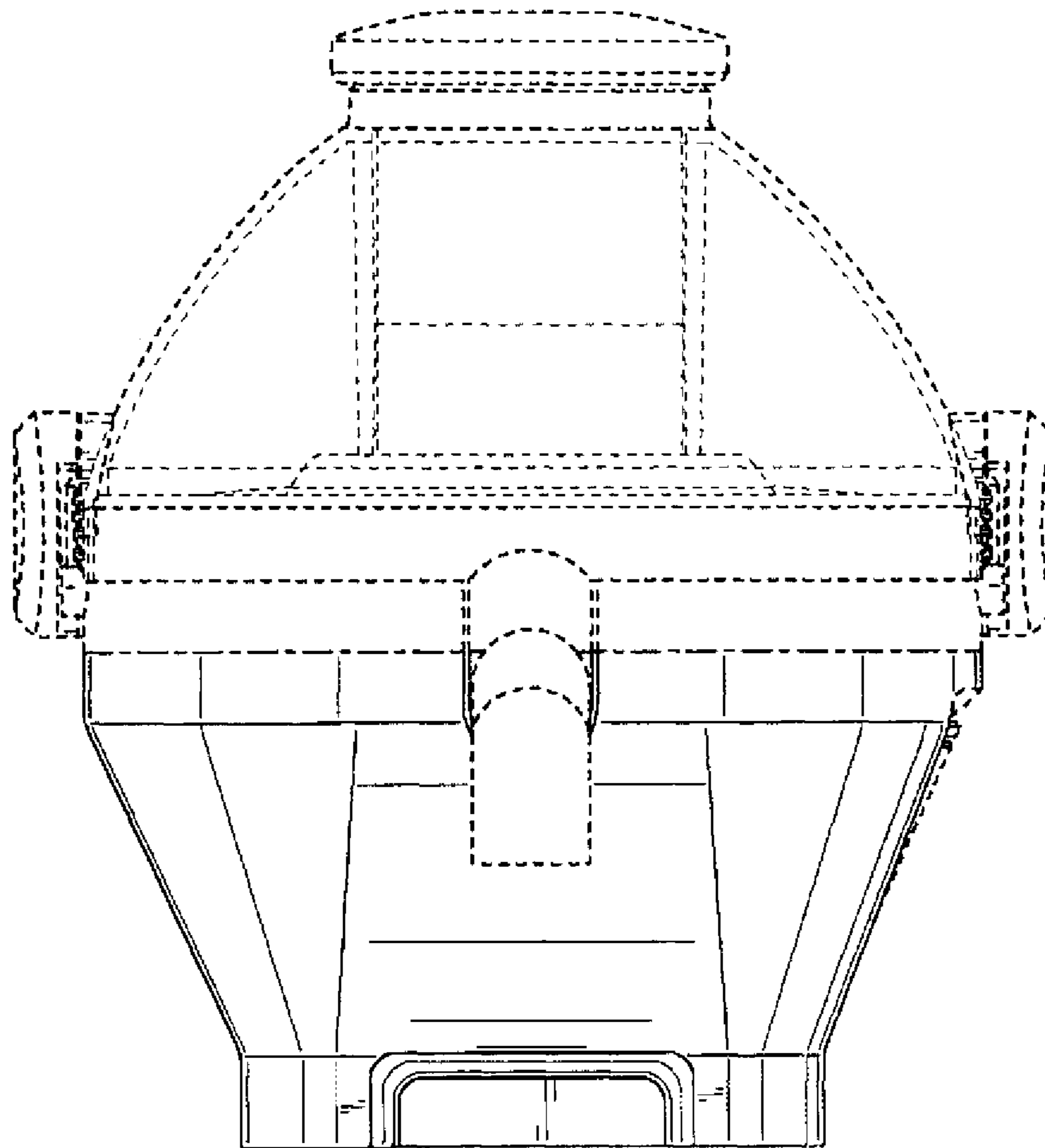


FIG. 2

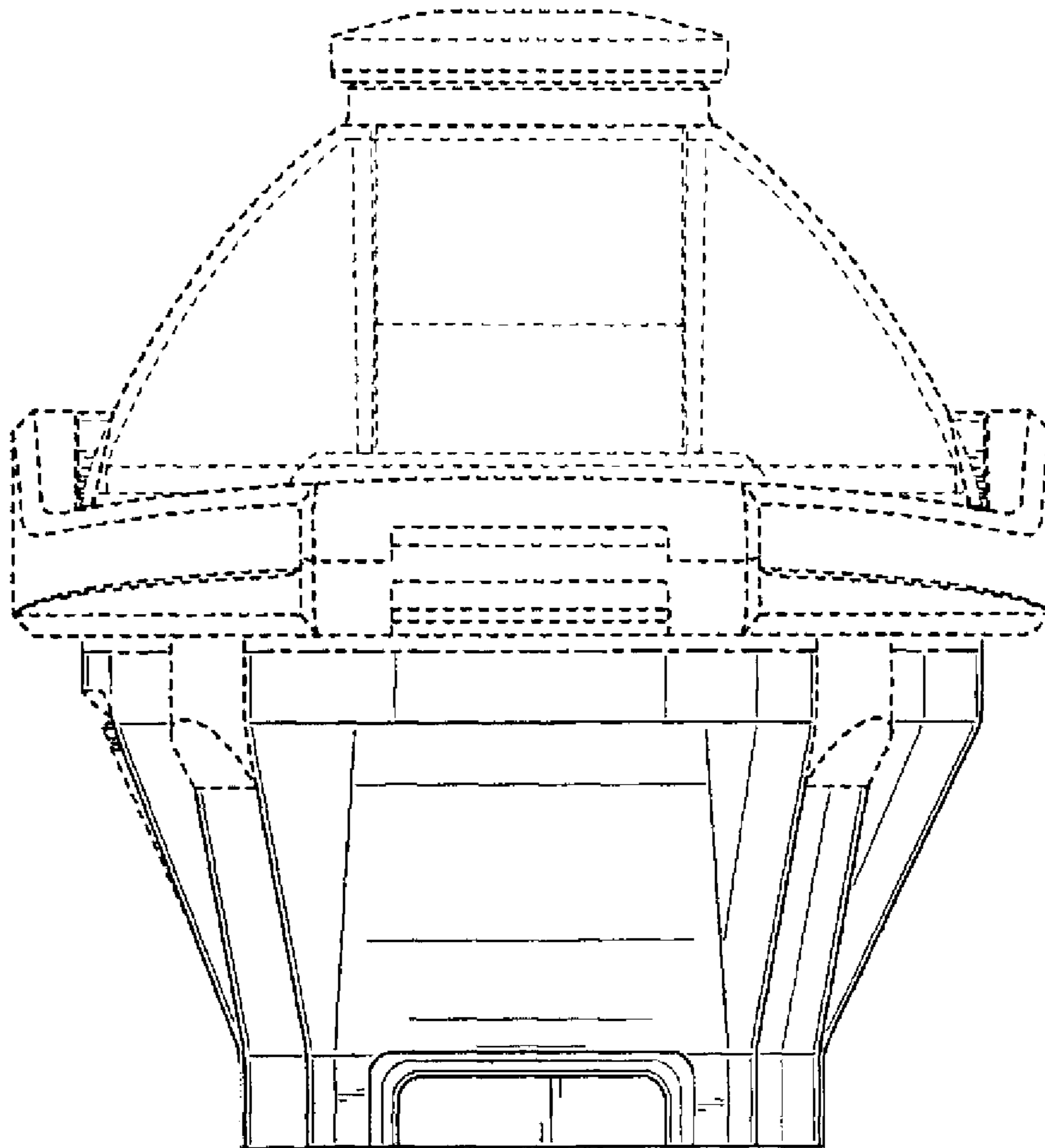


FIG. 3

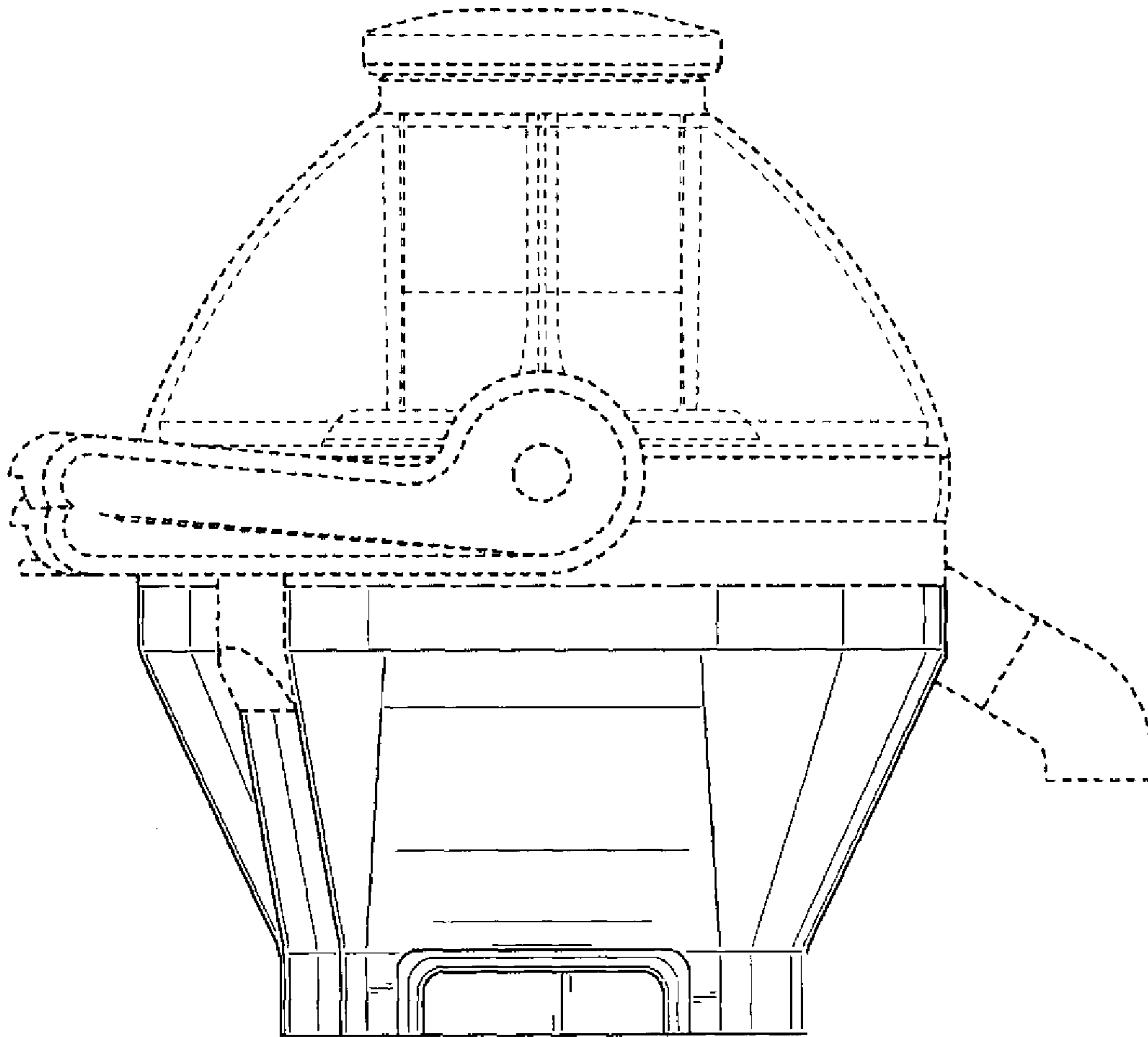


FIG. 4

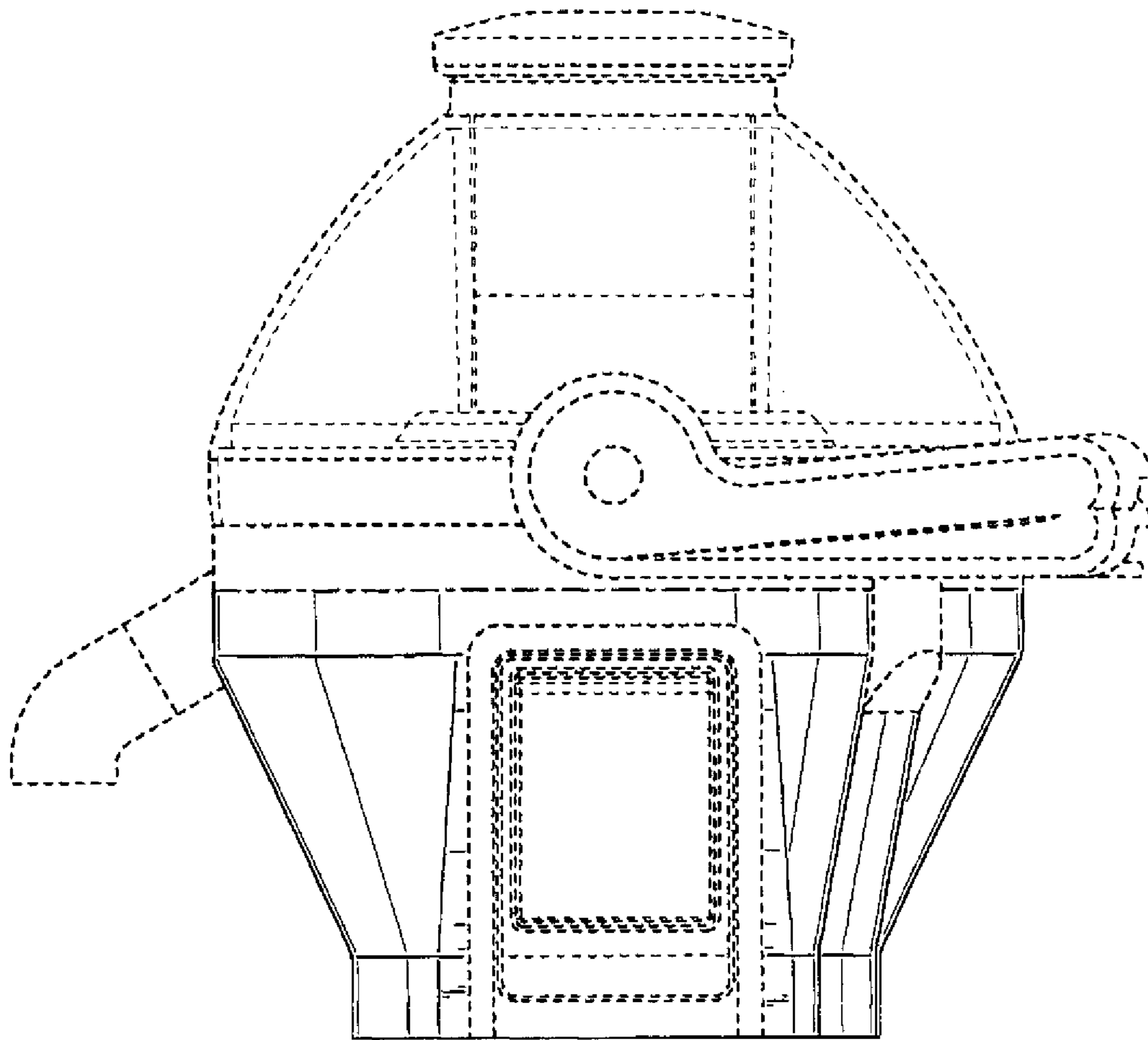


FIG. 5

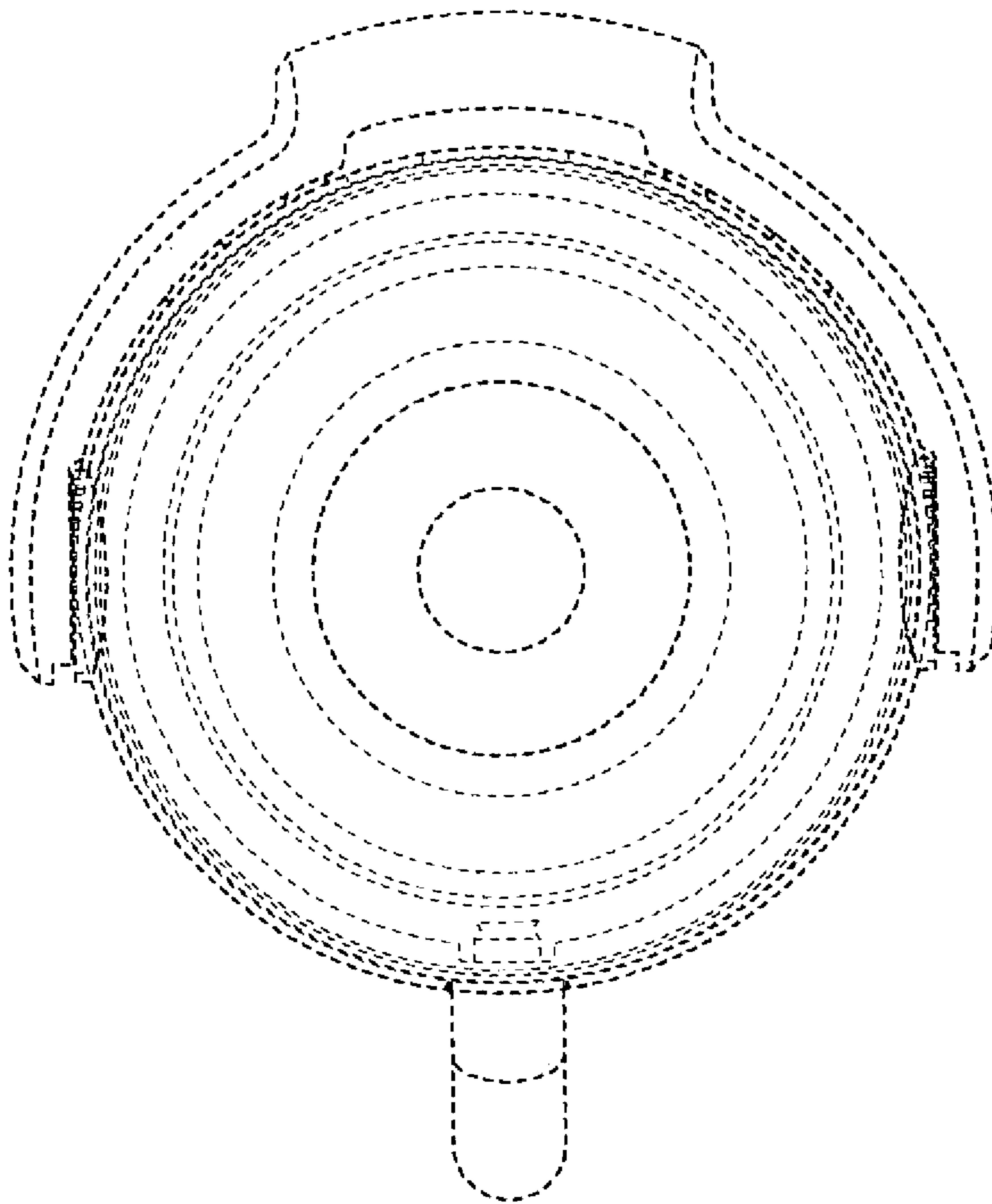


FIG. 6

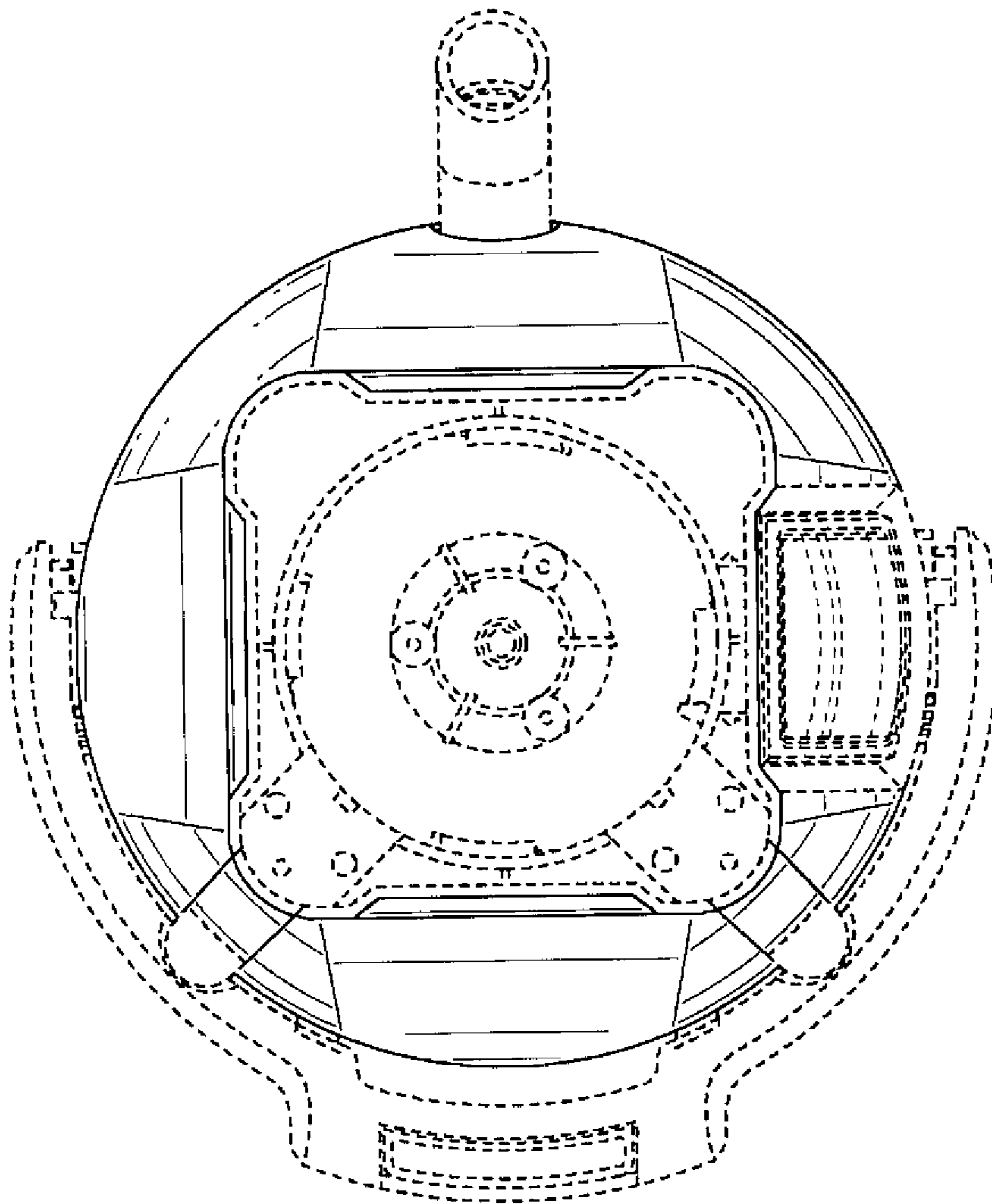


FIG. 7

UNITED STATES PATENT AND TRADEMARK OFFICE
CERTIFICATE OF CORRECTION

PATENT NO. : D701,085 S
APPLICATION NO. : 29/447080
DATED : March 18, 2014
INVENTOR(S) : Devin Joseph Coakley et al.

Page 1 of 9

It is certified that error appears in the above-identified patent and that said Letters Patent is hereby corrected as shown below:

The title page should be deleted and substitute therefor the attached title page.

In the Drawings:

Delete Figures 1-7 and replace with attached Figures 1-7.

This certificate supersedes the Certificate of Correction issued October 14, 2014.

Signed and Sealed this
Thirteenth Day of January, 2015



Michelle K. Lee
Deputy Director of the United States Patent and Trademark Office

(12) **United States Design Patent**
Coakley et al.

(10) **Patent No.:** **US D701,085 S**
(45) **Date of Patent:** **** Mar. 18, 2014**

(54) **JUICER**

(71) **Applicant:** **Euro-Pro Operating LLC, Newton, MA (US)**

(72) **Inventors:** **Devin Joseph Coakley, Bellingham, MA (US); Mark Allen Nichols, Newton Highlands, MA (US)**

(73) **Assignee:** **Euro-Pro Operating LLC, Newton, MA (US)**

(**)**Term:** **14 Years**

(21) **Appl. No.:** **29/447,080**

(22) **Filed:** **Feb. 28, 2013**

(51) **LOC (10) Cl.** **31-00**

(52) **U.S. Cl.**
USPC **D7/412**

(58) **Field of Classification Search**
USPC **D7/665-667, 412, 376-386; 241/92, 241/101.1-101.7, 285.1-285.3; 99/501-513, 495, 499, 348, 357, 349, 99/369, 370; 366/98, 142, 197-211, 366/241-254, 279-292, 341-347; 100/213, 100/218, 283, 288**

See application file for complete search history.

(56) **References Cited**

U.S. PATENT DOCUMENTS

D249,441 S • 9/1978 Fukumoto et al. D7/665

D290,677 S • 7/1987 Stutzer et al. D7/384
D318,402 S • 7/1991 Barrauli D7/665
D333,412 S • 2/1993 Levin D7/665
D369,530 S • 5/1996 Risse D7/665
D475,582 S • 6/2003 To D7/665
D528,873 S • 9/2006 Hensel D7/665
D565,363 S • 4/2008 Fouquet D7/666
2011/0083566 A1 • 4/2011 Backus 99/511

* cited by examiner

Primary Examiner — Terry Wallace

(74) *Attorney, Agent, or Firm* — Wolf, Greenfield & Sacks, P.C.

(57) **CLAIM**

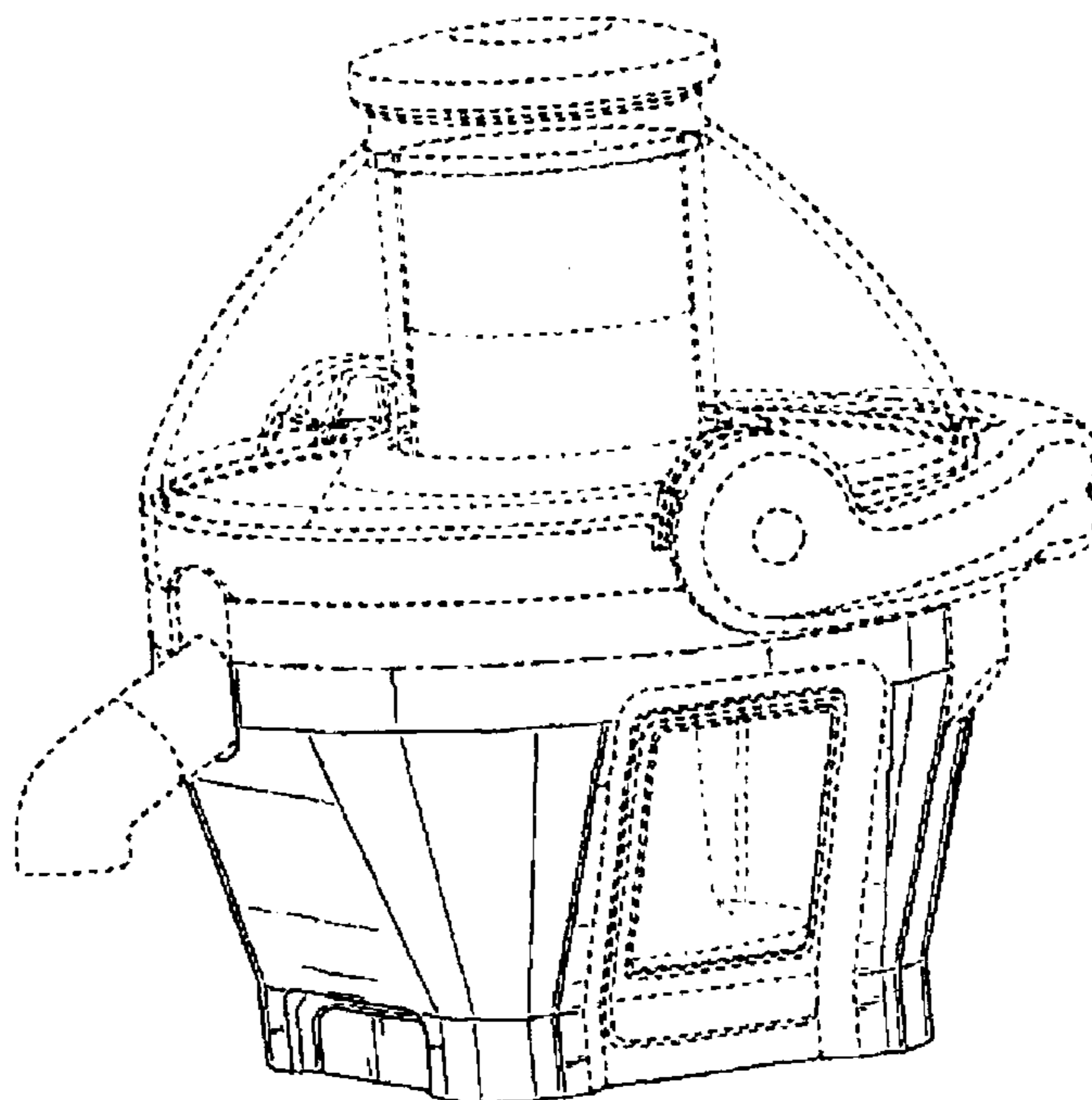
The ornamental design for a juicer, as shown and described.

DESCRIPTION

FIG. 1 is a top, front, right side perspective view of a juicer showing our new design; FIG. 2 is a front elevational view thereof; FIG. 3 is a rear elevational view thereof; FIG. 4 is a left side elevational view thereof; FIG. 5 is a right side elevational view thereof; FIG. 6 is a top plan view thereof; and, FIG. 7 is a bottom plan view thereof.

The broken lines of FIGS. 1-7 illustrate portions of the juicer that form no part of the claimed design. The dash-dot-dash broken lines shown in FIGS. 1-5 define boundaries of the claimed design.

1 Claim, 7 Drawing Sheets



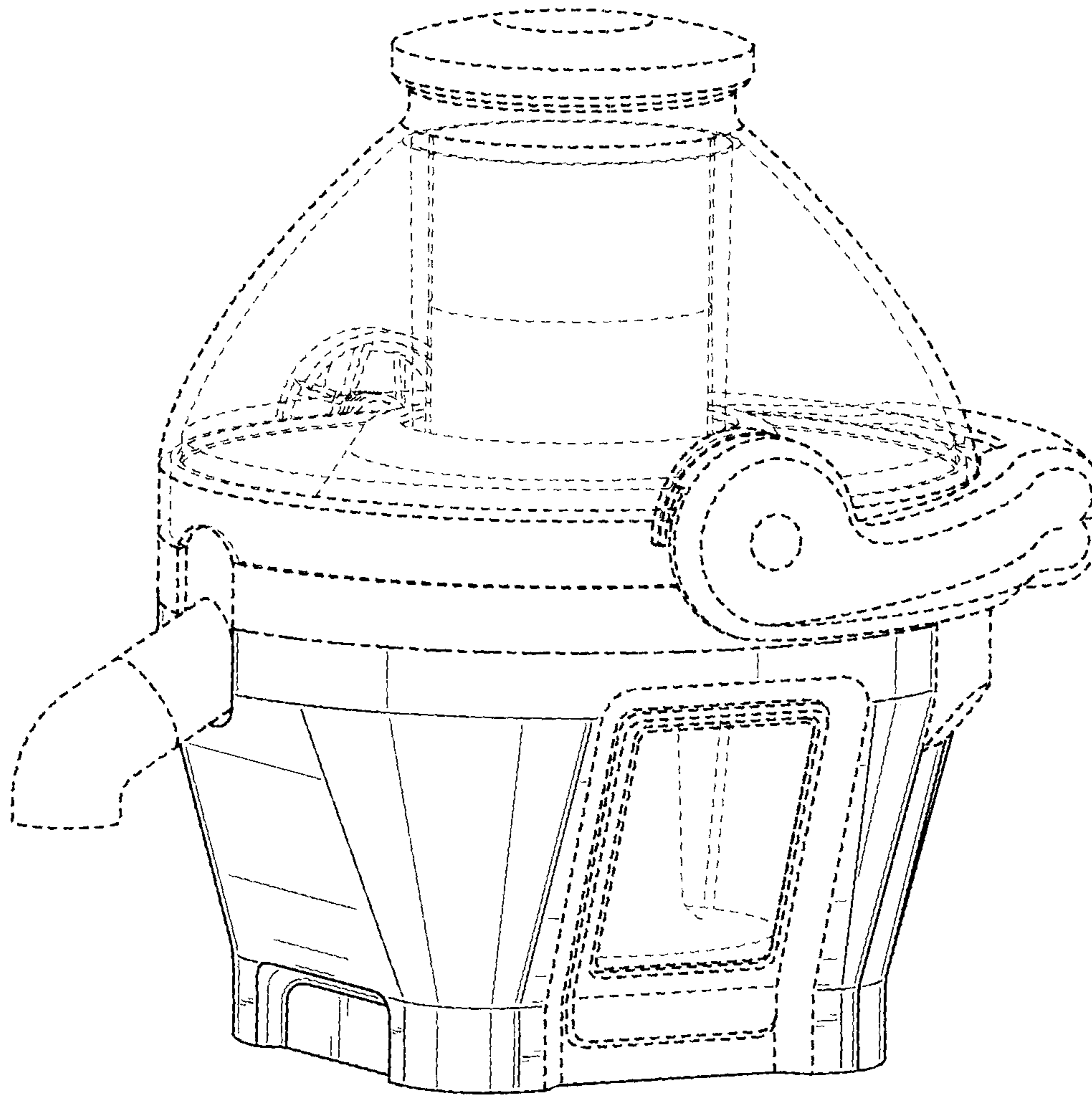


FIG. 1

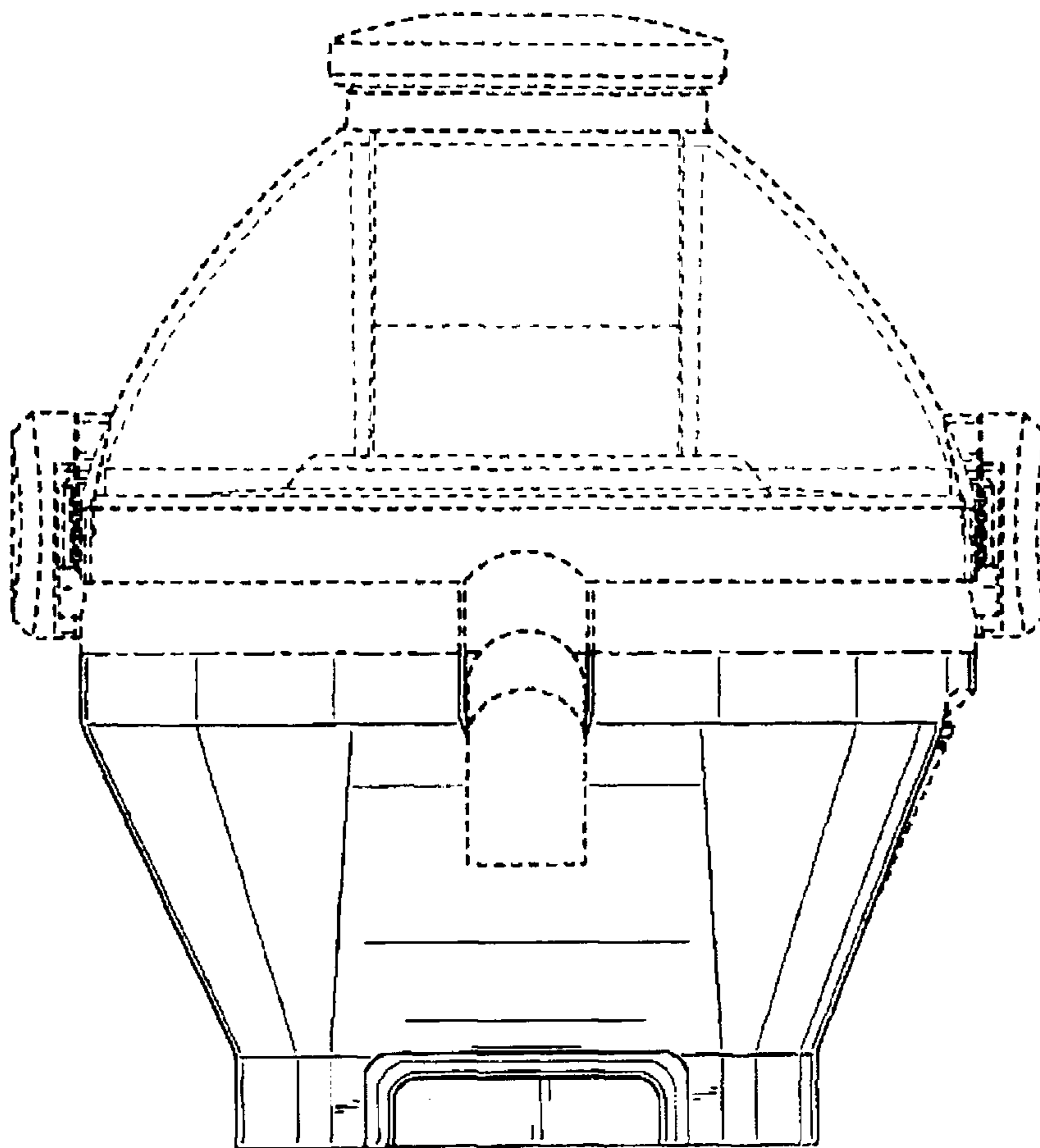


FIG. 2

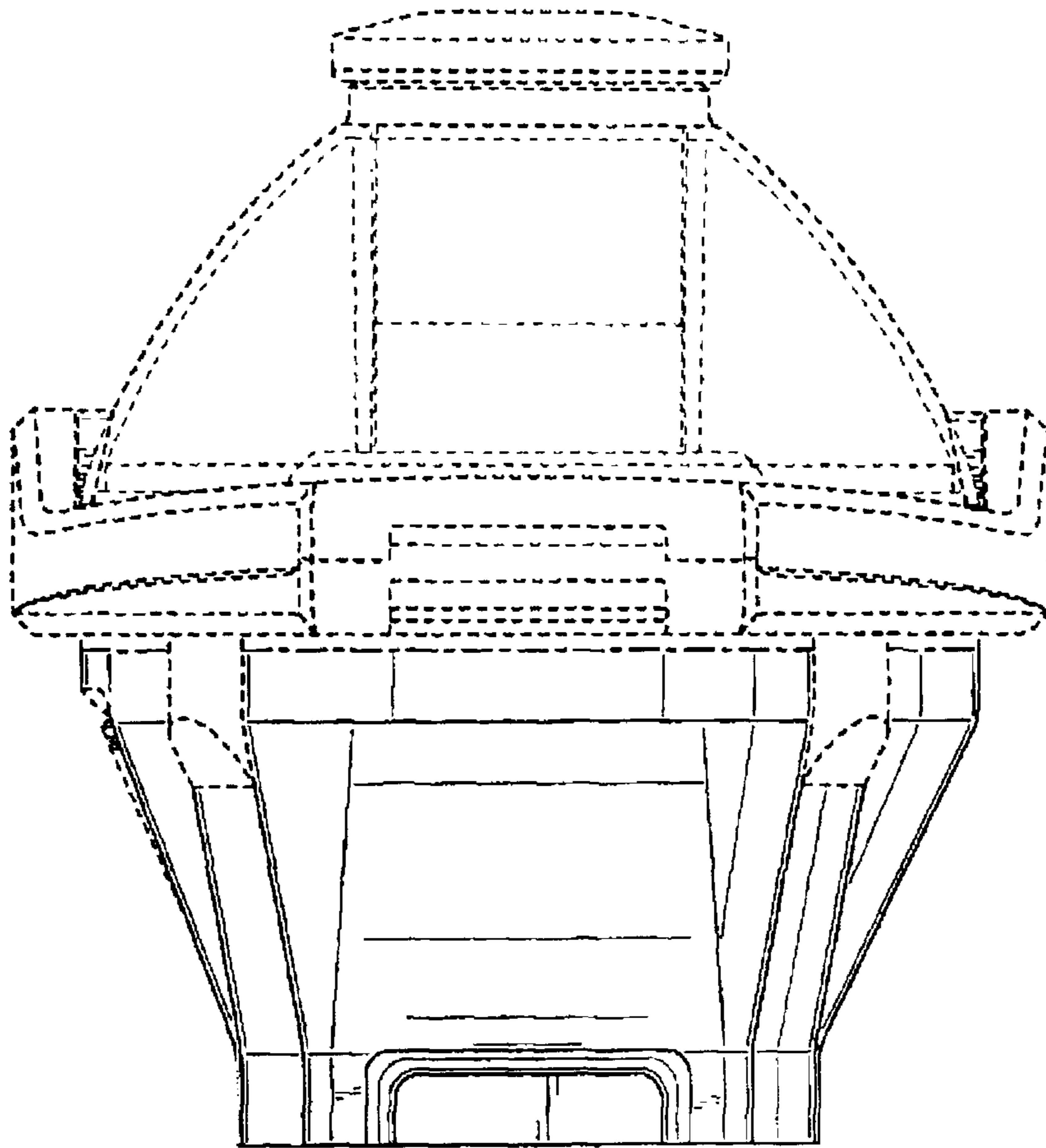


FIG. 3

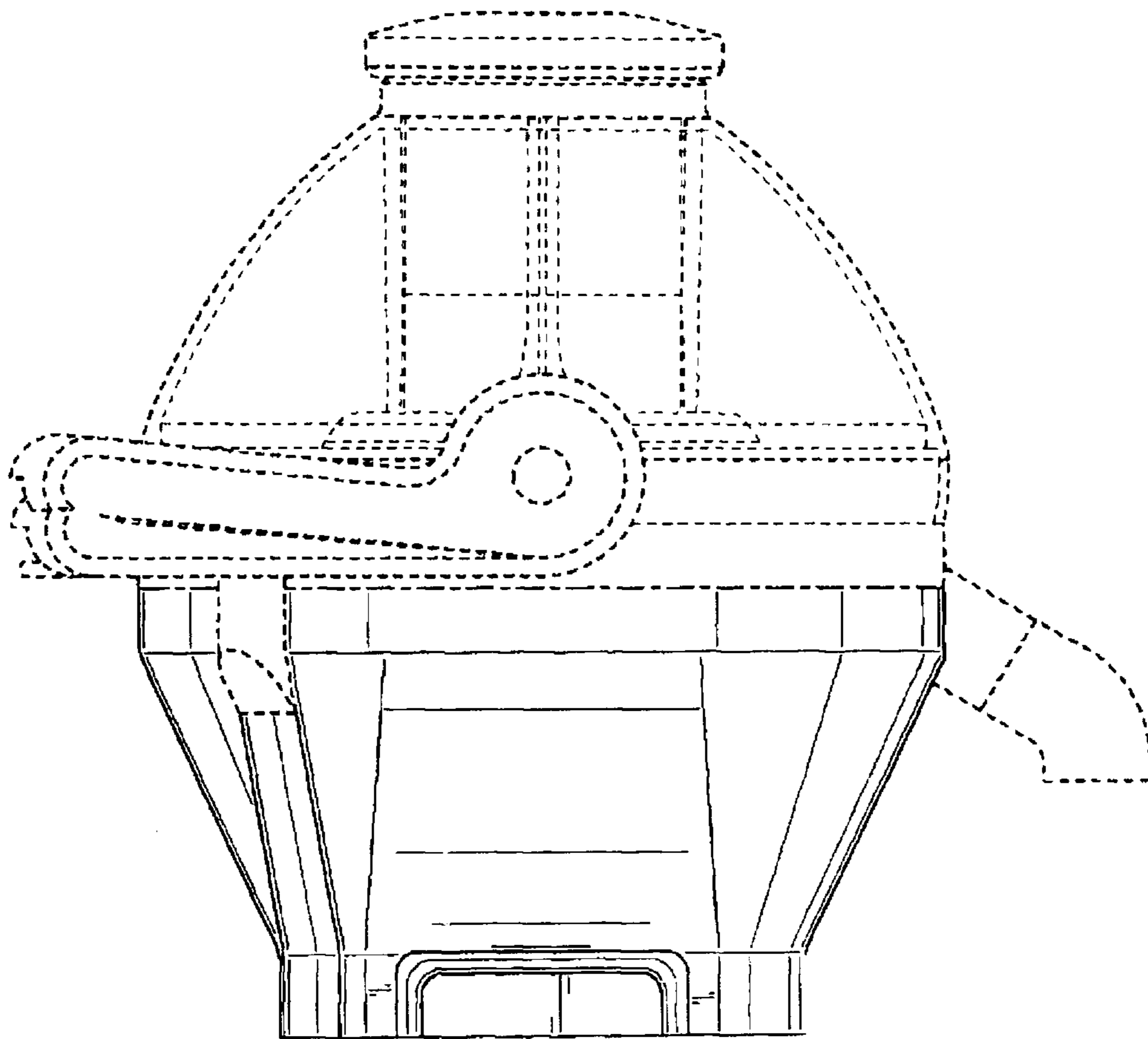


FIG. 4

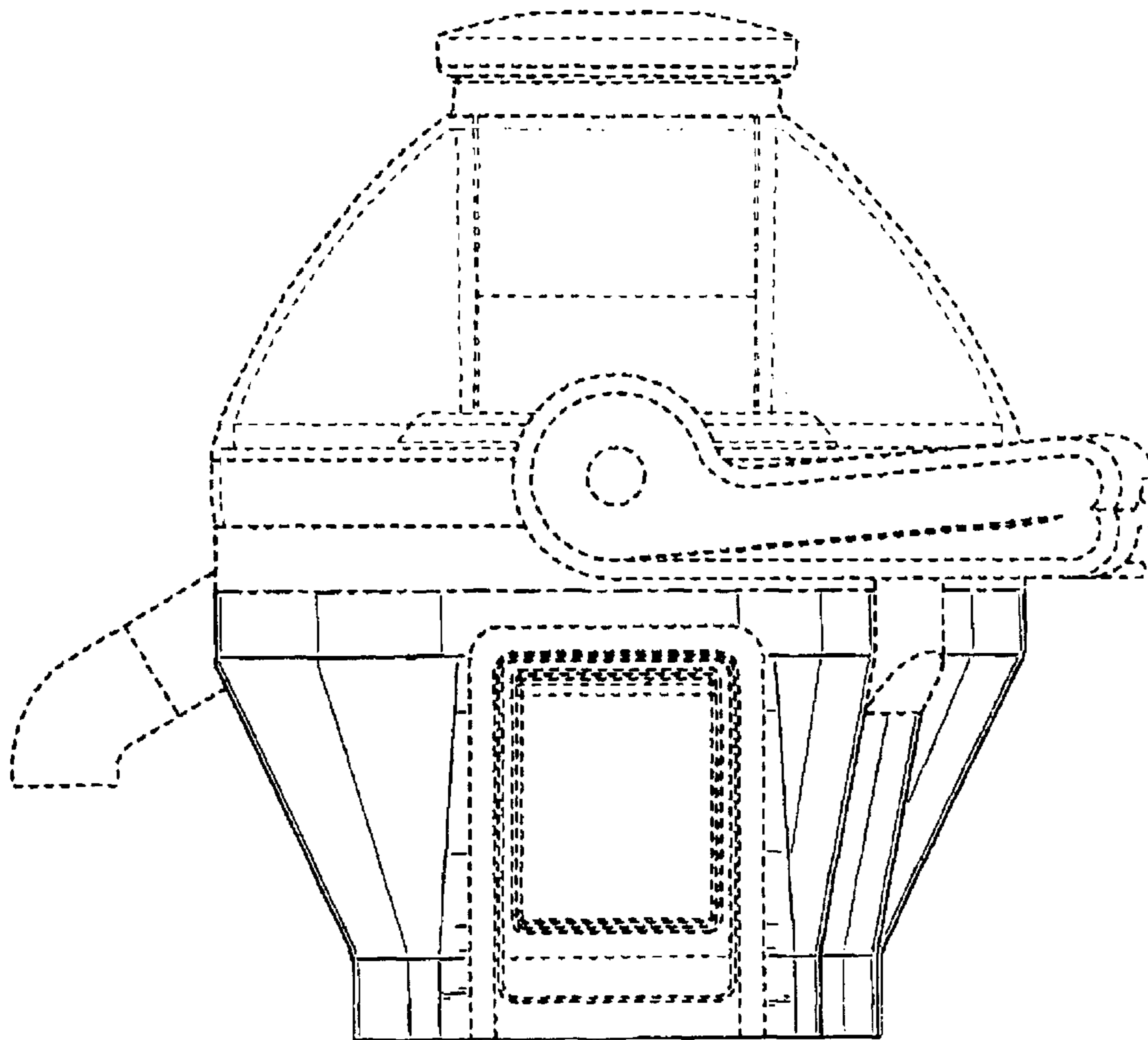


FIG. 5

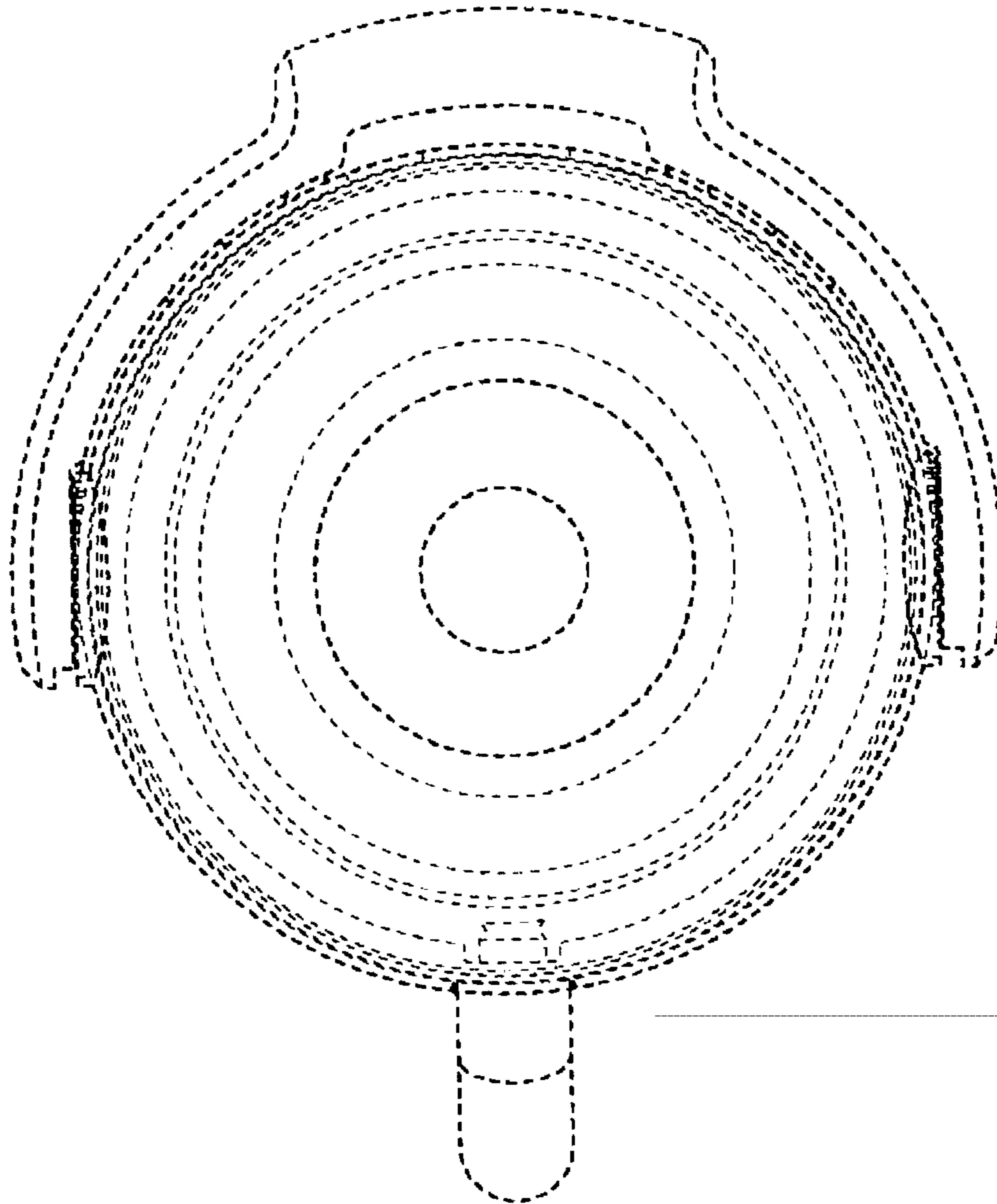


FIG. 6

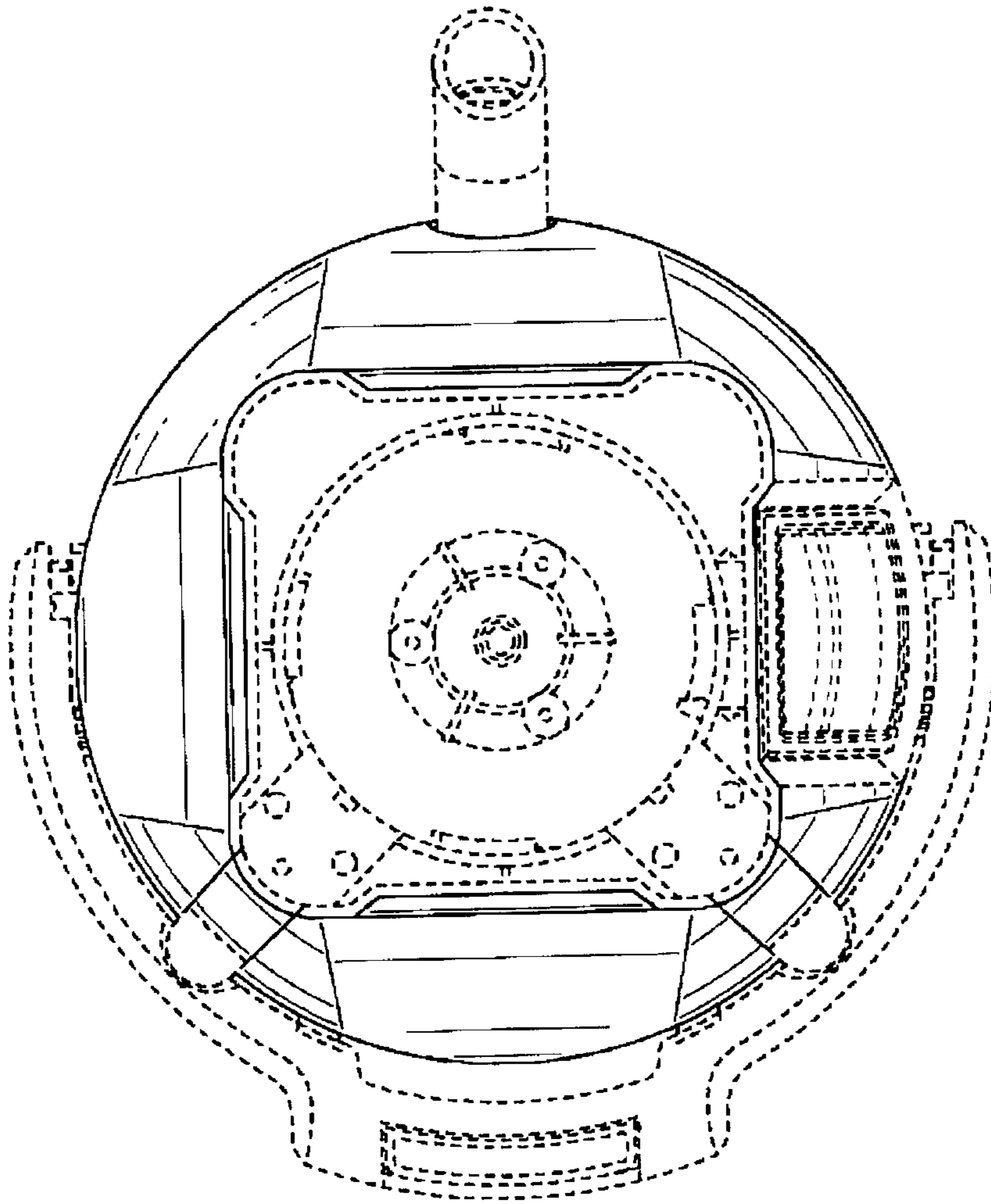


FIG. 7