



US00D701084S

(12) **United States Design Patent**  
**Coakley et al.**

(10) **Patent No.:** **US D701,084 S**  
(45) **Date of Patent:** **\*\* Mar. 18, 2014**

(54) **JUICER**  
(71) Applicant: **Euro-Pro Operating LLC**, Newton, MA (US)  
(72) Inventors: **Devin Joseph Coakley**, Bellingham, MA (US); **Mark Allen Nichols**, Newton Highlands, MA (US)  
(73) Assignee: **Euro-Pro Operating LLC**, Newton, MA (US)  
(\*\*) Term: **14 Years**

(21) Appl. No.: **29/447,065**  
(22) Filed: **Feb. 28, 2013**  
(51) **LOC (10) Cl.** ..... **31-00**  
(52) **U.S. Cl.**  
USPC ..... **D7/412**  
(58) **Field of Classification Search**  
USPC ..... D7/665-667, 412, 376-386; 241/92, 241/101.1-101.7, 285.1-285.3; 99/501-513, 495, 499, 348, 357, 349, 99/369, 370; 366/98, 142, 197-211, 366/241-254, 279-292, 341-347; 100/213, 100/218, 283, 288  
See application file for complete search history.

(56) **References Cited**  
U.S. PATENT DOCUMENTS

D249,441 S \* 9/1978 Fukumoto et al. .... D7/665

D290,677 S \* 7/1987 Stutzer et al. .... D7/384  
D318,402 S \* 7/1991 Barrault ..... D7/665  
D333,412 S \* 2/1993 Levin ..... D7/665  
D369,530 S \* 5/1996 Risse ..... D7/665  
D475,582 S \* 6/2003 To ..... D7/665  
D528,873 S \* 9/2006 Hensel ..... D7/665  
D565,363 S \* 4/2008 Fouquet ..... D7/666  
2011/0083566 A1\* 4/2011 Backus ..... 99/511

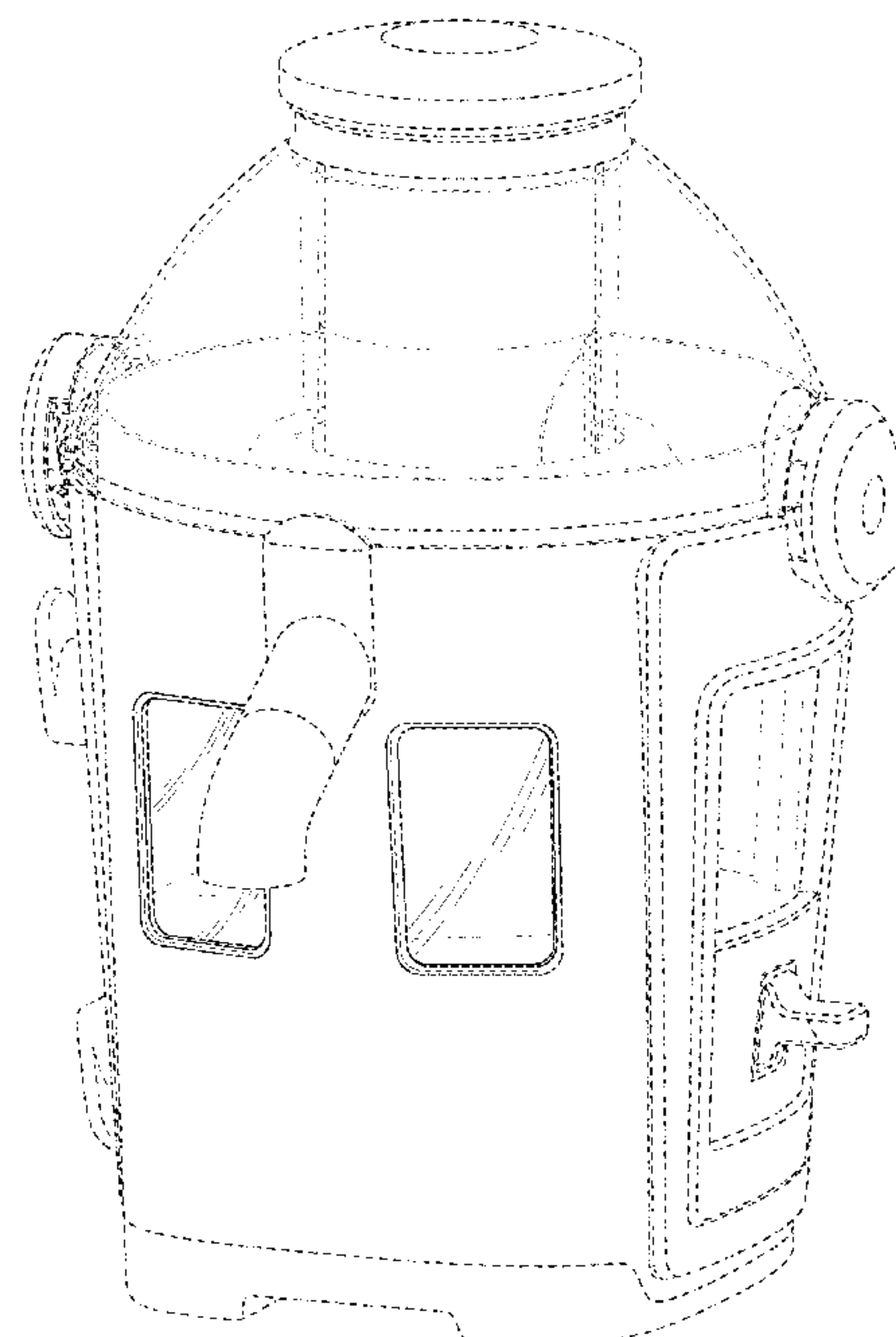
\* cited by examiner

*Primary Examiner* — Terry Wallace  
(74) *Attorney, Agent, or Firm* — Wolf, Greenfield & Sacks, P.C.

(57) **CLAIM**  
The ornamental design for a juicer, as shown and described.

**DESCRIPTION**  
FIG. 1 is a top, front, right side perspective view of a juicer showing our new design;  
FIG. 2 is a front elevational view thereof;  
FIG. 3 is a rear elevational view thereof;  
FIG. 4 is a left side elevational view thereof;  
FIG. 5 is a right side elevational view thereof;  
FIG. 6 is a top plan view thereof; and,  
FIG. 7 is a bottom plan view thereof.  
The broken lines of FIGS. 1-7 illustrate environmental matter and form no part of the claimed design.

**1 Claim, 7 Drawing Sheets**



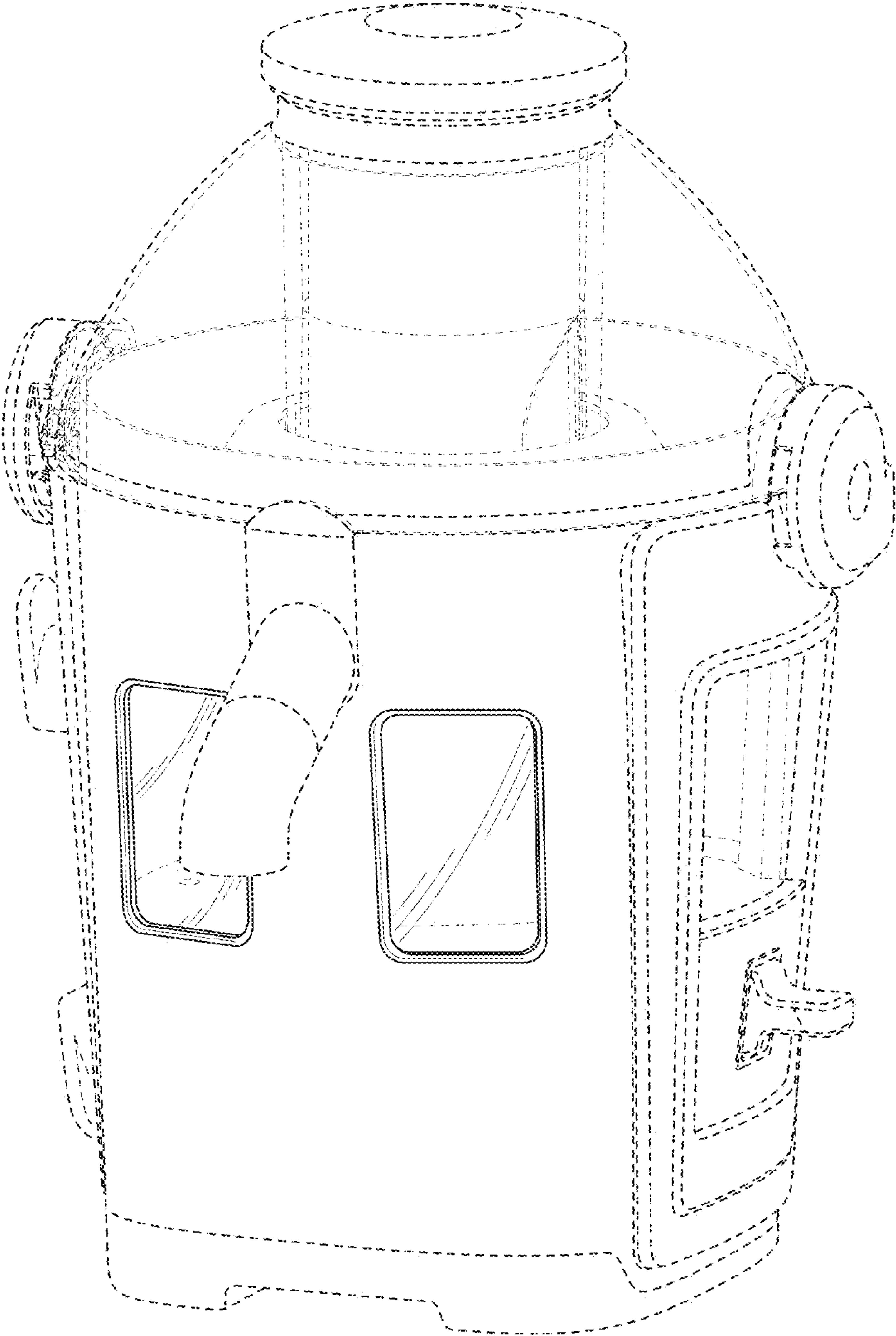


FIG. 1

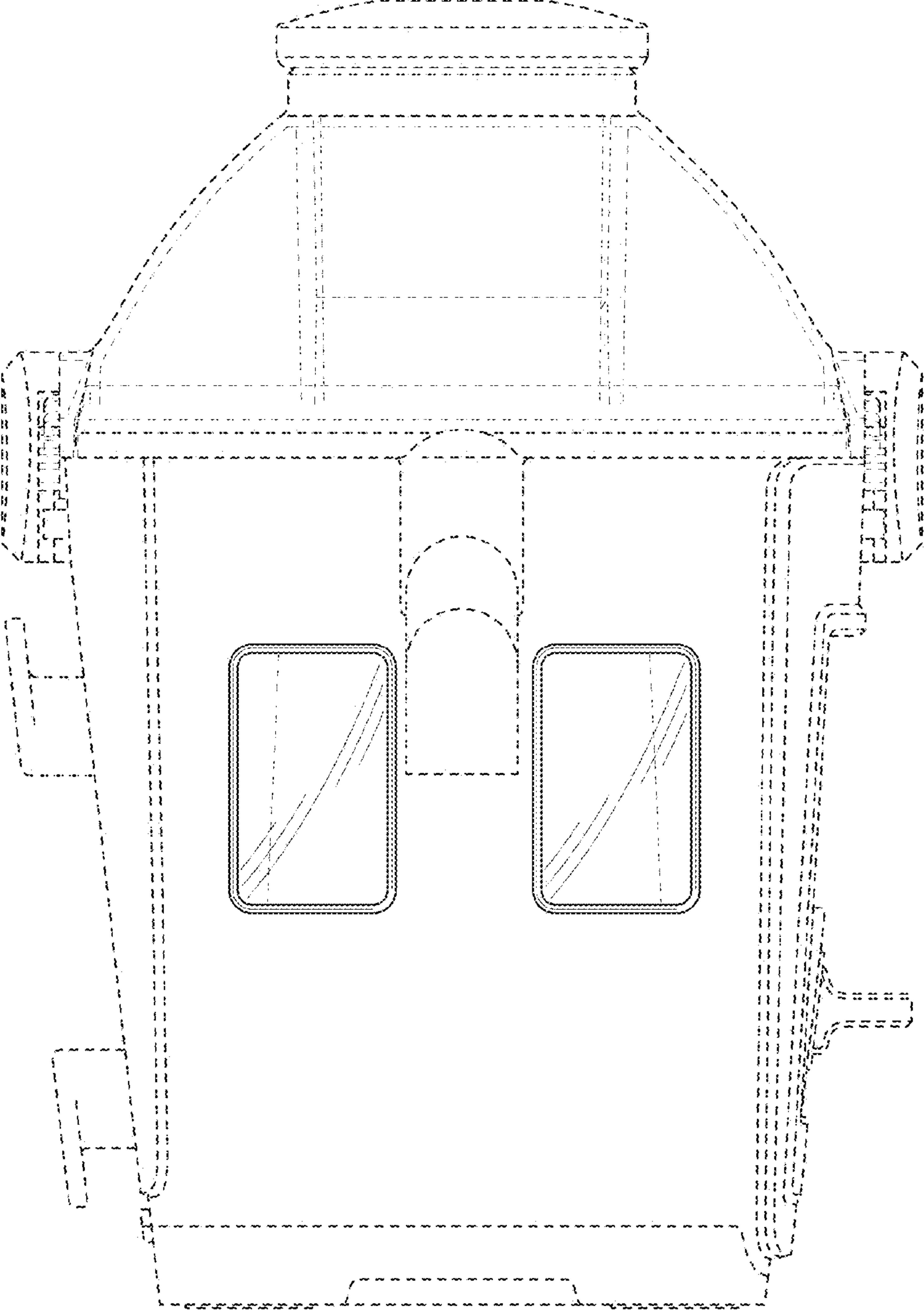


FIG. 2

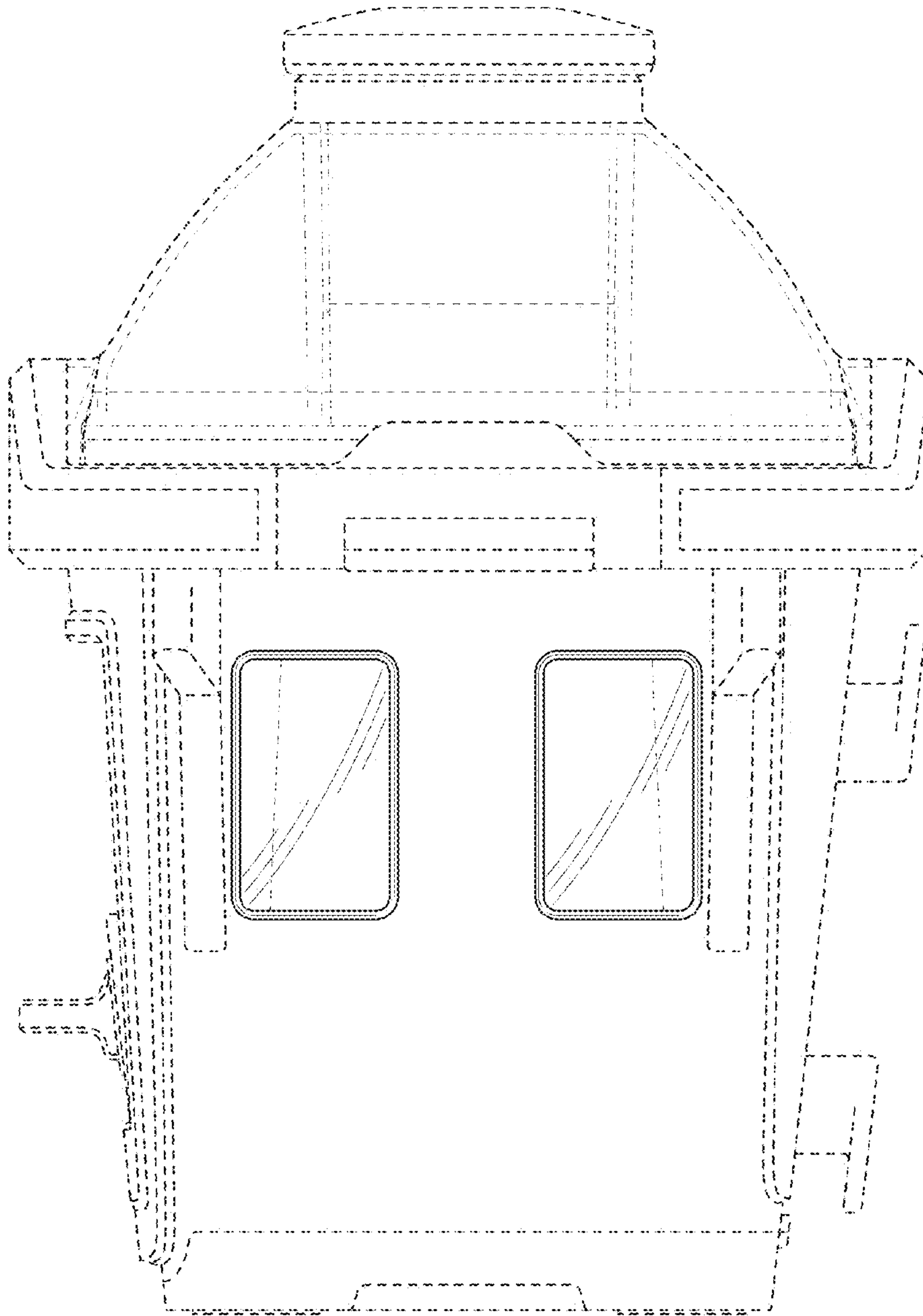


FIG. 3

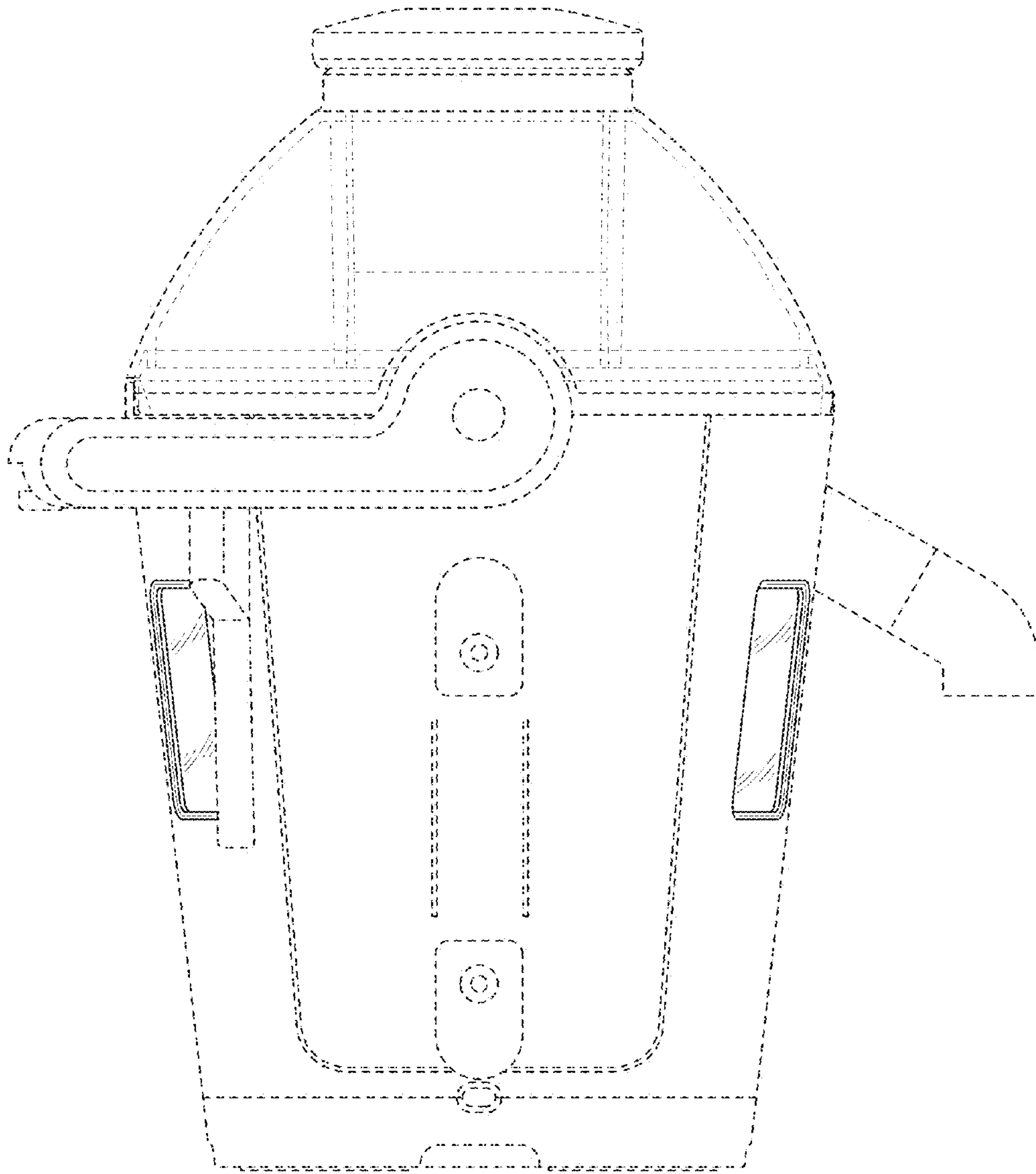


FIG. 4



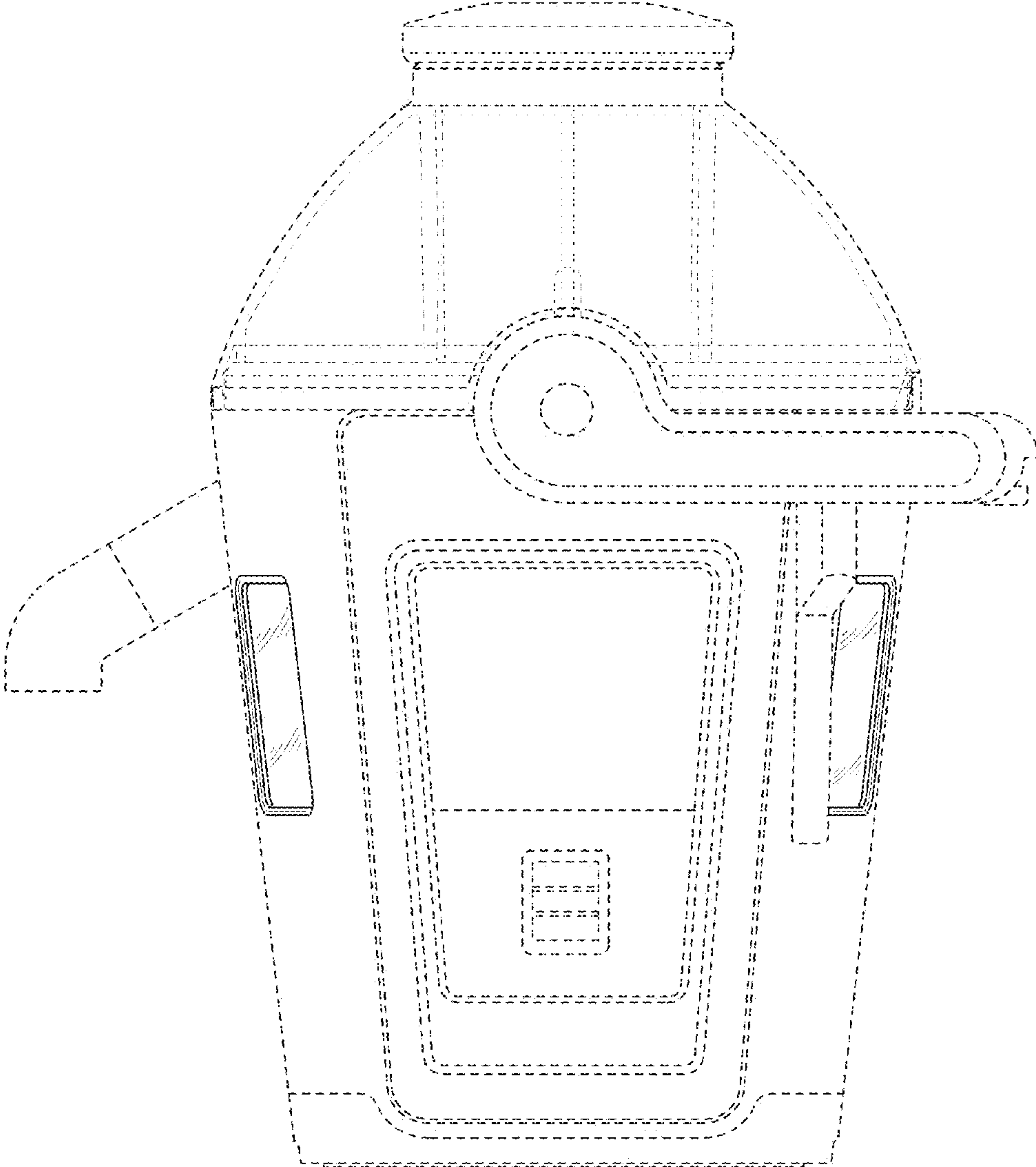


FIG. 5

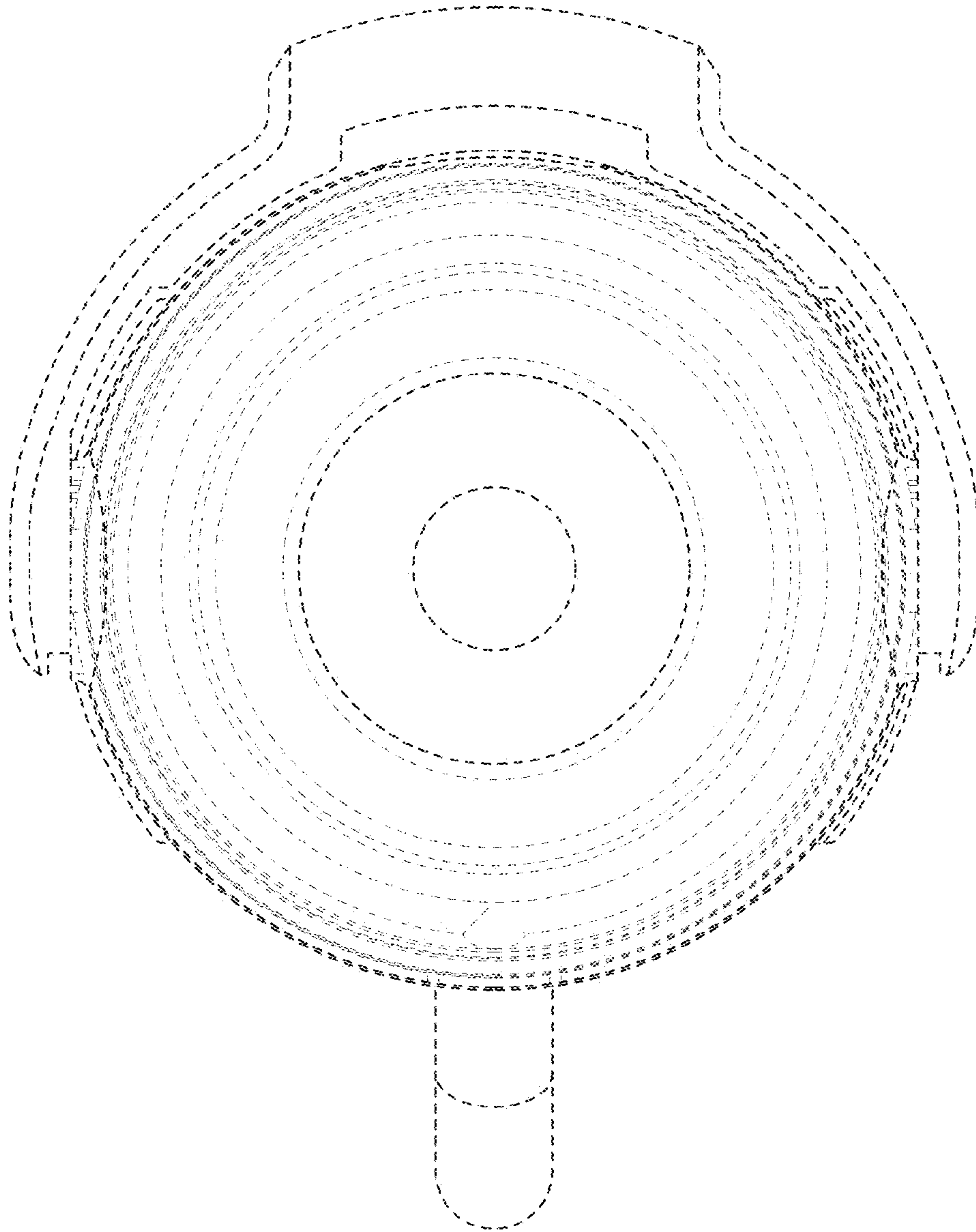


FIG. 6

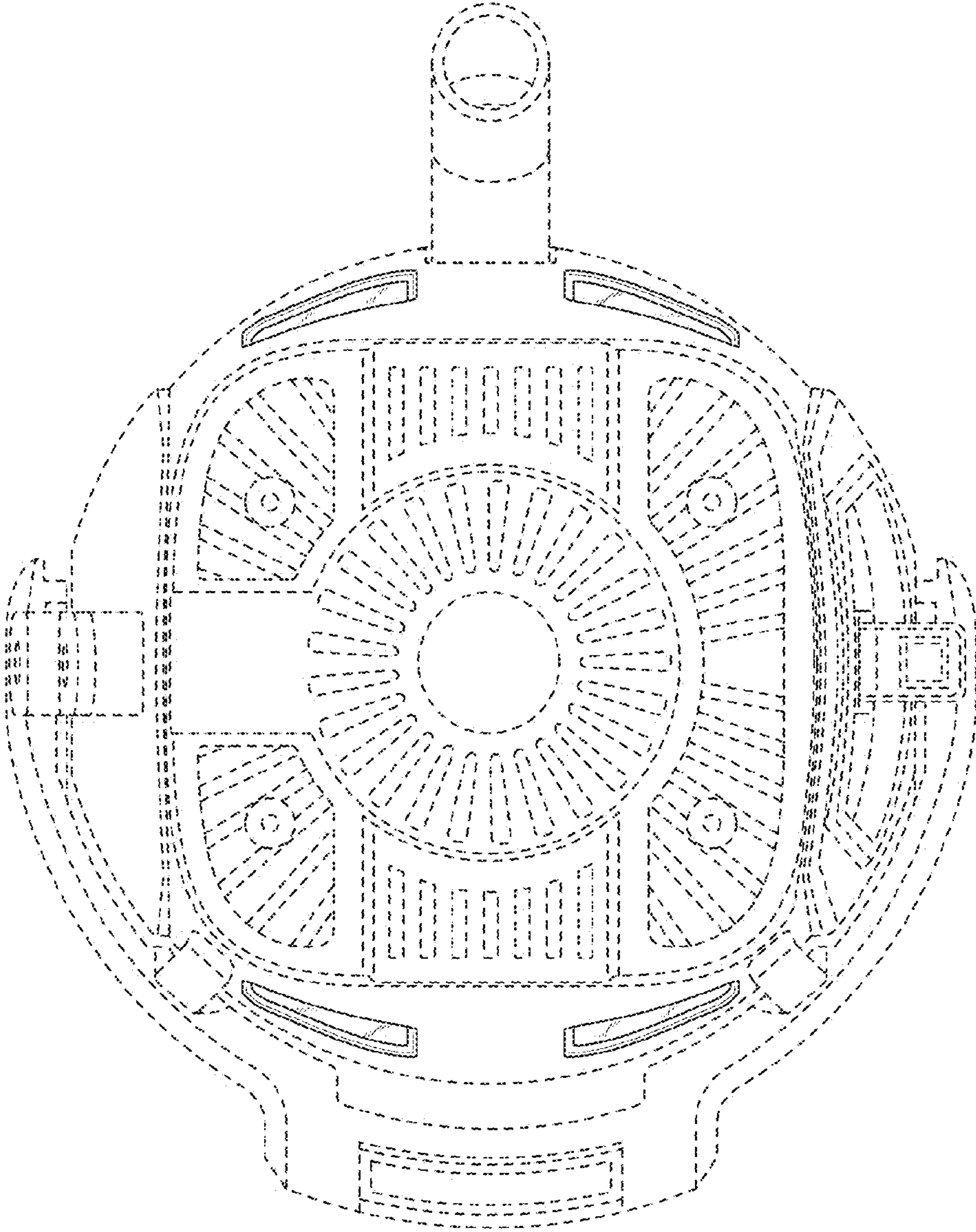


FIG. 7