



US00D701077S

(12) **United States Design Patent**
Whitner et al.

(10) **Patent No.:** **US D701,077 S**
(45) **Date of Patent:** **** Mar. 18, 2014**

(54) **FOOD BASED HOMOGENIZER**

(56) **References Cited**

(71) Applicant: **Healthy Foods, LLC**, Cleveland, OH (US)
(72) Inventors: **Douglas Edward Whitner**, Chagrin Falls, OH (US); **Robert A. Schmidt**, Painesville, OH (US); **Winston Breeden**, Chagrin Falls, OH (US); **Matthew Gregory Hanson**, Lakewood, OH (US); **Robert C. Johnson**, Montville, OH (US); **Brian Louis Machovina**, Coral Gables, FL (US)

U.S. PATENT DOCUMENTS

4,390,133	A *	6/1983	Wanat	241/93
D300,400	S *	3/1989	Kelly et al.	D7/381
D348,177	S *	6/1994	Kelly et al.	D7/381
5,675,228	A *	10/1997	O'Bryan	318/453
5,680,997	A *	10/1997	Hedrington	241/93
D553,427	S *	10/2007	Ball	D7/384
D677,975	S *	3/2013	Jin et al.	D7/381
D682,606	S *	5/2013	Machovina et al.	D7/377
D689,734	S *	9/2013	Bock	D7/386
8,550,390	B2 *	10/2013	Machovina et al.	241/261.1
2007/0089613	A1 *	4/2007	Wu Chang	99/495
2007/0107609	A1 *	5/2007	Barker et al.	99/509
2012/0048977	A1 *	3/2012	Machovina et al.	241/277

(73) Assignee: **Healthy Foods, LLC**, Cleveland, OH (US)

* cited by examiner

(**) Term: **14 Years**

Primary Examiner — Ricky Pham

(21) Appl. No.: **29/460,950**

(74) *Attorney, Agent, or Firm* — Cooper Legal Group, LLC

(22) Filed: **Jul. 17, 2013**

(57) **CLAIM**

(51) **LOC (10) Cl.** **07-02**

The ornamental design for a food based homogenizer, as shown and described.

(52) **U.S. Cl.**

USPC **D7/377; D7/376; D7/378; D7/384**

DESCRIPTION

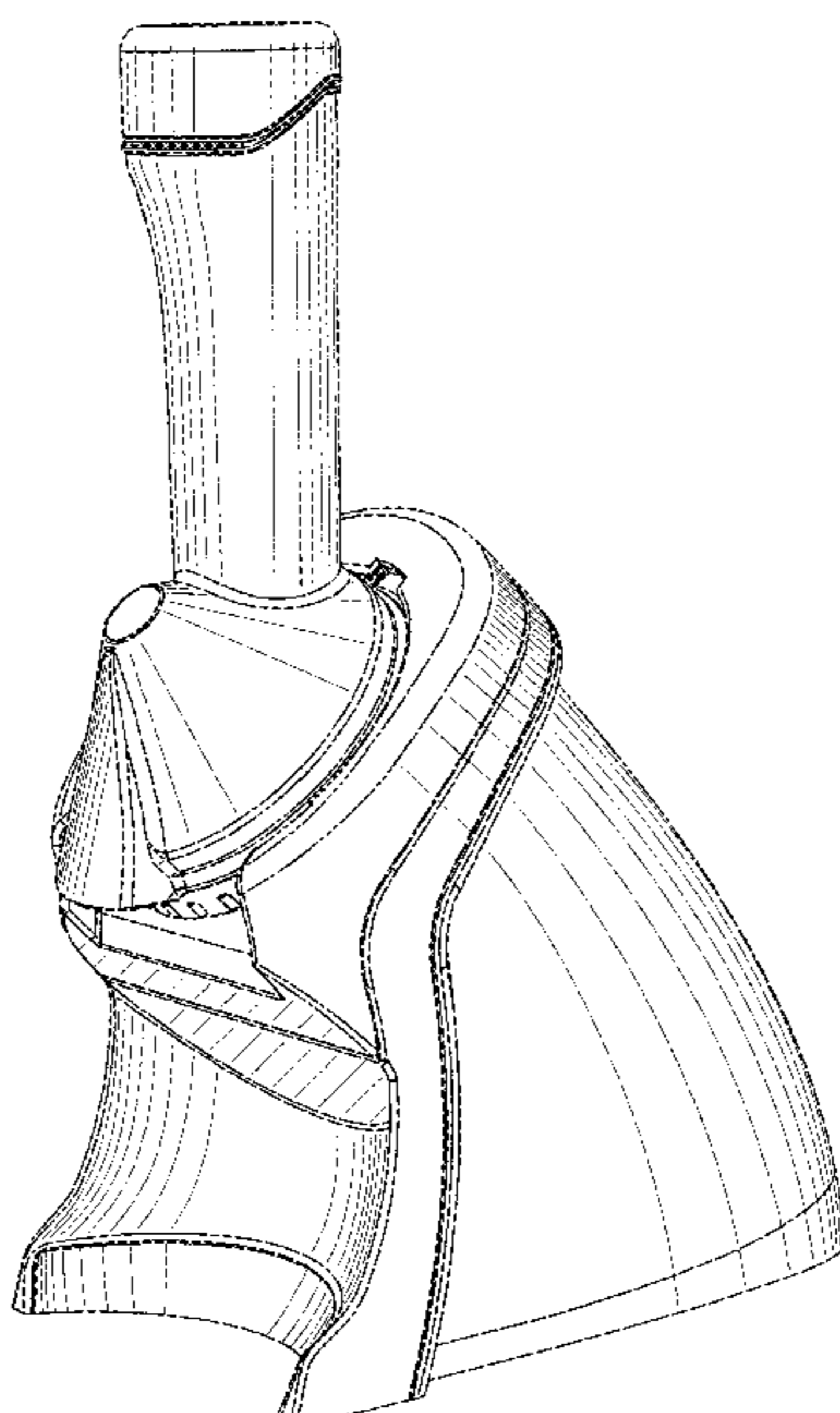
(58) **Field of Classification Search**

USPC D7/301-313, 316-326, 354-357, 368, D7/372-386, 391-398, 402, 412-415, 503, D7/515, 543, 584-587, 607, 665-666, 679, D7/691-693; 99/280, 326, 348, 486, 99/492-495, 508-512; 241/30-37.5, 82.1, 241/92-93, 98, 101.01-101.2, 166-169.1, 241/172, 261.1, 272, 277, 282.2, 241/285.1-285.3, 291, 292.1; 318/453; 366/44, 64-67, 98, 129, 142-146, 366/169.1, 192-211, 241-254, 262, 366/279-292, 314, 325.8, 325.92, 366/341-347; 416/75-77, 70 R, 163

FIG. 1 is a first side view of a food based homogenizer, showing the new design.
FIG. 2 is a second side view of thereof.
FIG. 3 is a front view thereof.
FIG. 4 is a rear view thereof.
FIG. 5 is a top view thereof.
FIG. 6 is a bottom view thereof.
FIG. 7 is a first perspective view; and,
FIG. 8 is a second perspective view thereof.
The broken lines shown in the drawings are for illustrative purposes only and form no part of the claimed design.

See application file for complete search history.

1 Claim, 8 Drawing Sheets



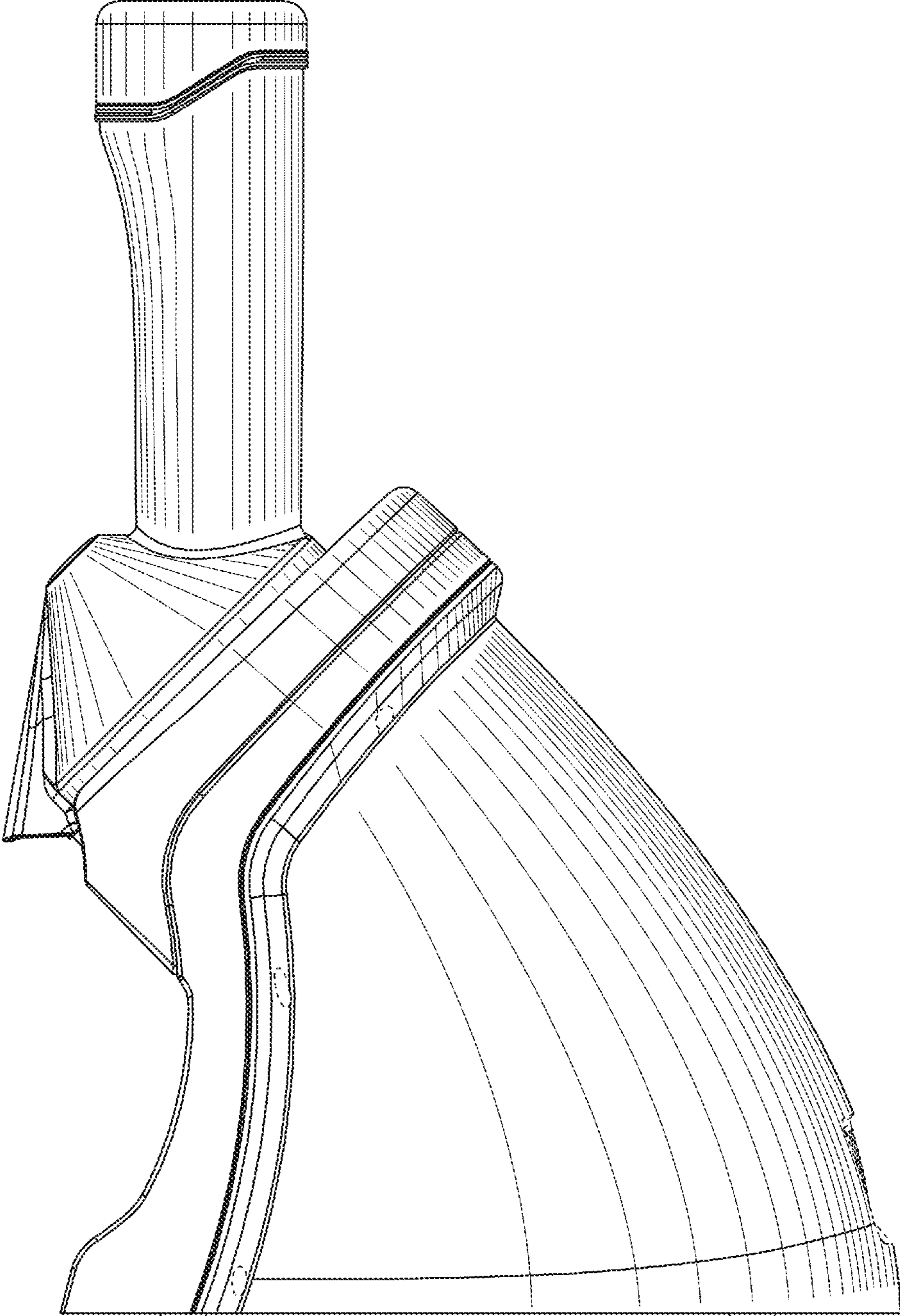


Fig. 1

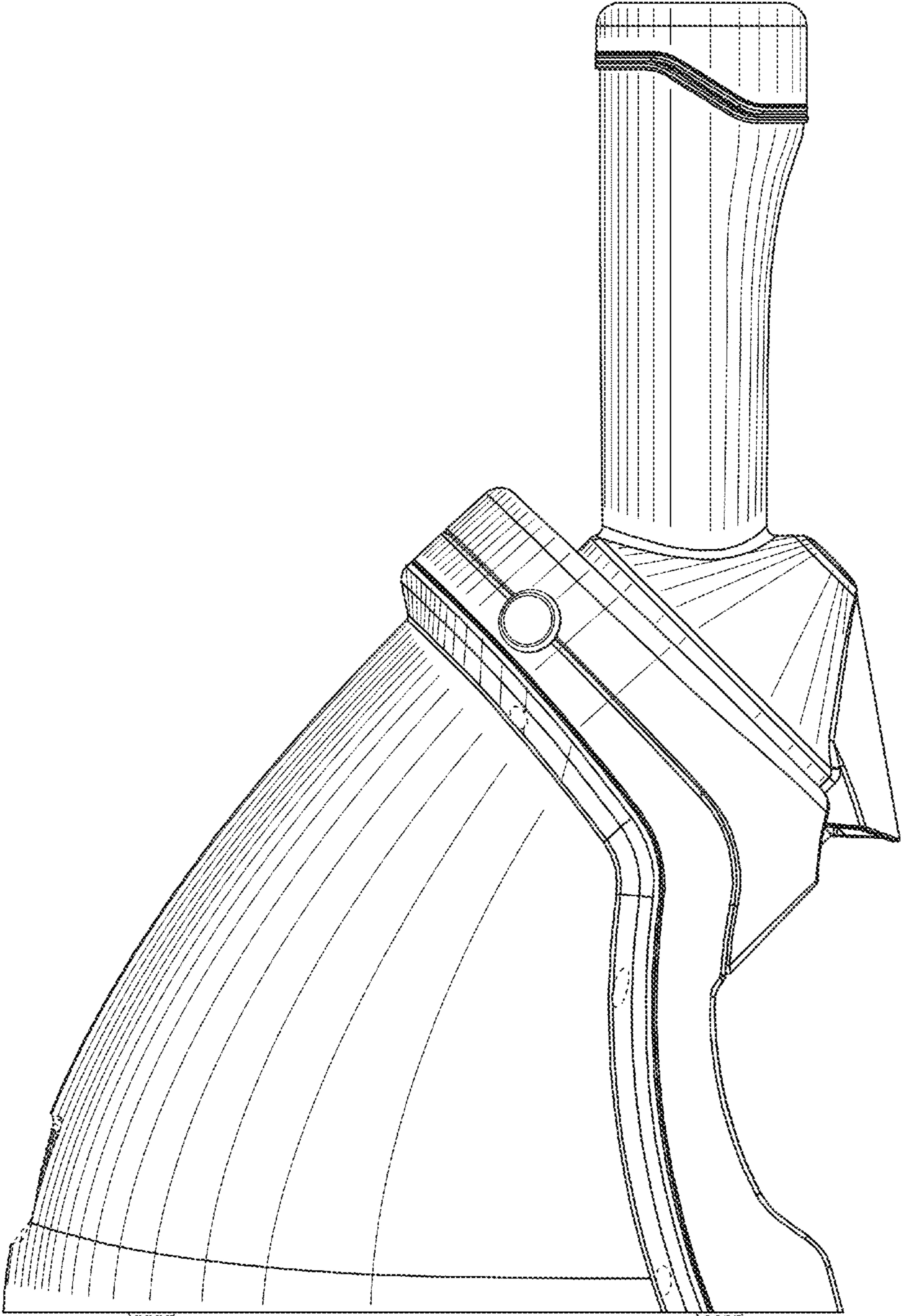


Fig. 2

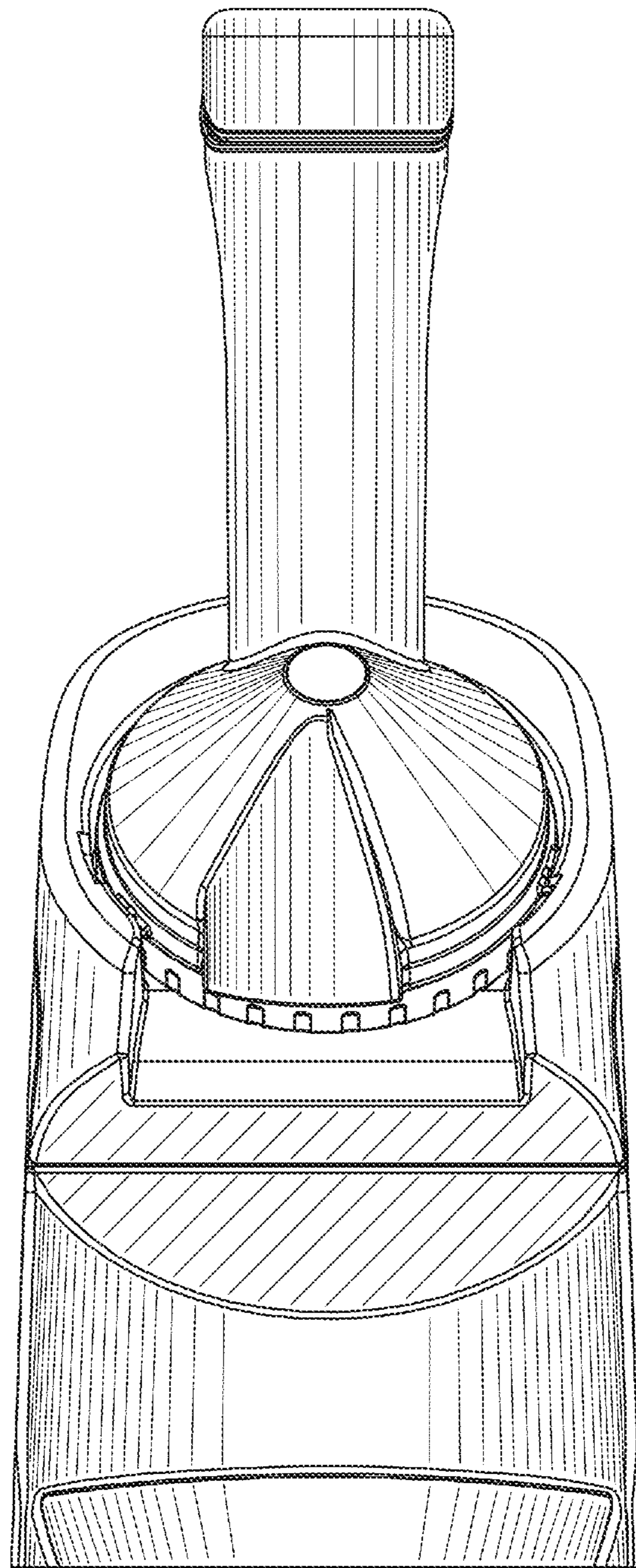


Fig. 3

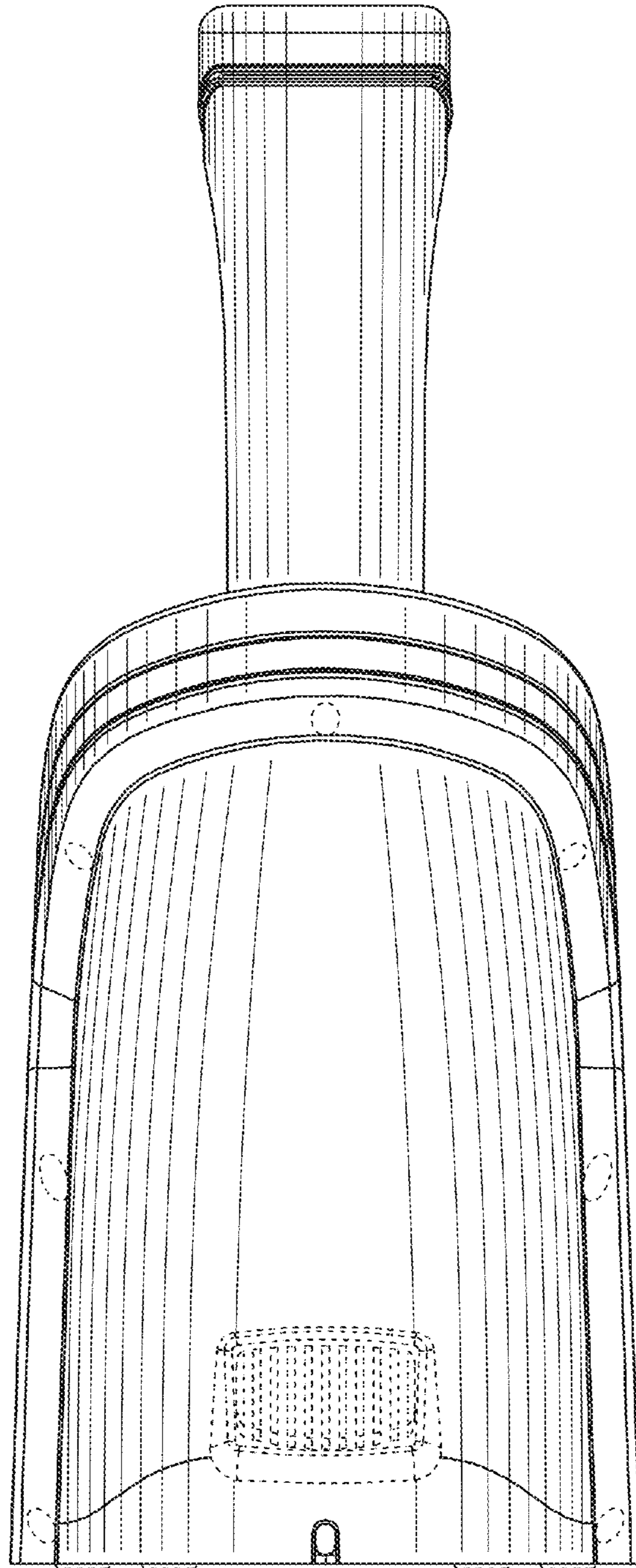


Fig. 4

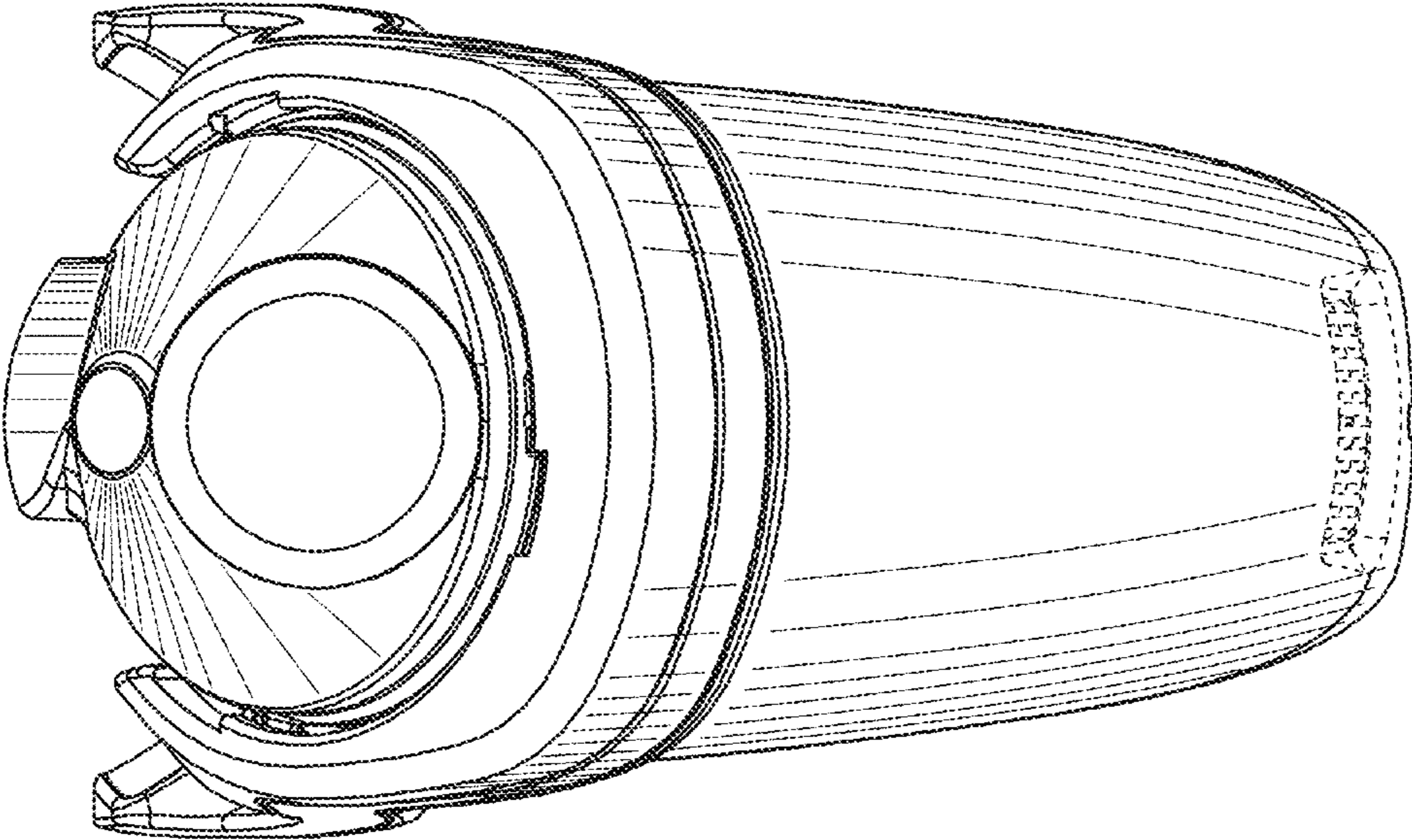


Fig. 5

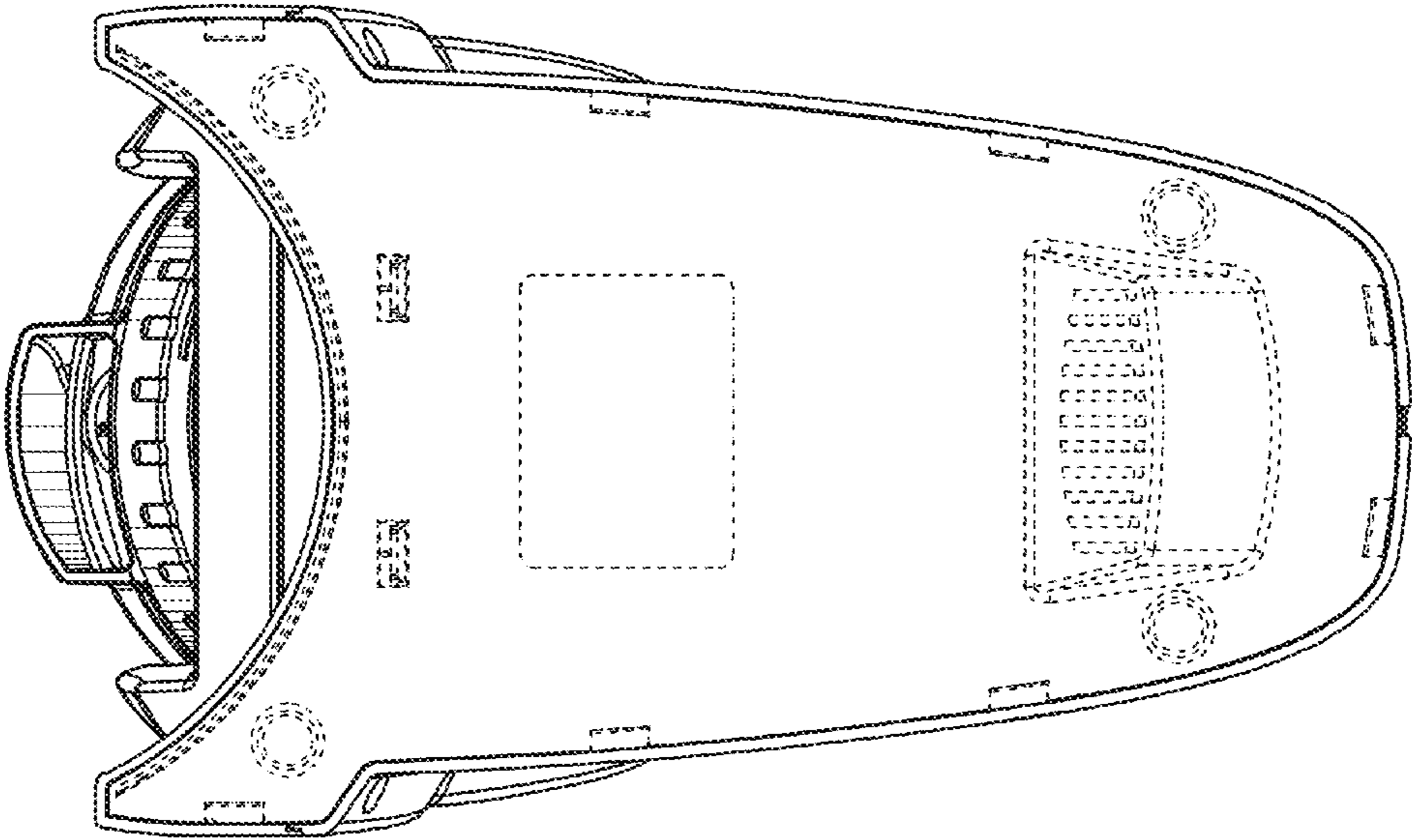


Fig. 6

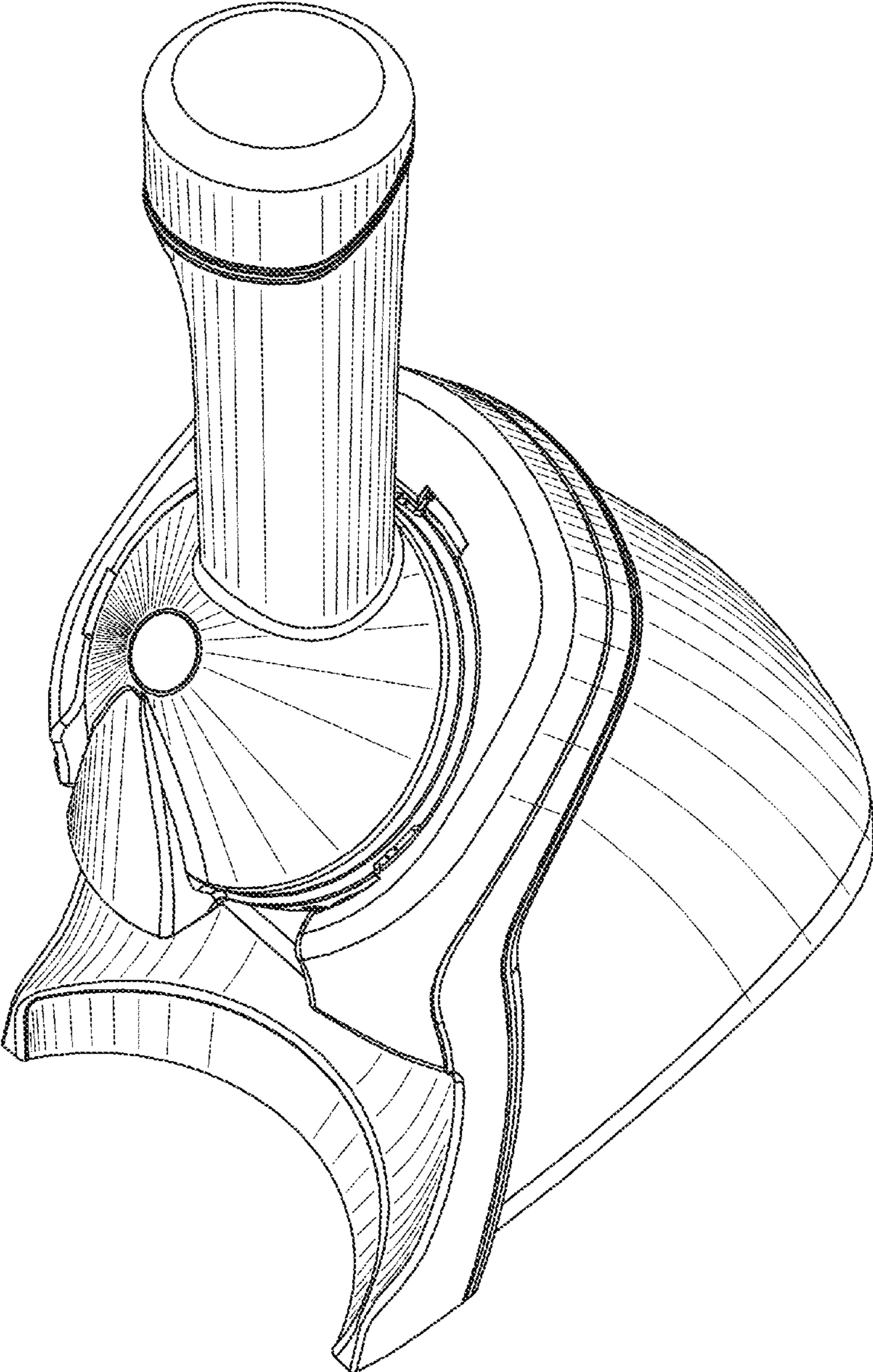


Fig. 7

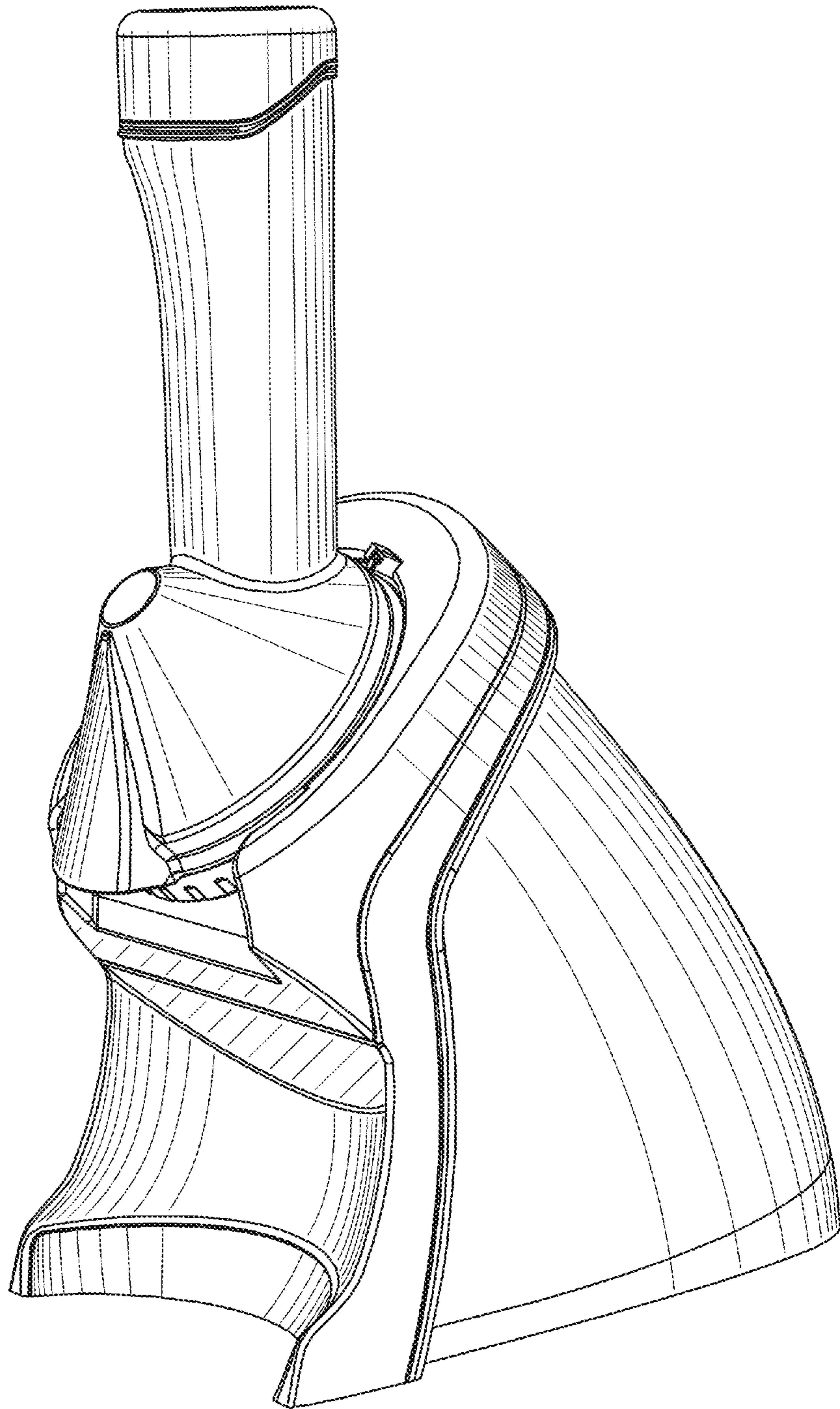


Fig. 8