



US00D701076S

(12) **United States Design Patent**
Baratelli

(10) **Patent No.:** **US D701,076 S**
(45) **Date of Patent:** **** Mar. 18, 2014**

(54) **BOTTOM FOR FOOD COOKING CONTAINERS**

(75) Inventor: **Roberto Baratelli**, Buguggiate (IT)

(73) Assignee: **Aracaria B.V.**, Amsterdam (NL)

(**) Term: **14 Years**

(21) Appl. No.: **29/412,595**

(22) Filed: **Feb. 6, 2012**

(30) **Foreign Application Priority Data**

Aug. 4, 2011 (EM) 001900648-0001

(51) **LOC (10) Cl.** **07-02**

(52) **U.S. Cl.**
USPC **D7/359; D7/354**

(58) **Field of Classification Search**
USPC D7/307, 323, 329-332, 339, 346-347,
D7/350.1-350.4, 353-367, 391-392,
D7/392.1, 393, 395, 402, 406, 409,
D7/538-542, 562, 565, 600, 610-611;
D9/429, 516; D11/153; D30/129;
99/324-325, 331-343, 369, 400-418,
99/422, 425, 426, 440, 451, 483; 126/37 R,
126/261, 374.1, 378.1, 381.1, 385.1;
206/501-505, 507-508, 519; 219/400,
219/405, 429-442, 620-624, 725,
219/730-735; 220/203.05, 203.07, 203.09,
220/298, 315-316, 573.1-573.5, 912;
426/438, 441

See application file for complete search history.

(56) **References Cited**

U.S. PATENT DOCUMENTS

D269,931 S * 8/1983 Durand D7/562
4,446,969 A * 5/1984 Tyler 206/519

D288,065 S * 2/1987 Tyler D9/429
D382,766 S * 8/1997 Hamada et al. D7/354
D405,561 S * 2/1999 Willinger et al. D30/129
D426,427 S * 6/2000 Rubbright et al. D7/565
D449,204 S * 10/2001 Groll D7/354
D514,018 S * 1/2006 Talmadge D11/153
D523,341 S * 6/2006 Livingston et al. D9/516
D541,147 S * 4/2007 LaMasney D9/428
D603,222 S * 11/2009 Krueger et al. D7/538
D652,671 S * 1/2012 Cheng D7/354
D654,321 S * 2/2012 Garg et al. D7/540

* cited by examiner

Primary Examiner — Ricky Pham

(74) *Attorney, Agent, or Firm* — Ohlandt, Greeley, Ruggiero & Perle, LLP

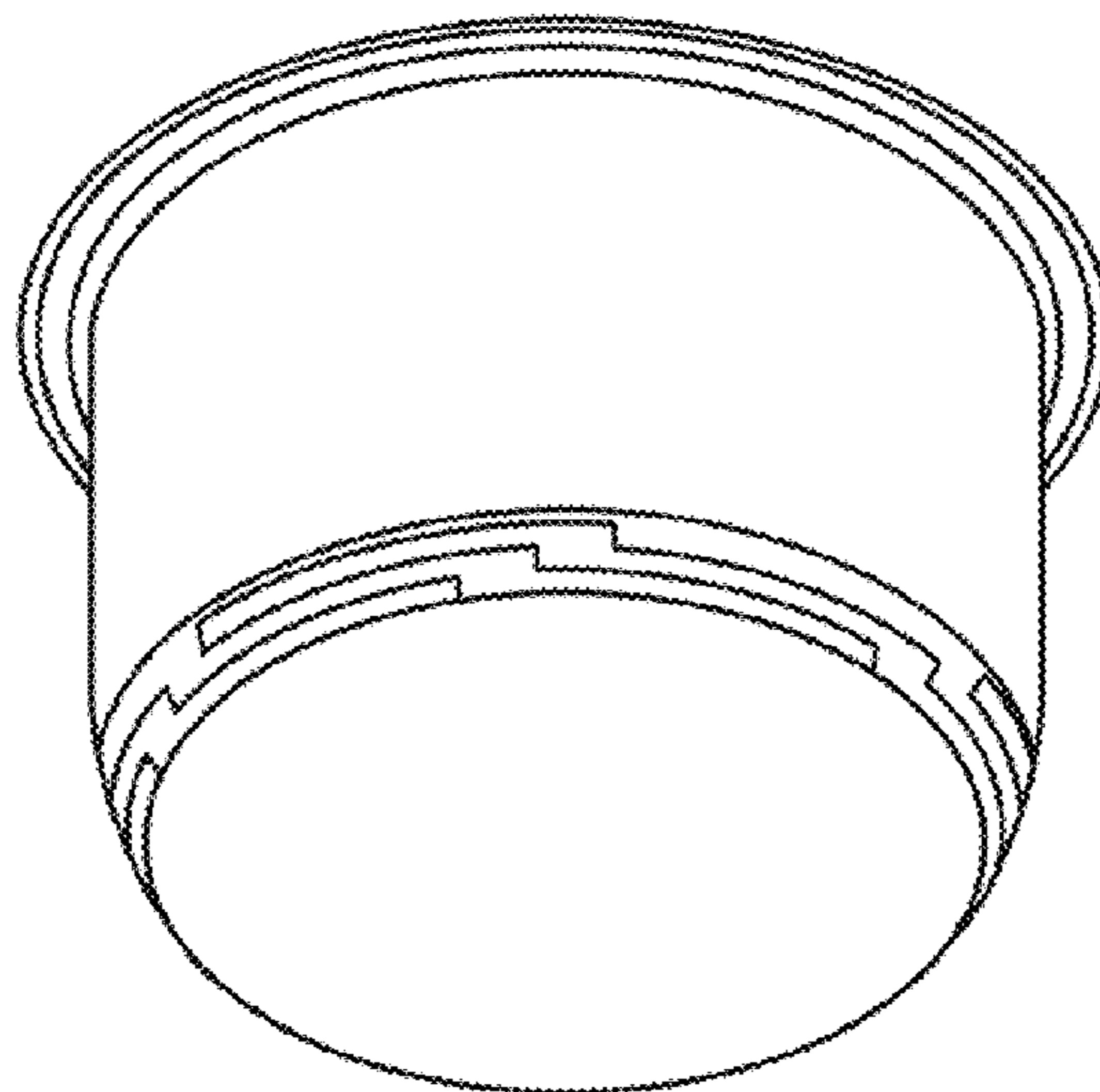
(57) **CLAIM**

The ornamental design for a bottom for food cooking containers, as shown and described.

DESCRIPTION

FIG. 1 is a bottom, perspective view of the bottom for food cooking containers according to the present design;
FIG. 2 is a front view of the bottom for food cooking containers, FIG. 1;
FIG. 3 is a rear view of the bottom for food cooking containers, of FIG. 1;
FIG. 4 is a right side view of the bottom for food cooking containers, of FIG. 1.
FIG. 5 is a left side view of the bottom for food cooking containers, of FIG. 1;
FIG. 6 is a top view of the bottom for food cooking containers; and,
FIG. 7 is a bottom view of the bottom for food cooking containers, of FIG. 1.
The broken lines shown in the drawings are for illustrative purposes only and form no part of the claimed design.

1 Claim, 7 Drawing Sheets



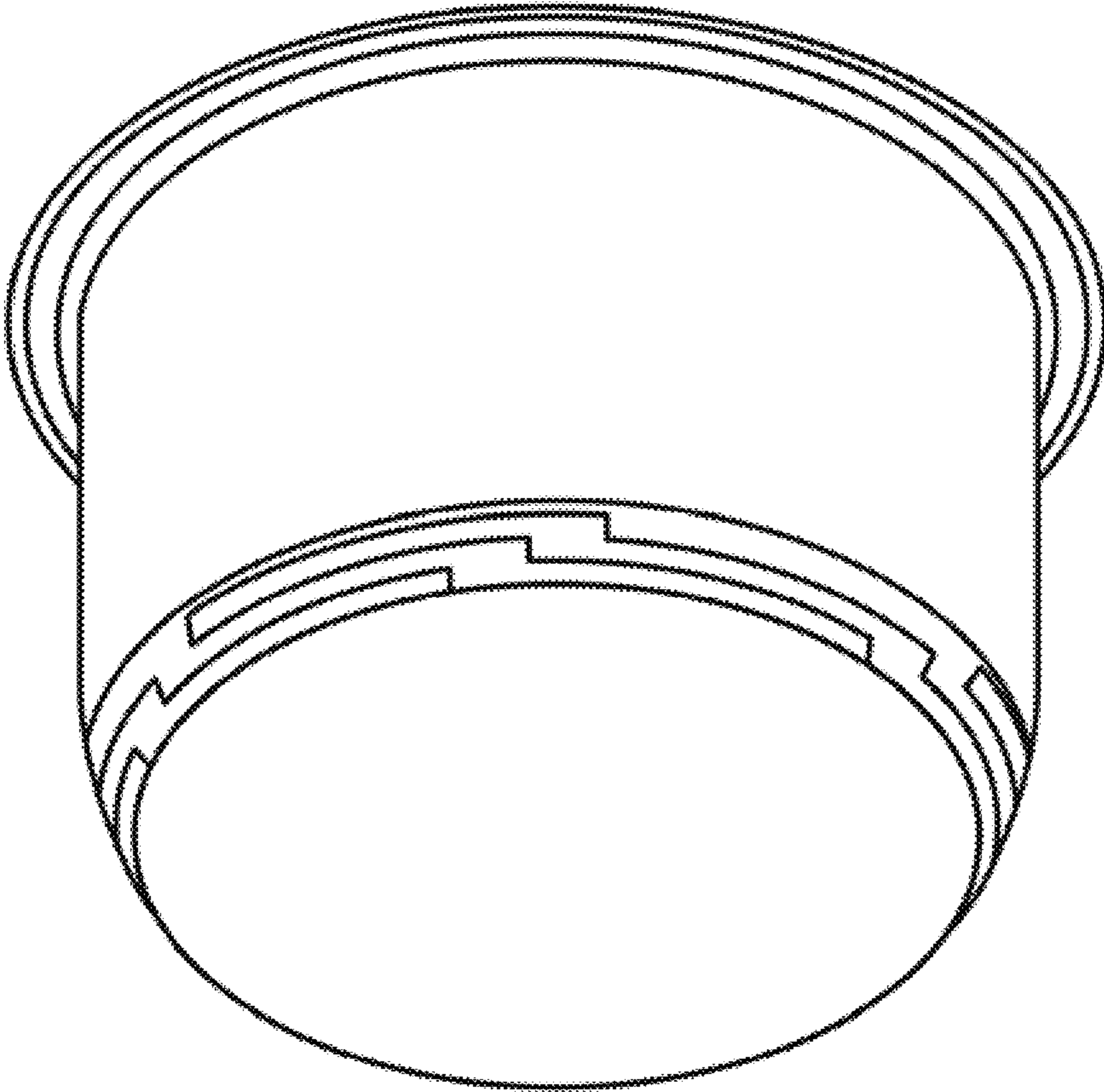


FIG. 1

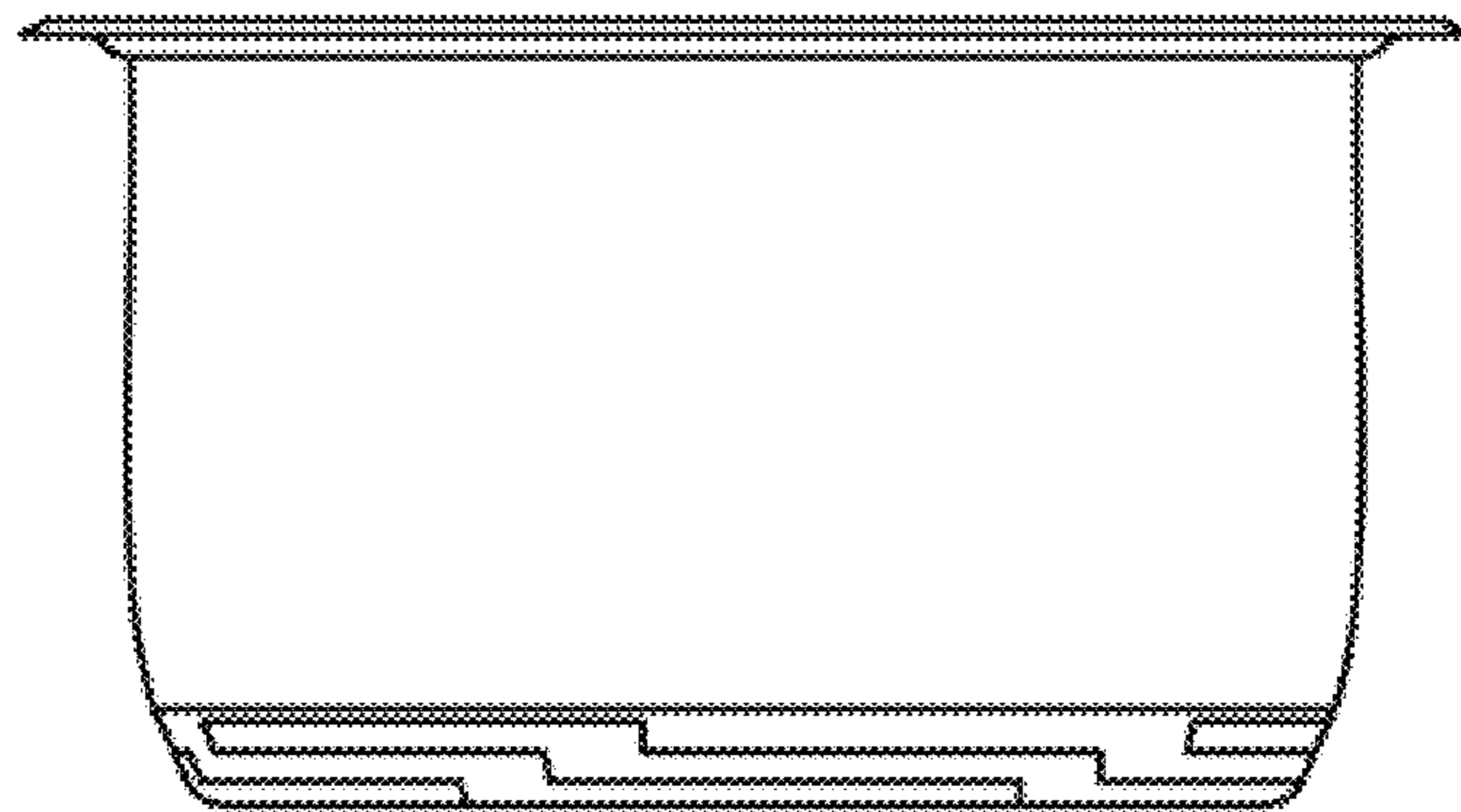


FIG. 2

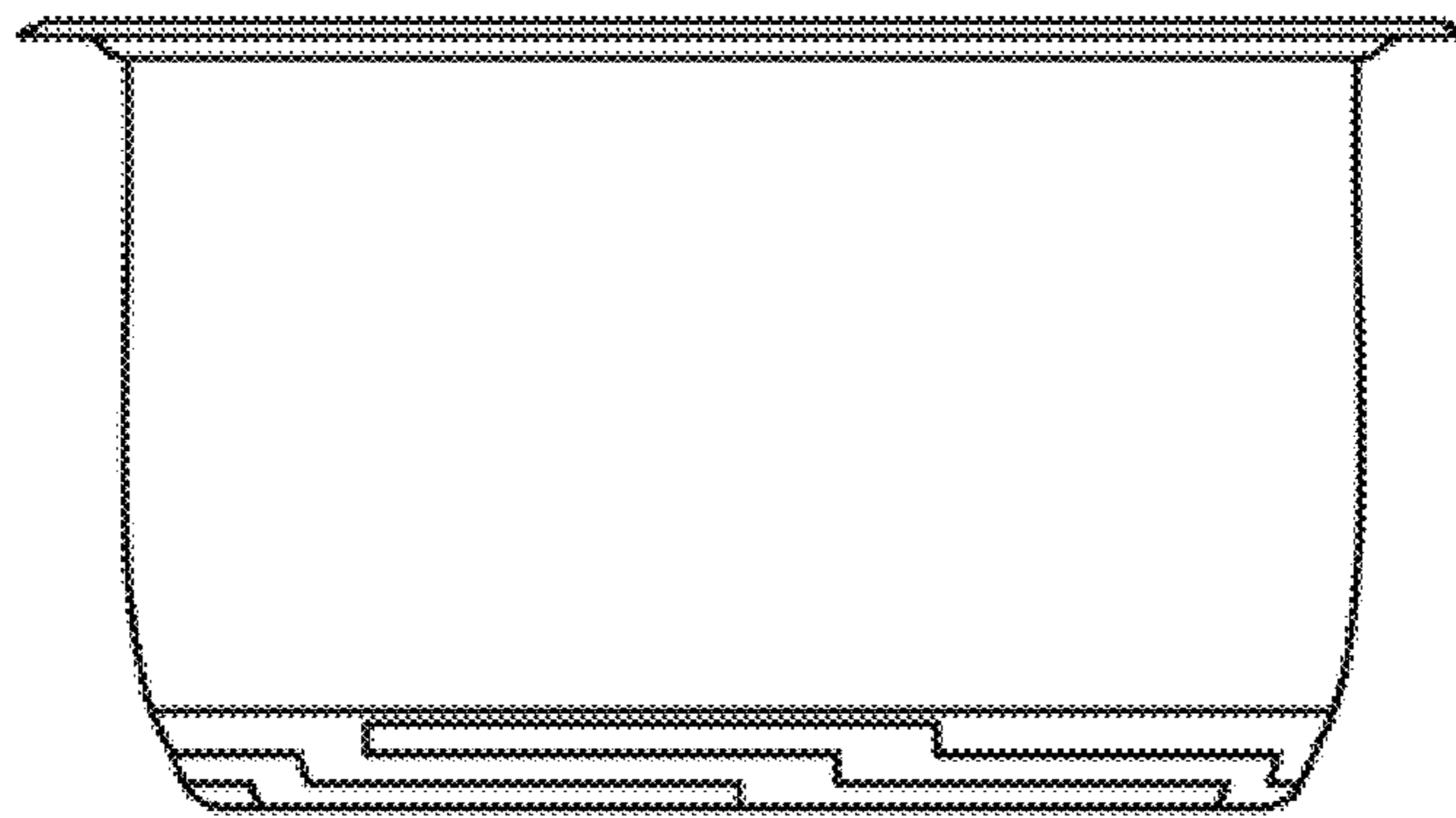


FIG. 3

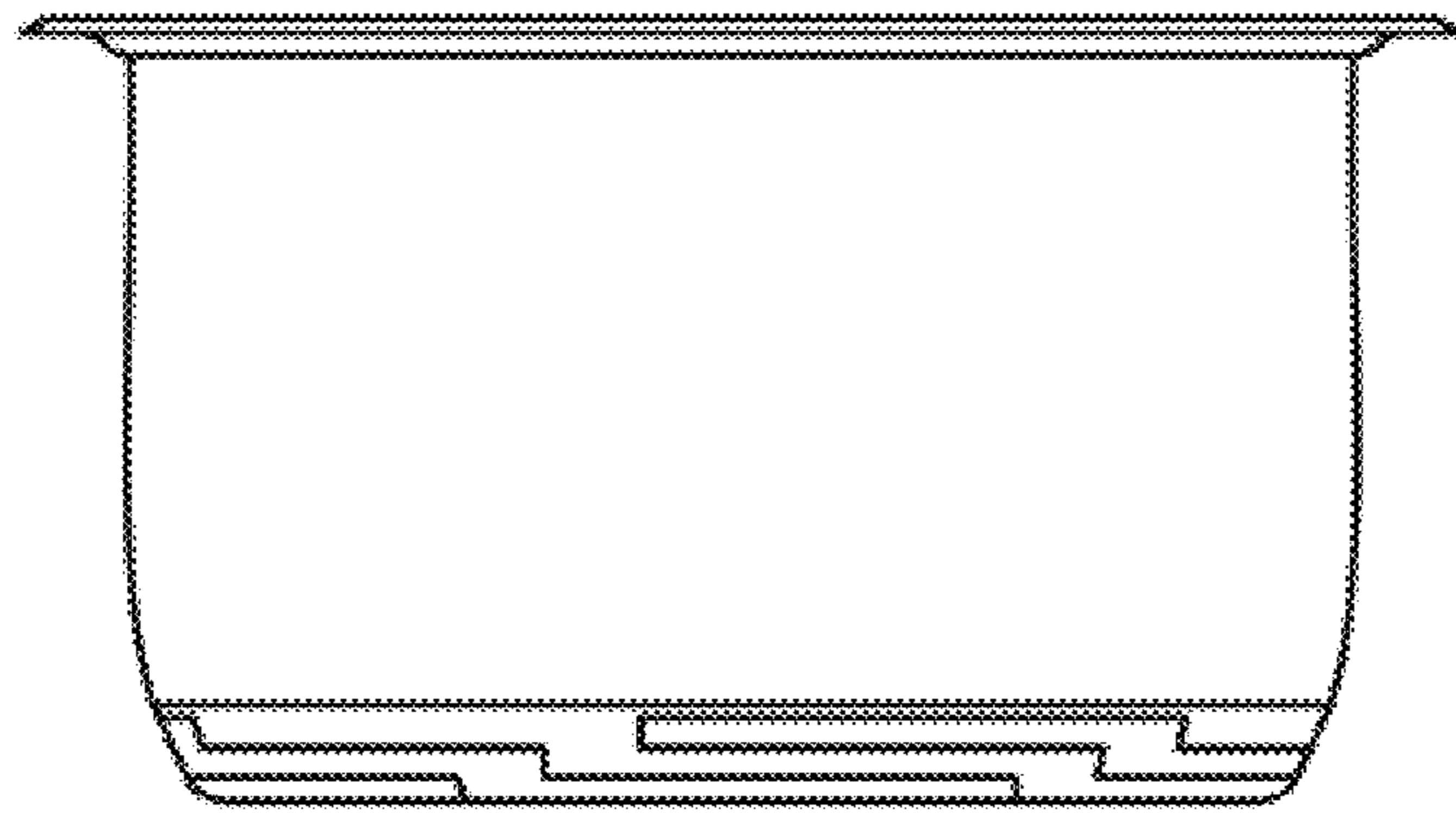


FIG. 4

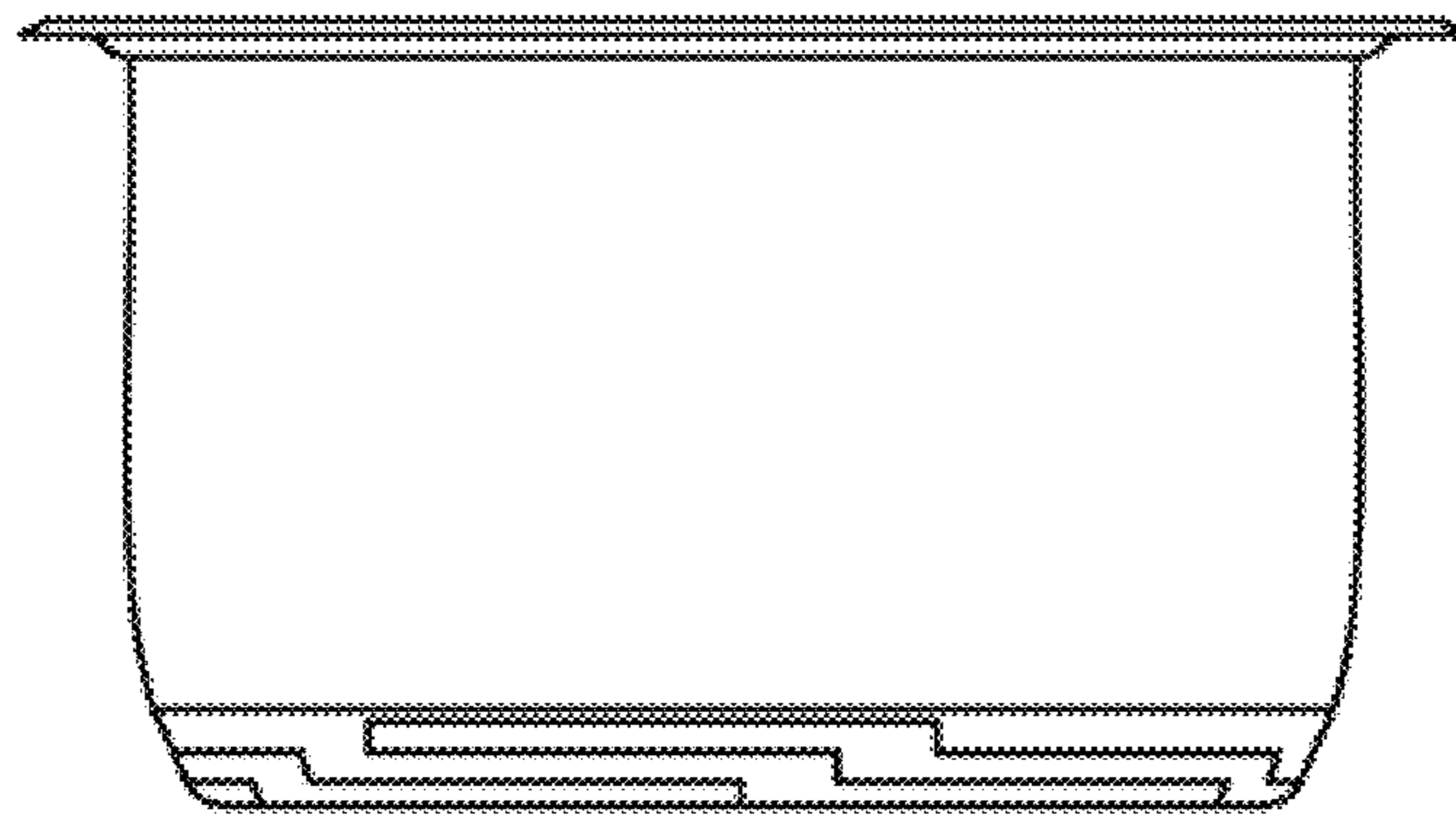


FIG. 5

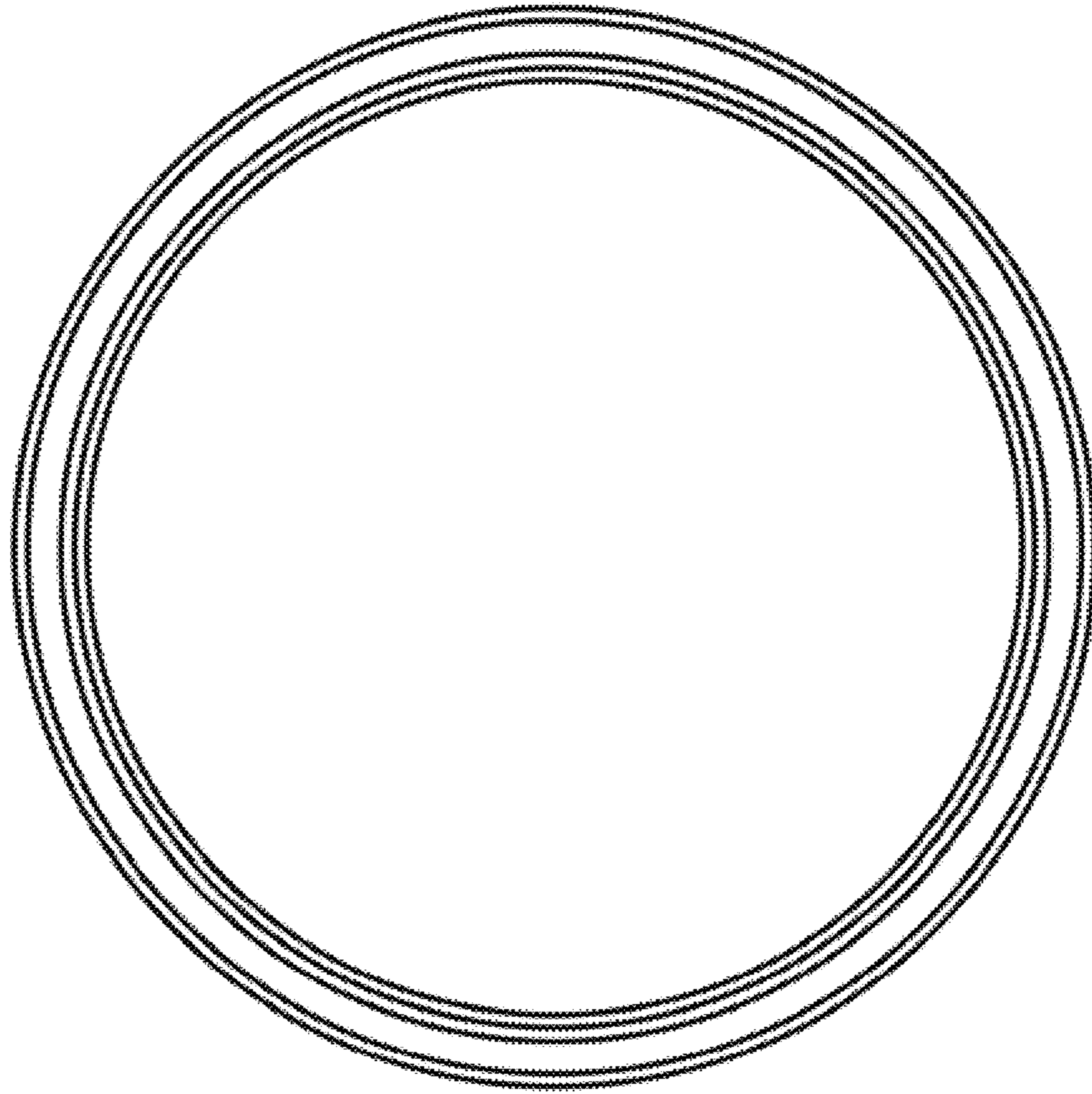


FIG. 6

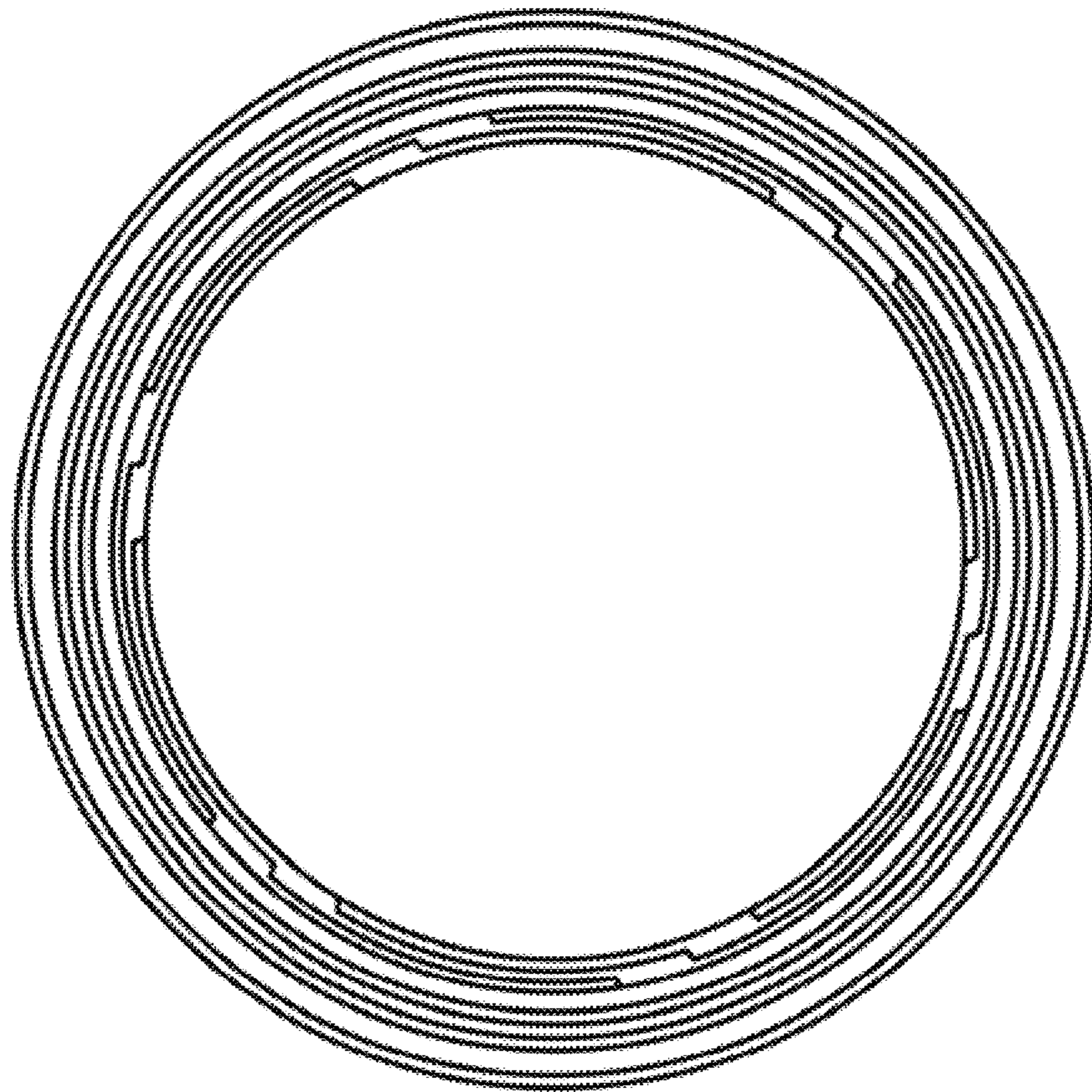


FIG. 7