



US00D701075S

(12) **United States Design Patent**  
**Wai**

(10) **Patent No.:** **US D701,075 S**  
(45) **Date of Patent:** **\*\* Mar. 18, 2014**

- (54) **SOUP MAKER**
  - (71) Applicant: **Victor K. Wai**, Siu Lam NT (HK)
  - (72) Inventor: **Victor K. Wai**, Siu Lam NT (HK)
  - (\*\*) Term: **14 Years**
  - (21) Appl. No.: **29/436,942**
  - (22) Filed: **Nov. 9, 2012**
  - (51) **LOC (10) Cl.** ..... **07-02**
  - (52) **U.S. Cl.**  
USPC ..... **D7/357**; D7/354; D7/376; D7/378
  - (58) **Field of Classification Search**  
USPC ..... D7/301-313, 316-326, 354-357, 368,  
D7/372-386, 391-398, 402, 412-415, 503,  
D7/515, 543, 584-587, 607, 665-666, 679,  
D7/691-693; D15/82; 99/280, 326, 348,  
99/486, 492, 508-512; 241/30-37.5, 82.1,  
241/92, 98, 101.01-101.2, 166-169.1, 172,  
241/272, 282.2, 285.1-285.3, 291, 292.1;  
366/44, 64-67, 98, 129, 142-146,  
366/169.1, 192-211, 241-254, 262,  
366/279-292, 314, 325.8, 325.92,  
366/341-347; 416/75-77, 70 R, 163;  
426/589
- See application file for complete search history.

4,721,034	A *	1/1988	Shimomura	.....	99/280
D433,872	S *	11/2000	Naft et al.	.....	D7/384
D478,100	S *	8/2003	Wade	.....	D15/82
D552,402	S *	10/2007	Schwamkrug	.....	D7/309
D561,517	S *	2/2008	Borin et al.	.....	D7/309
7,780,337	B2 *	8/2010	Peng	.....	366/144
D630,467	S *	1/2011	Harrod	.....	D7/376
7,997,786	B2 *	8/2011	Liu	.....	366/44
2001/0002891	A1 *	6/2001	Frankel et al.	.....	366/146
2006/0286255	A1 *	12/2006	Xu et al.	.....	426/589
2008/0198688	A1 *	8/2008	Peng	.....	366/145

\* cited by examiner

*Primary Examiner* — Ricky Pham

(74) *Attorney, Agent, or Firm* — Tejpal S. Hansra

(56) **References Cited**

**U.S. PATENT DOCUMENTS**

2,282,866	A *	5/1942	Hagen	.....	366/205
D290,677	S *	7/1987	Stutzer et al.	.....	D7/384

(57) **CLAIM**

The ornamental design for a soup maker, as shown and described.

**DESCRIPTION**

FIG. 1 is an isometric view of a soup maker showing my new design;  
 FIG. 2 is a front view thereof;  
 FIG. 3 is a right side view thereof;  
 FIG. 4 is a left side view thereof;  
 FIG. 5 is a back view thereof;  
 FIG. 6 is a top view thereof; and,  
 FIG. 7 is a bottom view thereof.

**1 Claim, 6 Drawing Sheets**

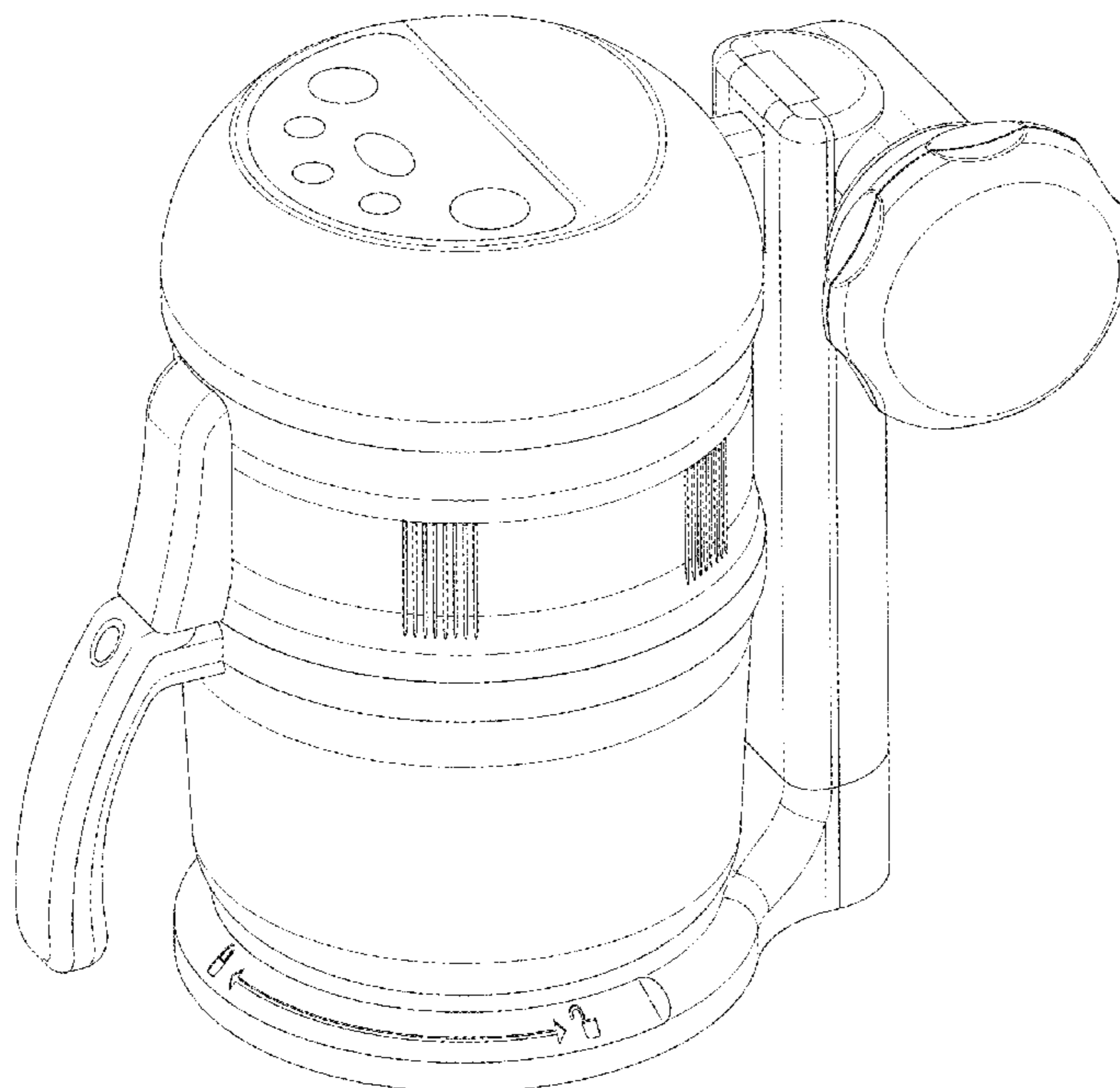


FIG. 1

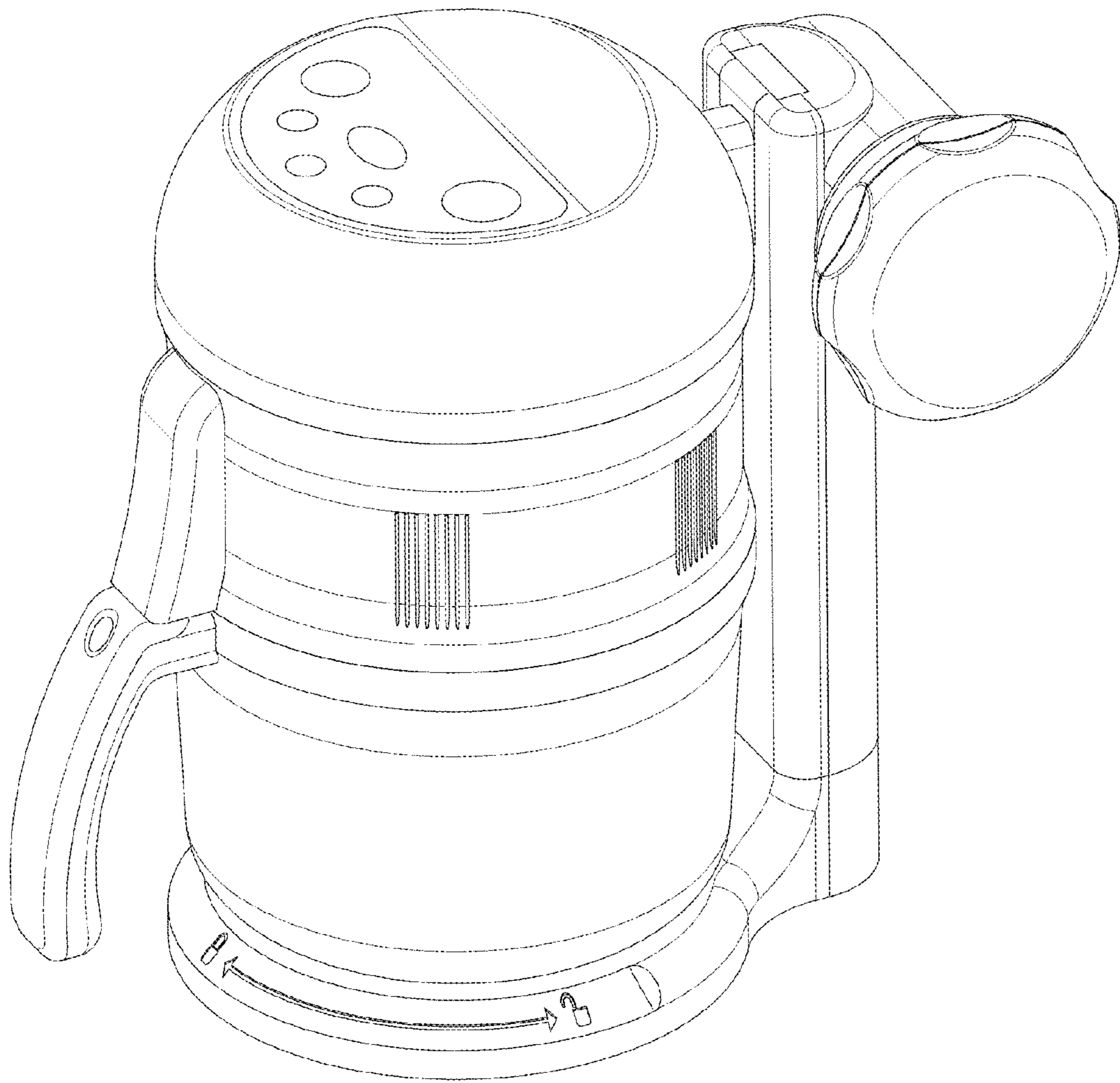


FIG. 2

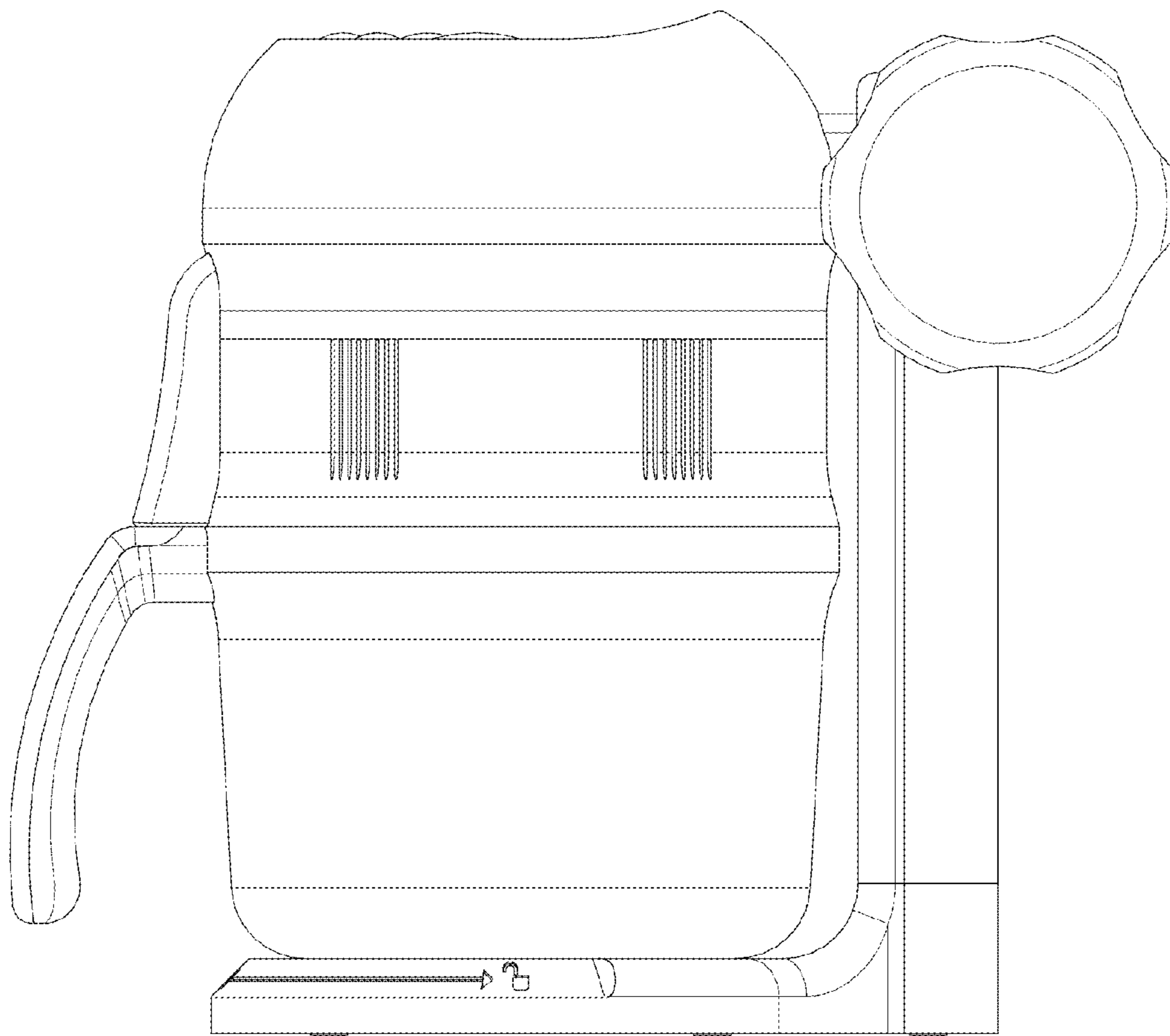


FIG. 3

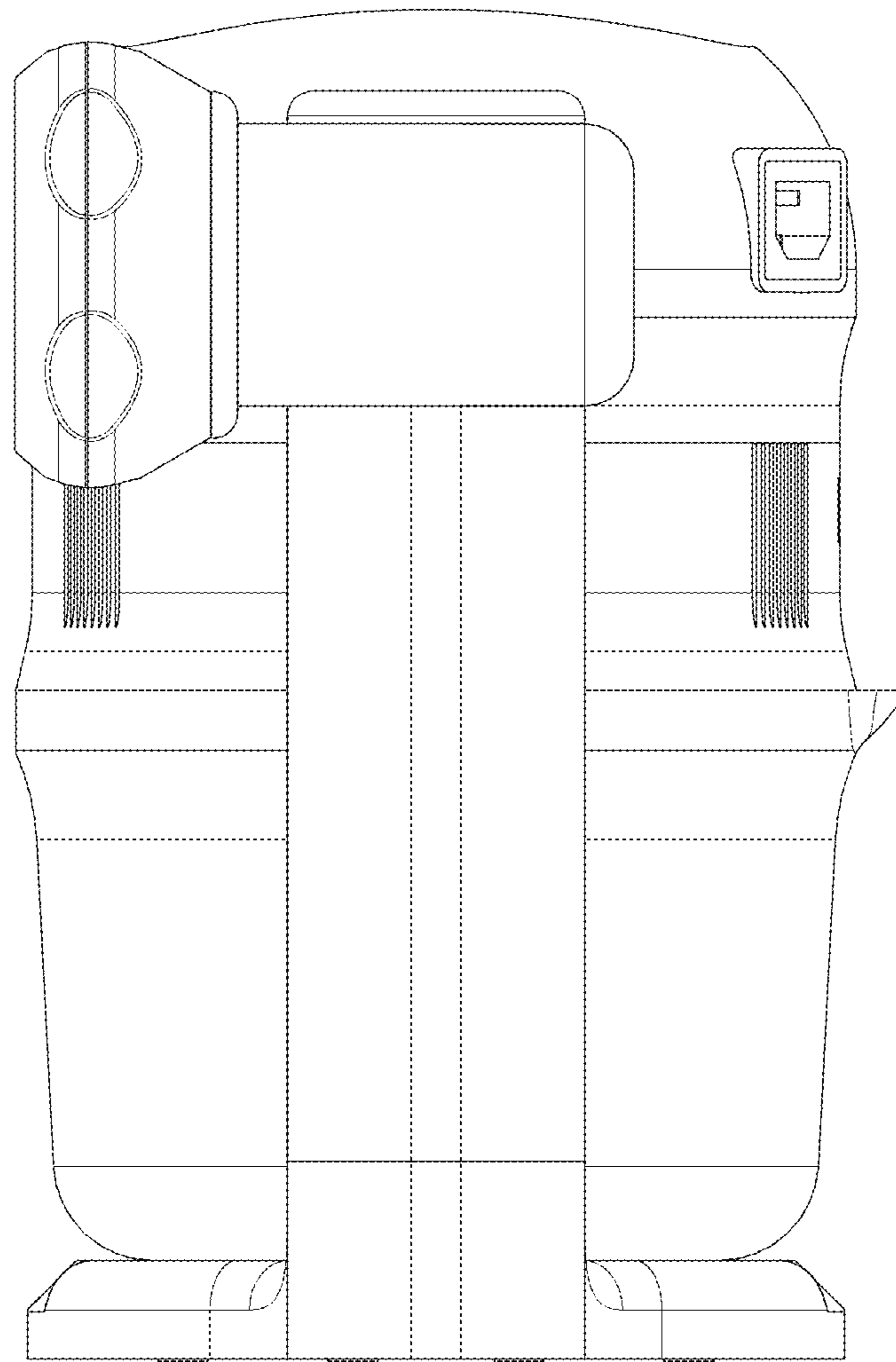


FIG. 4

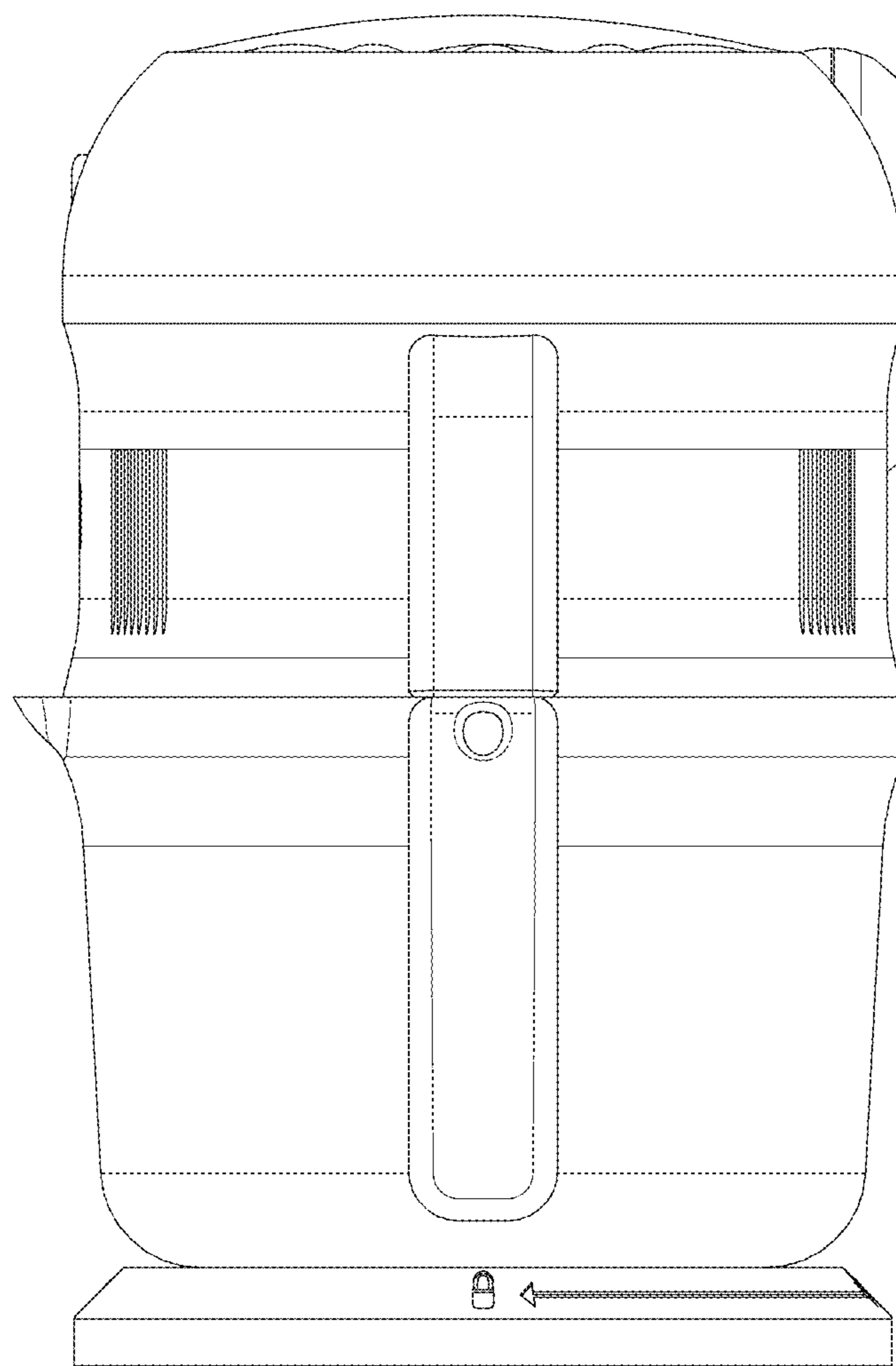


FIG. 5

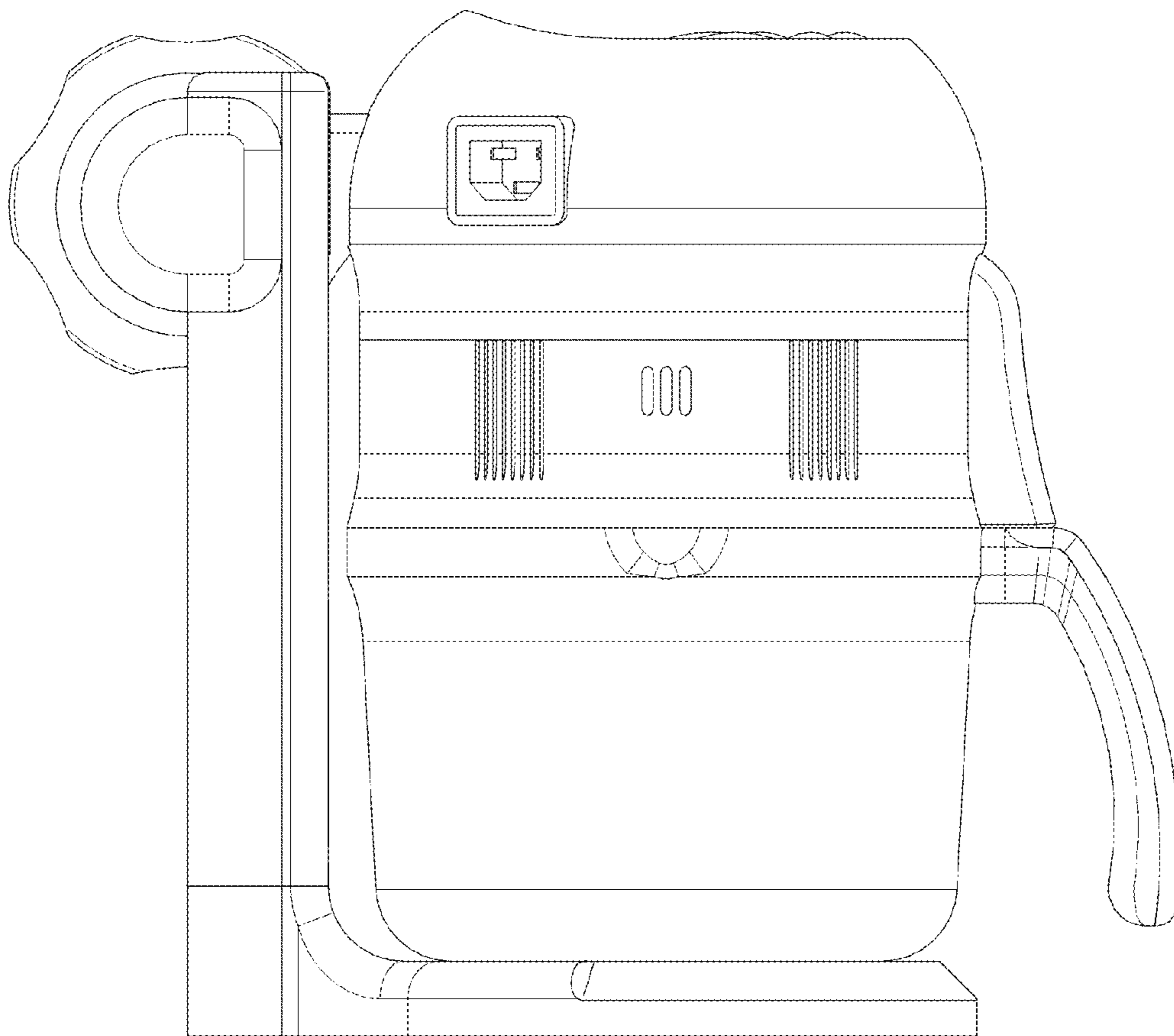


FIG. 6

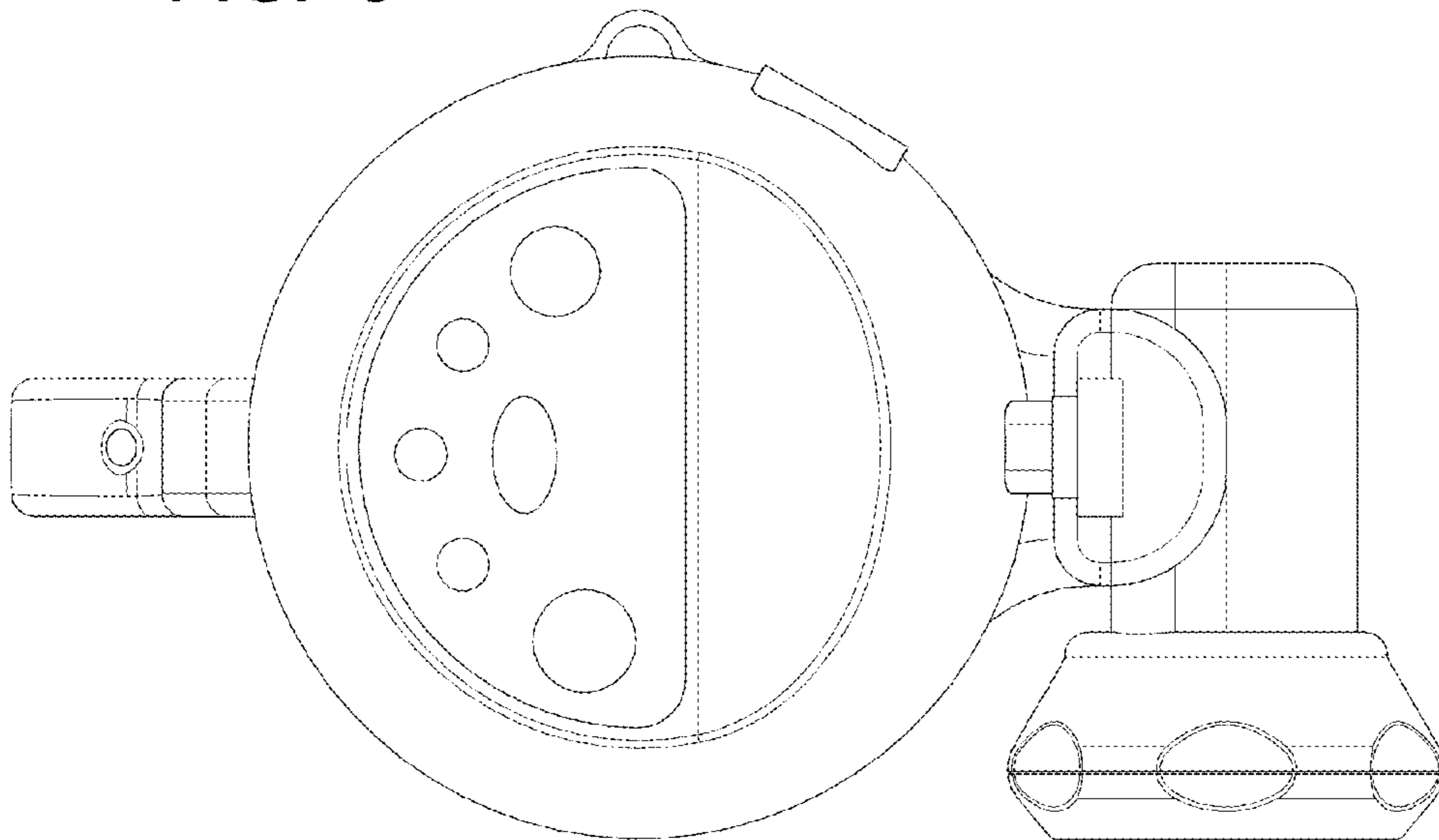


FIG. 7

