



US00D701070S

(12) **United States Design Patent**
Ferrero

(10) **Patent No.:** **US D701,070 S**
(45) **Date of Patent:** **** Mar. 18, 2014**

(54) **WATER DISPENSER**

(56) **References Cited**

(71) Applicant: **Drink Cup S.r.l.**, Settimo Torinese (IT)

(72) Inventor: **Marco Antonio Ferrero**, Settimo Torinese (IT)

(73) Assignee: **Drink Cup S.r.l.**, Settimo Torinese (IT)

(**) Term: **14 Years**

(21) Appl. No.: **29/436,852**

(22) Filed: **Nov. 9, 2012**

(30) **Foreign Application Priority Data**

May 9, 2012 (EM) 002039545

(51) **LOC (10) Cl.** **07-01**

(52) **U.S. Cl.**
USPC **D7/306; D7/313**

(58) **Field of Classification Search**
USPC D7/306, 309-311, 300, 313, 301, 307,
D7/308, 305, 589, 397; 99/323.2, 284,
99/279, 302, 294, 290, 295; 222/146.6,
222/185.1, 683, 1; 62/3.63; D23/207

See application file for complete search history.

U.S. PATENT DOCUMENTS

D350,453	S	*	9/1994	Chaney	D7/306
D456,663	S	*	5/2002	Chew	D7/306
D498,969	S	*	11/2004	Nicol	D7/306
D640,891	S	*	7/2011	Smith	D7/307
D643,239	S	*	8/2011	Wang	D7/306
D643,668	S	*	8/2011	Yui	D7/307
D651,842	S	*	1/2012	Spear et al.	D7/306
D652,668	S	*	1/2012	Wang	D7/306
D668,903	S	*	10/2012	Walton et al.	D7/306
D677,102	S	*	3/2013	Walton et al.	D7/306

* cited by examiner

Primary Examiner — Marianne Pandozzi

(74) *Attorney, Agent, or Firm* — Seed IP Law Group PLLC

(57) **CLAIM**

The ornamental design for a water dispenser, as shown and described.

DESCRIPTION

FIG. 1 is a perspective view of a water dispenser showing my new design.

FIG. 2 is a front elevation view thereof.

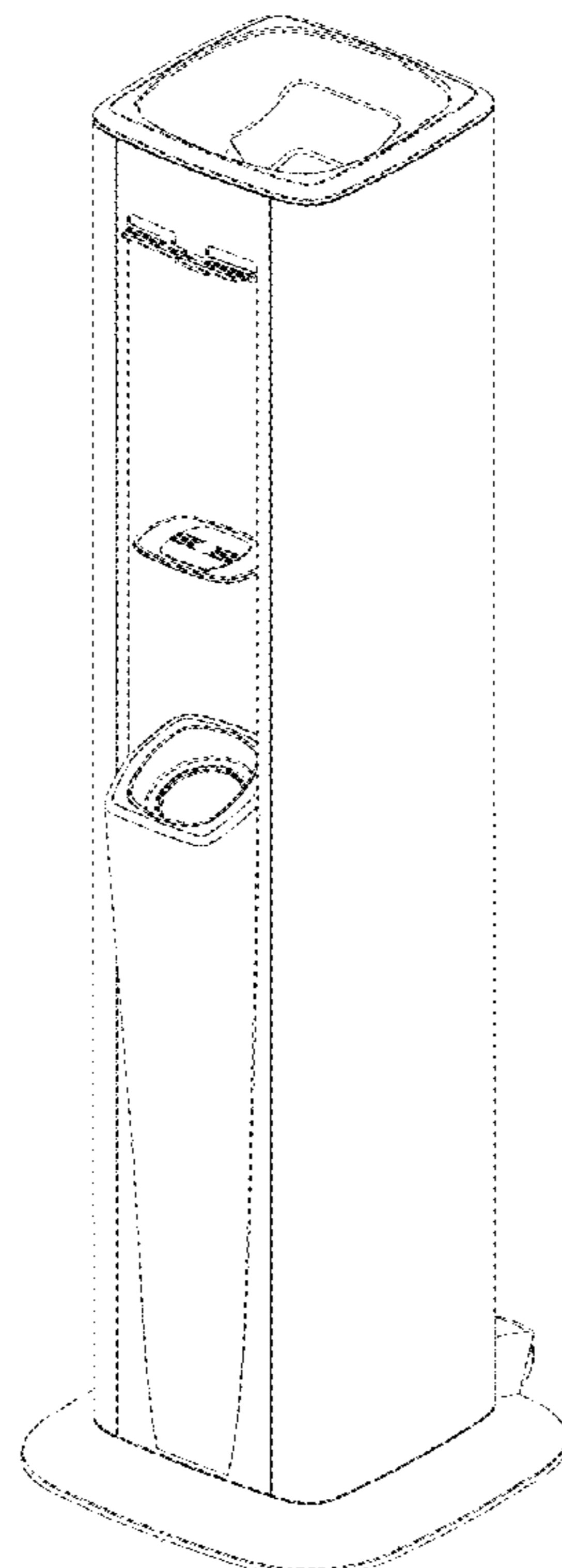
FIG. 3 is a rear elevation view thereof.

FIG. 4 is a right side view thereof.

FIG. 5 is a left side view thereof; and,

FIG. 6 is a top plan view thereof.

1 Claim, 6 Drawing Sheets



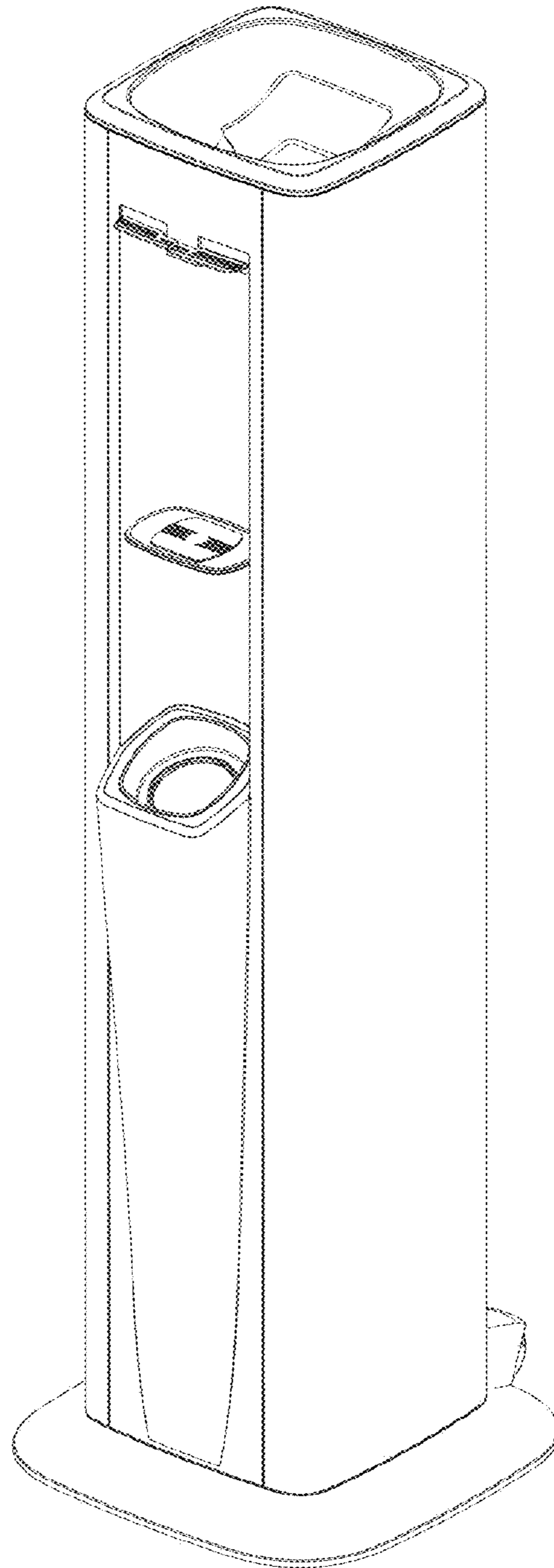


FIG. 1

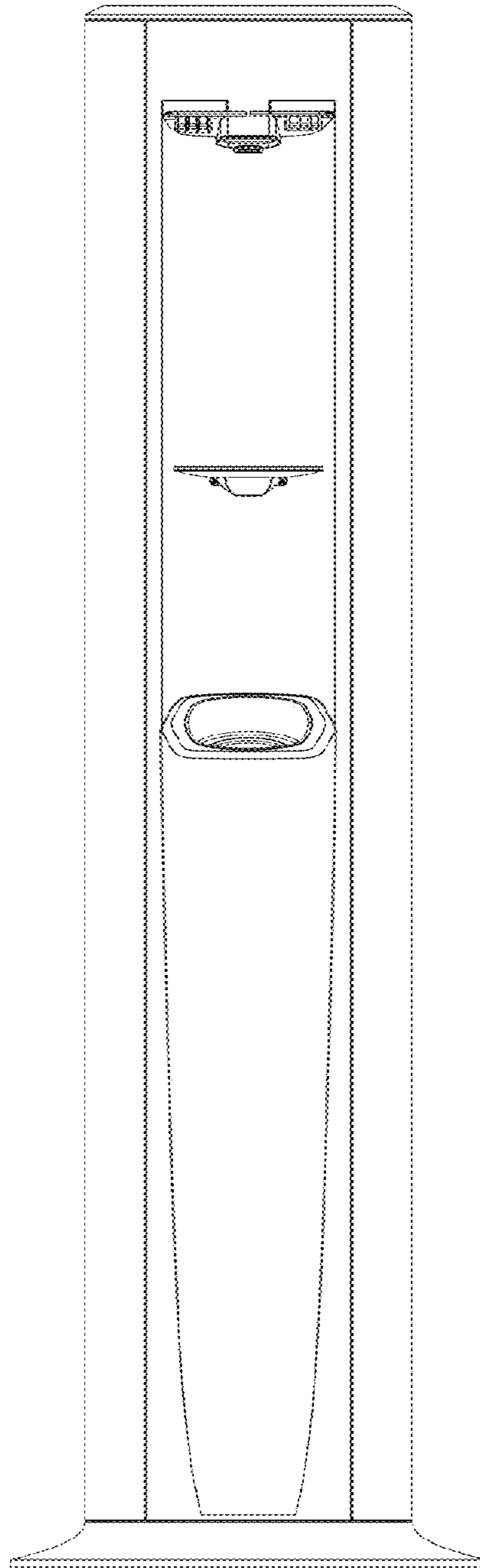


FIG. 2

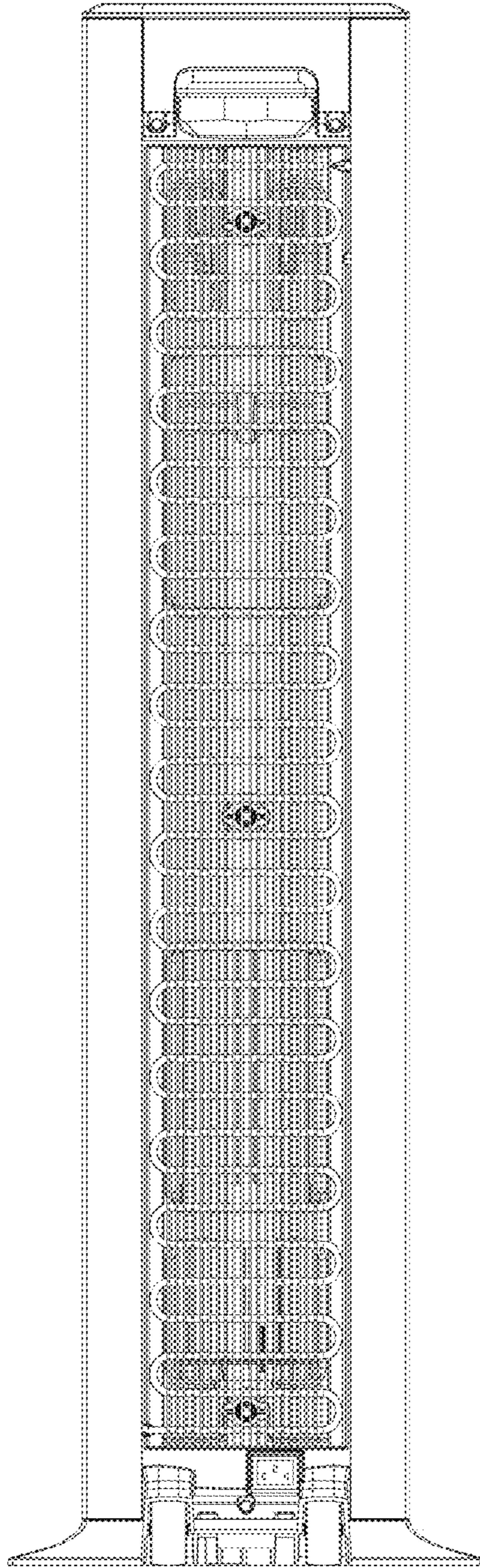


FIG. 3

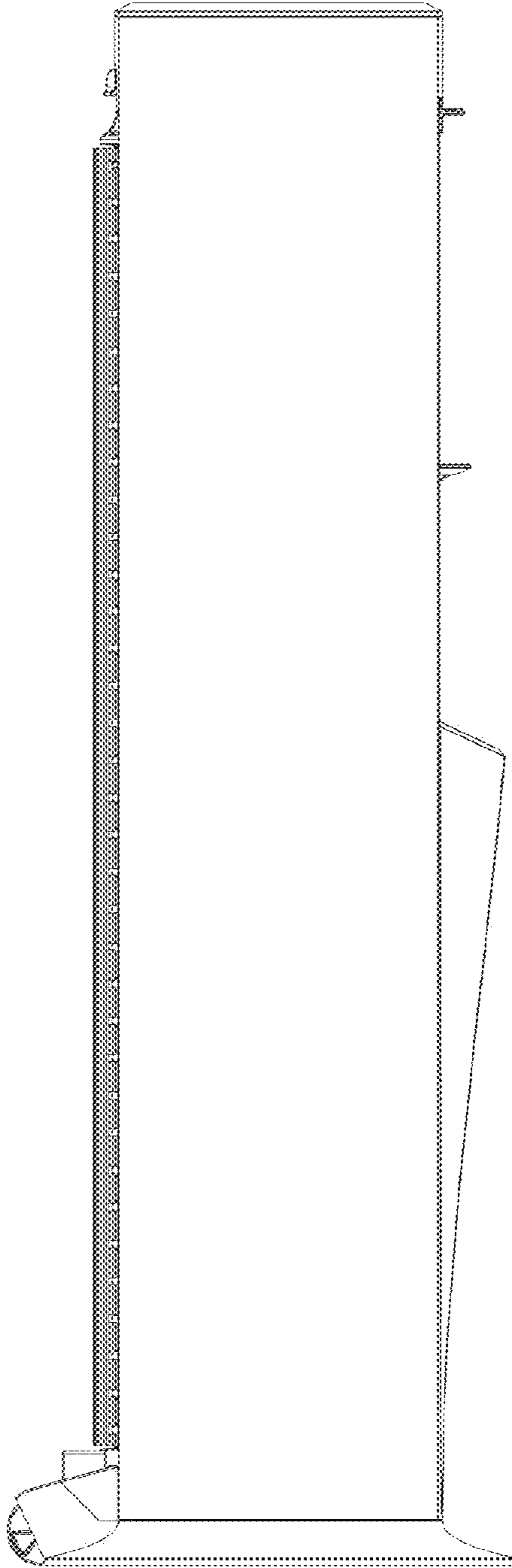


FIG. 4

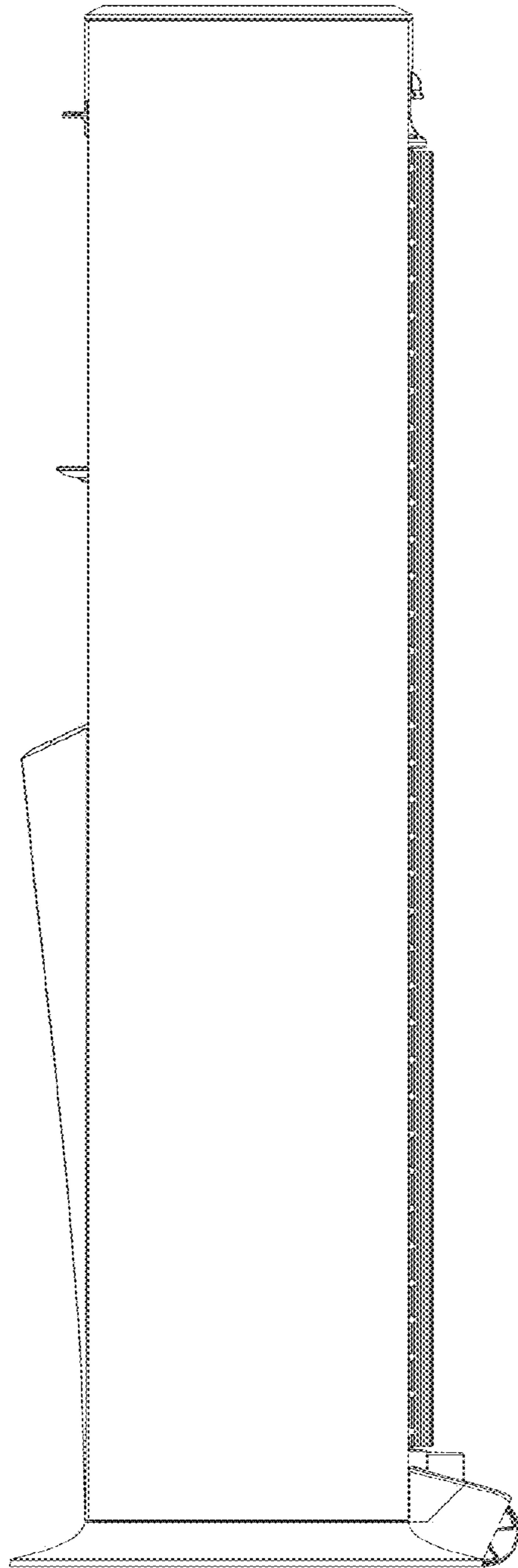


FIG. 5

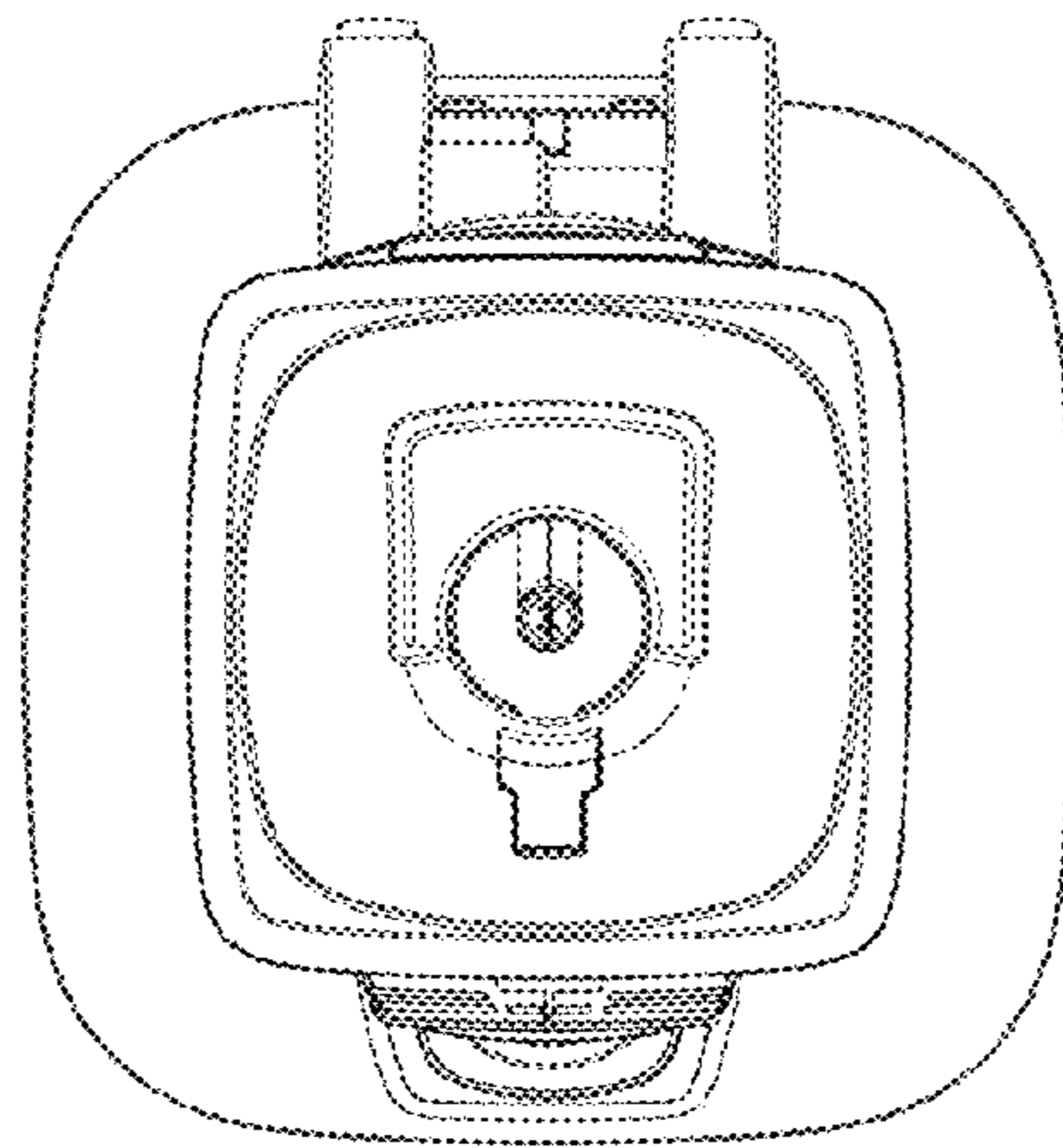


FIG. 6