



US00D701068S

(12) **United States Design Patent**
Usumoto et al.

(10) **Patent No.:** **US D701,068 S**
(45) **Date of Patent:** **** Mar. 18, 2014**

(54) **CHAIR**

(75) Inventors: **Hiroto Usumoto**, Osaka (JP); **Shinji Inoue**, Osaka (JP)

(73) Assignee: **Itoki Corporation**, Osaka-shi, Osaka (JP)

(**) Term: **14 Years**

(21) Appl. No.: **29/425,910**

(22) Filed: **Jun. 28, 2012**

(30) **Foreign Application Priority Data**

Mar. 21, 2012 (JP) 2012-006307

Mar. 21, 2012 (JP) 2012-006309

(51) **LOC (10) Cl.** **06-01**

(52) **U.S. Cl.**
USPC **D6/716; D6/366**

(58) **Field of Classification Search**
USPC D6/334-336, 364, 365, 366, 367, 374,
D6/376, 379, 380, 716, 716.1, 716.2,
D6/716.3, 716.4; 297/411.2, 411.27,
297/411.36, 452.13, 452.21, 452.29, 452.3,
297/452.32, 452.48, 452.56

See application file for complete search history.

(56) **References Cited**

U.S. PATENT DOCUMENTS

D567,521 S *	4/2008	Igarashi	D6/366
D613,086 S *	4/2010	Fujita	D6/366
D654,709 S *	2/2012	Fujita	D6/366
D671,330 S *	11/2012	Izawa	D6/366
D671,331 S *	11/2012	Izawa	D6/366
D671,332 S *	11/2012	Izawa	D6/366
D671,759 S *	12/2012	Hurford	D6/366

* cited by examiner

Primary Examiner — Mimoso De

(74) *Attorney, Agent, or Firm* — Drinker Biddle & Reath LLP

(57) **CLAIM**

The ornamental design for the chair, as shown and described.

DESCRIPTION

FIG. 1 is a rear perspective view of the chair in a first embodiment;

FIG. 2 is a front perspective view thereof;

FIG. 3 is a front view thereof;

FIG. 4 is a rear view thereof;

FIG. 5 is a left side view thereof;

FIG. 6 is a right side view thereof;

FIG. 7 is a top plan view thereof; and,

FIG. 8 is a bottom view thereof.

The portions of the article in broken lines are shown for illustrative purposes only and form no part of the claimed design.

1 Claim, 8 Drawing Sheets

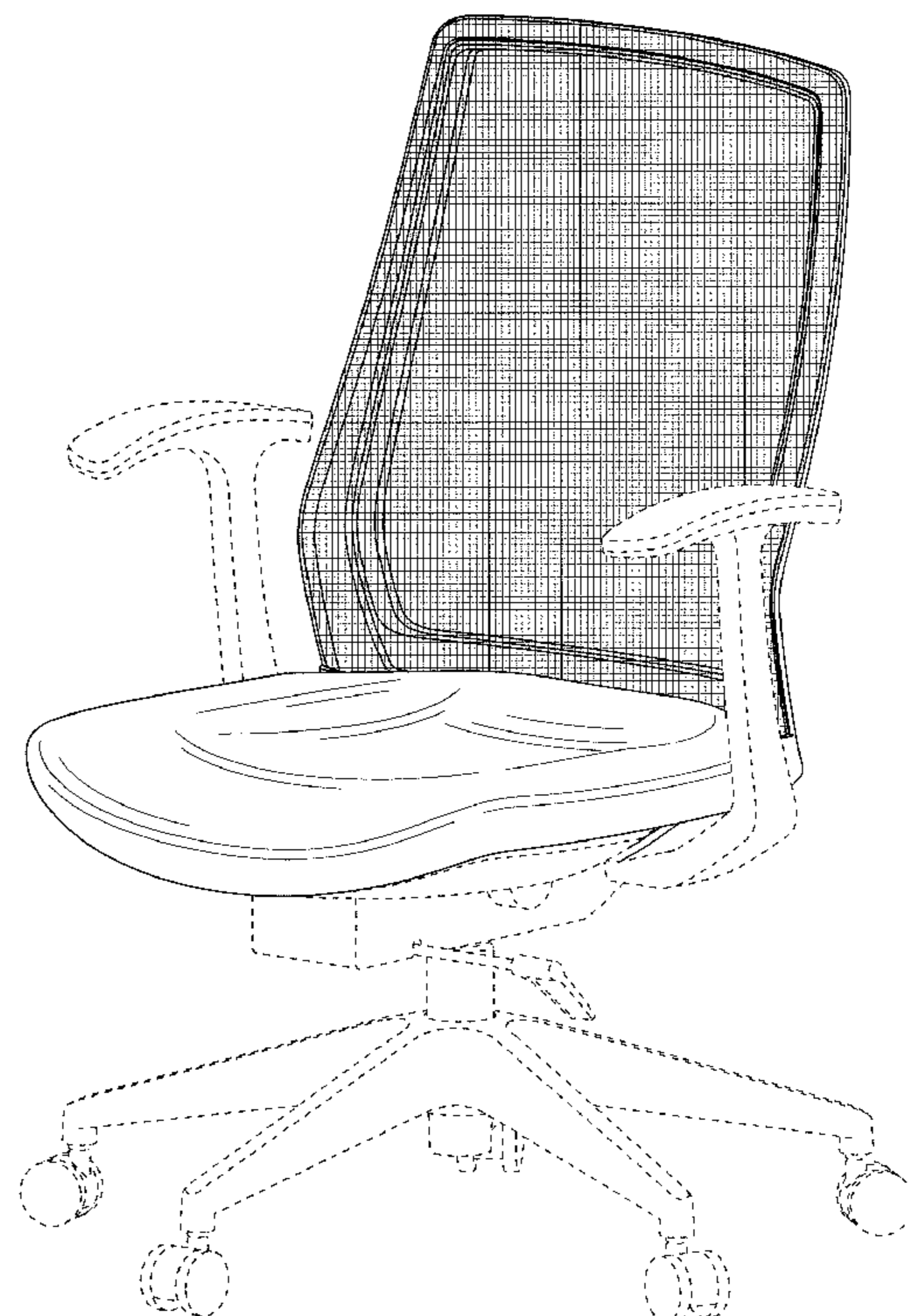
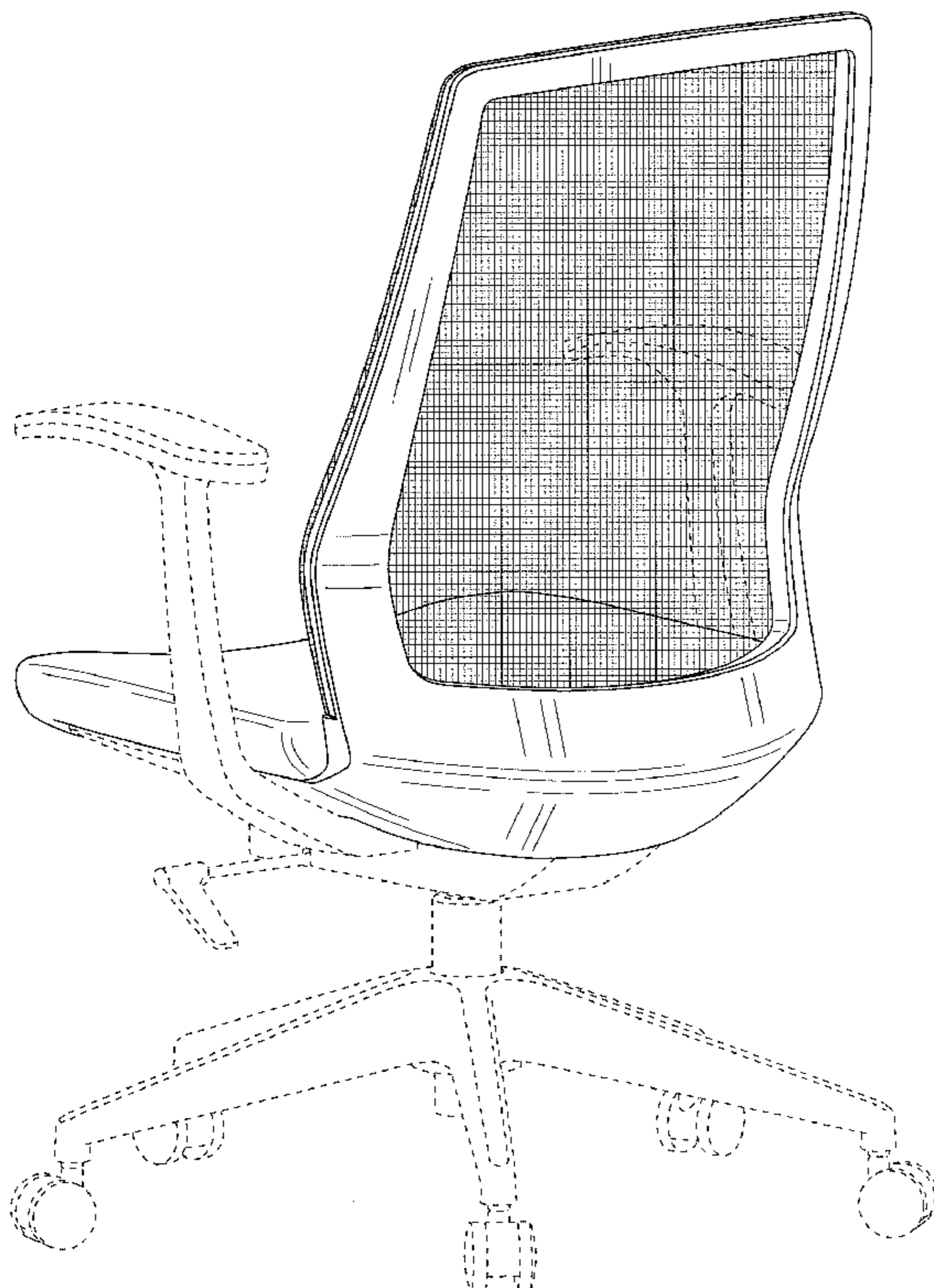


Fig. 1

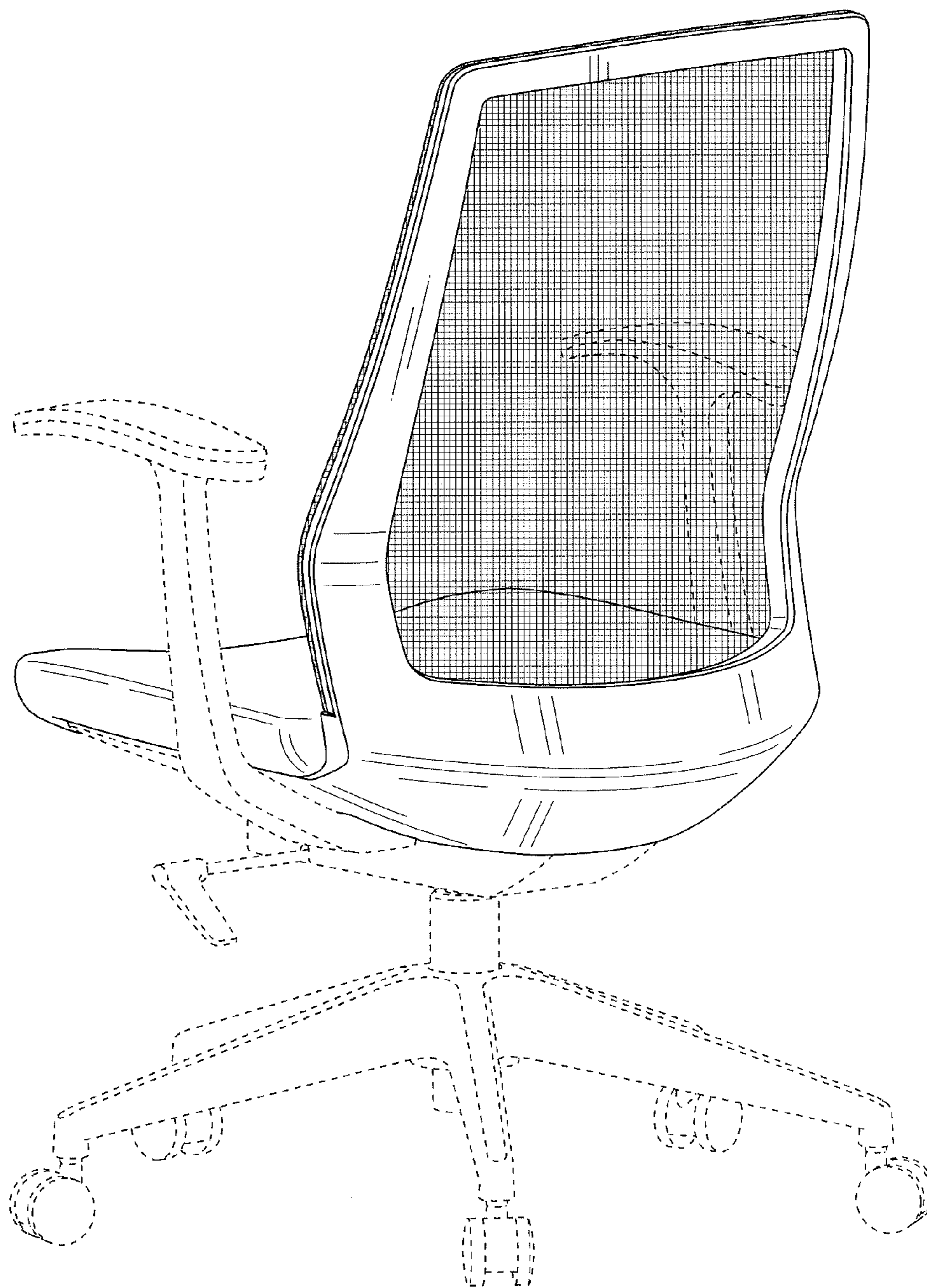


Fig. 2

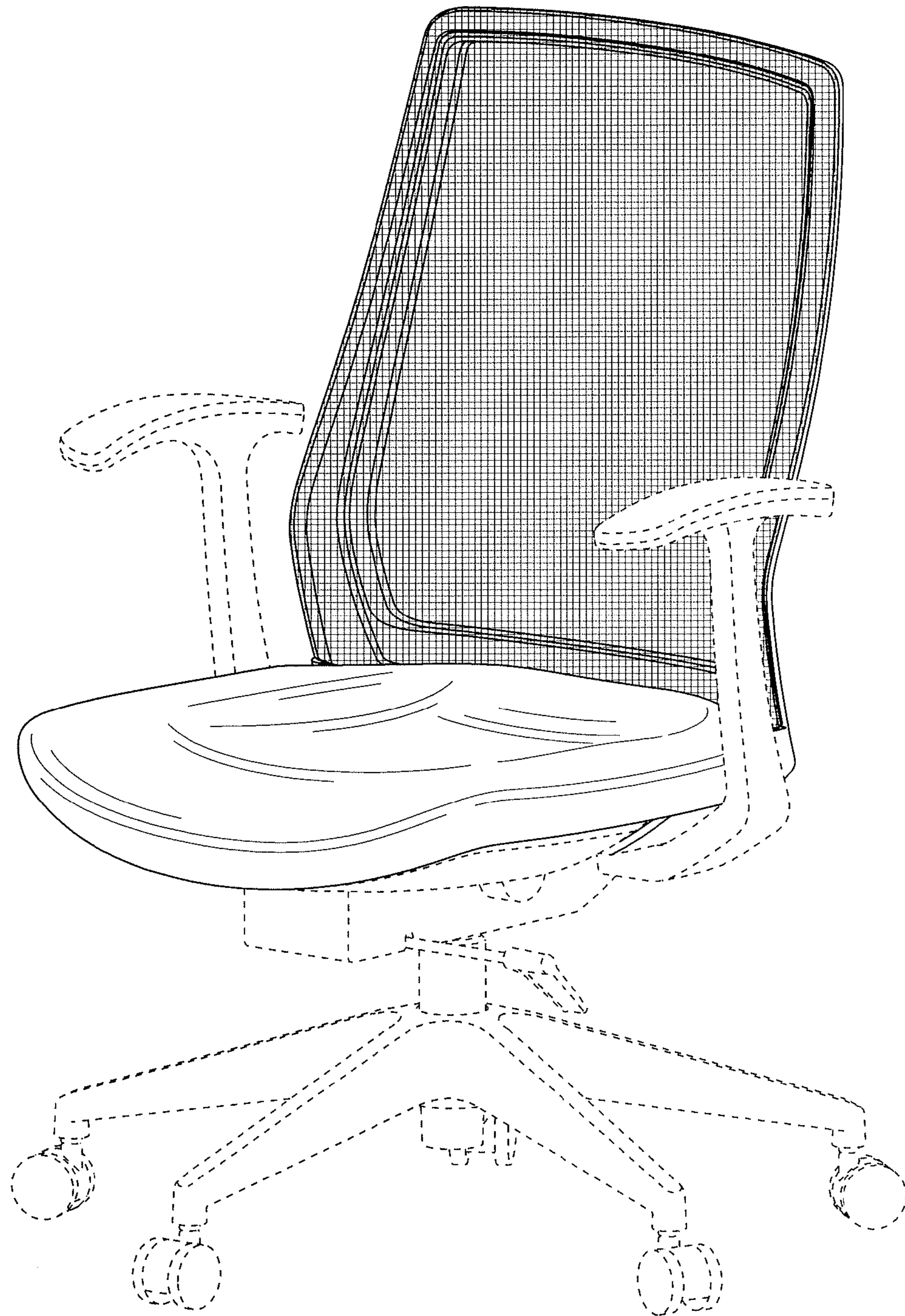


Fig. 3

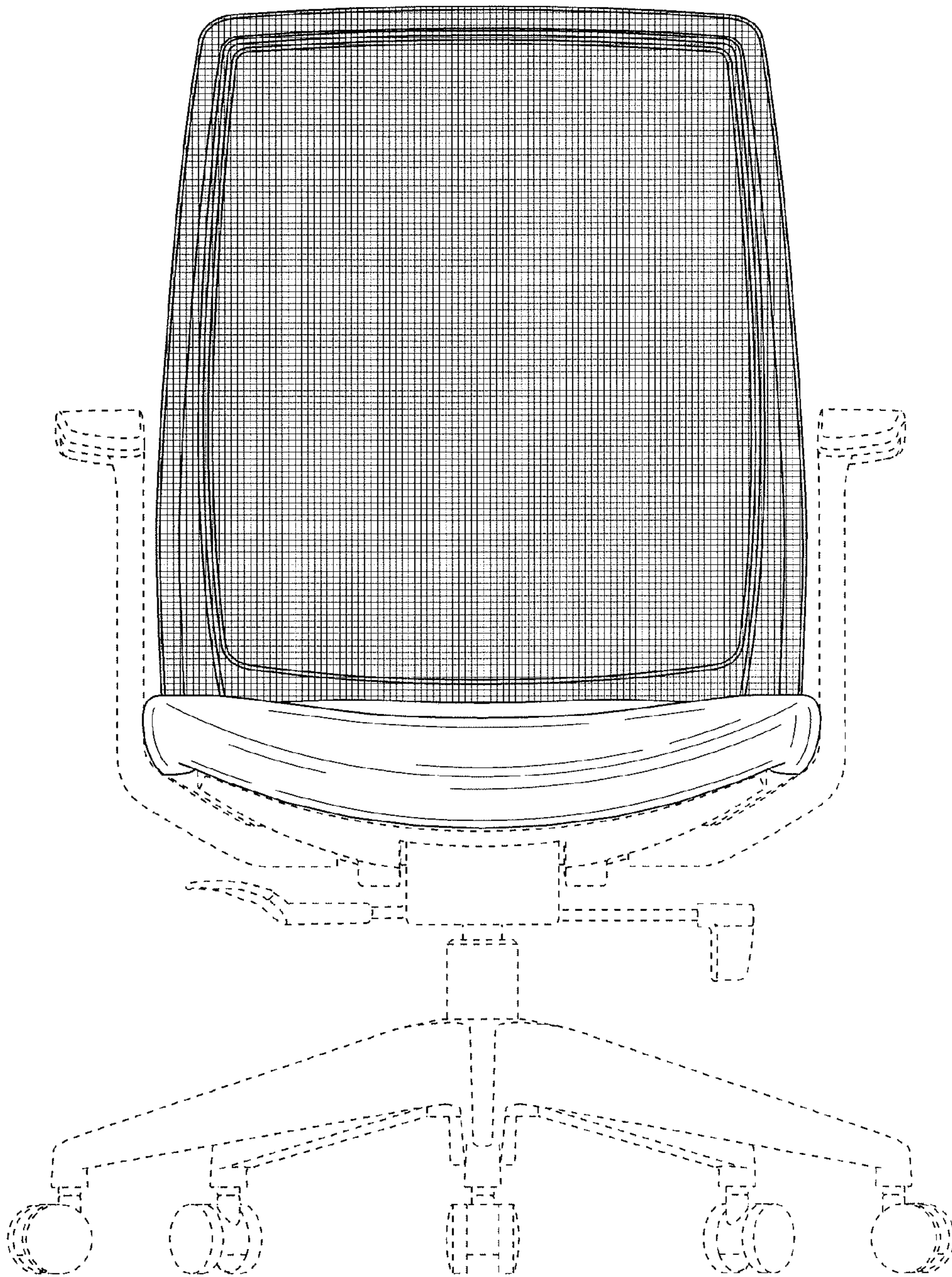


Fig. 4

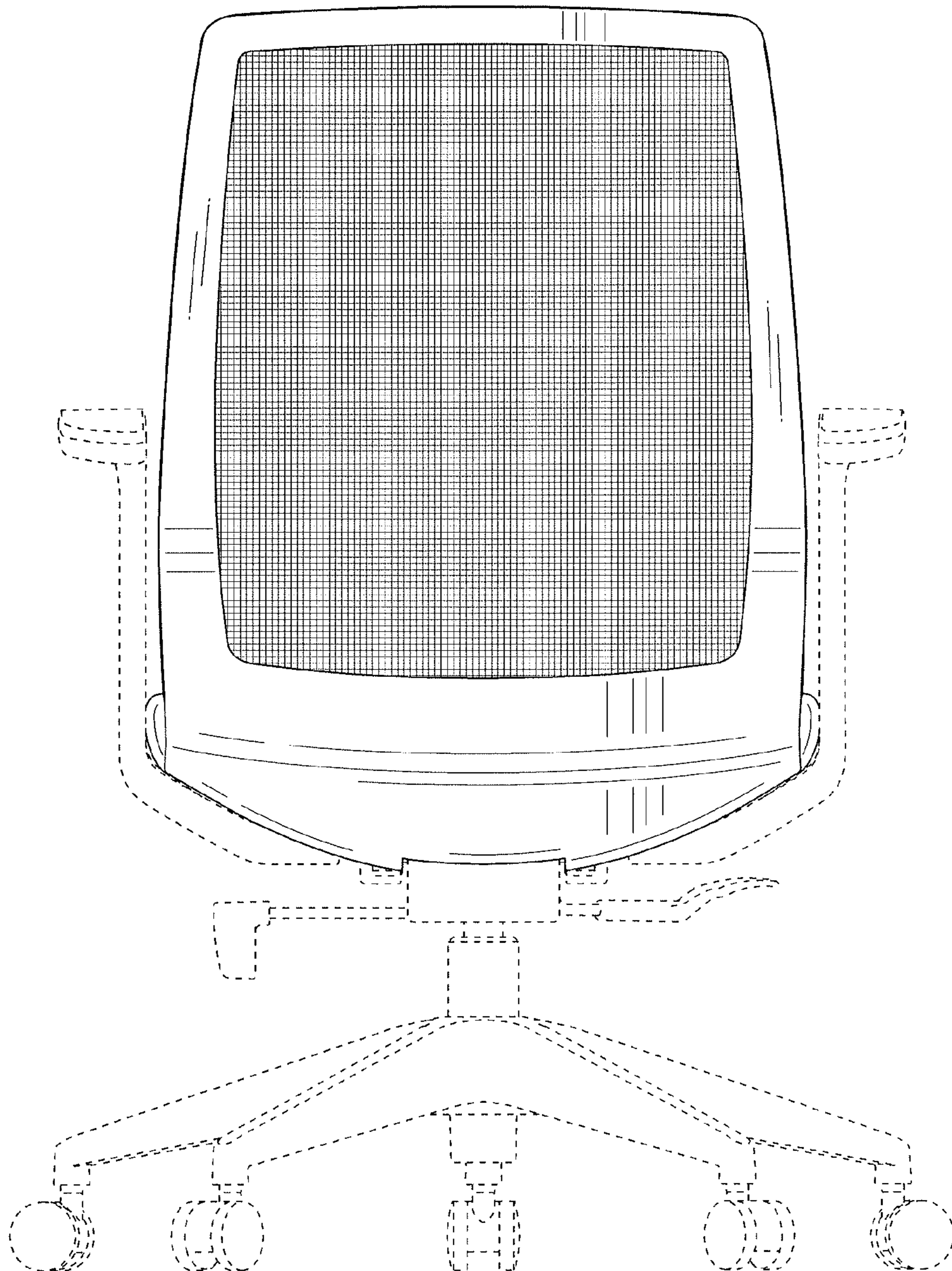


Fig. 5

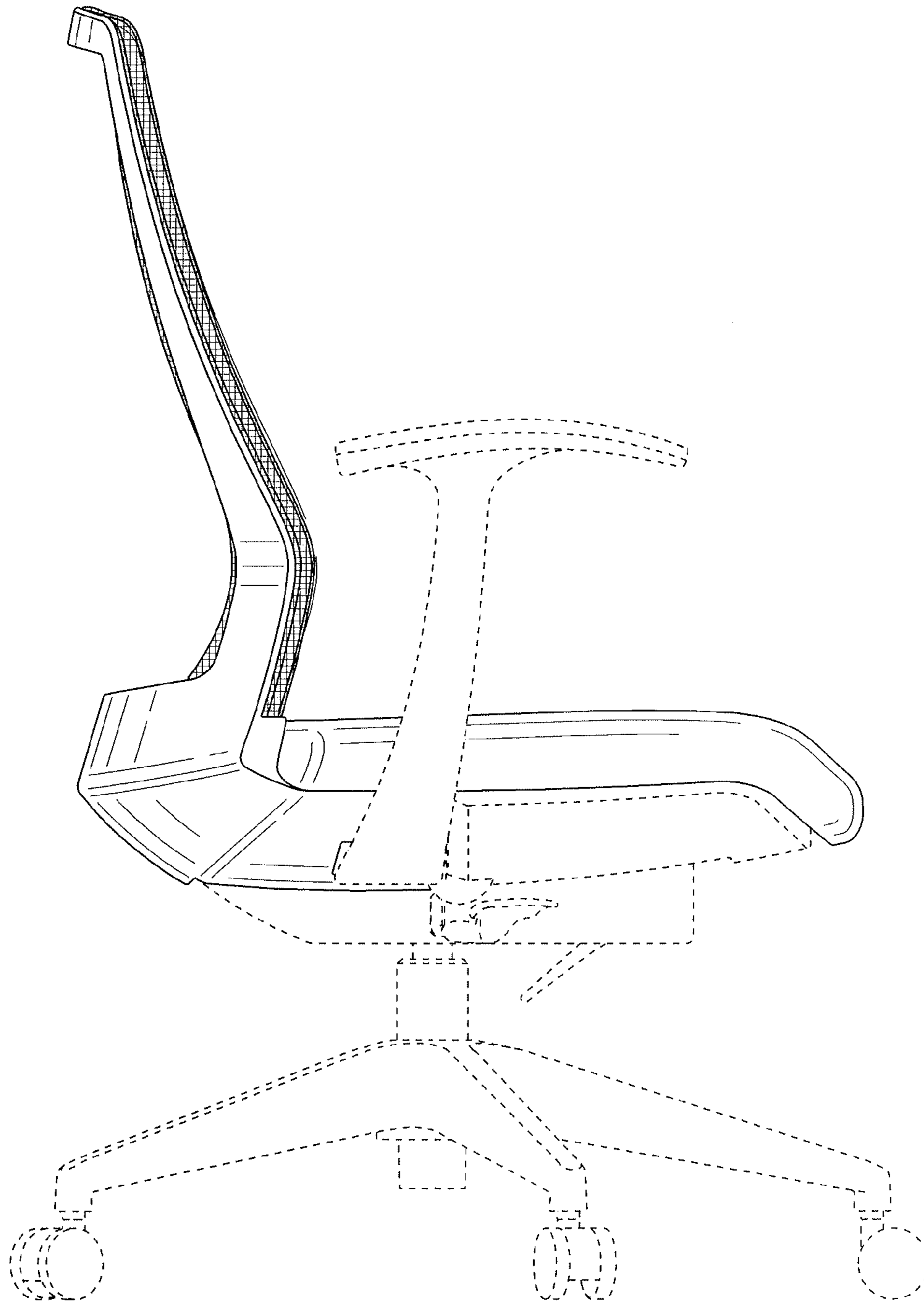


Fig. 6

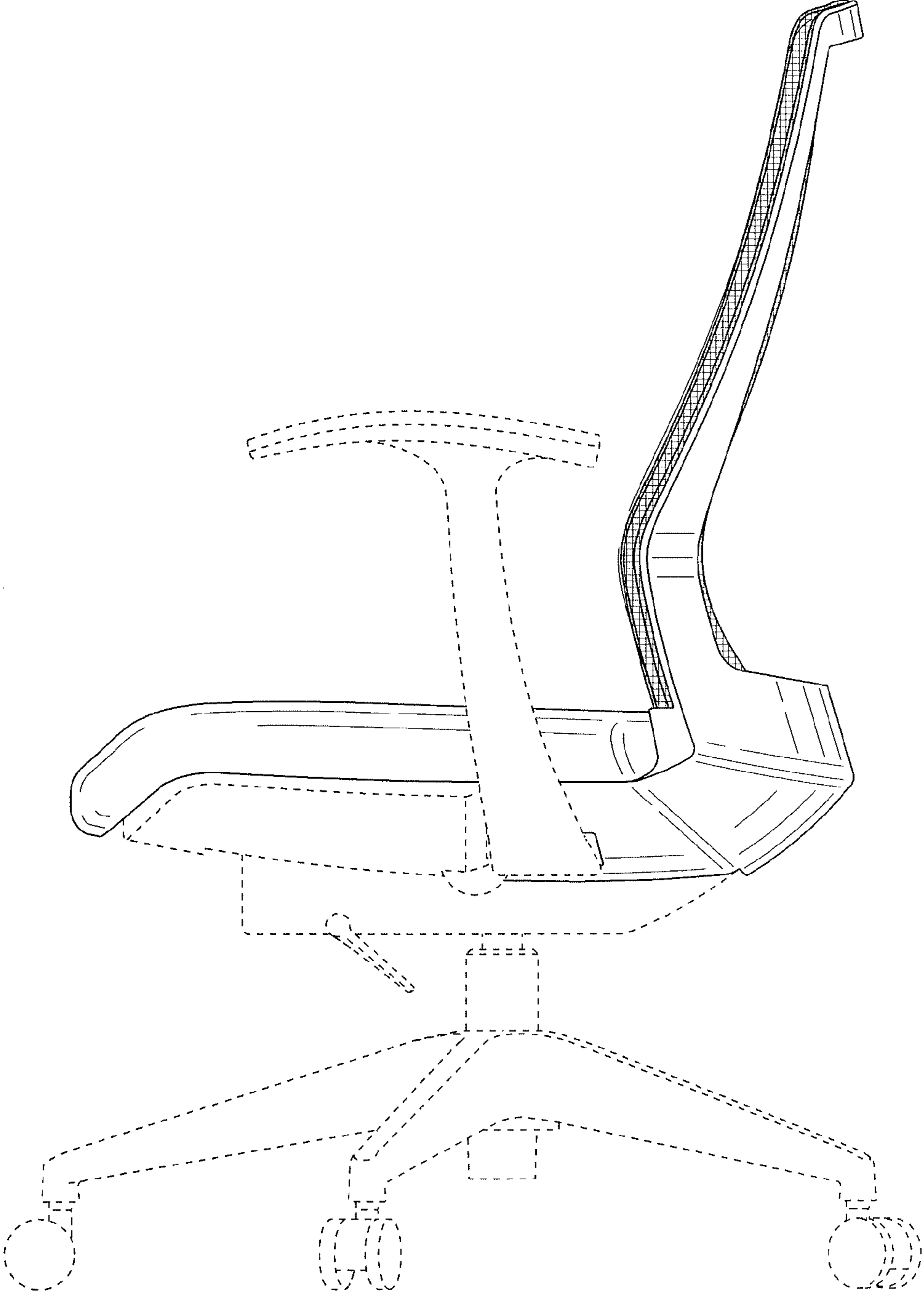


Fig. 7

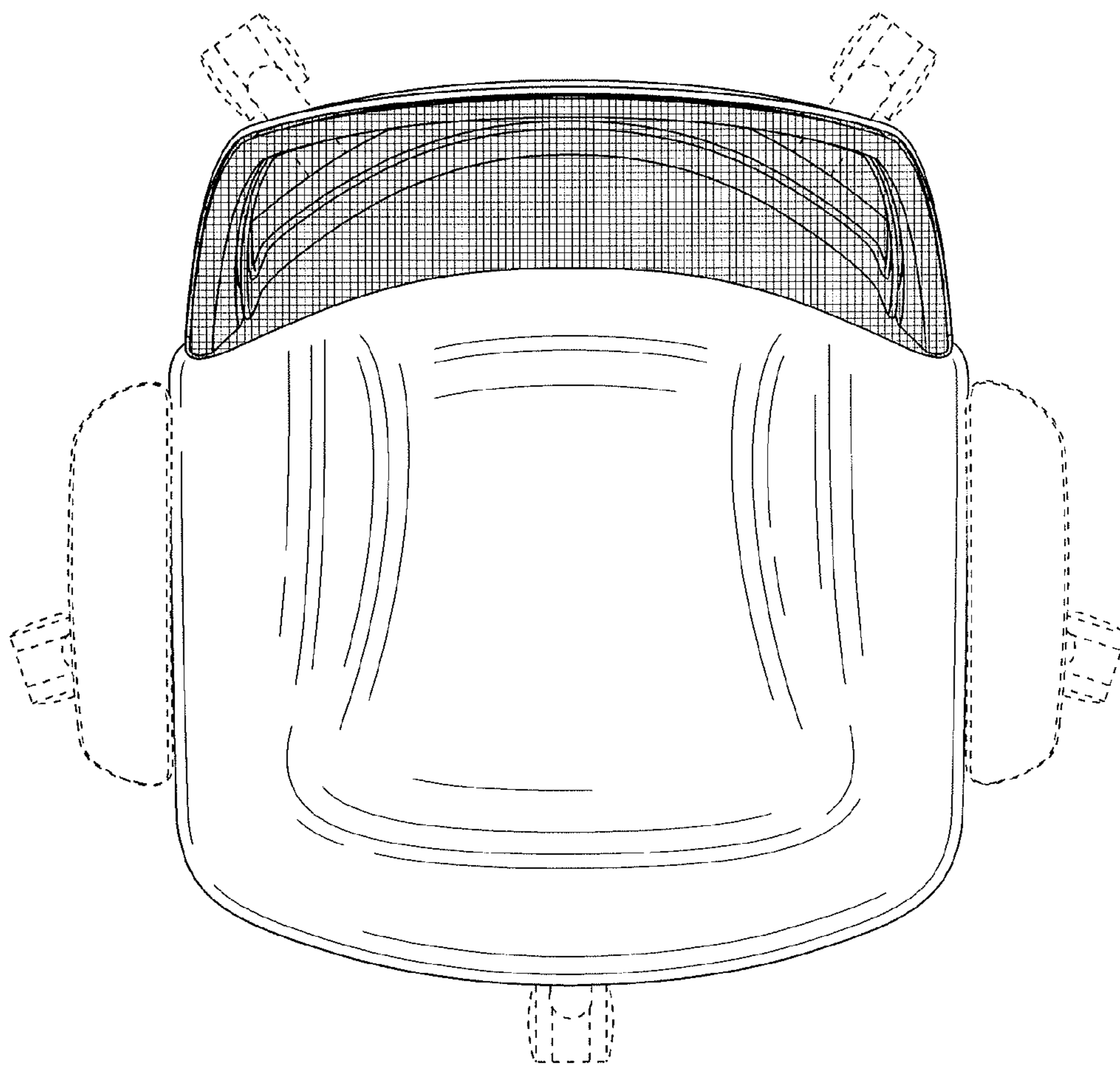


Fig. 8

