



US00D701067S

(12) **United States Design Patent**
Lenterman

(10) **Patent No.:** **US D701,067 S**
(45) **Date of Patent:** **** *Mar. 18, 2014**

- (54) **BAR TABLE BASE**
- (71) Applicant: **Intro-Tech Automotive, Inc.**, Chino, CA (US)
- (72) Inventor: **Henri B. Lenterman**, Chino Hills, CA (US)
- (73) Assignee: **Intro-Tech Automotive, Inc.**, Chino, CA (US)
- (*) Notice: This patent is subject to a terminal disclaimer.
- (**) Term: **14 Years**
- (21) Appl. No.: **29/434,767**
- (22) Filed: **Oct. 16, 2012**
- (51) **LOC (10) Cl.** **06-06**
- (52) **U.S. Cl.**
USPC **D6/708.16; D6/708.17**
- (58) **Field of Classification Search**
USPC D6/691.4, 692.3, 695, 695.2, 708.17, D6/366; 108/150, 151, 153.1, 155, 156, 108/157.1, 158.12, 161, 144.11, 145-147, 108/147.19; 248/188, 188.1
See application file for complete search history.

- D333,056 S * 2/1993 Kaye D6/495
- D437,512 S * 2/2001 Simmons D6/488
- D466,727 S * 12/2002 Abboud et al. D6/486
- D488,630 S * 4/2004 McCann D6/366
- D586,155 S * 2/2009 Lenterman D6/480
- D611,262 S * 3/2010 Grcic D6/366
- 8,079,644 B1 * 12/2011 Pangilinan 297/461
- D693,615 S * 11/2013 Lenterman D6/708.17

* cited by examiner

Primary Examiner — Janice Seeger

(74) *Attorney, Agent, or Firm* — Intellectual Property Law Offices of Joel Voelzke, APC

(57) **CLAIM**

The ornamental design of a bar table base, as shown and described.

DESCRIPTION

This application is related U.S. patent application Ser. Nos. 29/434,688 and 29/434,696 which are filed concurrently herewith.

FIG. 1 is an oblique view of a bar table base showing my new design;
FIG. 2 is a side elevation view thereof;
FIG. 3 is side elevation view thereof, showing the side that is opposite the side shown in FIG. 2; and
FIG. 4 is a side elevation view thereof, showing a side that is 90° from the side shown in FIG. 2;
FIG. 5 is side elevation view thereof, showing the side that is opposite the side shown in FIG. 4; and,
FIG. 6 is a top plan view thereof.

The broken line showing of the table top is included for the purpose of illustrating environmental structure and forms no part of the claimed design.

1 Claim, 6 Drawing Sheets

(56) **References Cited**

U.S. PATENT DOCUMENTS

- 1,482,743 A * 2/1924 Grover 248/188.7
- D80,243 S * 12/1929 Moore D6/485
- D265,878 S * 8/1982 Wistehuff D6/488
- D273,729 S * 5/1984 Pelly et al. D6/366

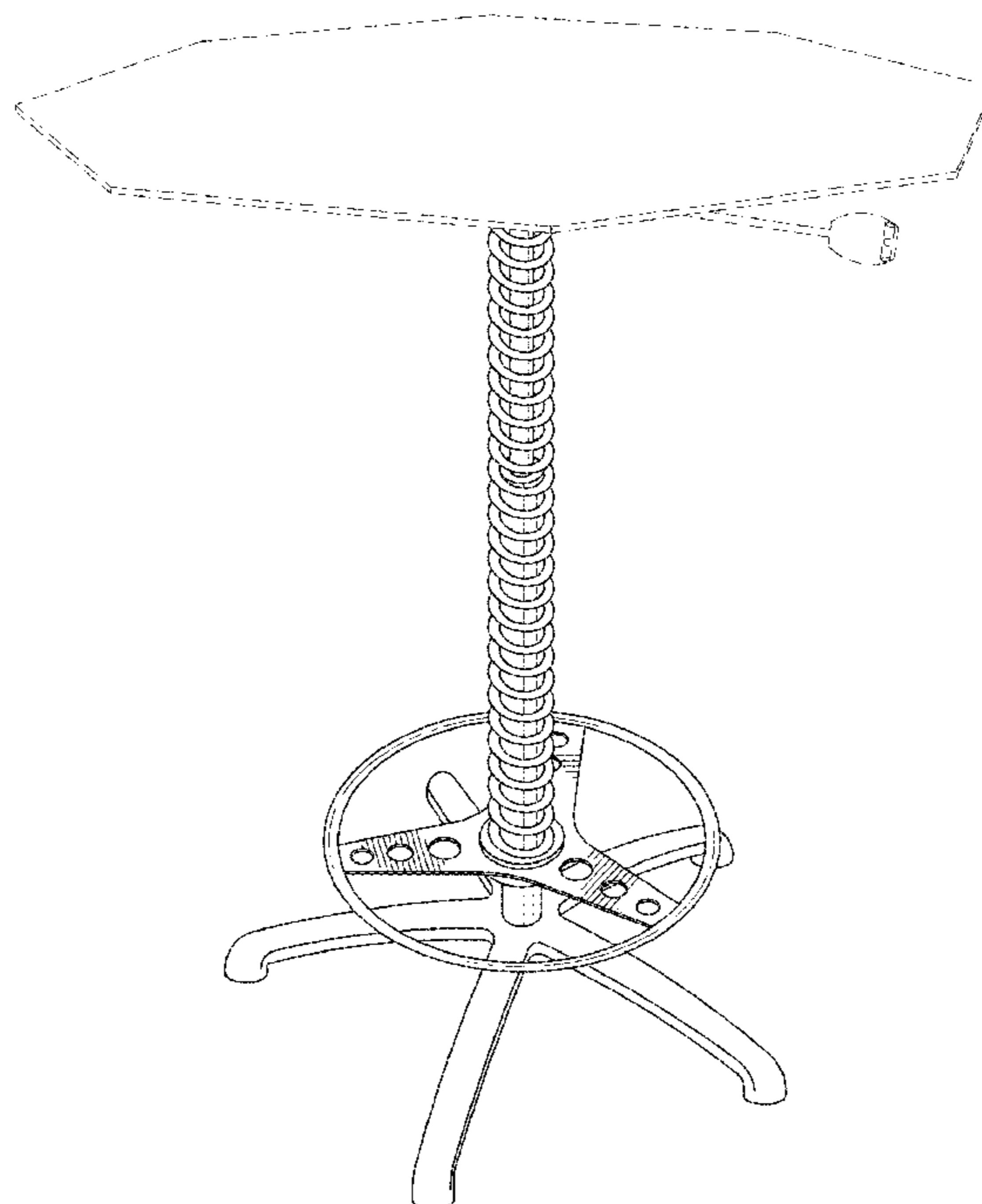


FIG. 1

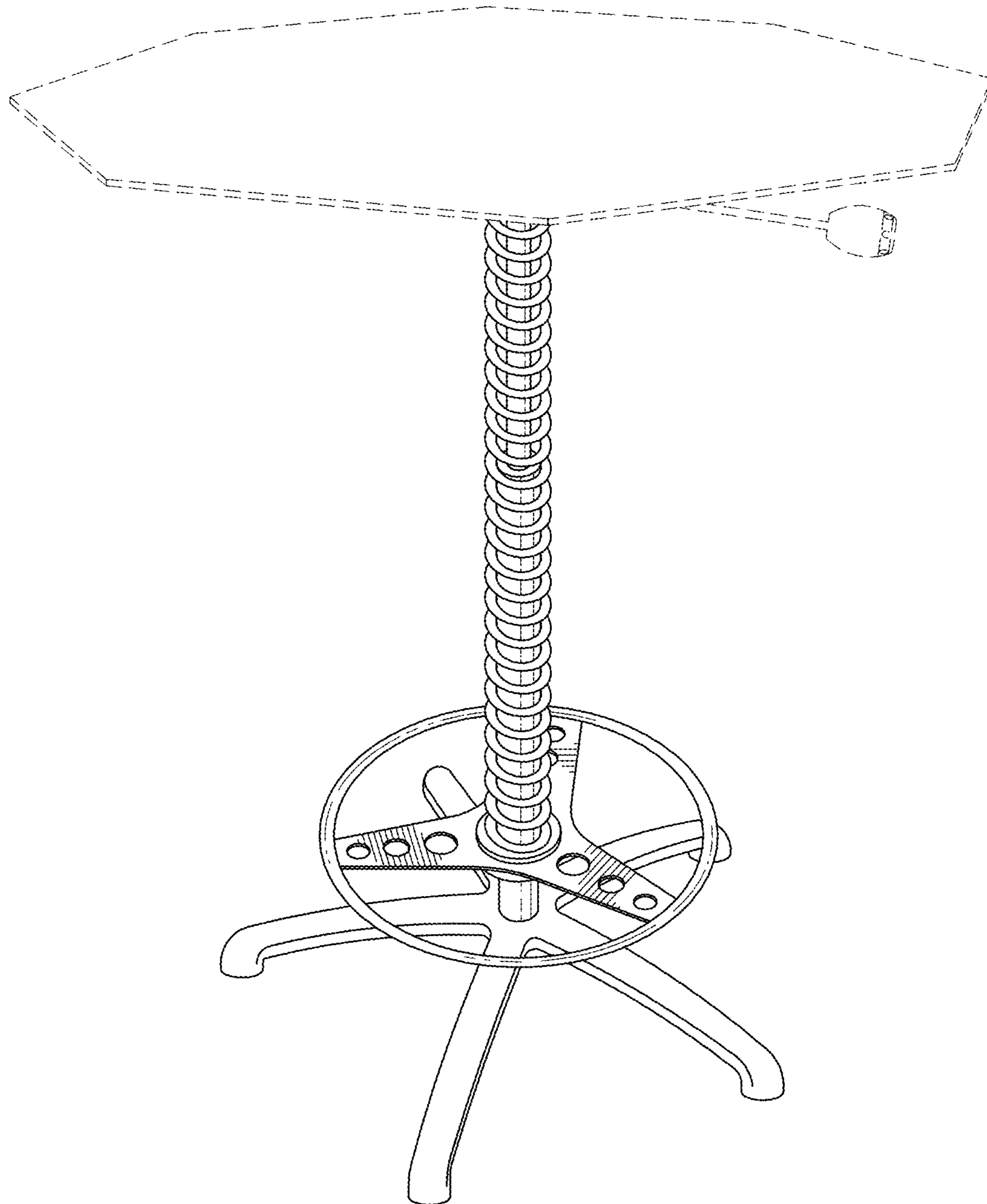


FIG. 2

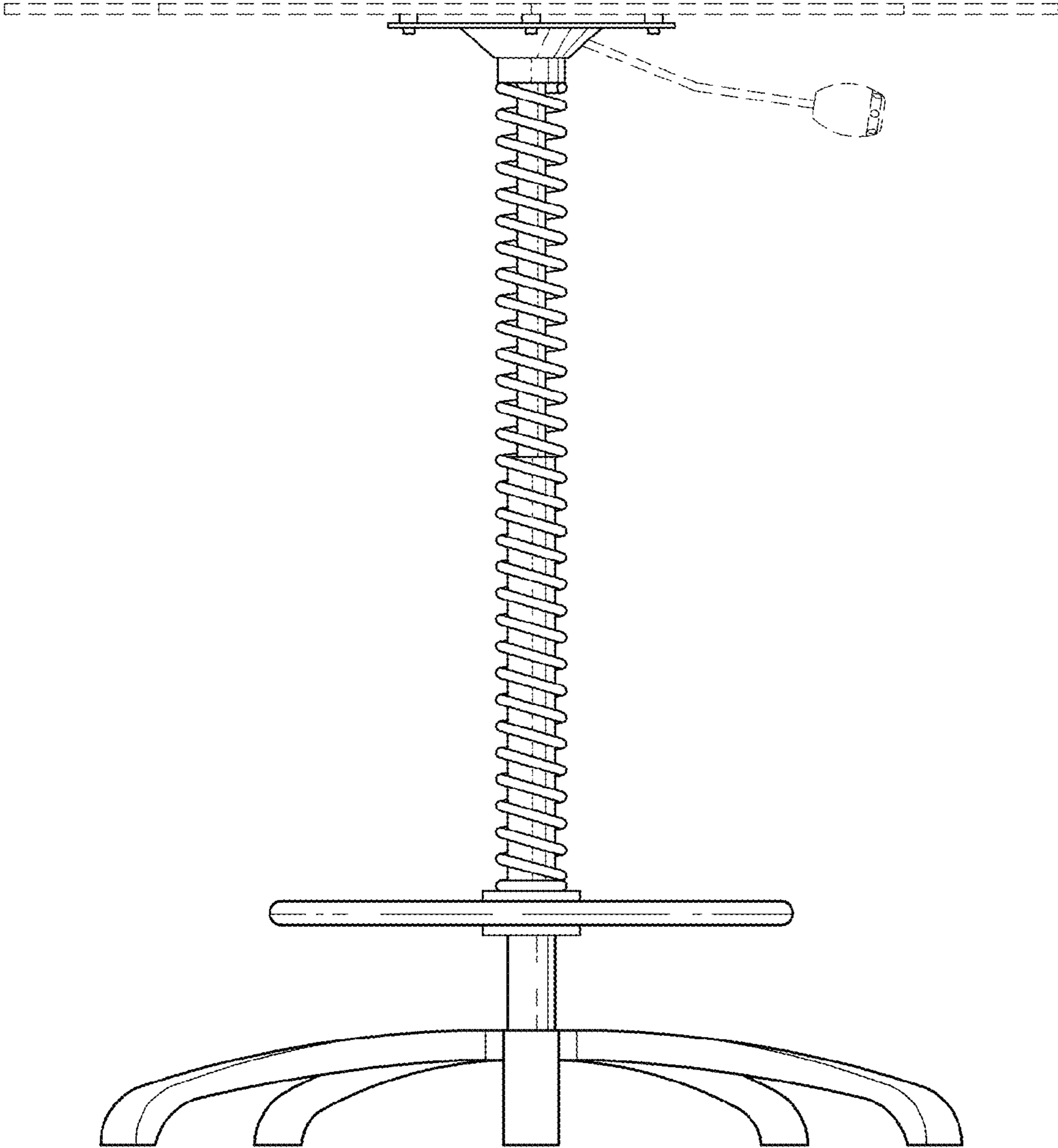


FIG. 3

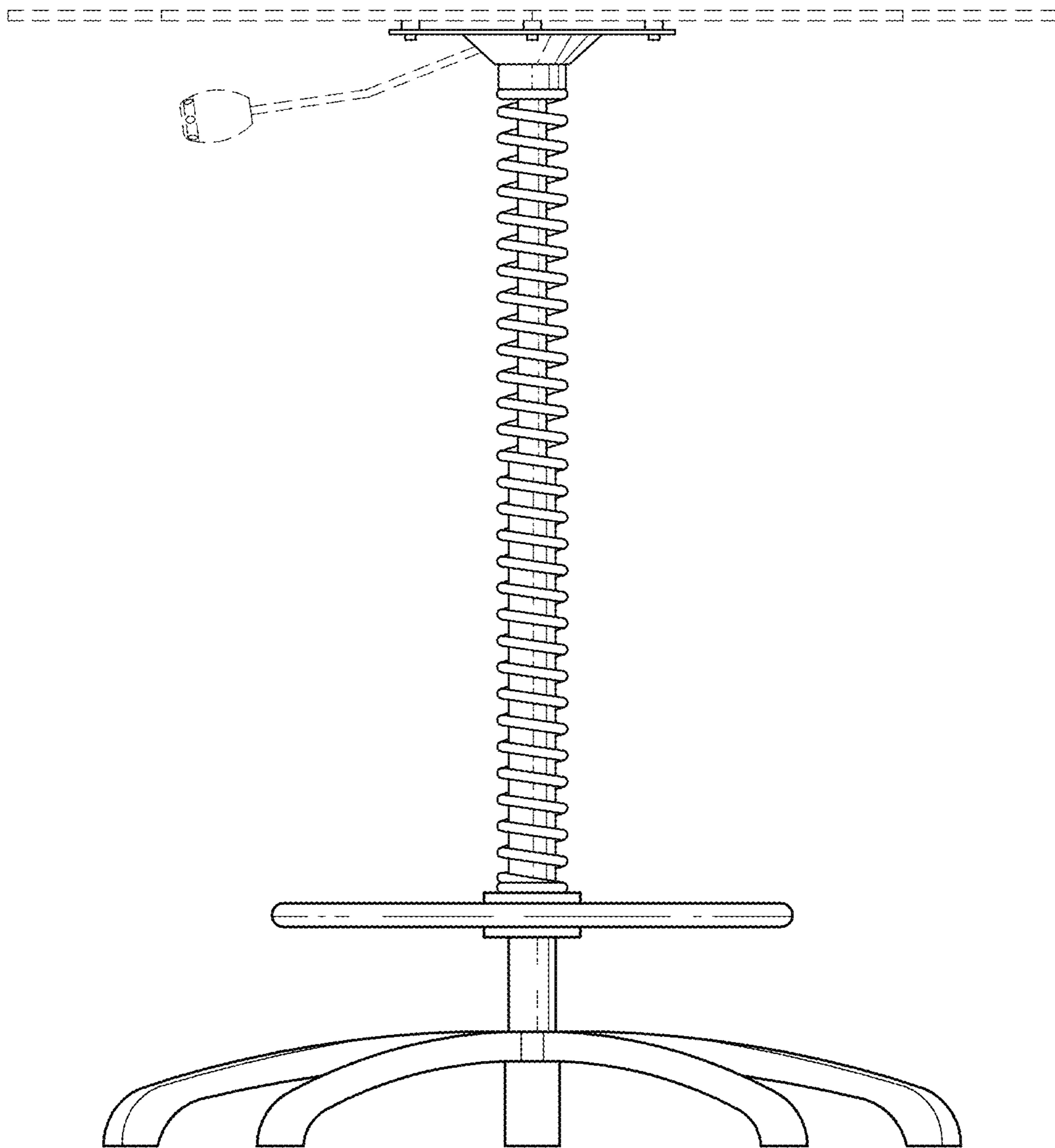


FIG. 4

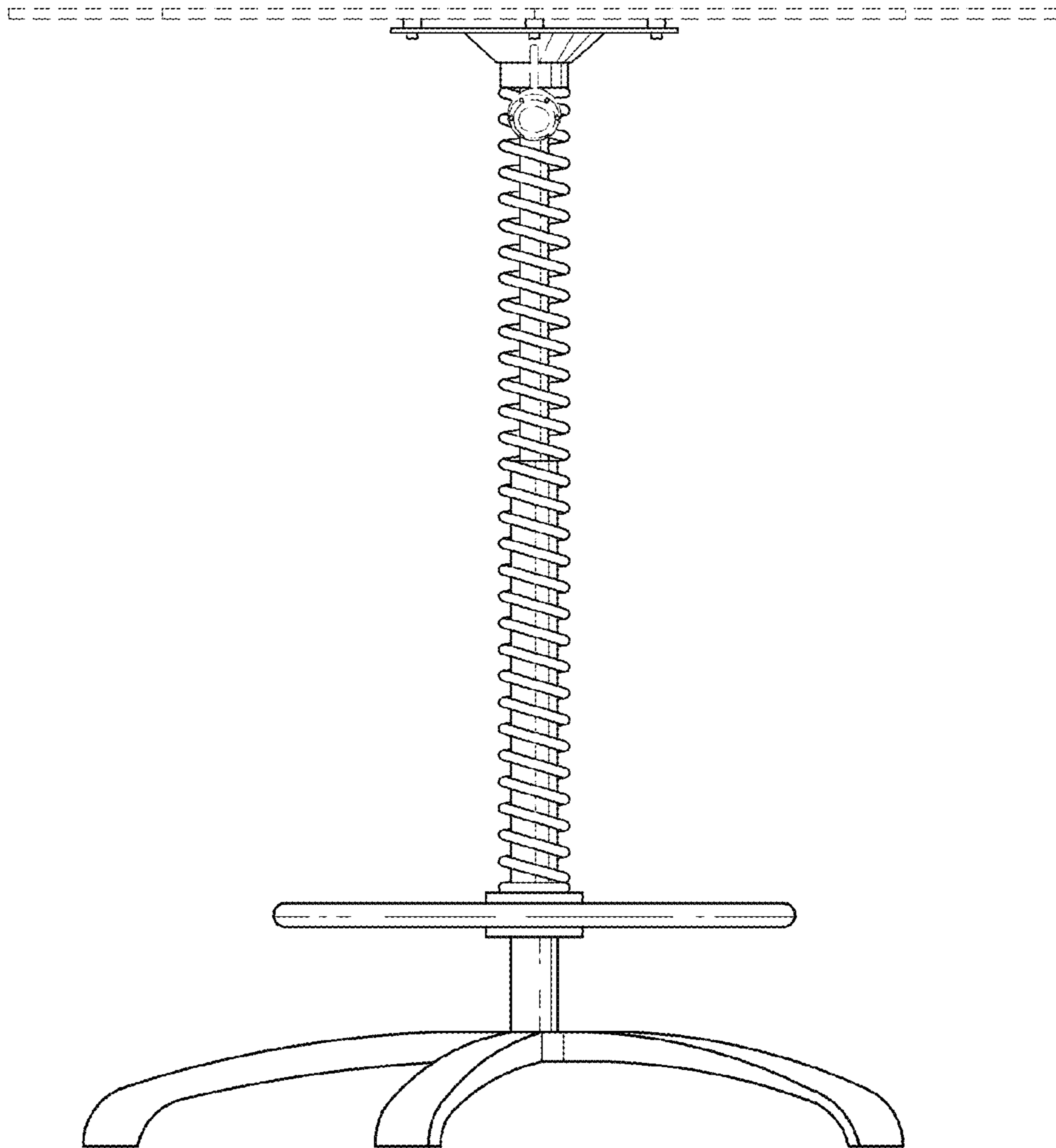


FIG. 5

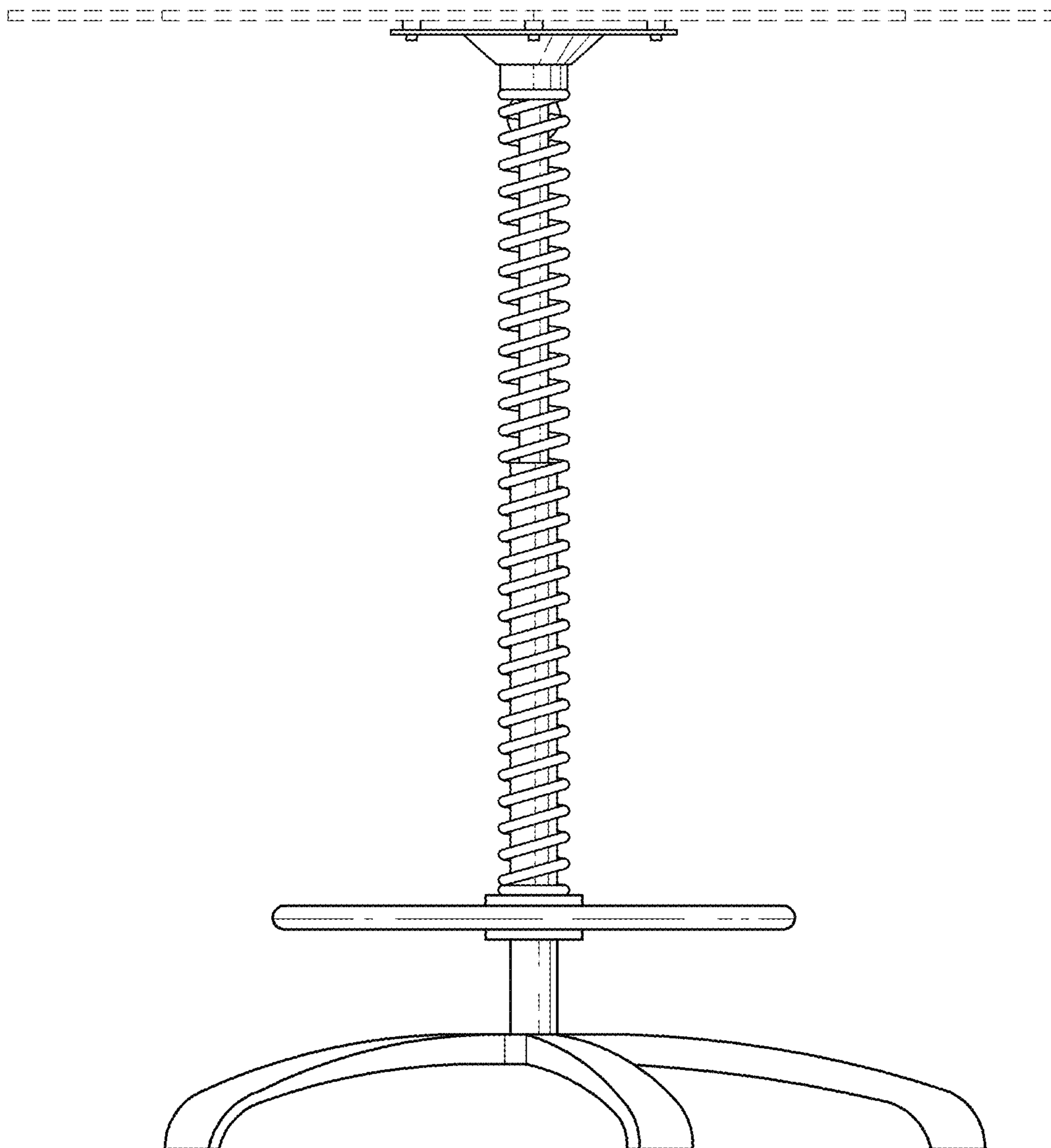


FIG. 6

