

US00D701064S

(12) **United States Design Patent**
Baker et al.

(10) **Patent No.:** **US D701,064 S**
(45) **Date of Patent:** **** Mar. 18, 2014**

(54) **BED COVER RETAINER**

(75) Inventors: **Randal S. Baker**, Ada, MI (US); **Arlyn J. Boorsma**, Grand Rapids, MI (US); **Bryan J. Roodvoets**, Caledonia, MI (US)

(73) Assignee: **SimpleIdeas, LLC**, Grand Rapids, MI (US)

(**) Term: **14 Years**

(21) Appl. No.: **29/428,967**

(22) Filed: **Aug. 6, 2012**

4,541,137 A	9/1985	Murray
5,016,617 A	5/1991	Tarlow et al.
5,033,139 A	7/1991	Renfro
5,400,478 A	3/1995	Levinsohn et al.
5,437,067 A	8/1995	Bernstein et al.
5,640,726 A	6/1997	Fichner-Rathus
5,884,888 A	3/1999	Grimes, III et al.
5,946,751 A	9/1999	DeMay
6,834,403 B1	12/2004	Elliott
6,877,175 B1	4/2005	Jeffries et al.
6,907,628 B2	6/2005	El Guermaai
7,096,527 B2	8/2006	Malik
7,296,311 B1	11/2007	Navarrette
7,698,759 B1	4/2010	Frasier
2007/0120034 A1	5/2007	Sparling
2008/0040856 A1	2/2008	Adamson et al.

* cited by examiner

Related U.S. Application Data

(63) Continuation-in-part of application No. 13/403,233, filed on Feb. 23, 2012.

(51) **LOC (10) CL.** **06-06**

(52) **U.S. CL.**
USPC **D6/607**

(58) **Field of Classification Search**
USPC D6/606, 607; 5/504.1, 505.1, 658, 498;
24/72.5; D8/349, 395
See application file for complete search history.

(56) **References Cited**

U.S. PATENT DOCUMENTS

1,584,387 A *	5/1926	Littlejohn	5/498
2,223,412 A	12/1940	Gartz	
3,196,468 A	7/1965	McWilliams	
3,790,770 A	2/1974	Stern	
4,191,354 A	3/1980	Chia-Liu	
4,276,667 A	7/1981	Osbourne	
4,465,255 A	8/1984	Hill	

Primary Examiner — Janice Seeger

(74) *Attorney, Agent, or Firm* — Gardner, Linn, Burkhardt & Flory, LLP

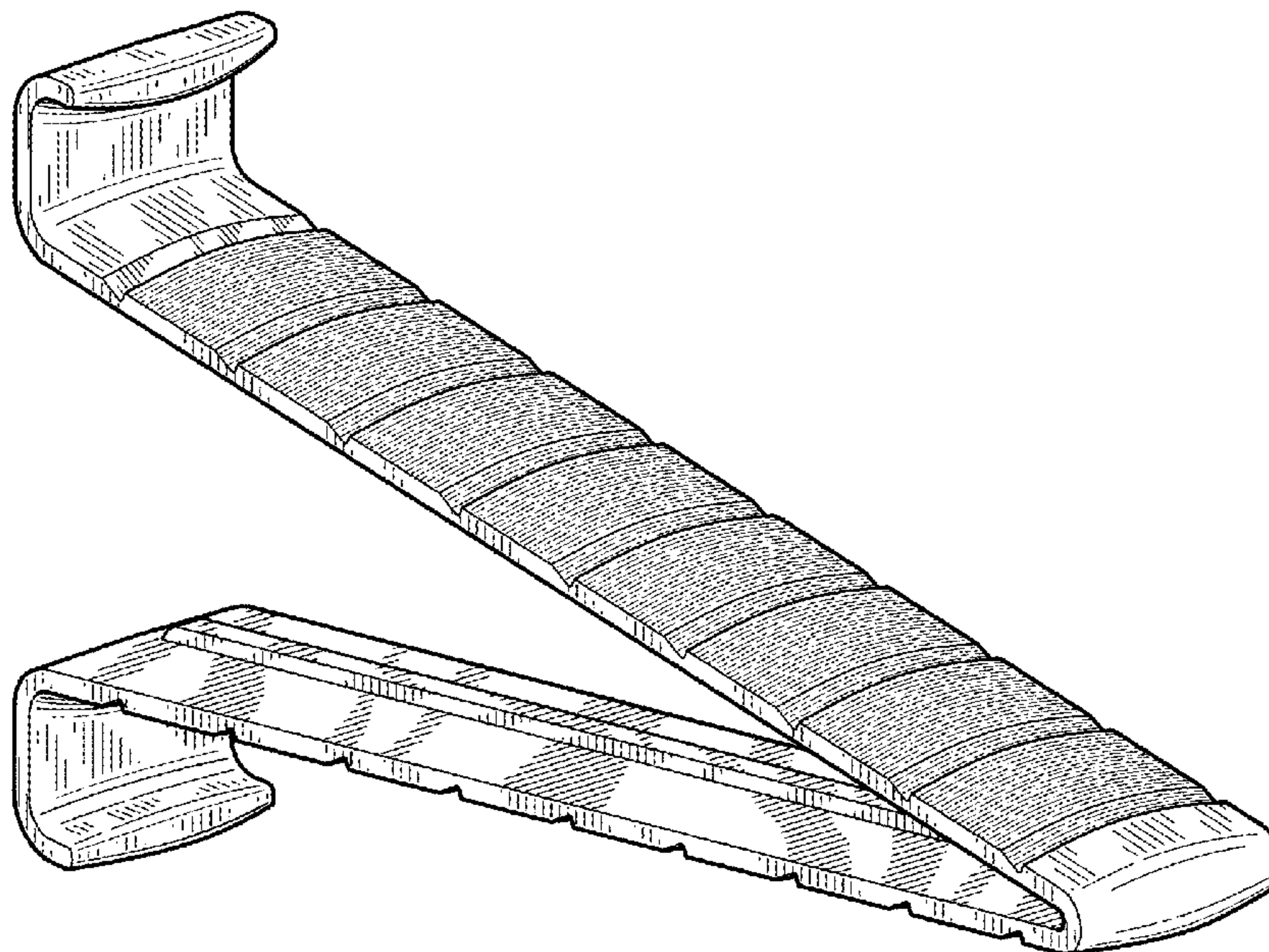
(57) **CLAIM**

The ornamental design for a bed cover retainer, as shown and described.

DESCRIPTION

FIG. 1 is a perspective view of the bed cover retainer showing our new design;
FIG. 2 is a top plan view of the bed cover retainer of FIG. 1, the bottom plan view being identical thereto;
FIG. 3 is a right side elevation of the bed cover retainer of FIG. 1, the left side elevation being a mirror image thereof;
FIG. 4 is a rear end elevation of the bed cover retainer of FIG. 1; and,
FIG. 5 is a front end elevation of the bed cover retainer of FIG. 1.

1 Claim, 3 Drawing Sheets



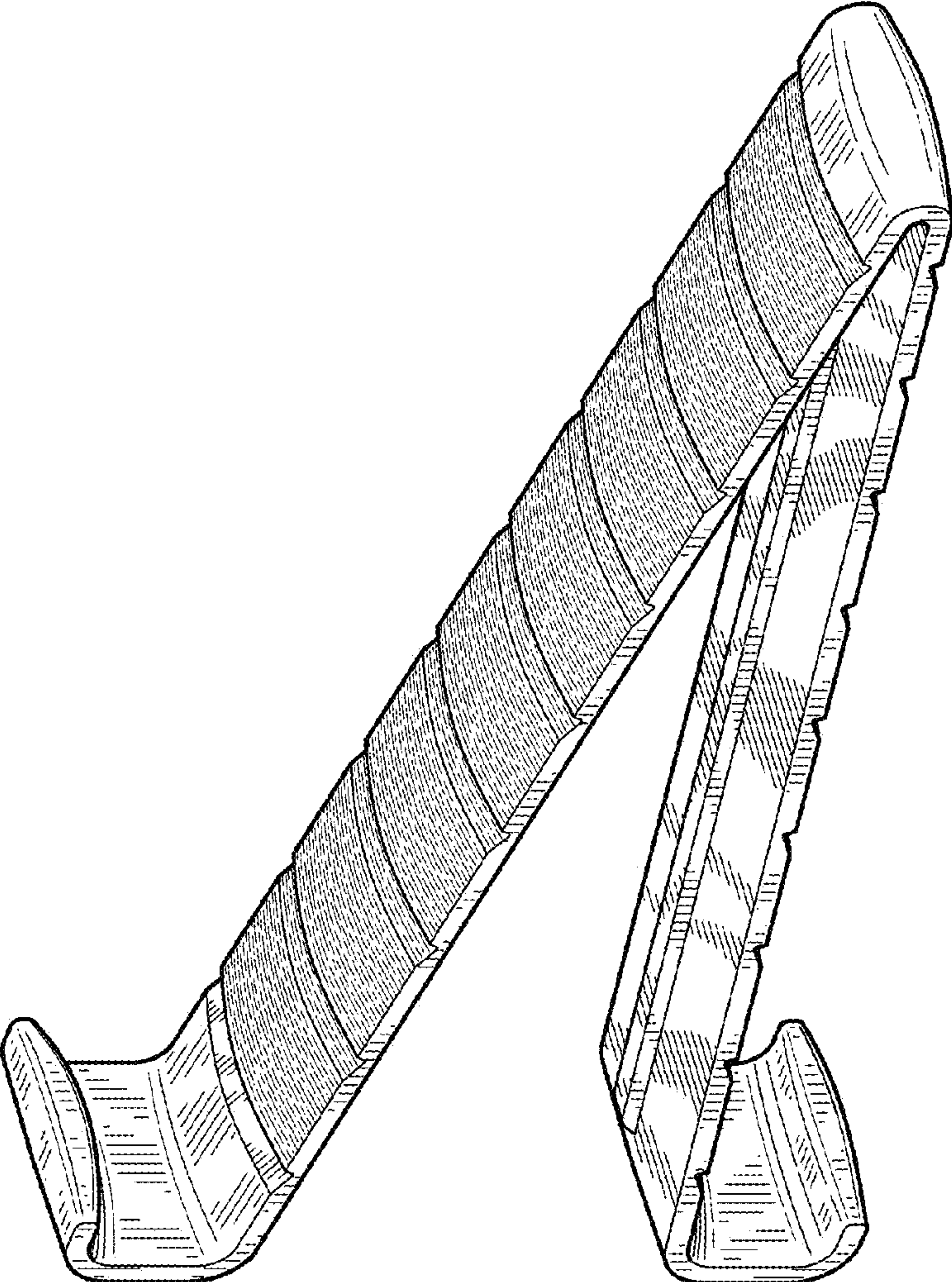


Fig. 1

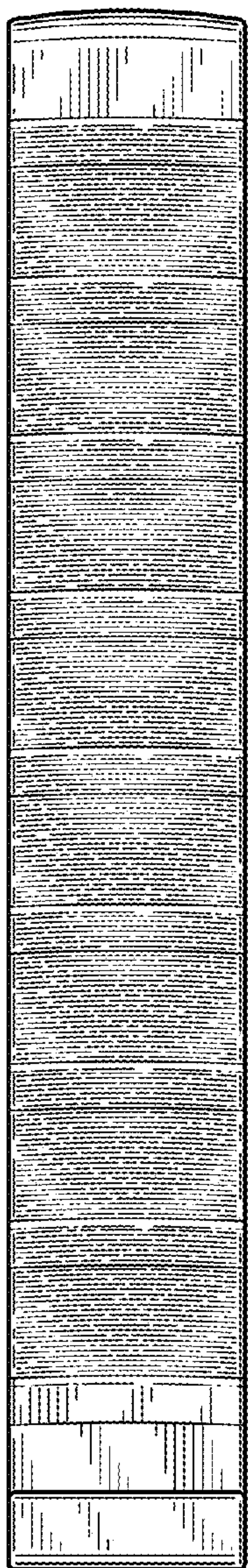


Fig. 2

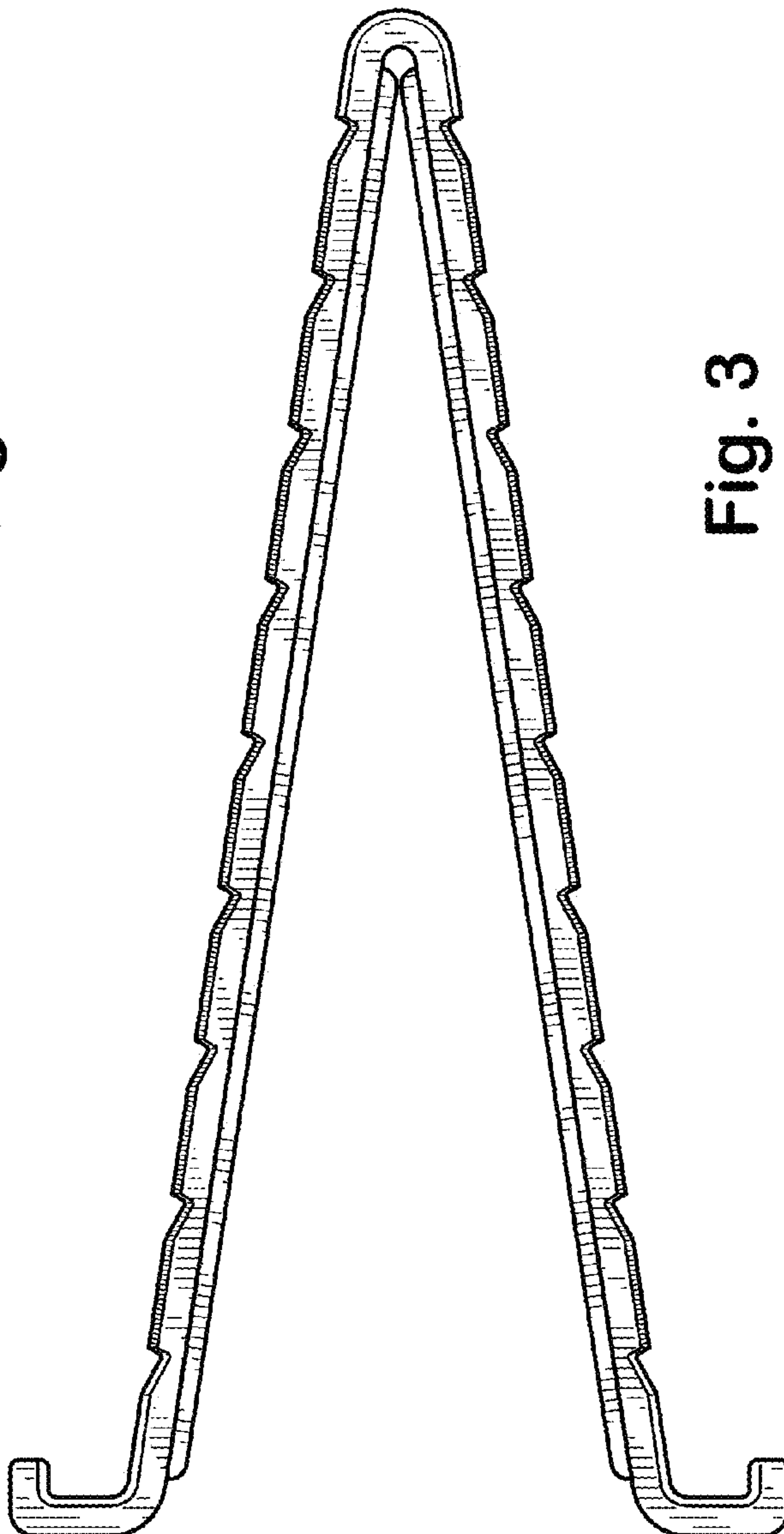


Fig. 3

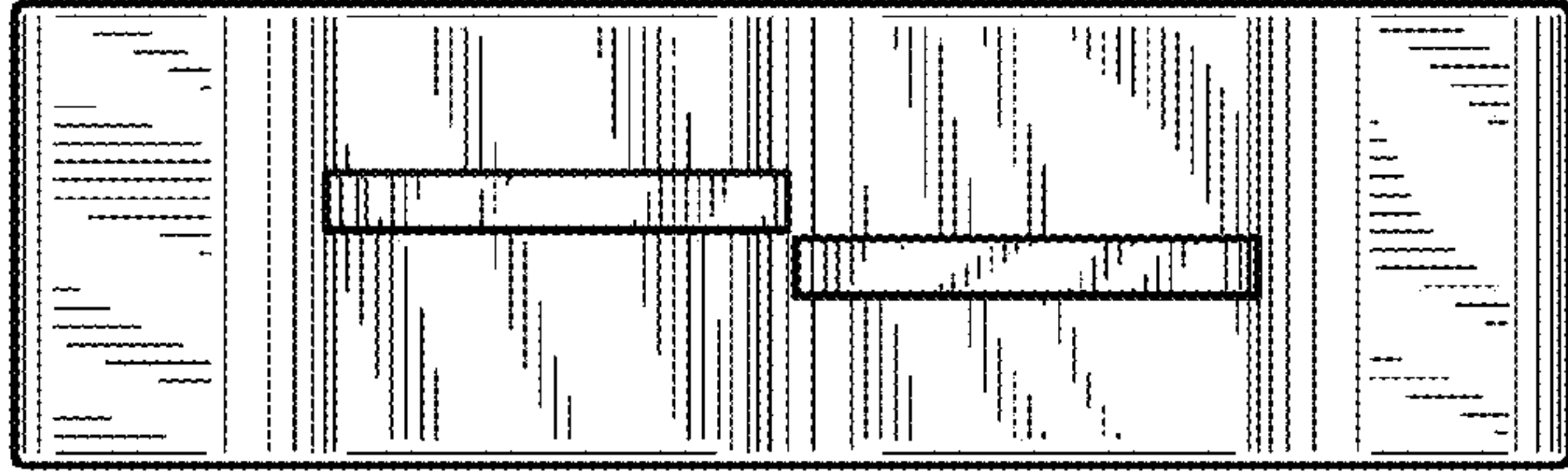


Fig. 5

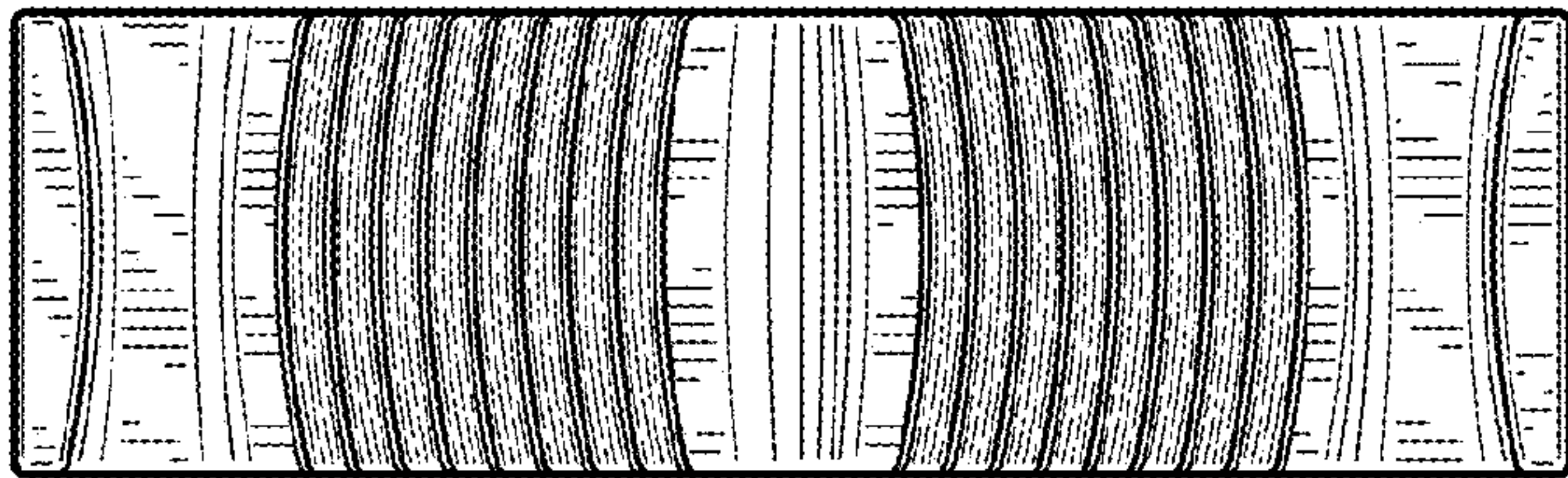


Fig. 4