



US00D701063S

(12) **United States Design Patent**
Myers

(10) **Patent No.:** **US D701,063 S**

(45) **Date of Patent:** **** *Mar. 18, 2014**

(54) **TRAVEL PILLOW**

D452,404 S * 12/2001 Cameron D6/601
D628,845 S * 12/2010 Guner et al. D6/601
D637,439 S * 5/2011 Mettler D6/601

(75) Inventor: **Kenneth Myers**, Marietta, GA (US)

* cited by examiner

(73) Assignee: **Tod Travel Products, LLC**, Marietta, GA (US)

Primary Examiner — Janice Seeger

(*) Notice: This patent is subject to a terminal disclaimer.

(74) *Attorney, Agent, or Firm* — Michael J. Mehrman; Mehrman Law Office

(**) Term: **14 Years**

(57) **CLAIM**

The ornamental design for a travel pillow, as shown and described herein.

(21) Appl. No.: **29/415,590**

DESCRIPTION

(22) Filed: **Mar. 12, 2012**

(51) **LOC (10) Cl.** **06-09**

(52) **U.S. Cl.**
USPC **D6/601**

(58) **Field of Classification Search**
USPC D6/595–597, 601, 604; 5/630, 636,
5/639, 652, 653, 654, 655, 655.3, 655.9
See application file for complete search history.

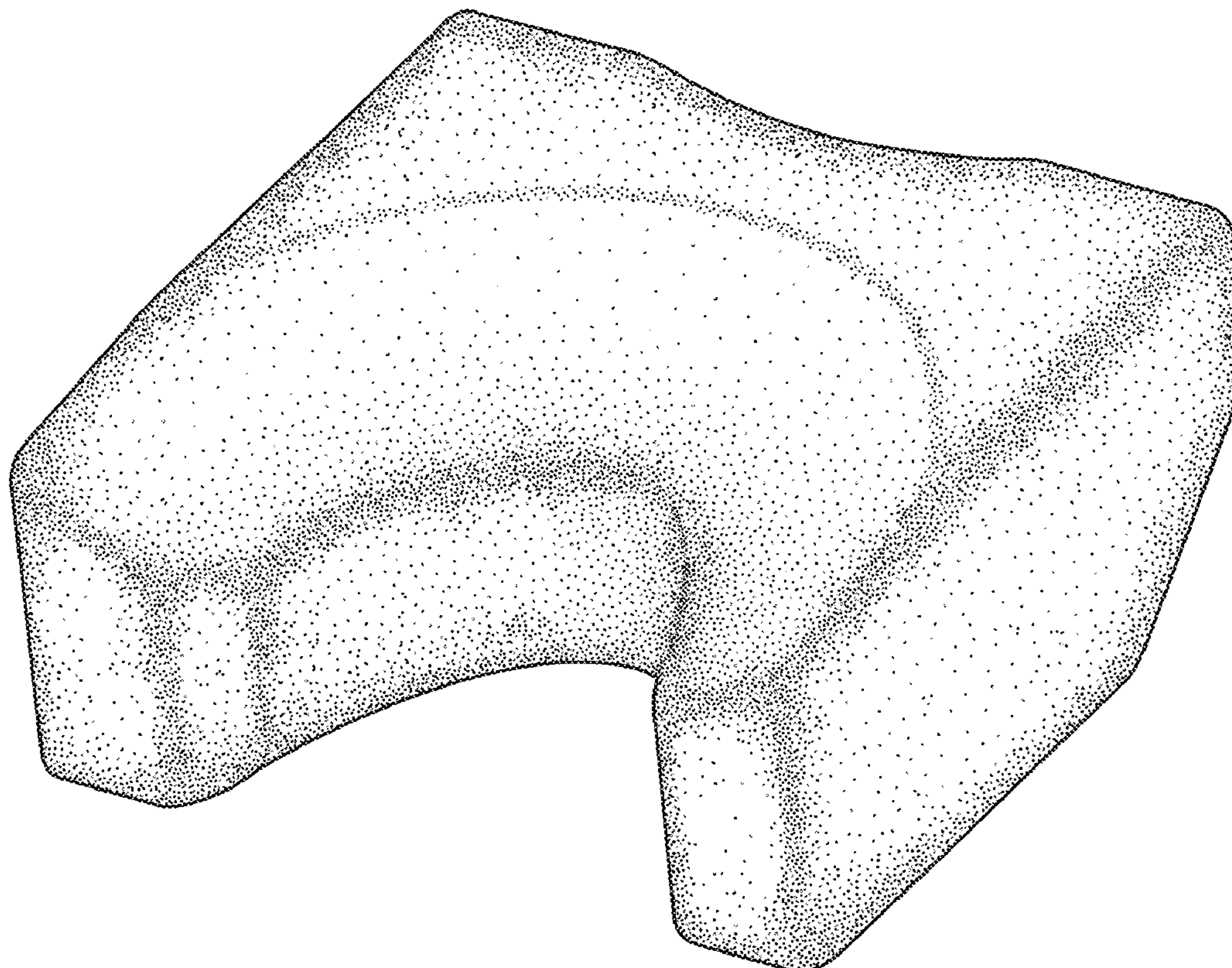
FIG. 1 is a perspective top view of the travel pillow.
FIG. 2 is a perspective bottom view of the travel pillow.
FIG. 3 is a top view of the travel pillow.
FIG. 4 is a bottom view of the travel pillow.
FIG. 5 is a rear view of the travel pillow.
FIG. 6 is a front view of the travel pillow.
FIG. 7 is a side view of the travel pillow.
FIG. 8 is a perspective top view of an alternate embodiment of the travel pillow carrying a hook-and-loop fastener; and,
FIG. 9 is a perspective bottom view of the alternate embodiment of the travel pillow.

(56) **References Cited**

U.S. PATENT DOCUMENTS

D414,974 S * 10/1999 Marrone et al. D6/601
D441,587 S * 5/2001 Cameron D6/601

1 Claim, 4 Drawing Sheets



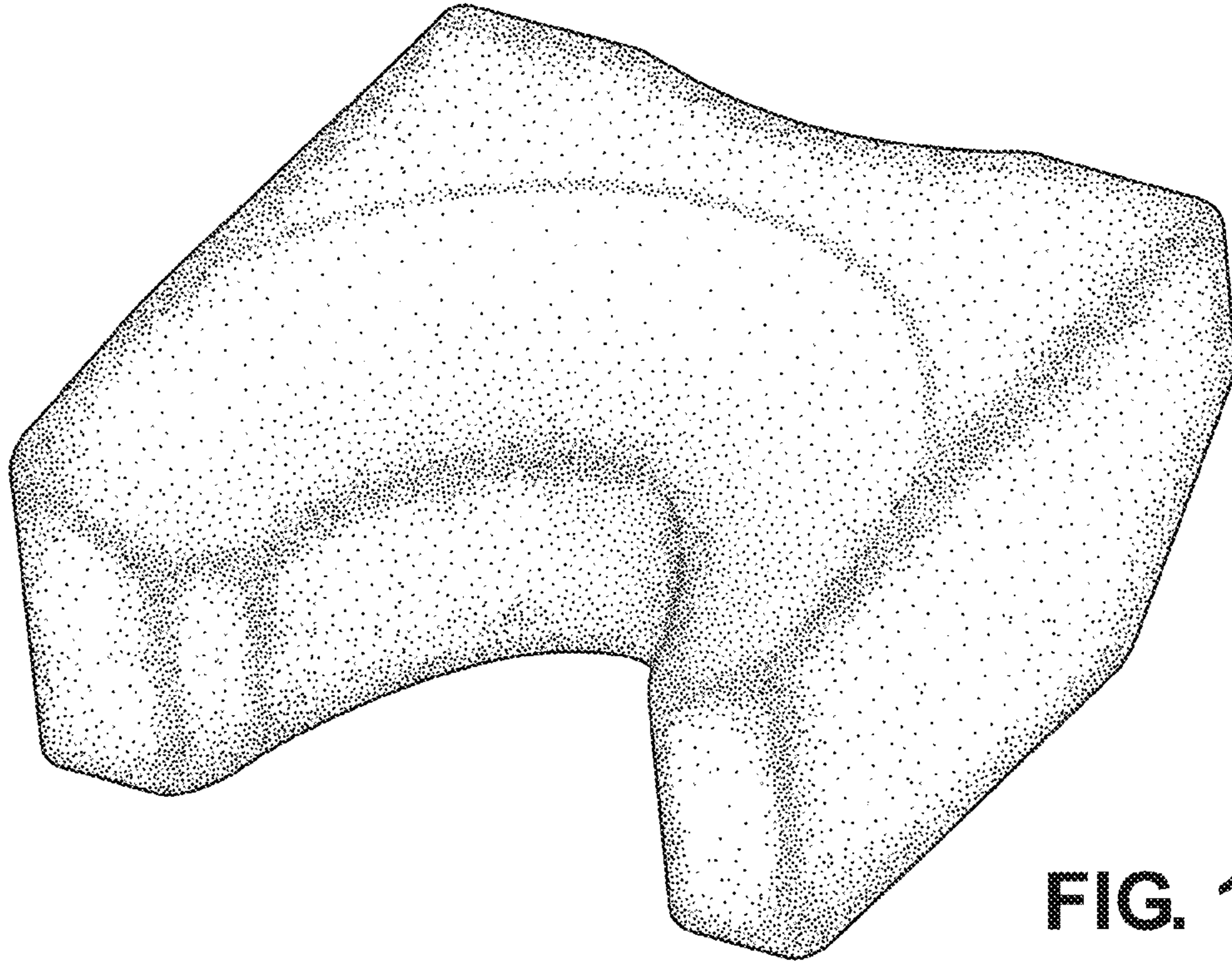


FIG. 1

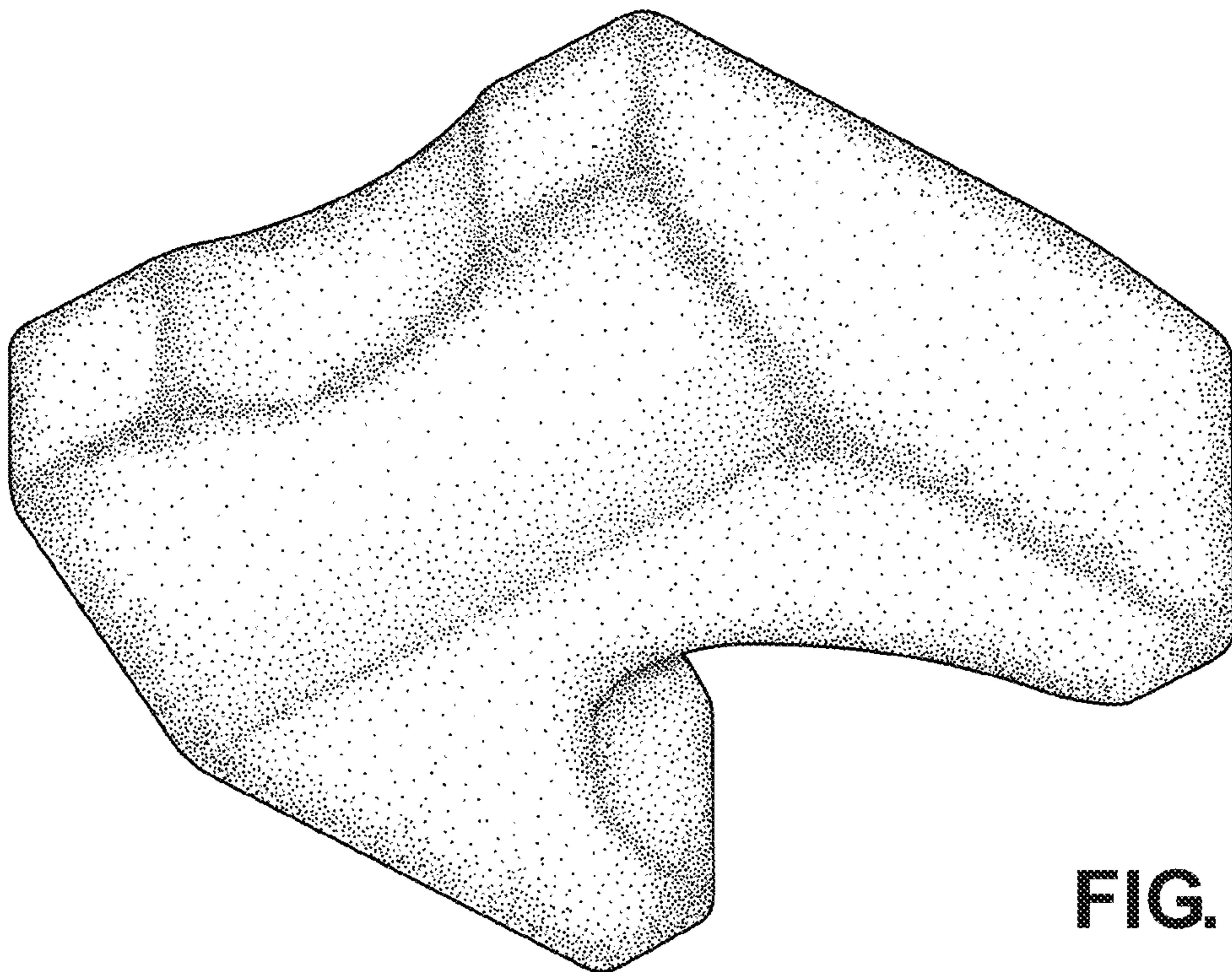


FIG. 2

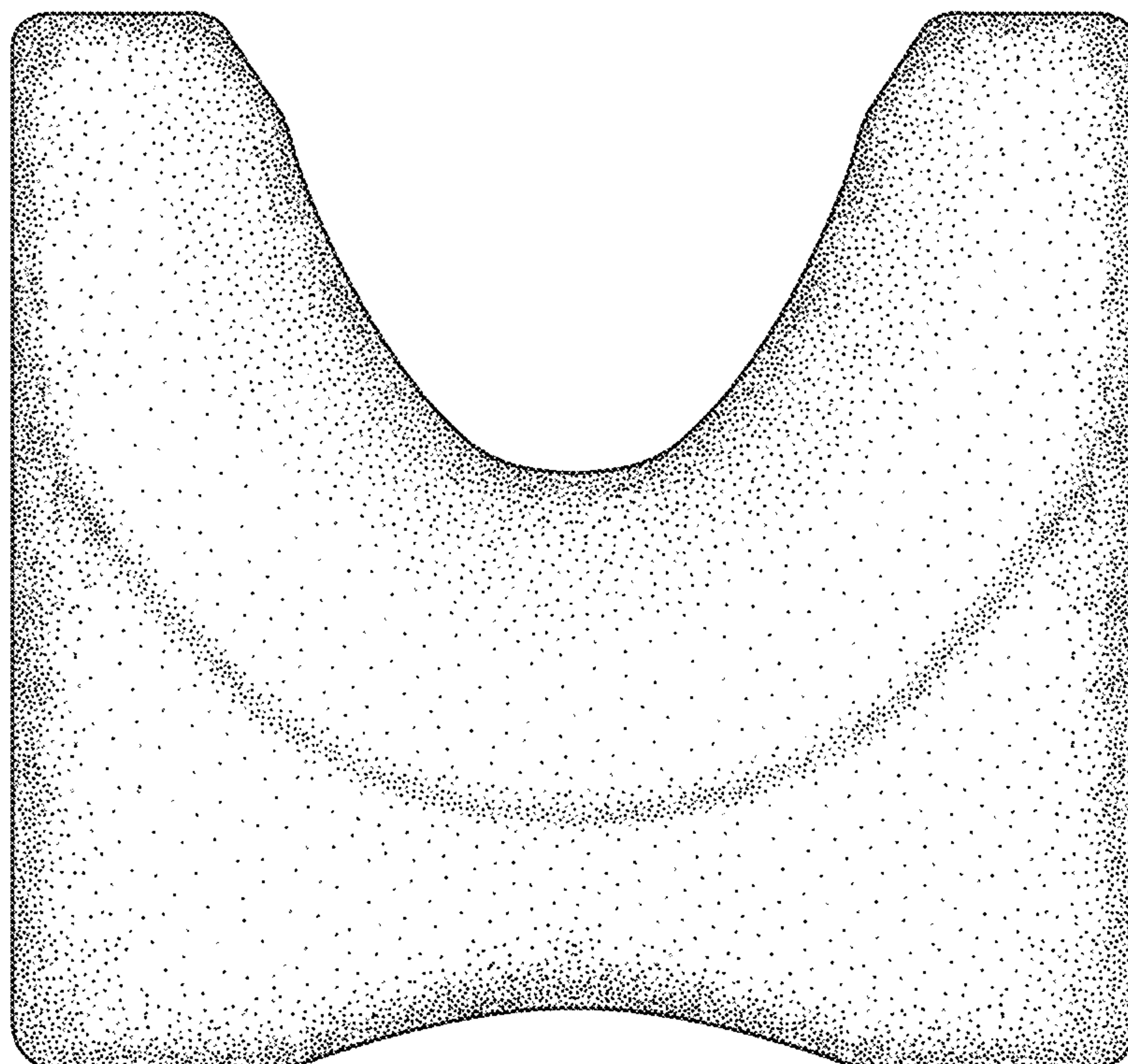


FIG. 3

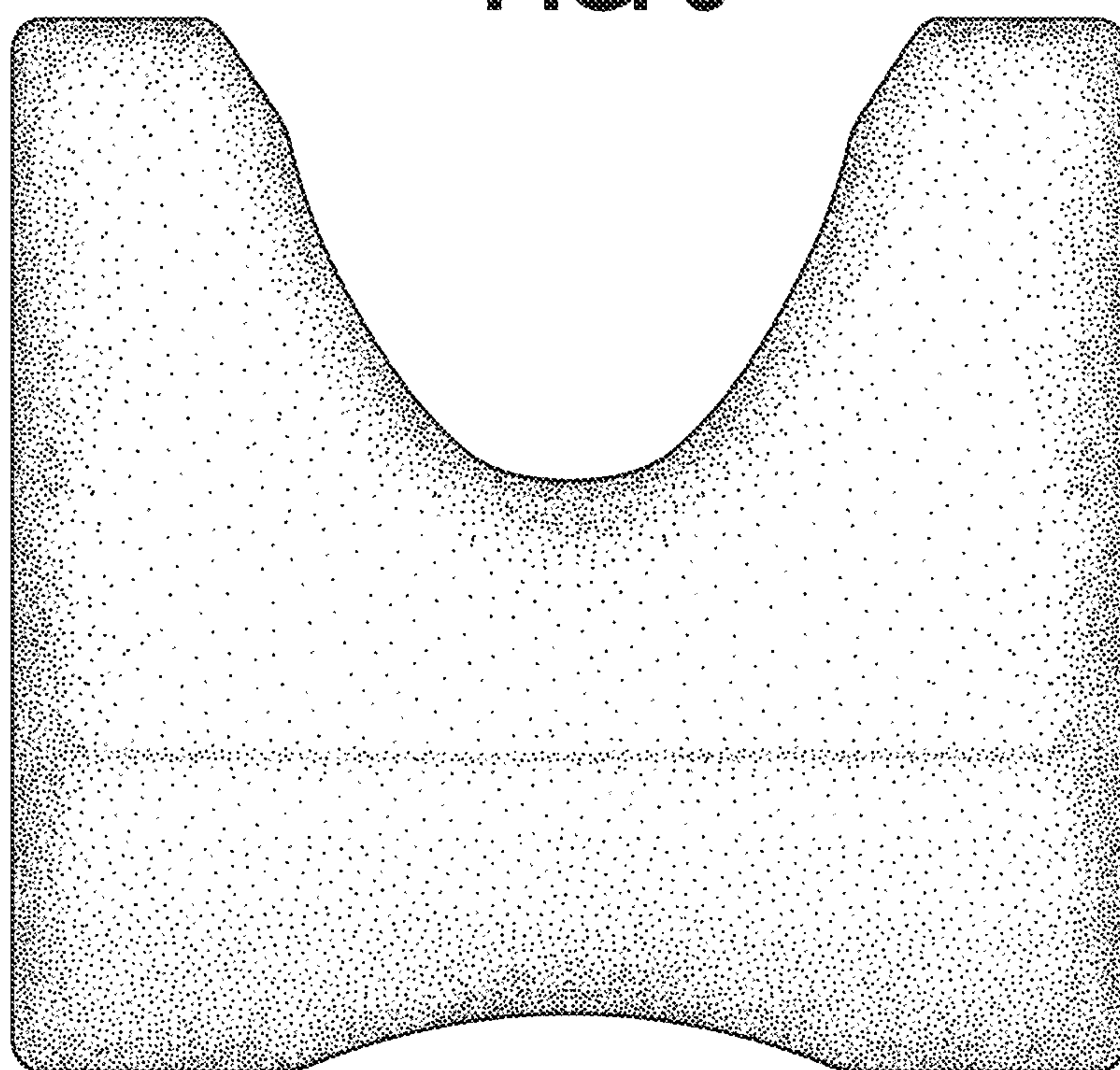


FIG. 4

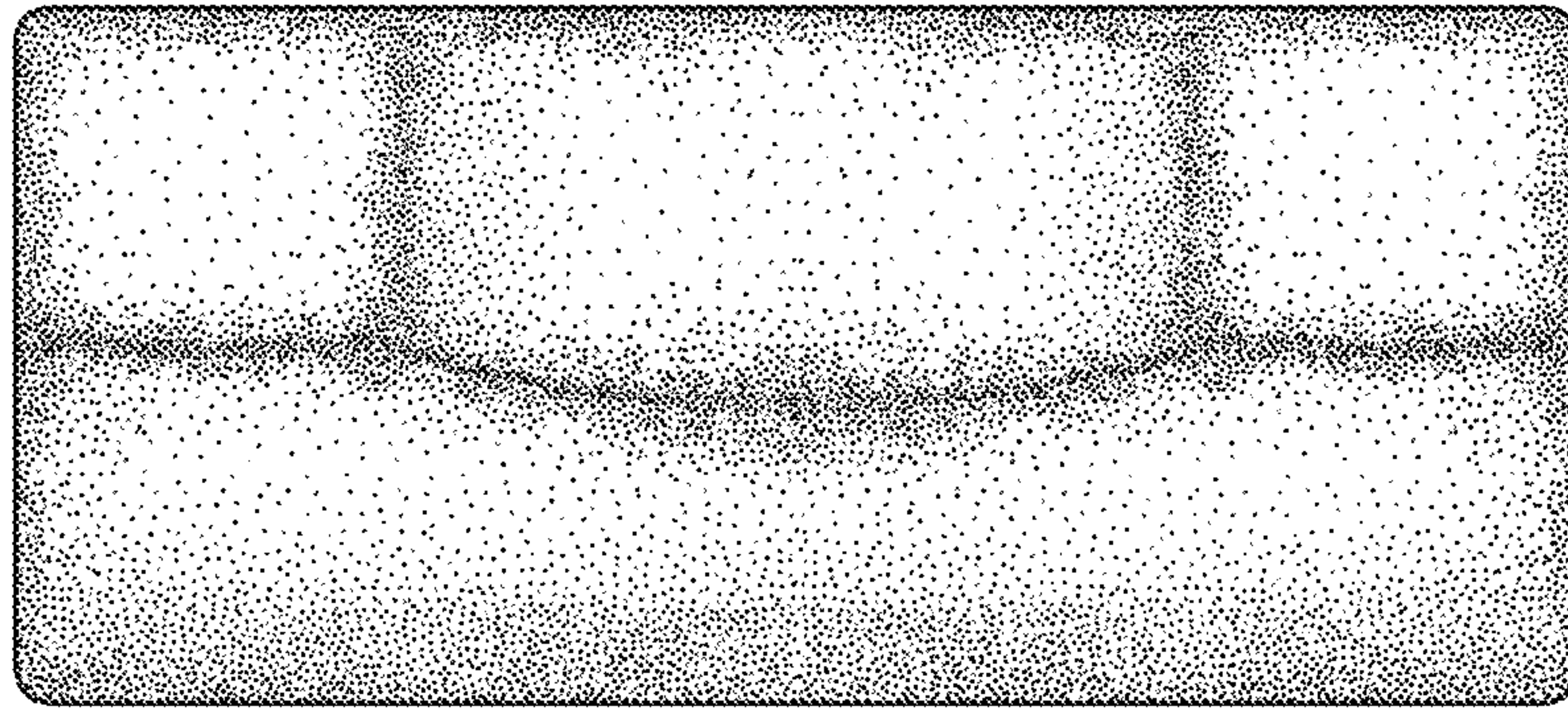


FIG. 5

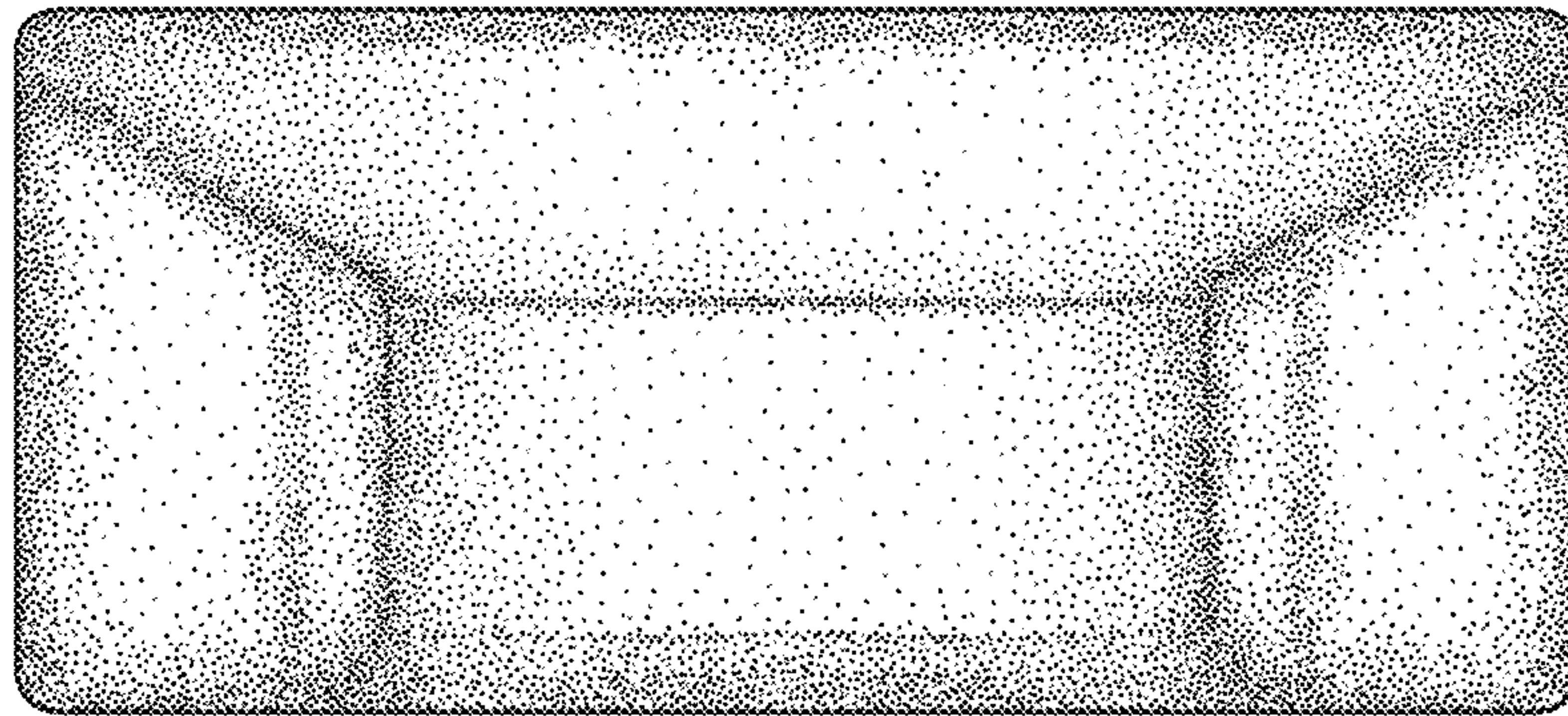


FIG. 6

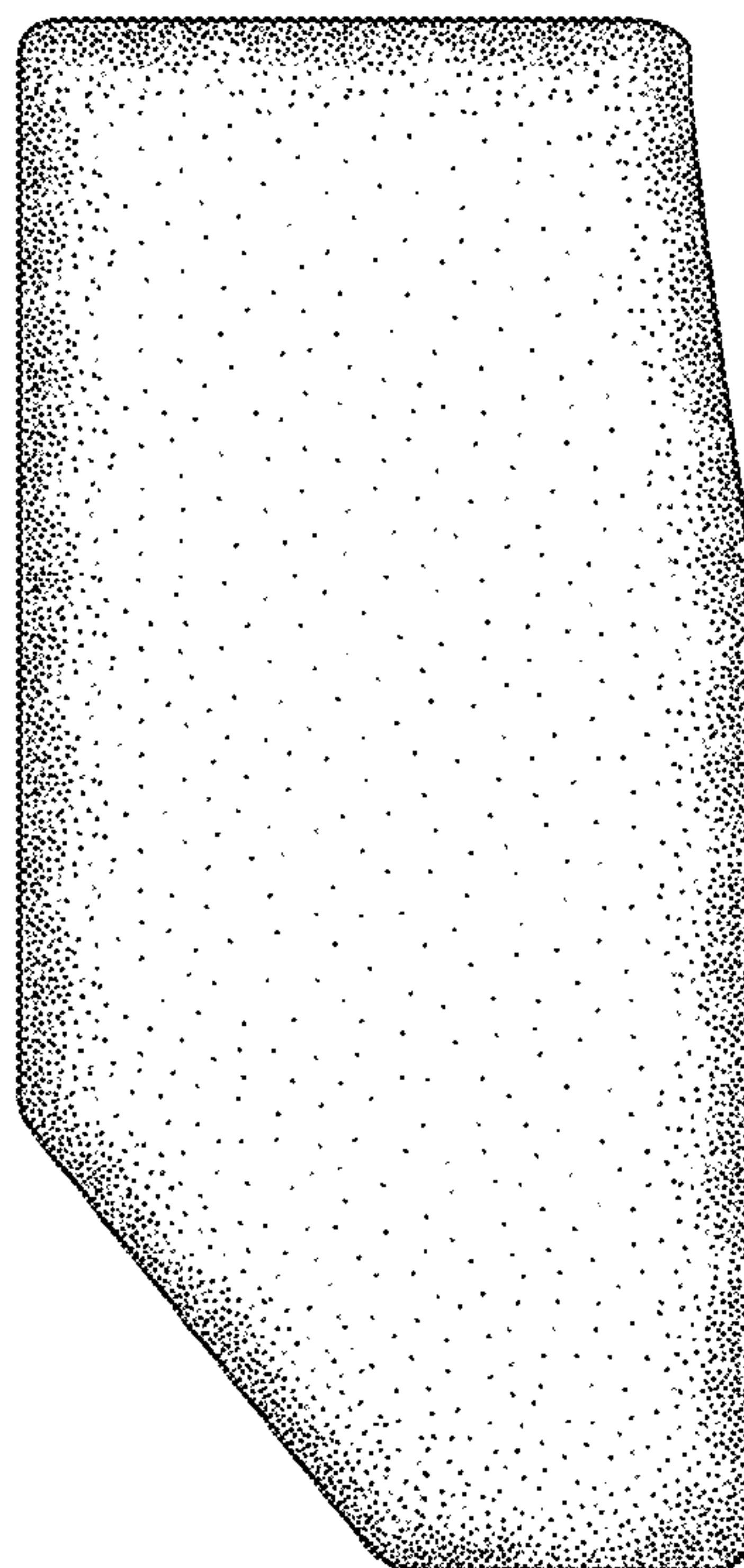


FIG. 7

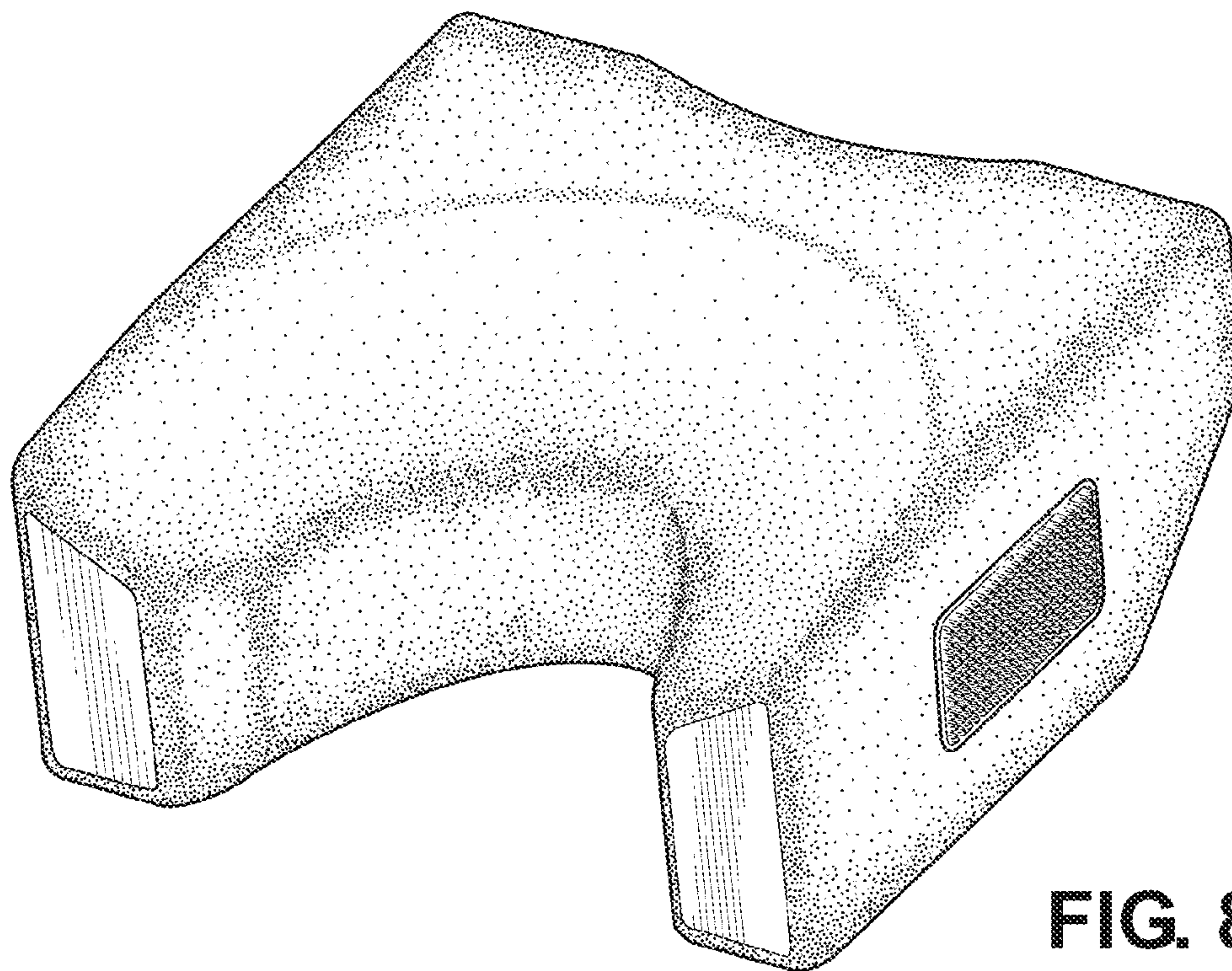


FIG. 8

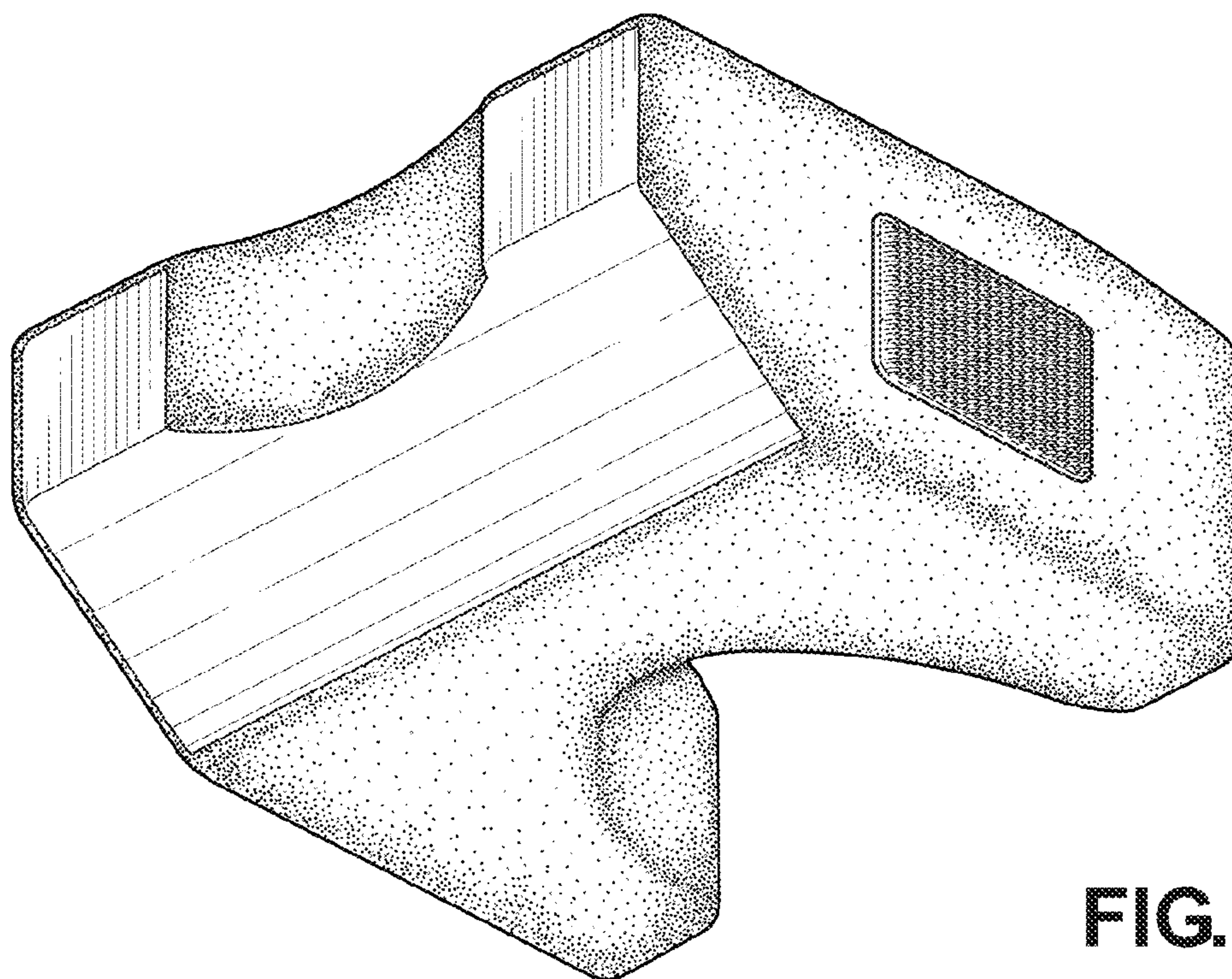


FIG. 9