



US00D701061S

(12) **United States Design Patent**  
**Allen**

(10) **Patent No.:** **US D701,061 S**  
(45) **Date of Patent:** **\*\* Mar. 18, 2014**

- (54) **MAT**
- (71) Applicant: **Randy B. Allen**, Houston, TX (US)
- (72) Inventor: **Randy B. Allen**, Houston, TX (US)
- (\*\*) Term: **14 Years**
- (21) Appl. No.: **29/440,797**
- (22) Filed: **Dec. 27, 2012**
- (51) **LOC (10) Cl.** ..... **06-11**
- (52) **U.S. Cl.**  
USPC ..... **D6/582**
- (58) **Field of Classification Search**  
USPC ..... D6/582, 583, 588, 592, 613, 616, 622;  
D5/30, 43; D12/203; 4/581, 582;  
5/417, 420; 15/215, 217, 238; 428/80,  
428/85, 106; 296/97.23  
See application file for complete search history.

3,886,620	A *	6/1975	Miller et al.	.....	15/217
D328,448	S *	8/1992	Gamauf	.....	D12/203
D441,093	S *	4/2001	Johnson	.....	D25/62
D498,307	S *	11/2004	Zimmerle et al.	.....	D25/138
D505,962	S *	6/2005	Schmidt et al.	.....	D15/91
D513,809	S *	1/2006	Zimmerle et al.	.....	D25/138
D561,080	S *	2/2008	Soshkin	.....	D12/203
D595,870	S *	7/2009	Moller et al.	.....	D25/163
8,020,783	B2 *	9/2011	Backman, Jr.	.....	237/69
D647,447	S *	10/2011	Lu	.....	D12/203
D650,730	S *	12/2011	Jeackjuntra et al.	.....	D12/203
2002/0119275	A1 *	8/2002	Williamson	.....	428/44
2008/0218369	A1 *	9/2008	Krans et al.	.....	340/691.1
2009/0304985	A1 *	12/2009	Yuan et al.	.....	428/99

\* cited by examiner

*Primary Examiner* — Karen S Acker  
(74) *Attorney, Agent, or Firm* — Egbert Law Offices, PLLC

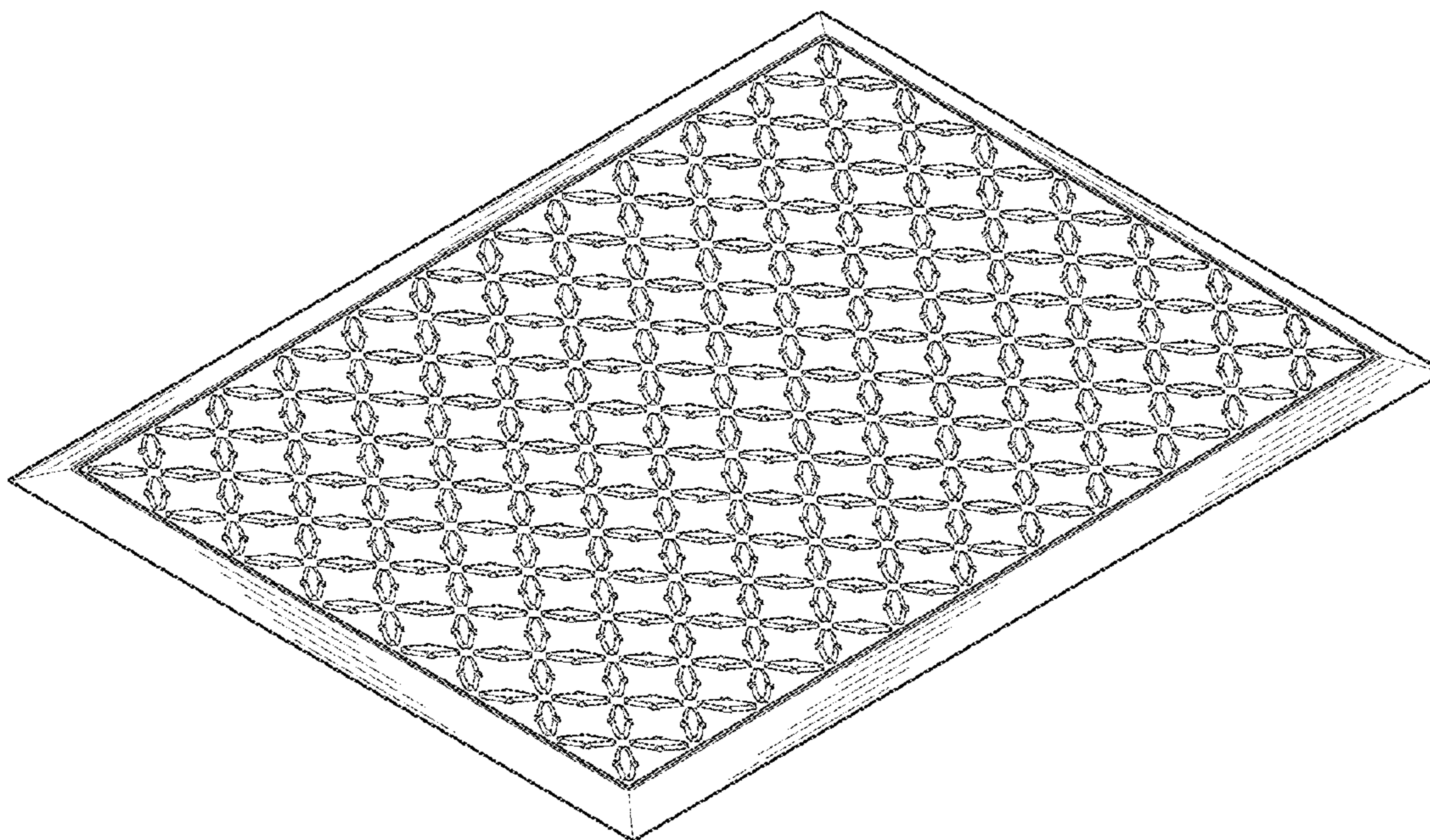
(57) **CLAIM**  
The ornamental design for a mat, as shown and described.

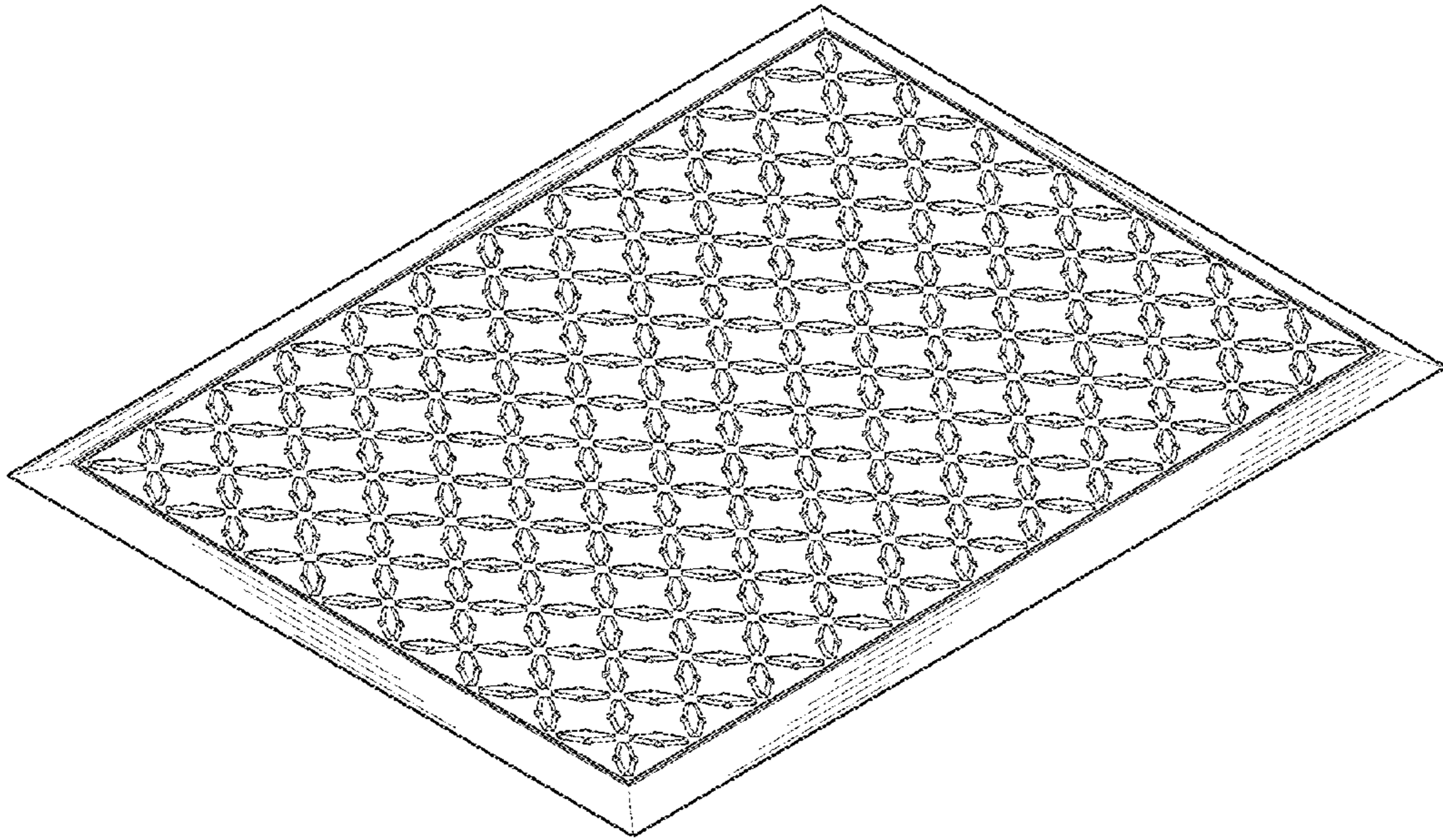
**DESCRIPTION**

FIG. 1 is a top, front perspective view of the mat showing m design.  
FIG. 2 is a top plan view thereof;  
FIG. 3 is a bottom plan view thereof;  
FIG. 4 is a front elevation view thereof;  
FIG. 5 is a rear elevation view thereof;  
FIG. 6 is a side elevational view thereof; and,  
FIG. 7 is an opposite side elevational view thereof.

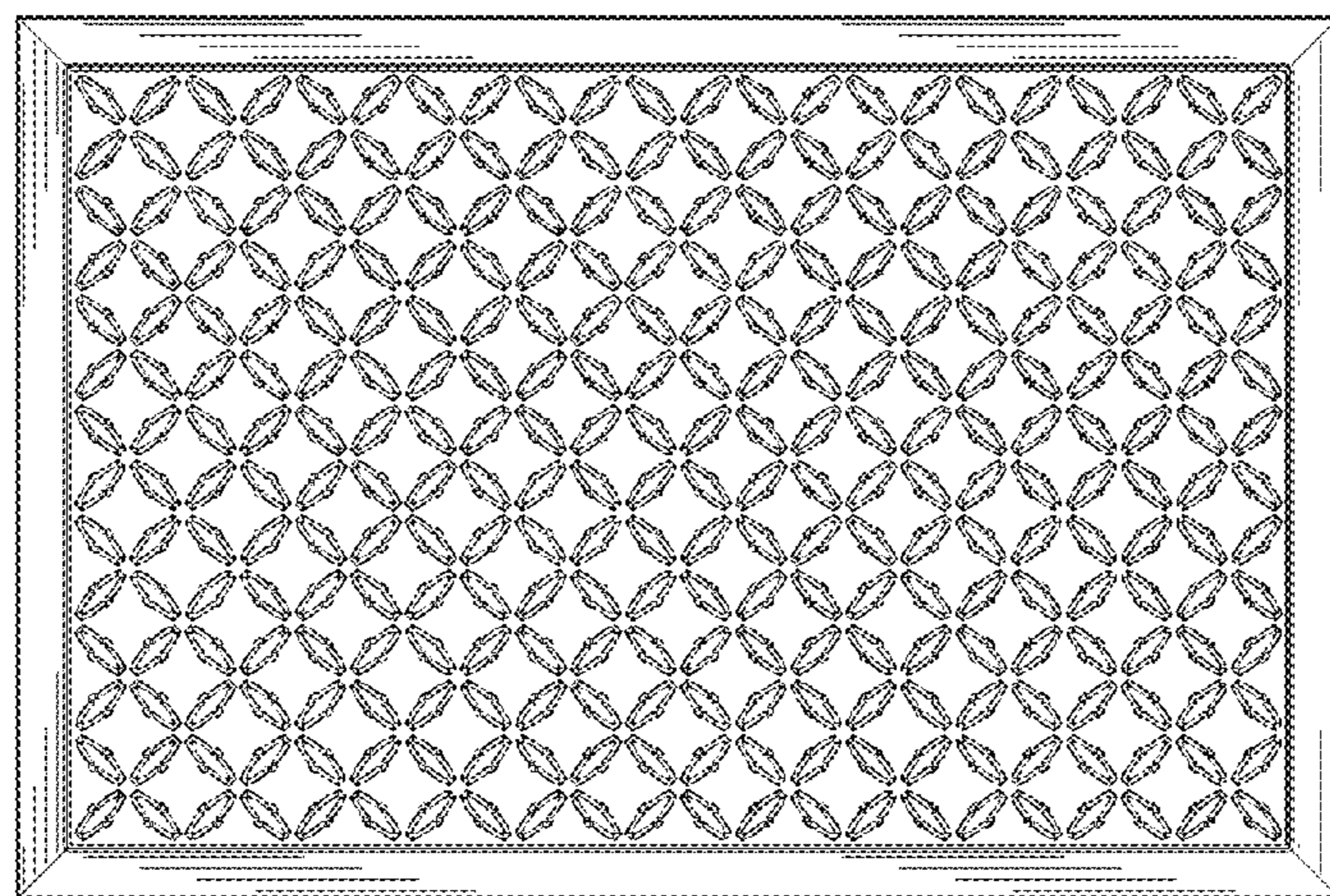
**1 Claim, 2 Drawing Sheets**

- (56) **References Cited**  
U.S. PATENT DOCUMENTS  
260,312 A \* 6/1882 O'Blenus ..... 15/112  
D41,197 S \* 2/1911 Elliot ..... D6/582  
D88,836 S \* 12/1932 Wheeler ..... D25/160  
D95,158 S \* 4/1935 Sureus ..... D25/158  
2,124,123 A \* 7/1938 Rosengarten ..... 473/278  
D154,618 S \* 7/1949 Martin ..... D5/59  
D194,233 S \* 12/1962 Klein ..... D25/160

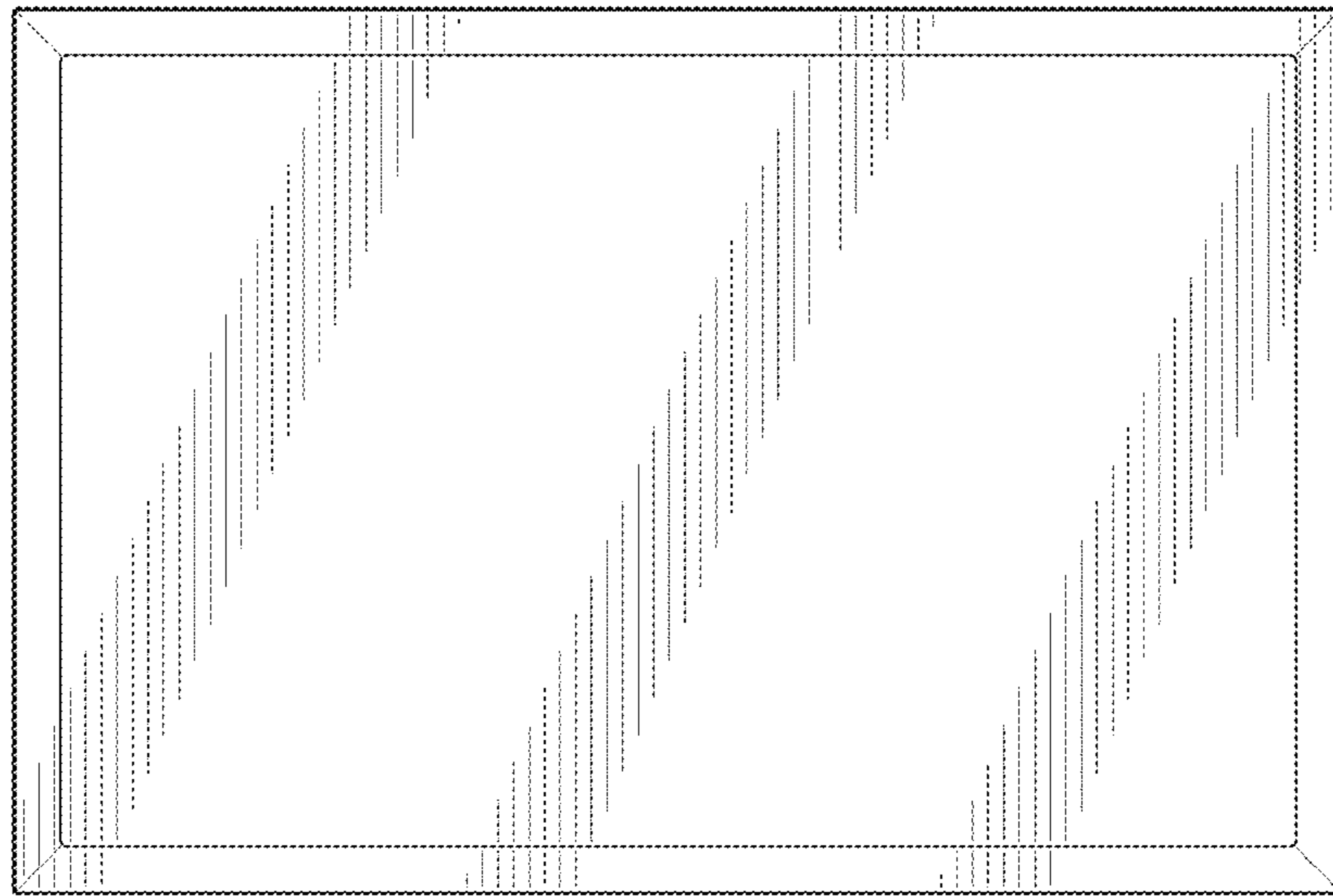




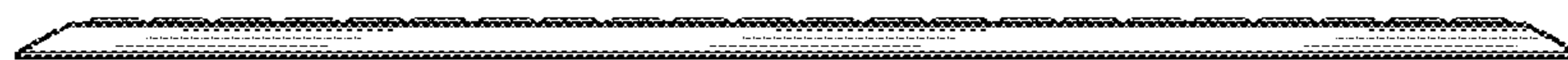
*FIG. 1*



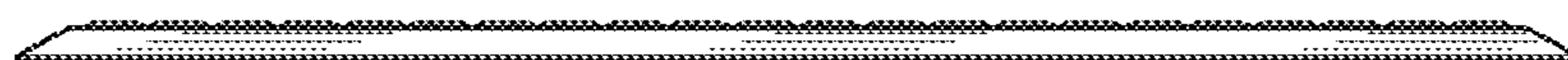
*FIG. 2*



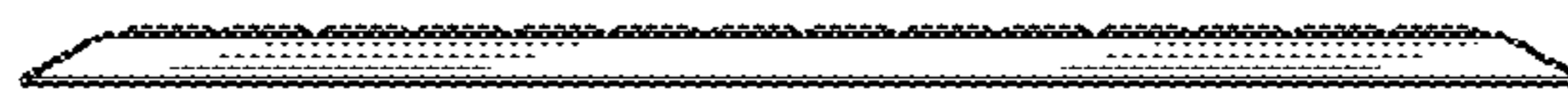
*FIG. 3*



*FIG. 4*



*FIG. 5*



*FIG. 6*



*FIG. 7*