



US00D701060S

(12) **United States Design Patent**  
**Strand**

(10) **Patent No.:** **US D701,060 S**  
(45) **Date of Patent:** **\*\* Mar. 18, 2014**

(54) **PLEATED AND WOVEN WOOD SHADE**

(71) Applicant: **Toralf H. Strand**, Exeter, NH (US)

(72) Inventor: **Toralf H. Strand**, Exeter, NH (US)

(73) Assignee: **Flexo Solutions, LLC**, Appleton, WI (US)

(\*\*) Term: **14 Years**

(21) Appl. No.: **29/468,049**

(22) Filed: **Sep. 26, 2013**

**Related U.S. Application Data**

(62) Division of application No. 29/410,484, filed on Jan. 9, 2012, now Pat. No. Des. 693,598.

(51) **LOC (10) Cl.** ..... **06-10**

(52) **U.S. Cl.**  
USPC ..... **D6/575**

(58) **Field of Classification Search**  
USPC ..... D6/575, 577, 579; D5/43, 99; 160/34, 160/35, 84.01, 84.04, 130, 166.1, 199  
See application file for complete search history.

(56) **References Cited**

**U.S. PATENT DOCUMENTS**

289,573	A *	12/1883	Scott	.....	160/84.04
D260,838	S *	9/1981	Kato	.....	D6/575
4,544,011	A	10/1985	Sawamura		
4,753,281	A	6/1988	Wagner		
5,139,069	A	8/1992	Hong		
5,184,659	A *	2/1993	Alcocer	.....	160/84.04
5,560,414	A	10/1996	Judkins et al.		
5,613,540	A	3/1997	Jelic		
6,059,004	A	5/2000	Oskam		
D440,093	S *	4/2001	Siegel et al.	.....	D6/575
D445,621	S	7/2001	Judkins		
6,662,845	B1 *	12/2003	Palmer	.....	160/84.01
D496,204	S	9/2004	Tuzmen		
6,792,995	B2 *	9/2004	Judkins	.....	160/84.04

6,845,801	B2	1/2005	Hsu		
D505,039	S *	5/2005	Smith et al.	.....	D6/575
6,948,545	B1	9/2005	Cheng et al.		
6,962,186	B2	11/2005	Hsu		
6,966,353	B2 *	11/2005	Hsu	.....	160/84.04
7,028,737	B2	4/2006	Hsu		
D530,965	S	10/2006	Roberts		
7,219,710	B2	5/2007	Cheng		
7,264,035	B2 *	9/2007	Rossato et al.	.....	160/178.2
D557,545	S *	12/2007	Asada	.....	D6/575
D605,885	S	12/2009	Judkins		
7,624,784	B2 *	12/2009	Anthony et al.	.....	160/120

(Continued)

*Primary Examiner* — Karen S Acker

(74) *Attorney, Agent, or Firm* — Buchanan Ingersoll & Rooney PC

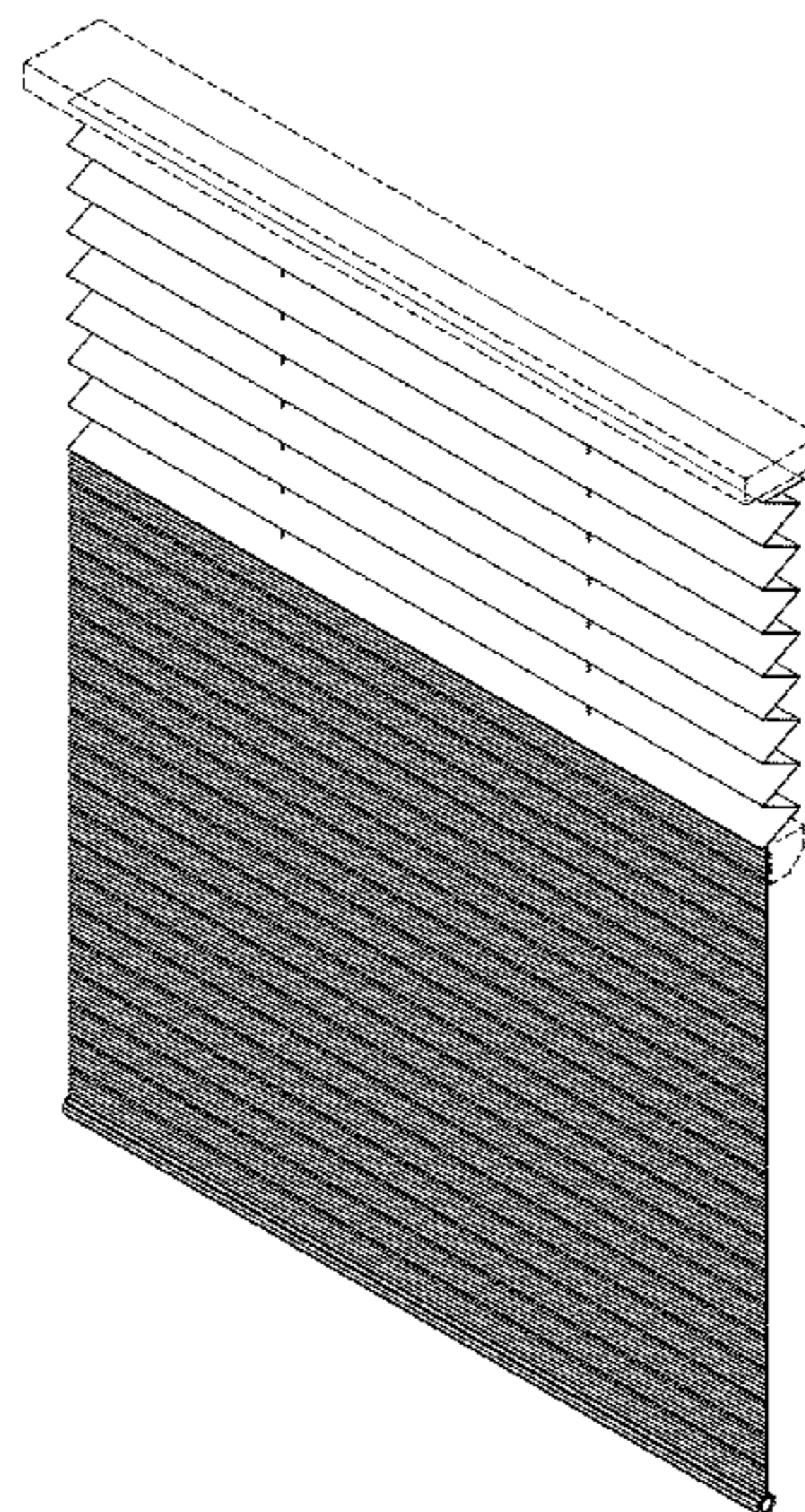
(57) **CLAIM**

The ornamental design for a pleated and woven wood shade, as shown and described.

**DESCRIPTION**

FIG. 1 is a front view of my pleated and woven wood shade in a fully lowered position;  
 FIG. 2 is a left side view thereof, the right side view being a mirror image thereof;  
 FIG. 3 is a rear view thereof;  
 FIG. 4 is a front perspective view thereof;  
 FIG. 5 is a perspective view of the pleated and woven wood shade of FIG. 1 showing the pleated portion in a fully lowered position and the woven wood portion in a fully raised position;  
 FIG. 6 is a perspective view of the pleated and woven wood shade of FIG. 1 showing the pleated portion and the woven wood portion in fully raised positions;  
 FIG. 7 is a top view thereof; and,  
 FIG. 8 is a bottom view thereof.  
 The broken lines representing an unclaimed headrail and an unclaimed intermediate rail form no part of the claimed design.

**1 Claim, 7 Drawing Sheets**



(56)

**References Cited**

U.S. PATENT DOCUMENTS

8,047,254	B2 *	11/2011	Bolton, III	.....	160/84.04	2006/0180277	A1 *	8/2006	Lin	.....	160/84.04
8,127,821	B2 *	3/2012	Hsu et al.	.....	160/84.01	2007/0056691	A1	3/2007	Lin		
D659,455	S *	5/2012	Marocco	.....	D6/575	2008/0173409	A1	7/2008	Robertson et al.		
8,365,795	B2 *	2/2013	Perkowitz	.....	160/84.01	2008/0185108	A1	8/2008	Cheng		
2004/0226661	A1 *	11/2004	Su	.....	160/84.04	2008/0230189	A1	9/2008	Rossato et al.		
2004/0231803	A1 *	11/2004	Cheng et al.	.....	160/84.04	2010/0126677	A1 *	5/2010	Lin	.....	160/340
2005/0056384	A1	3/2005	Dekker et al.			2011/0126990	A1 *	6/2011	Huang	.....	160/84.01
2006/0175020	A1 *	8/2006	Cheng	.....	160/84.04	2012/0168094	A1 *	7/2012	Lin	.....	160/84.04
						2012/0193037	A1 *	8/2012	Sengelaub	.....	160/84.02
						2013/0126105	A1 *	5/2013	Lin	.....	160/84.04
						2013/0248125	A1 *	9/2013	Lin	.....	160/84.05

\* cited by examiner

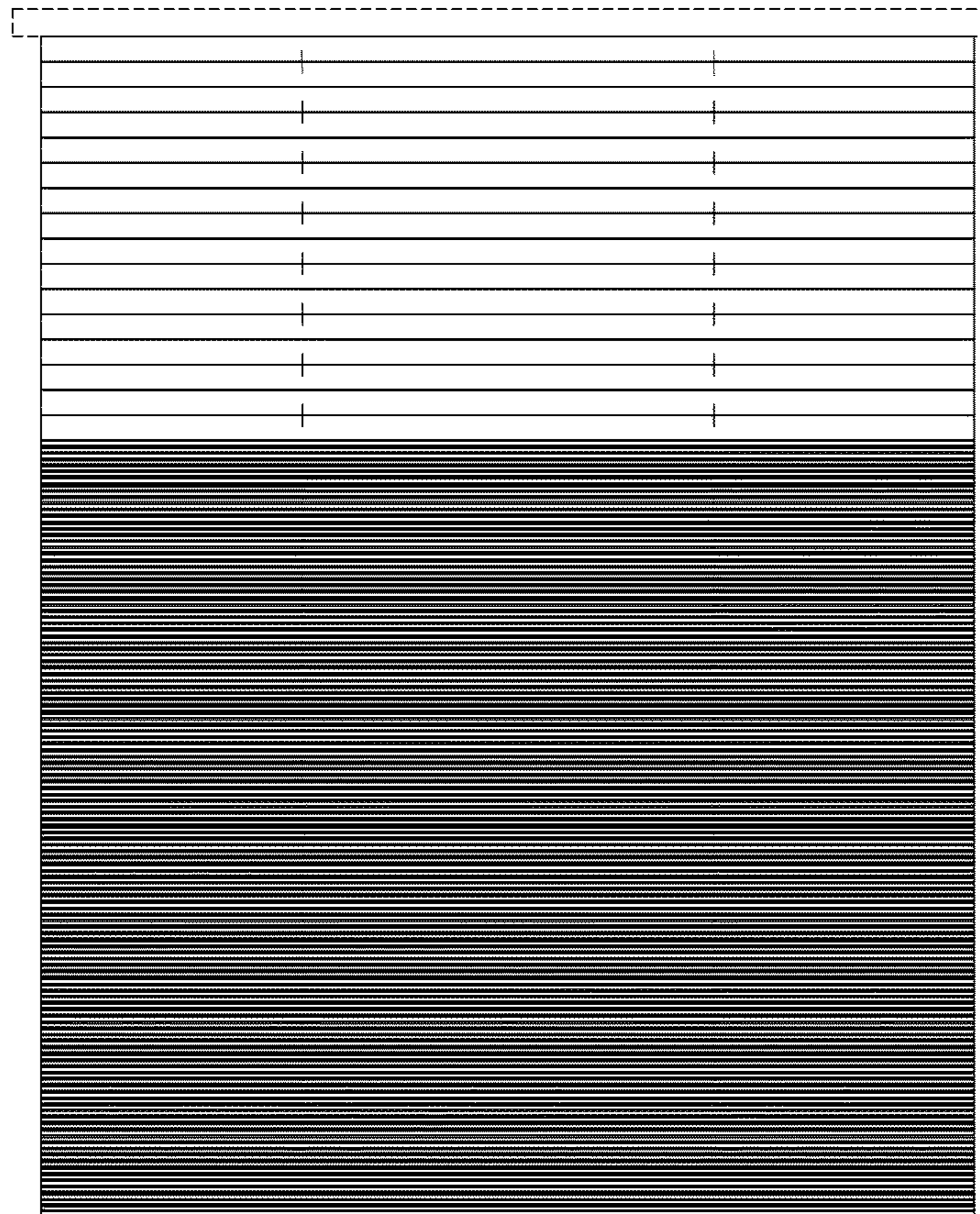


FIG. 1

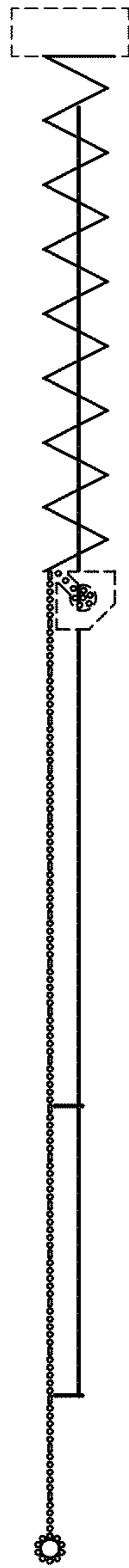


FIG. 2

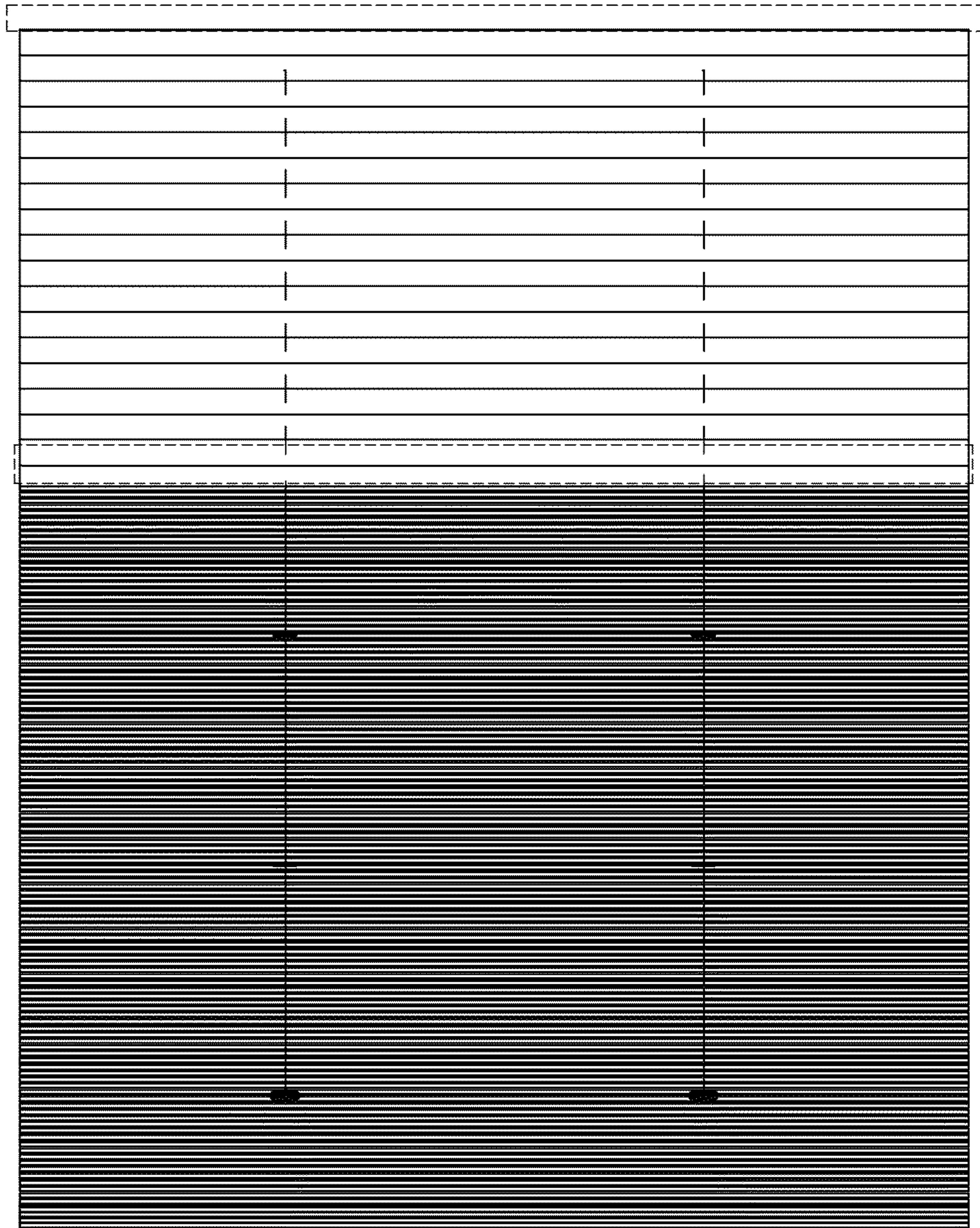


FIG. 3



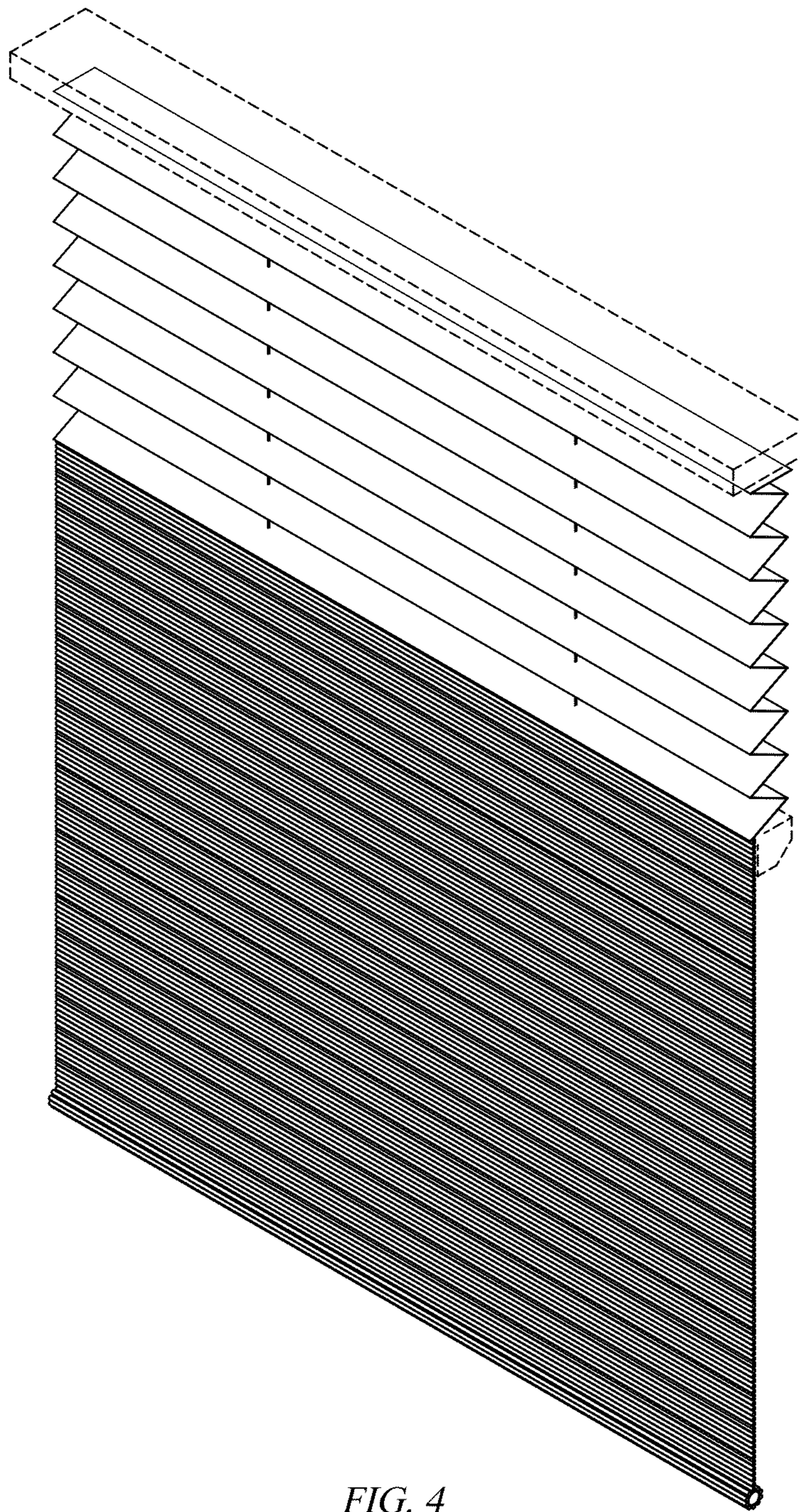


FIG. 4



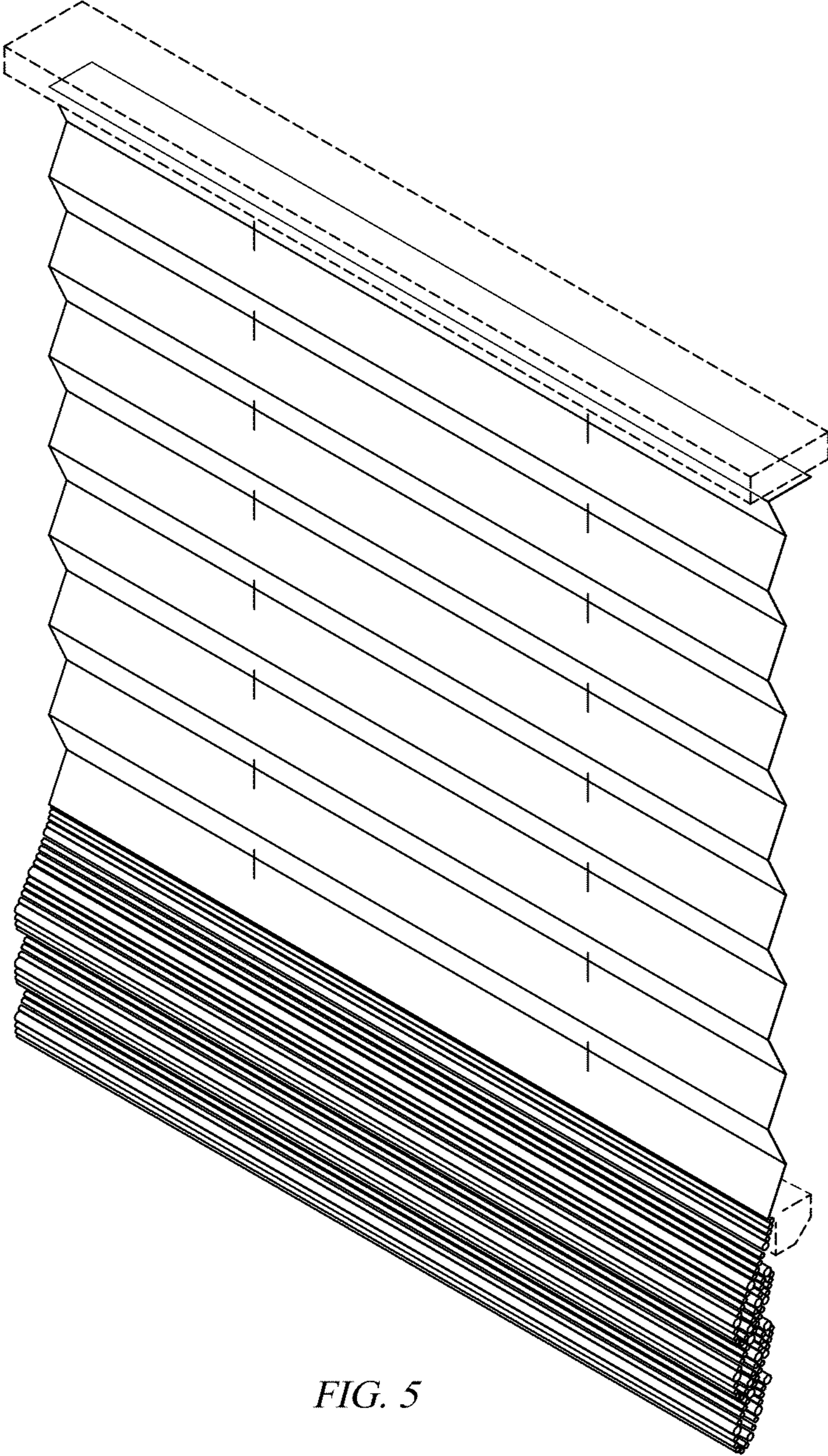


FIG. 5

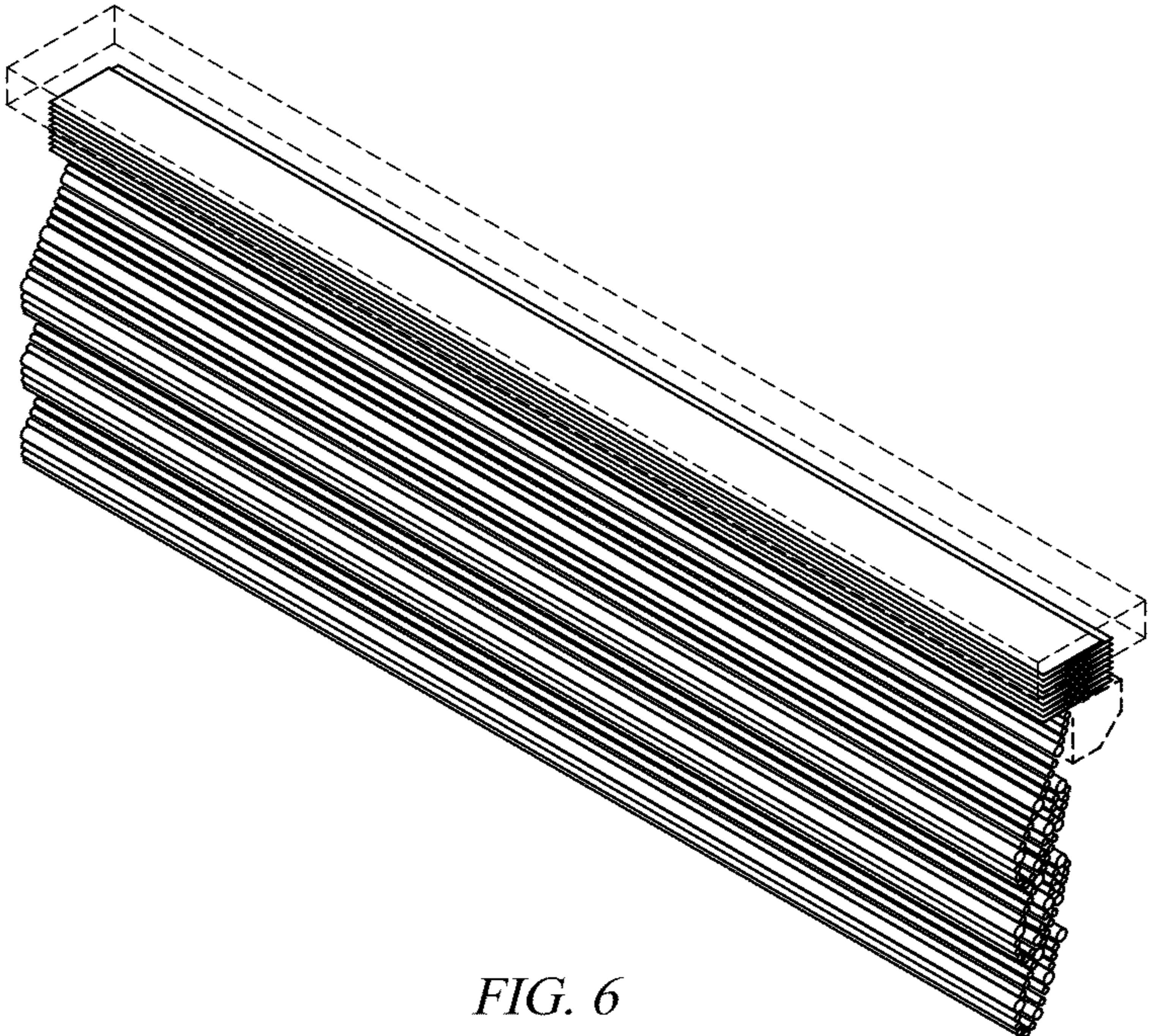
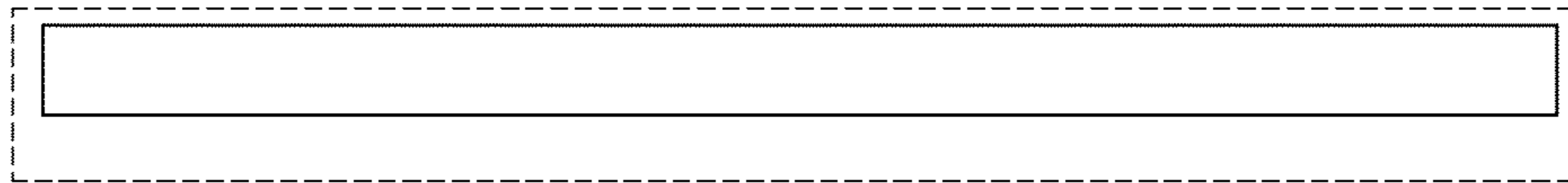
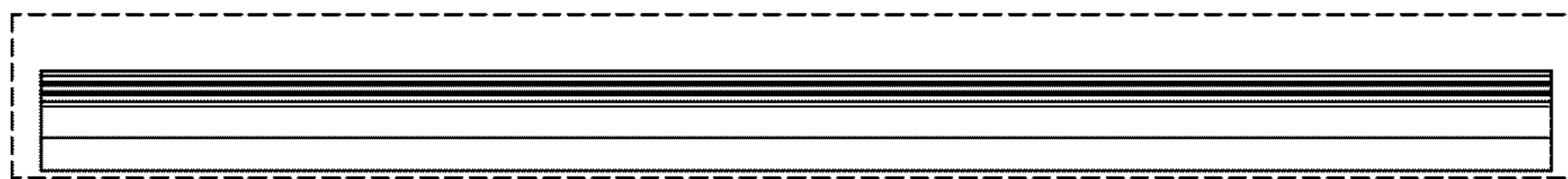


FIG. 6





*FIG. 7*



*FIG. 8*