



US00D701058S

(12) **United States Design Patent**
Goodman et al.

(10) **Patent No.:** **US D701,058 S**
(45) **Date of Patent:** **** Mar. 18, 2014**

- (54) **PAPER TOWEL HOLDER**
- (71) Applicant: **Spectrum Diversified Designs, Inc.**,
Streetsboro, OH (US)
- (72) Inventors: **Sheldon H. Goodman**, Solon, OH (US);
Phaysouk Xayoiphonh, Akron, OH
(US)
- (73) Assignee: **Spectrum Diversified Designs, Inc.**,
Streetsboro, OH (US)

D448,592 S *	10/2001	McBride	D6/522
D450,503 S *	11/2001	Gottwald	D6/523
D465,365 S *	11/2002	Moore	D6/523
D477,481 S *	7/2003	Ouano	D6/523
D506,920 S *	7/2005	Taylor	D6/548
D521,292 S *	5/2006	Ferrer Beltran	D6/546
D522,295 S *	6/2006	Ferrer Beltran	D6/546
D523,273 S *	6/2006	Ferrer Beltran	D6/546
D573,825 S *	7/2008	Rubin et al.	D6/546
D576,435 S *	9/2008	Snell	D6/522
D613,540 S *	4/2010	Klein et al.	D6/548
D663,984 S *	7/2012	Fritz et al.	D6/546

* cited by examiner

(**) Term: **14 Years**

Primary Examiner — Brian N Vinson

(21) Appl. No.: **29/469,441**

(74) *Attorney, Agent, or Firm* — Renner, Otto, Boisselle & Sklar, LLP

(22) Filed: **Oct. 10, 2013**

(51) **LOC (10) Cl.** **23-02**

(52) **U.S. Cl.**
USPC **D6/522**

(58) **Field of Classification Search**
USPC D6/518–524, 546–550; D8/300, 370,
D8/315; 108/28–29; 211/13.1, 16, 85.5,
211/86.01, 87.01, 88.04, 100, 105.1, 105.2,
211/106, 113, 123, 181.1, 182–183;
248/49, 175, 176.1, 200, 201, 205.1,
248/251, 302, 309.1, 315; 242/570, 590,
242/595–598

See application file for complete search history.

(56) **References Cited**

U.S. PATENT DOCUMENTS

D139,479 S *	11/1944	Sale	D6/549
D156,231 S *	11/1949	Grady	D6/549
D234,990 S *	4/1975	Morgan	D6/546

(57) **CLAIM**

The ornamental design for a paper towel holder, as shown and described.

DESCRIPTION

FIG. 1 is a perspective view of a paper towel holder showing our new design.

FIG. 2 is a top view thereof.

FIG. 3 is a front view thereof.

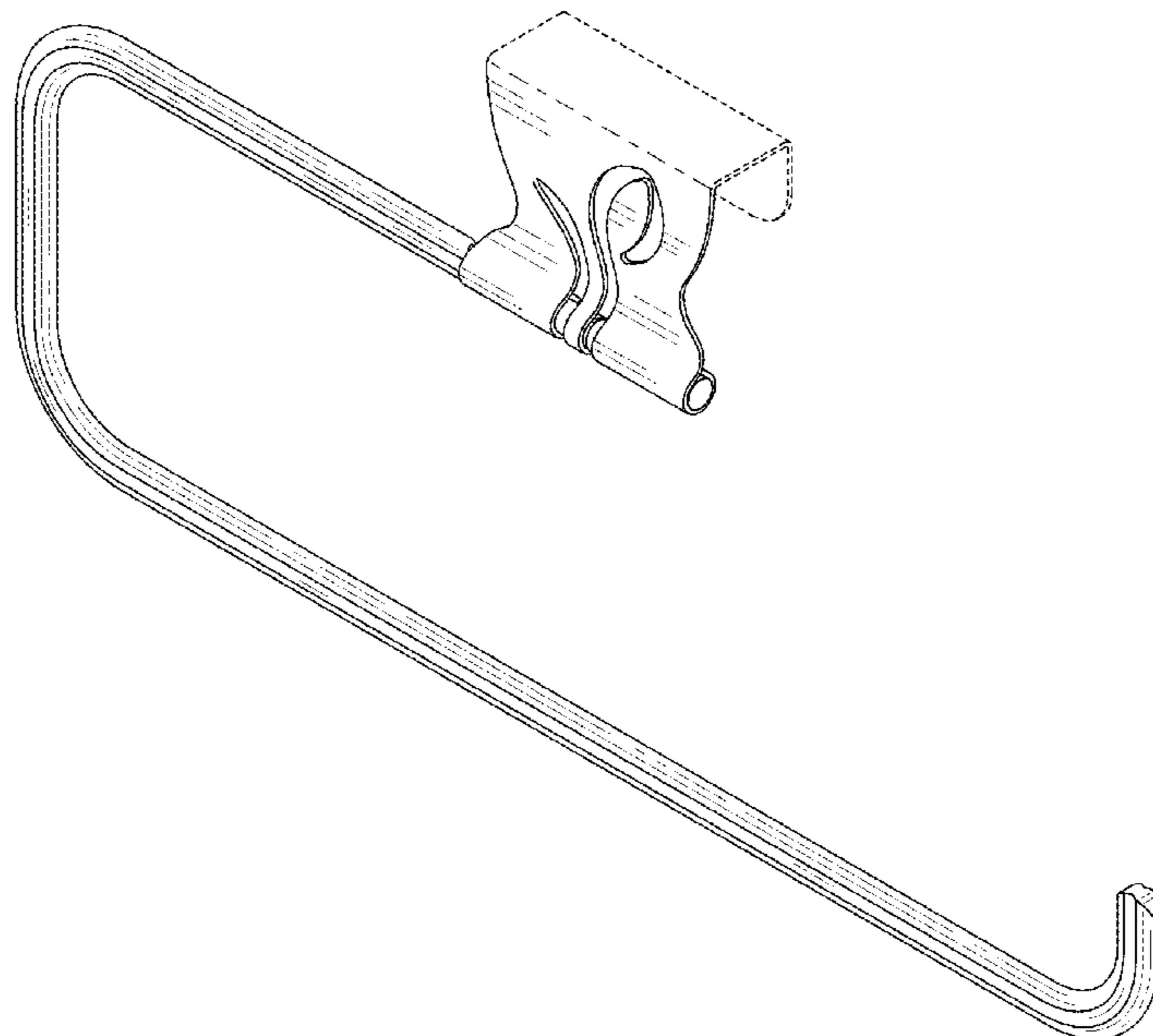
FIG. 4 is a bottom view thereof.

FIG. 5 is a left side view thereof; and,

FIG. 6 is a right side view thereof.

The broken-line disclosure represents an unclaimed portion of the paper towel holder, and the short dash-long dash line represents an unclaimed boundary between an unclaimed surface and the surface forming part of the claimed design, that surface having been provided with surface shading.

1 Claim, 2 Drawing Sheets



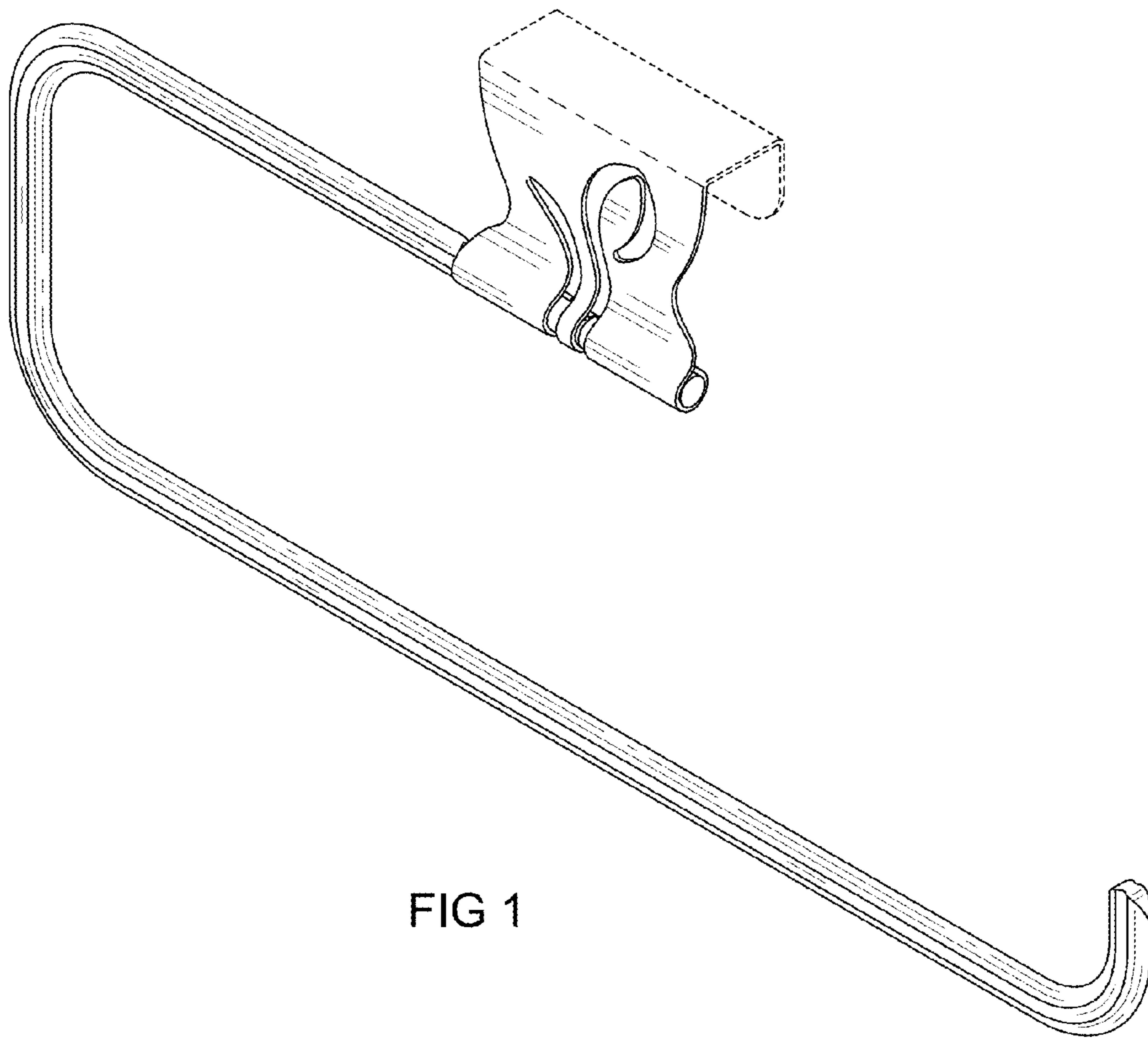


FIG 1

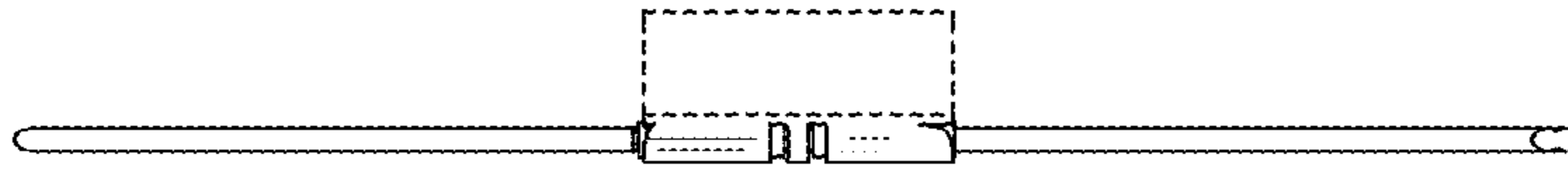


FIG 2

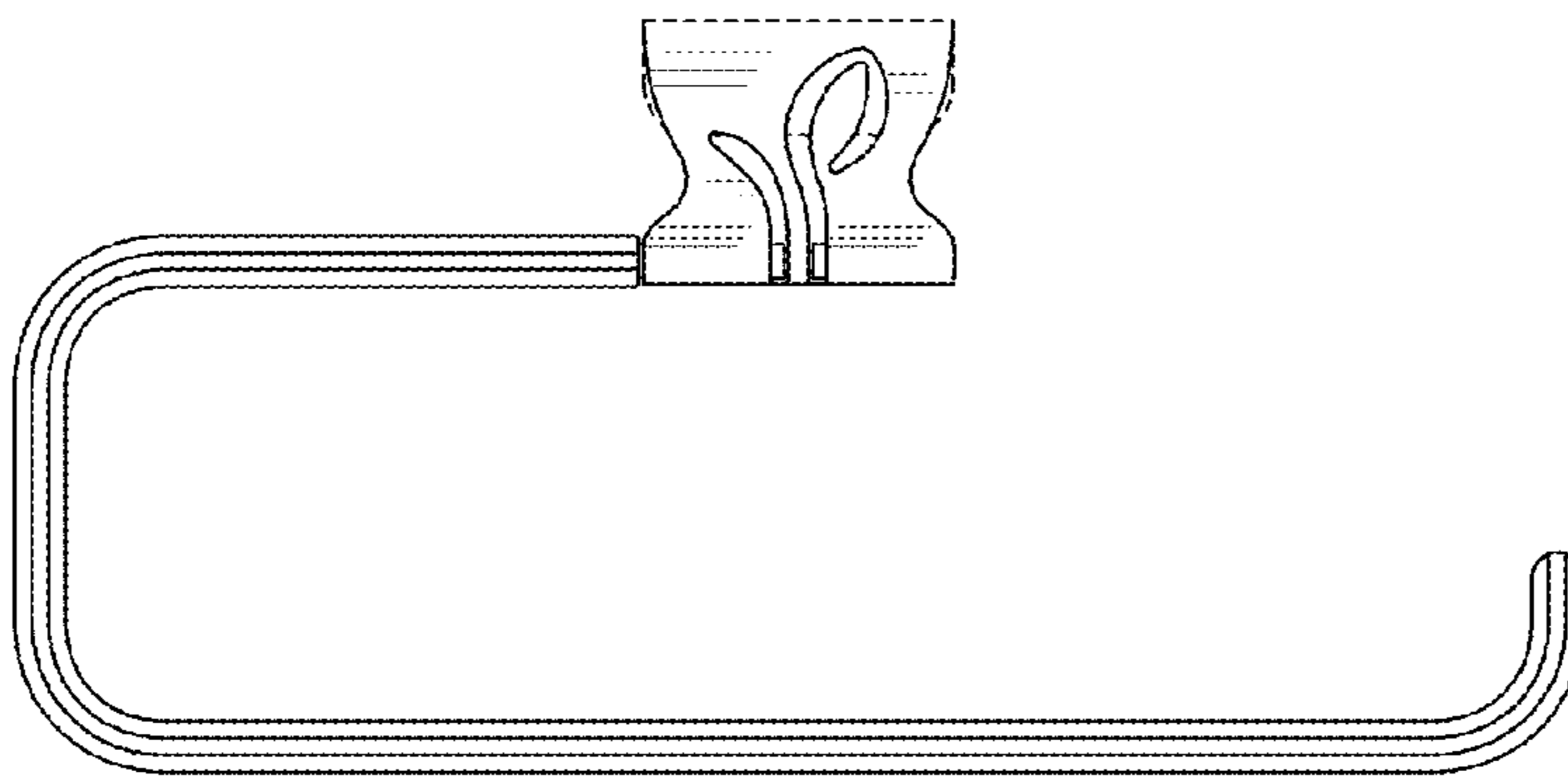


FIG 3



FIG 4

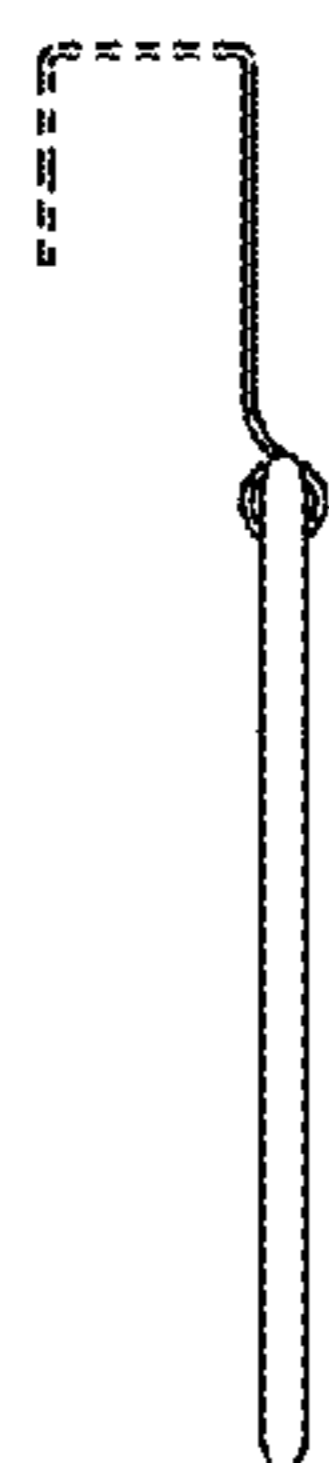


FIG 5

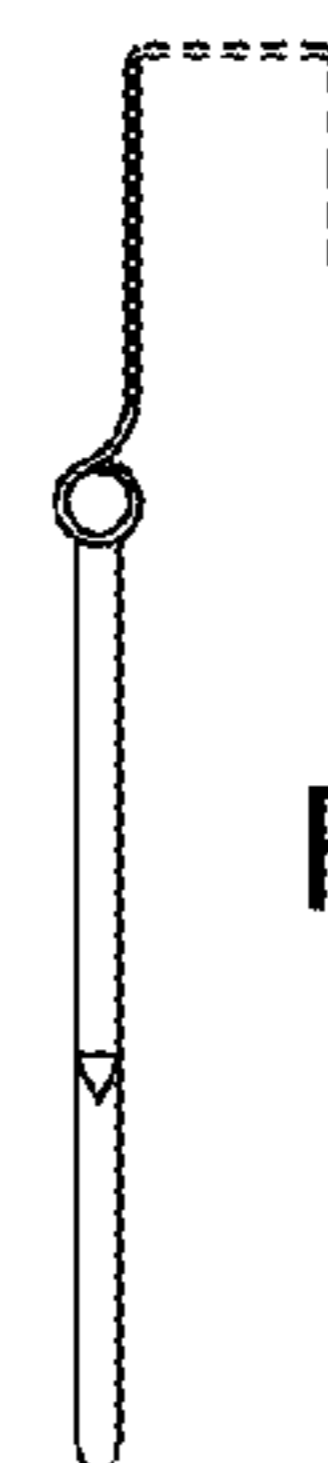


FIG 6