



US00D701056S

(12) **United States Design Patent**
Morand

(10) **Patent No.:** **US D701,056 S**
(45) **Date of Patent:** **** Mar. 18, 2014**

(54) **FILM-DISPENSING CASSETTE FOR GARBAGE**

(71) Applicant: **International Refills Company Ltd.**,
Christ Church (BB)

(72) Inventor: **Michel Morand**, Montreal (CA)

(73) Assignee: **International Refills Company Ltd.**
(BB)

(**) Term: **14 Years**

(21) Appl. No.: **29/460,413**

(22) Filed: **Jul. 10, 2013**

(51) **LOC (10) Cl.** **20-02**

(52) **U.S. Cl.**
USPC **D6/515**

(58) **Field of Classification Search**
USPC D6/515, 518; D34/10; 206/390, 397,
206/409, 303; 220/908, 909, 403, 404, 407;
53/549, 567, 576; D7/354, 357, 677,
D7/359

See application file for complete search history.

(56) **References Cited**

U.S. PATENT DOCUMENTS

D133,413	S	*	8/1942	Kleinberg	D7/677
D190,713	S	*	6/1961	Bliss	D7/677
3,252,683	A	*	5/1966	Uetzmann	D7/677
3,452,368	A	*	7/1969	Couper	53/567
3,536,192	A	*	10/1970	Couper	206/303

4,712,701	A	*	12/1987	Durkan, Jr.	220/908
4,721,226	A	*	1/1988	Yurko	220/908
D391,725	S	*	3/1998	Triglia	D34/10
5,813,200	A	*	9/1998	Jacoby et al.	53/567
D427,825	S	*	7/2000	Mooney	D6/515
6,974,029	B2	*	12/2005	Morand et al.	206/303
D614,897	S	*	5/2010	Morand	D6/515
D615,786	S	*	5/2010	Morand	D6/515
D654,738	S	*	2/2012	Morand	D6/515
D661,527	S	*	6/2012	Morand	D6/515
D695,541	S	*	12/2013	Dunn et al.	D6/515

* cited by examiner

Primary Examiner — Brian N Vinson

(74) *Attorney, Agent, or Firm* — Cantor Colburn LLP

(57) **CLAIM**

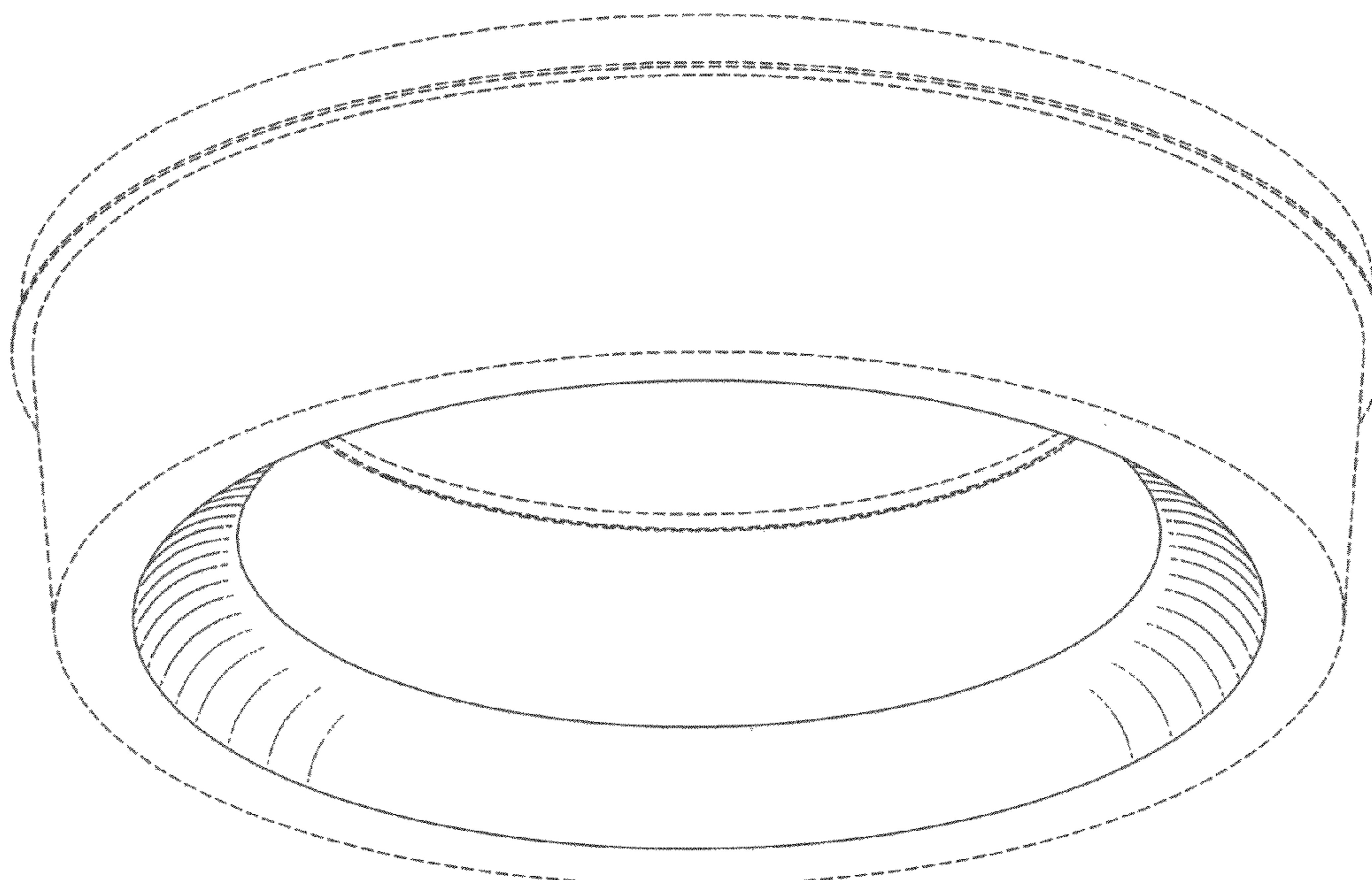
I claim, the ornamental design for a film-dispensing cassette for garbage, as shown and described.

DESCRIPTION

FIG. 1 is a bottom perspective view of film-dispensing cassette for garbage showing our new design;
FIG. 2 is a side elevation view thereof, the opposite and adjacent sides being mirror images thereof;
FIG. 3 is a sectional view thereof, taken along the line 3-3 of FIG. 2;
FIG. 4 is a bottom plan view thereof; and,
FIG. 5 is a top plan view thereof.

The broken-line disclosure represents unclaimed portions of the cassette, and a broken-line abutting a claimed surface which is shown with surface shading is understood the represent an unclaimed boundary between claimed and unclaimed surfaces.

1 Claim, 3 Drawing Sheets



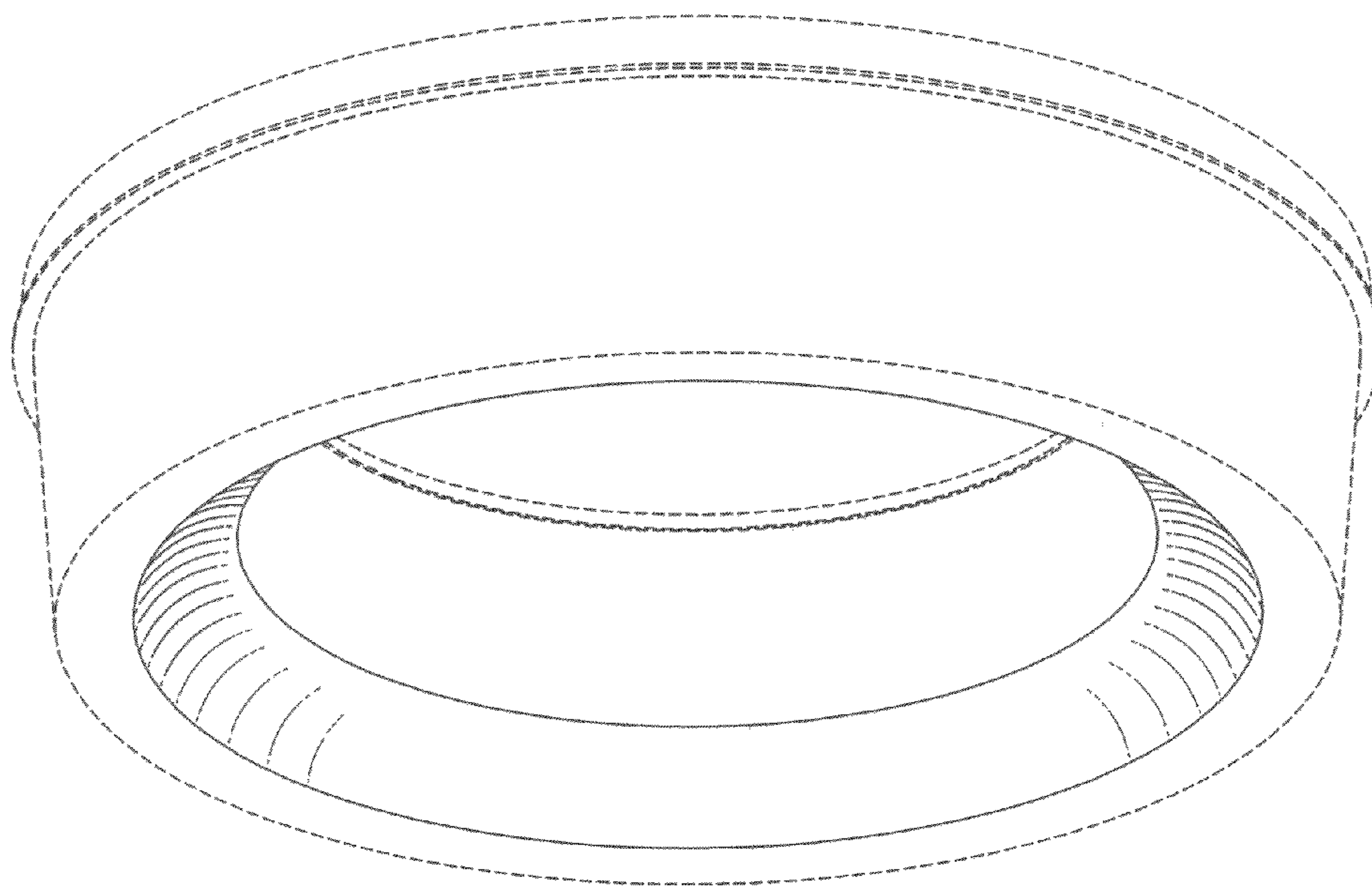


FIG. 1

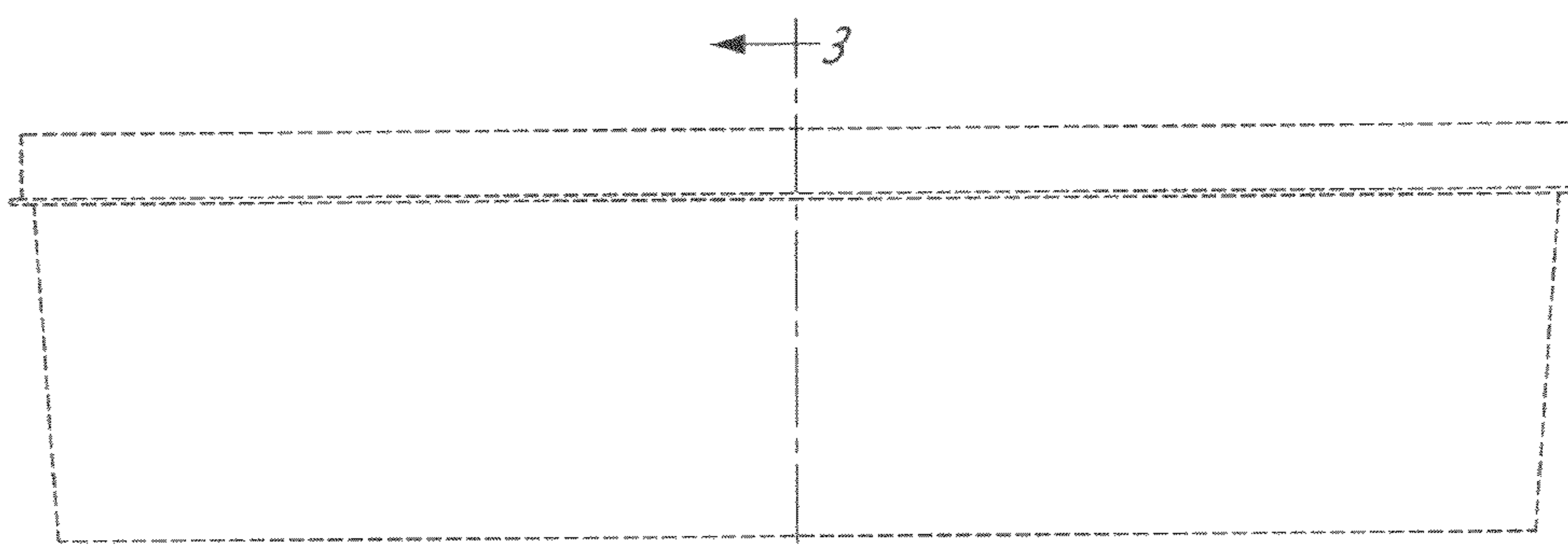


FIG. 2

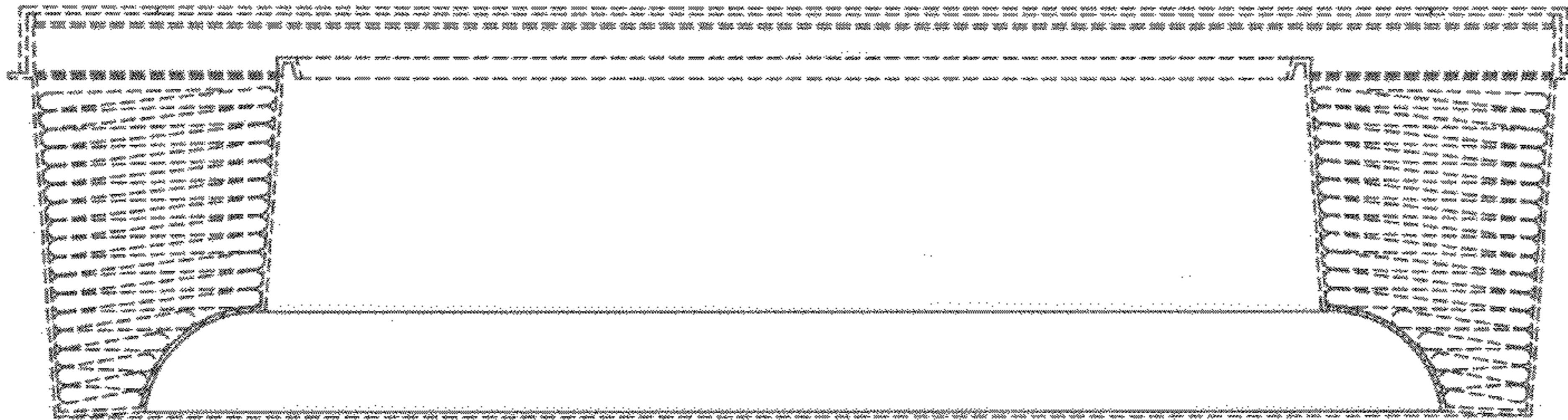


FIG. 3

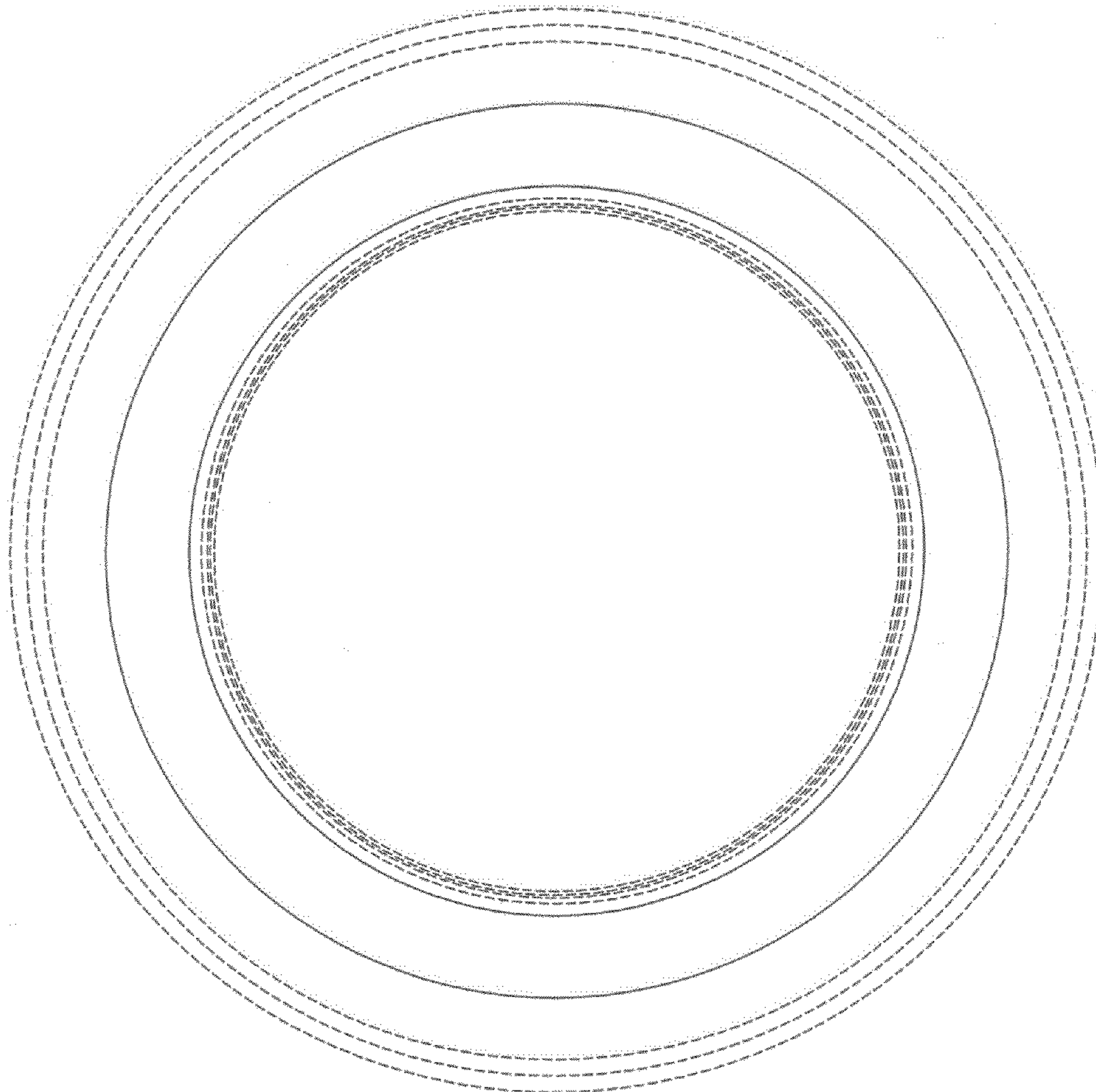


FIG. 4

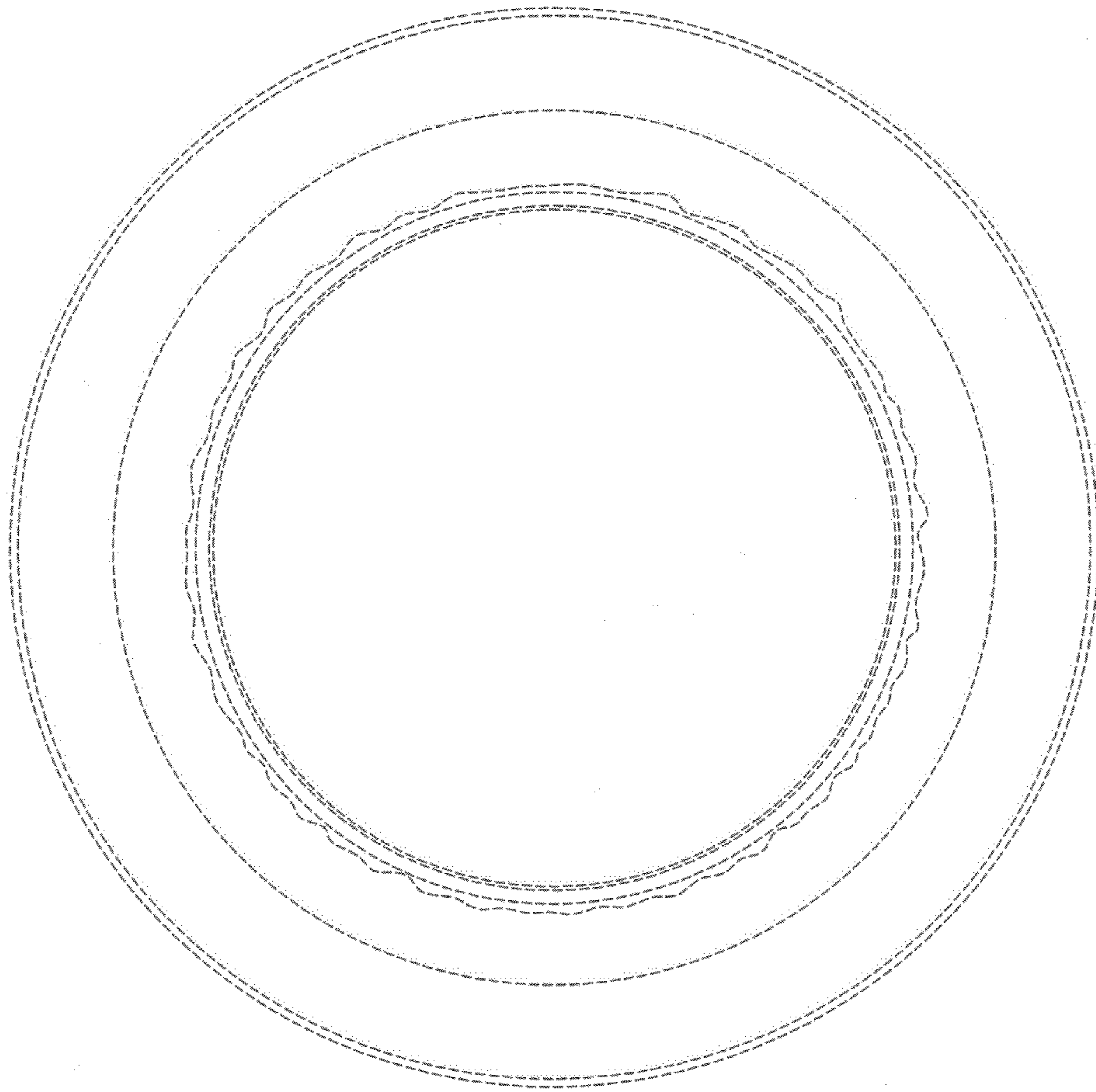


FIG. 5