



US00D701054S

(12) **United States Design Patent**  
**Lee**

(10) **Patent No.:** **US D701,054 S**  
(45) **Date of Patent:** **\*\* Mar. 18, 2014**

(54) **CHAIR WITH DOUBLE CONTOURED  
BOTTOM**

(71) Applicant: **Chang Sup Lee**, Boyds, MD (US)

(72) Inventor: **Chang Sup Lee**, Boyds, MD (US)

(\*\*) Term: **14 Years**

(21) Appl. No.: **29/450,770**

(22) Filed: **Mar. 22, 2013**

(51) **LOC (10) Cl.** ..... **06-01**

(52) **U.S. Cl.**  
USPC ..... **D6/374; D6/380**

(58) **Field of Classification Search**  
USPC ..... 297/199, 239, 445.1, 446.1, 448.1,  
297/451.1, 452.21, 452.27, 452.29, 452.38,  
297/452.48

See application file for complete search history.

(56) **References Cited**

**U.S. PATENT DOCUMENTS**

D29,994 S	1/1899	Dennett	
2,380,102 A	7/1945	Farmer	
D166,838 S *	5/1952	Zank et al.	D6/374
D166,893 S *	5/1952	Weill	D6/374
D169,366 S	4/1953	Feldman	
D169,930 S *	6/1953	Chapman et al.	D6/374
D179,770 S *	2/1957	Hoven	D6/374
D181,241 S *	10/1957	Swanson	D6/374
D187,216 S *	2/1960	Spilman	D6/374
3,393,012 A	7/1968	Chancellor, Jr.	
3,527,498 A	9/1970	Werner	
D233,101 S *	10/1974	Katoda	D6/380
D238,235 S	12/1975	Elgebrandt	
D272,393 S *	1/1984	Klier	D6/334
4,522,447 A *	6/1985	Snyder et al.	297/452.27
4,913,496 A *	4/1990	Oke	297/448.1
D318,923 S	8/1991	Marsh	
5,154,474 A	10/1992	Desanta	
D342,411 S	12/1993	Graebe	

5,395,162 A	3/1995	Jay et al.	
5,457,833 A	10/1995	Jay	
5,522,106 A	6/1996	Harrison et al.	
5,613,257 A	3/1997	Graebe	
5,657,499 A	8/1997	Vaughn et al.	
D393,757 S	4/1998	Breen	
D396,981 S *	8/1998	Laidlaw	D6/601
5,833,319 A	11/1998	Davis	
5,845,352 A	12/1998	Matsler et al.	
D421,359 S *	3/2000	Liao	D6/601
6,135,550 A *	10/2000	Tucho	297/199
D458,467 S	6/2002	Starck	
D460,282 S	7/2002	Starck	
D465,665 S	11/2002	Ritchie et al.	
D474,637 S	5/2003	Scheetz	
6,611,980 B2	9/2003	Wempe	
D485,085 S	1/2004	Swy et al.	
D498,071 S	11/2004	Ashby et al.	
D523,255 S	6/2006	Dettmann et al.	
7,140,057 B2	11/2006	Hetzel et al.	
7,216,388 B2	5/2007	Bieganeck et al.	
D548,842 S	8/2007	Elnekaveh	
D559,001 S	1/2008	Starck	
7,373,678 B2	5/2008	Hetzel et al.	

(Continued)

Primary Examiner — Mimoso De

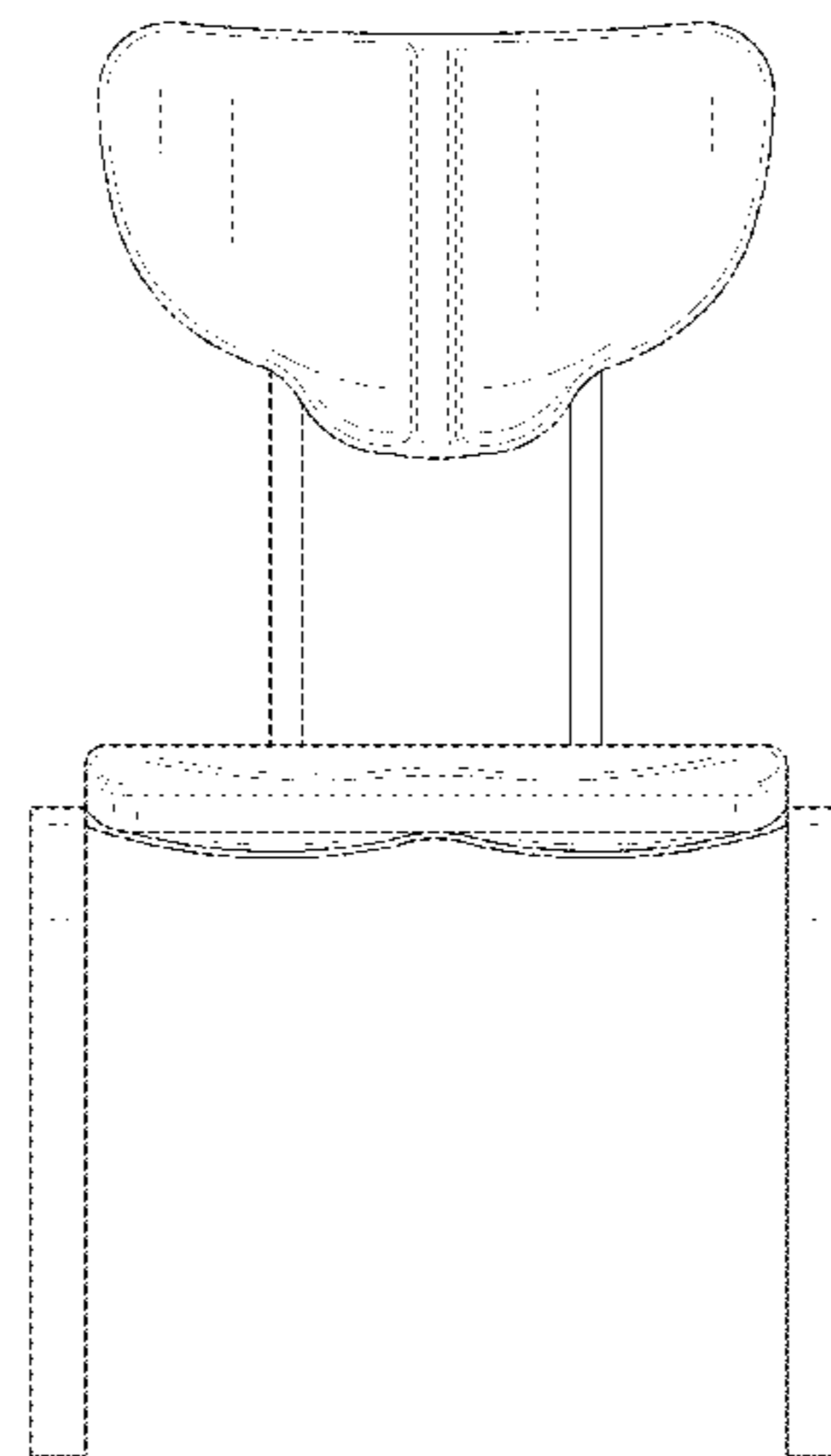
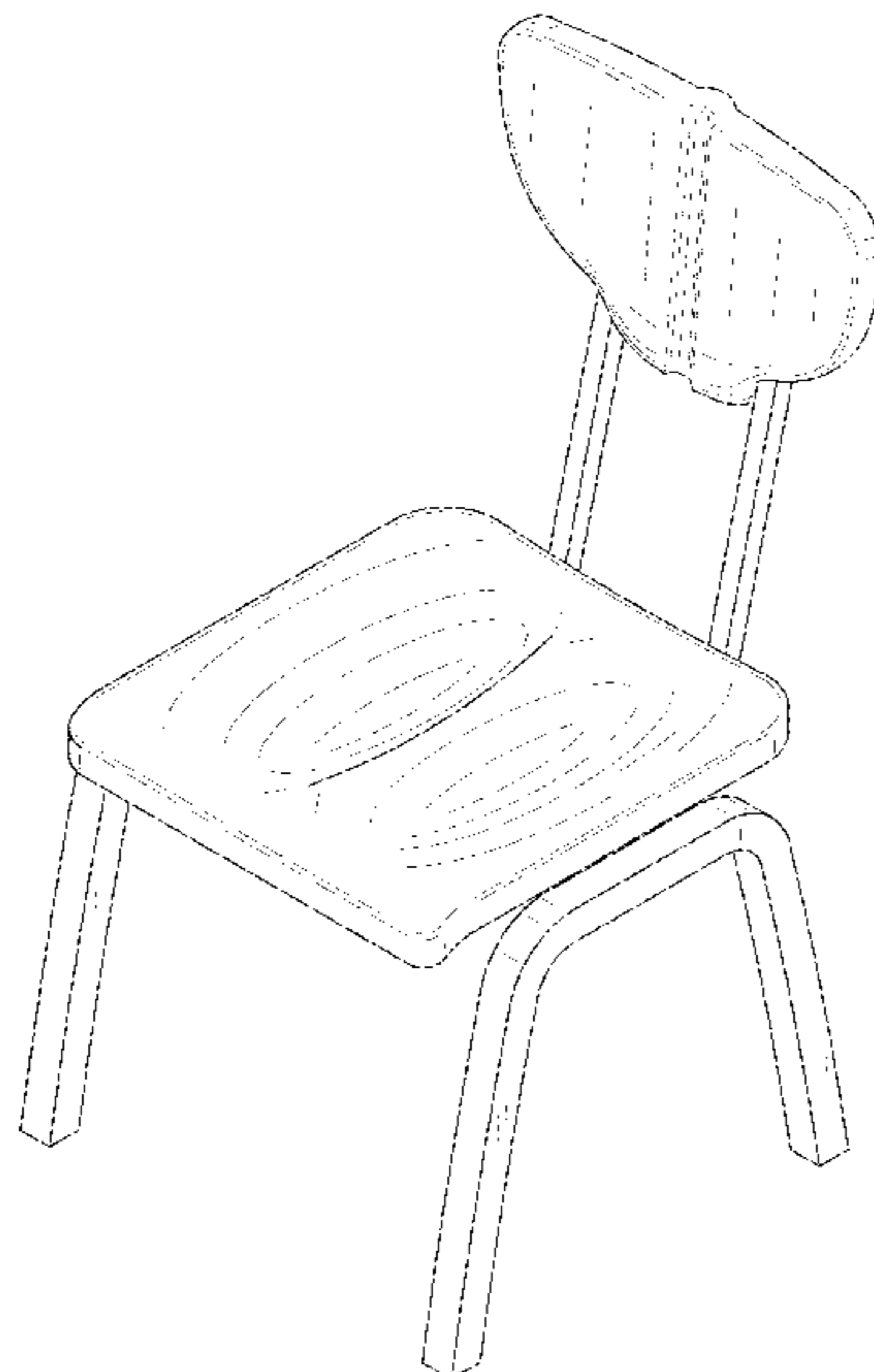
(57) **CLAIM**

The ornamental design for a chair with double contoured bottom, as shown and described.

**DESCRIPTION**

FIG. 1 is a perspective view of a chair with double contoured bottom showing my new design;  
FIG. 2 is a front view thereof;  
FIG. 3 is a back view thereof;  
FIG. 4 is a side view; opposite side view is a mirror-image thereof;  
FIG. 5 is a top view thereof;  
FIG. 6 is a bottom perspective view thereof; and,  
FIG. 7 is a cross-sectional view of FIG. 5 thereof.

**1 Claim, 7 Drawing Sheets**



(56)

**References Cited**

U.S. PATENT DOCUMENTS

7,396,078 B2 7/2008 Weber et al.  
D576,817 S 9/2008 Sienkowski  
7,891,033 B2 2/2011 Loewenthal et al.  
7,914,081 B1 3/2011 Smith  
D636,195 S 4/2011 Reyes et al.

D642,846 S 8/2011 Parish et al.  
D652,648 S 1/2012 Lee  
D658,905 S 5/2012 Lee  
D659,423 S 5/2012 Lee  
2001/0013146 A1\* 8/2001 Wempe ..... 5/654  
2003/0121103 A1 7/2003 Wempe  
2005/0022306 A1 2/2005 Hetzel et al.  
2005/0023872 A1 2/2005 Hetzel et al.

\* cited by examiner

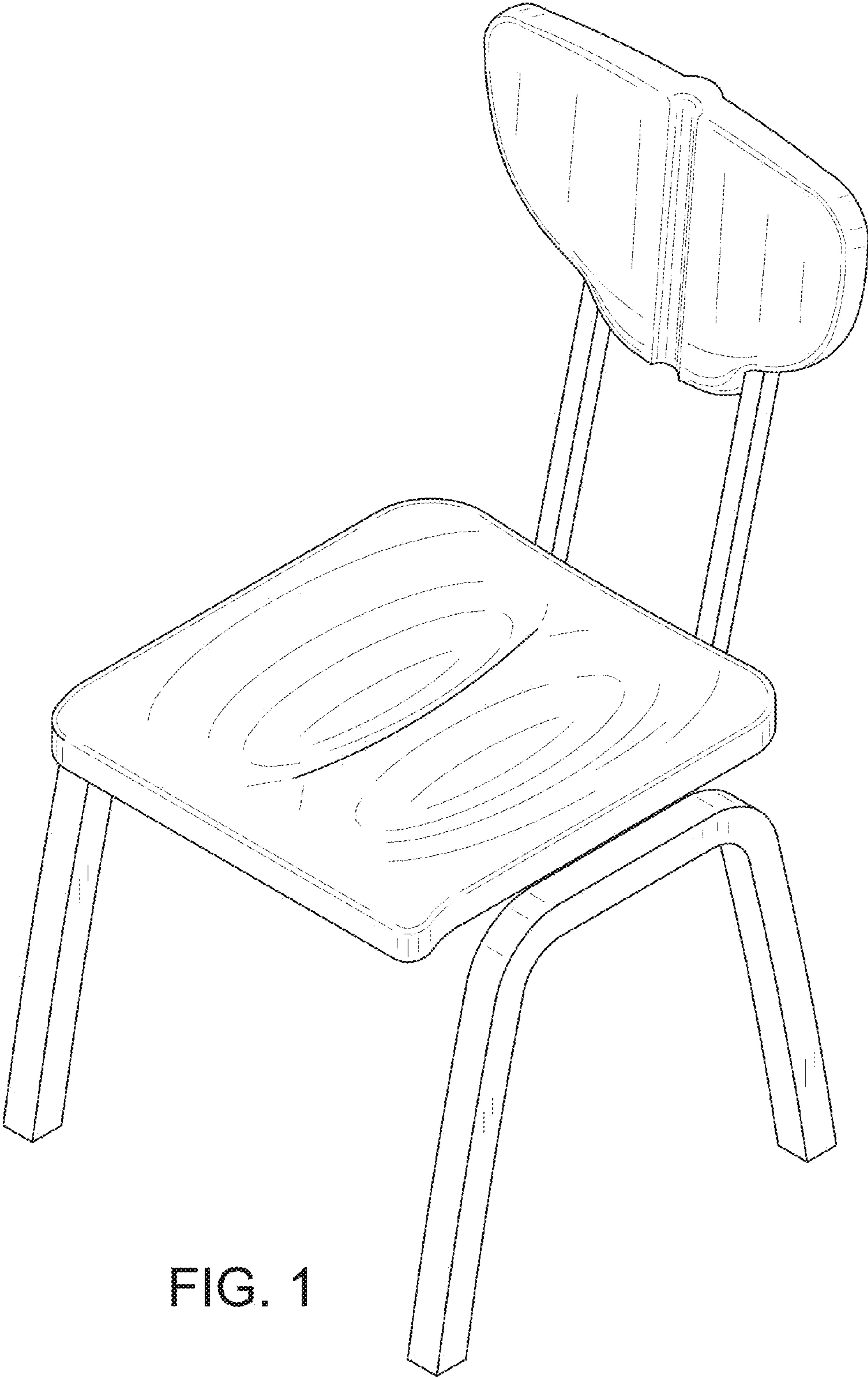


FIG. 1

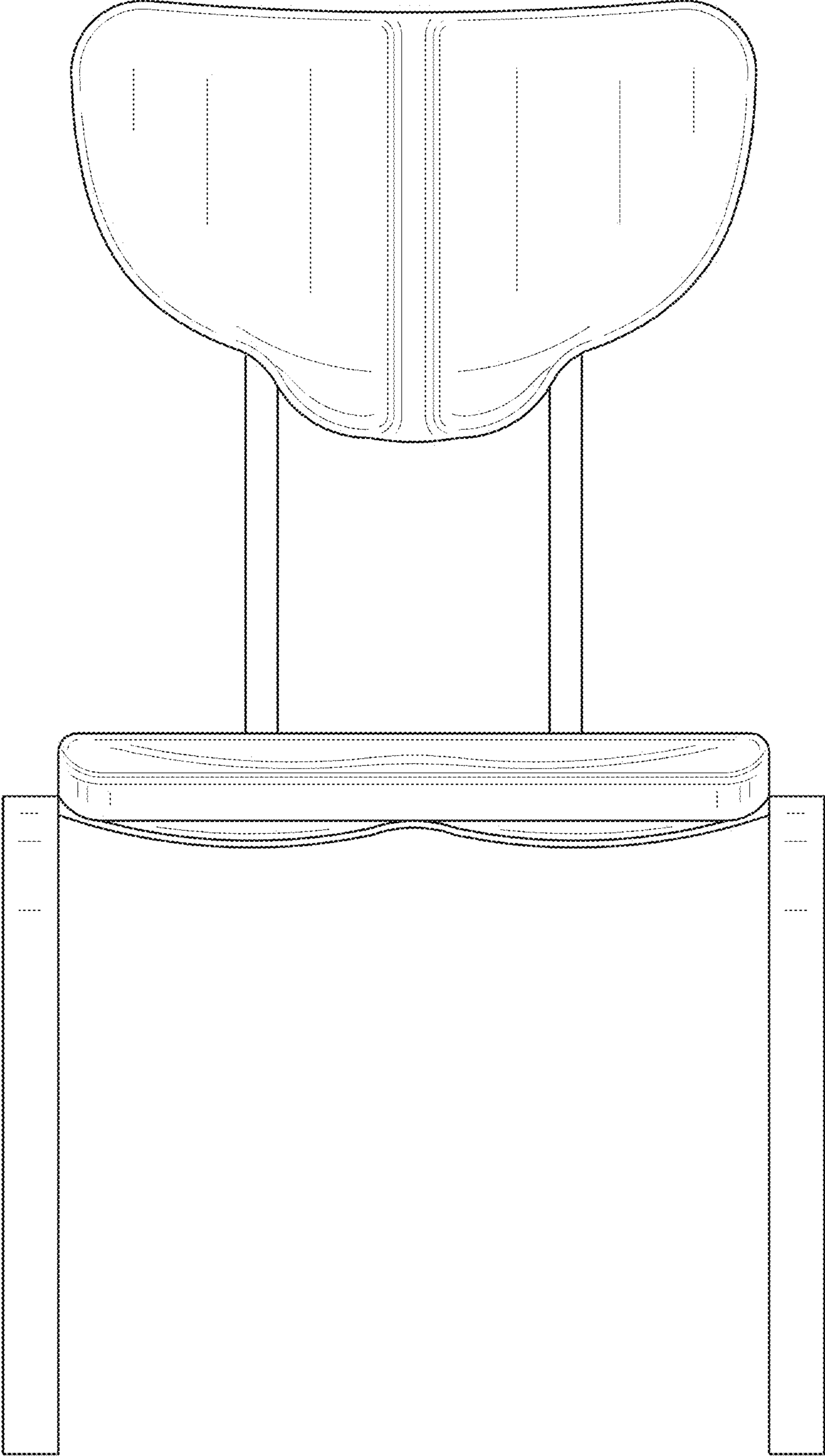


FIG. 2

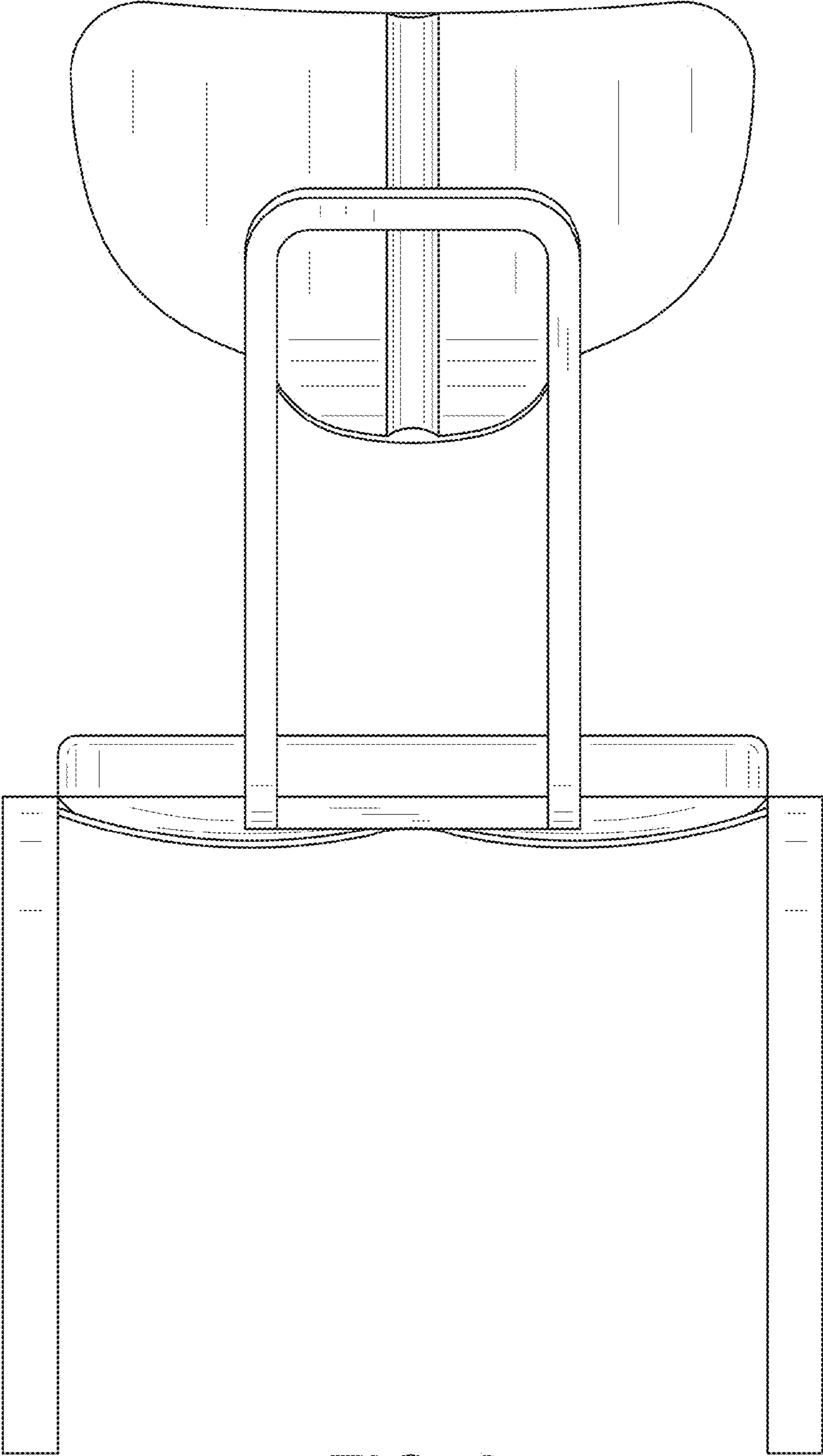


FIG. 3

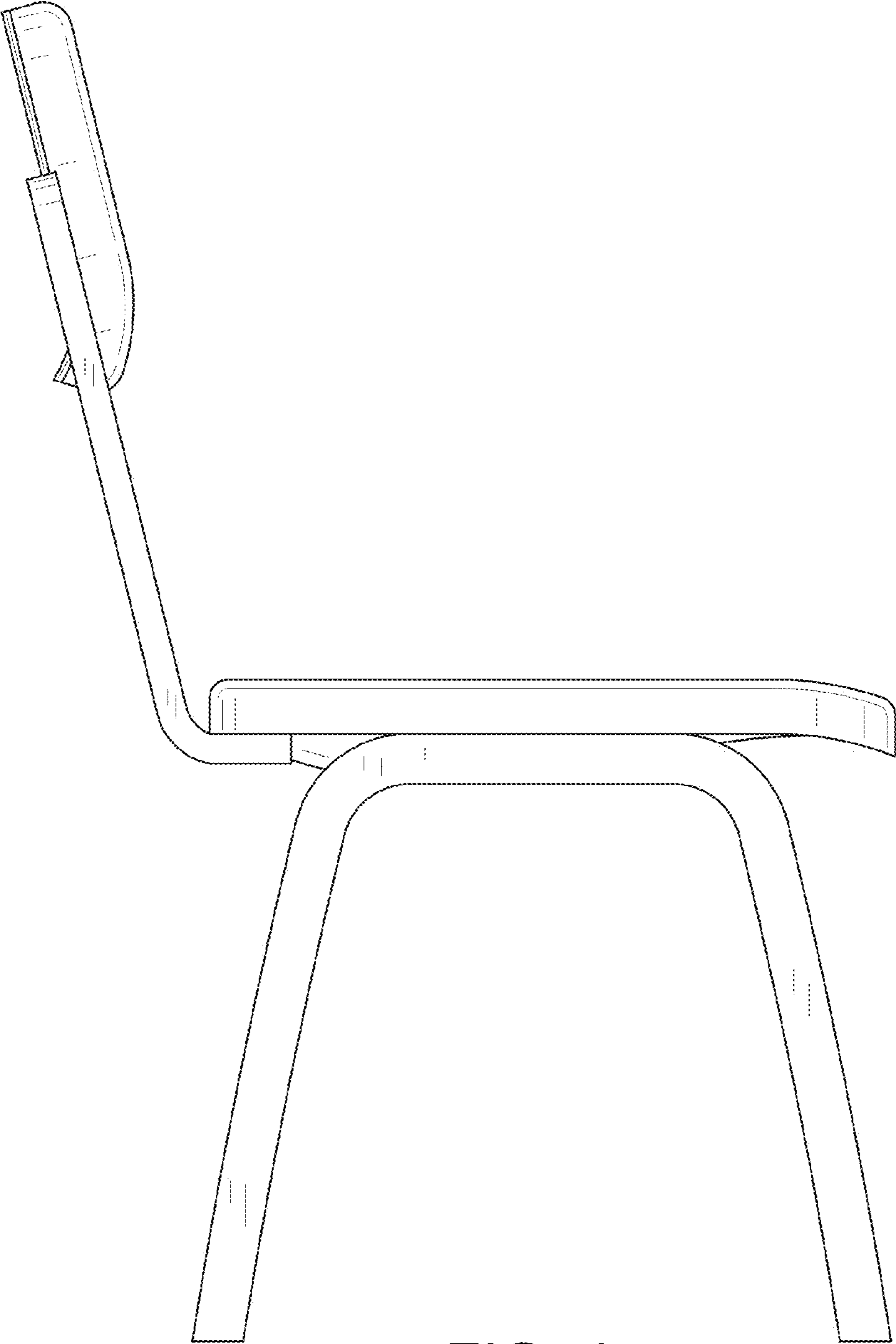


FIG. 4

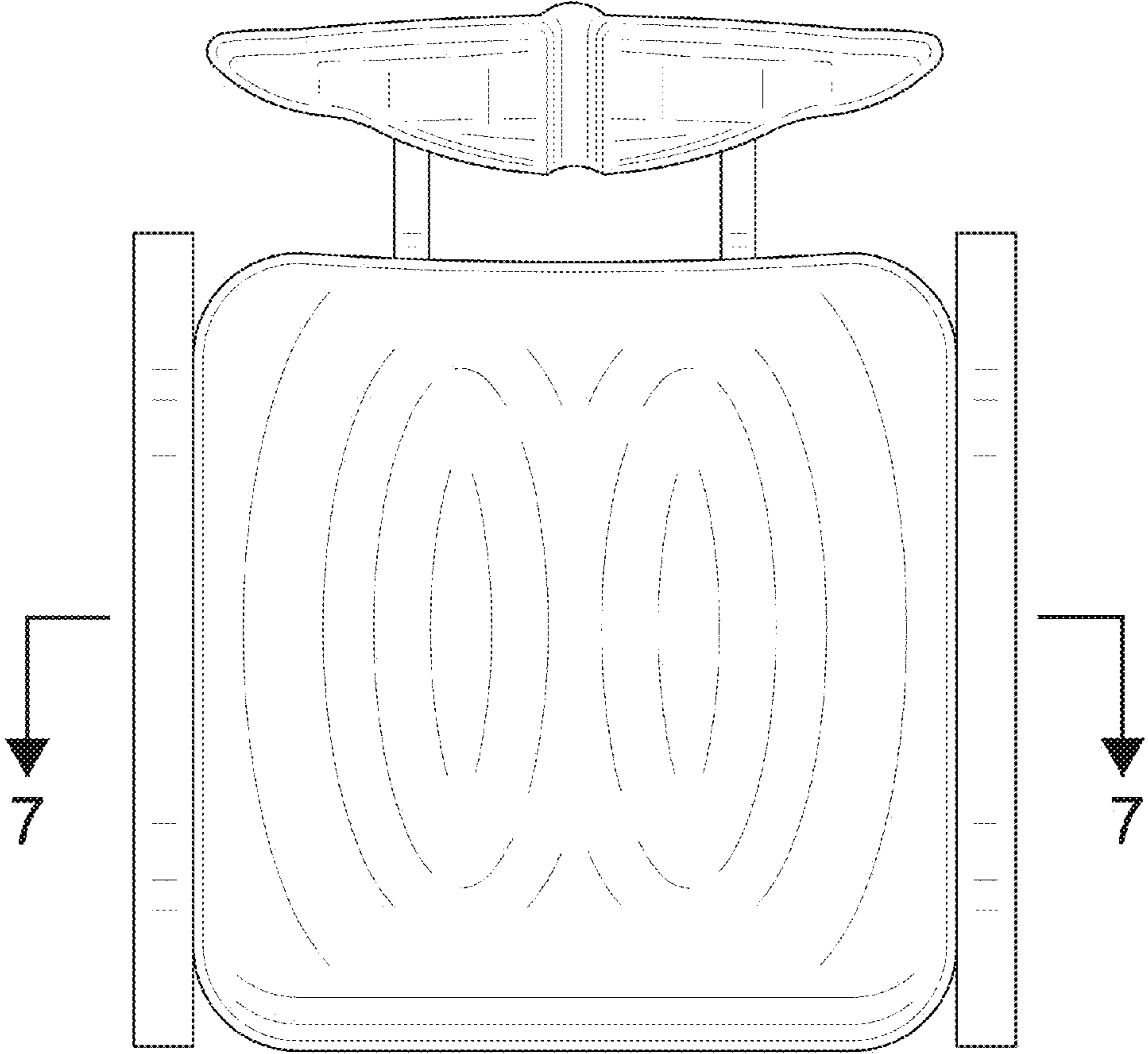


FIG. 5

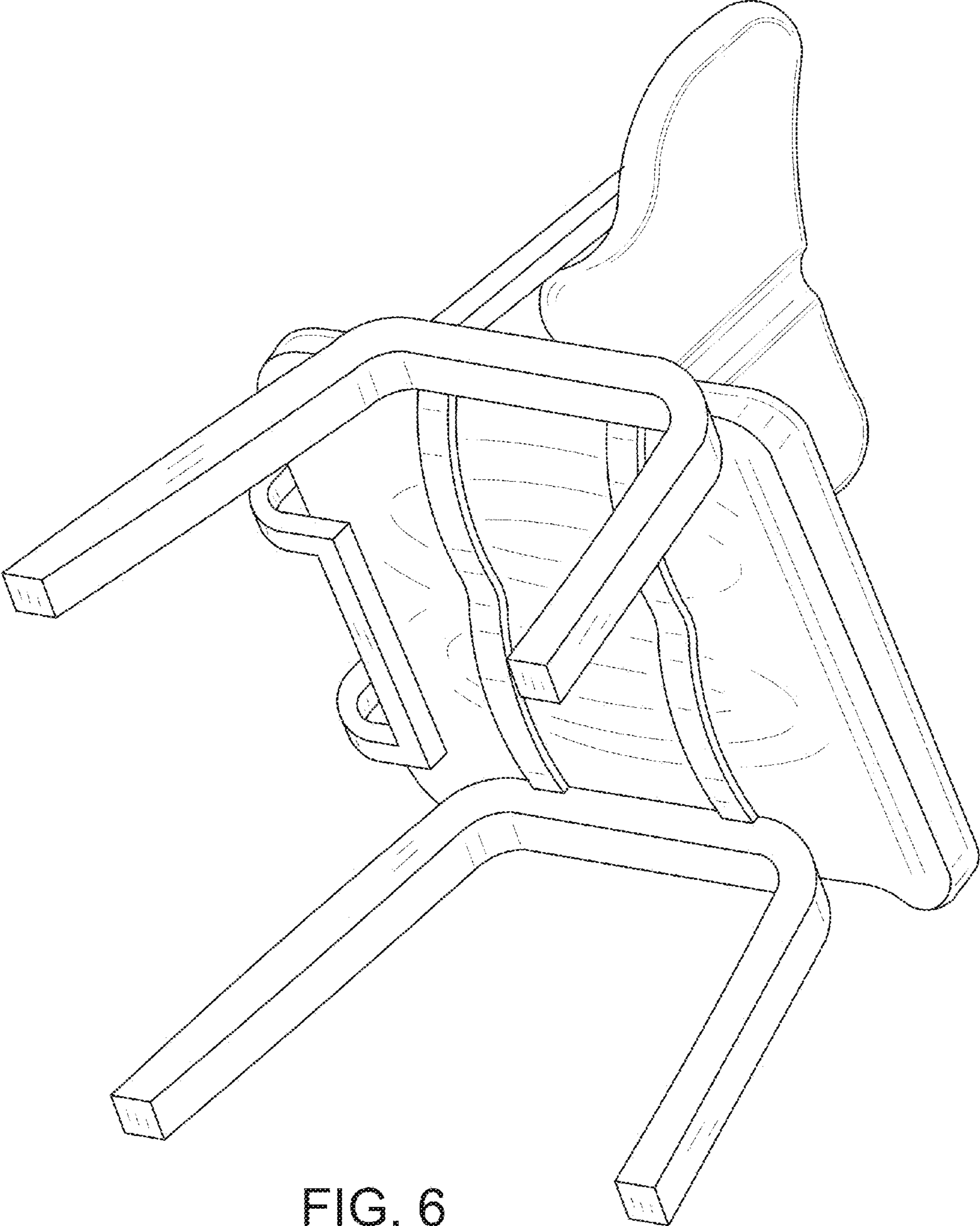


FIG. 6



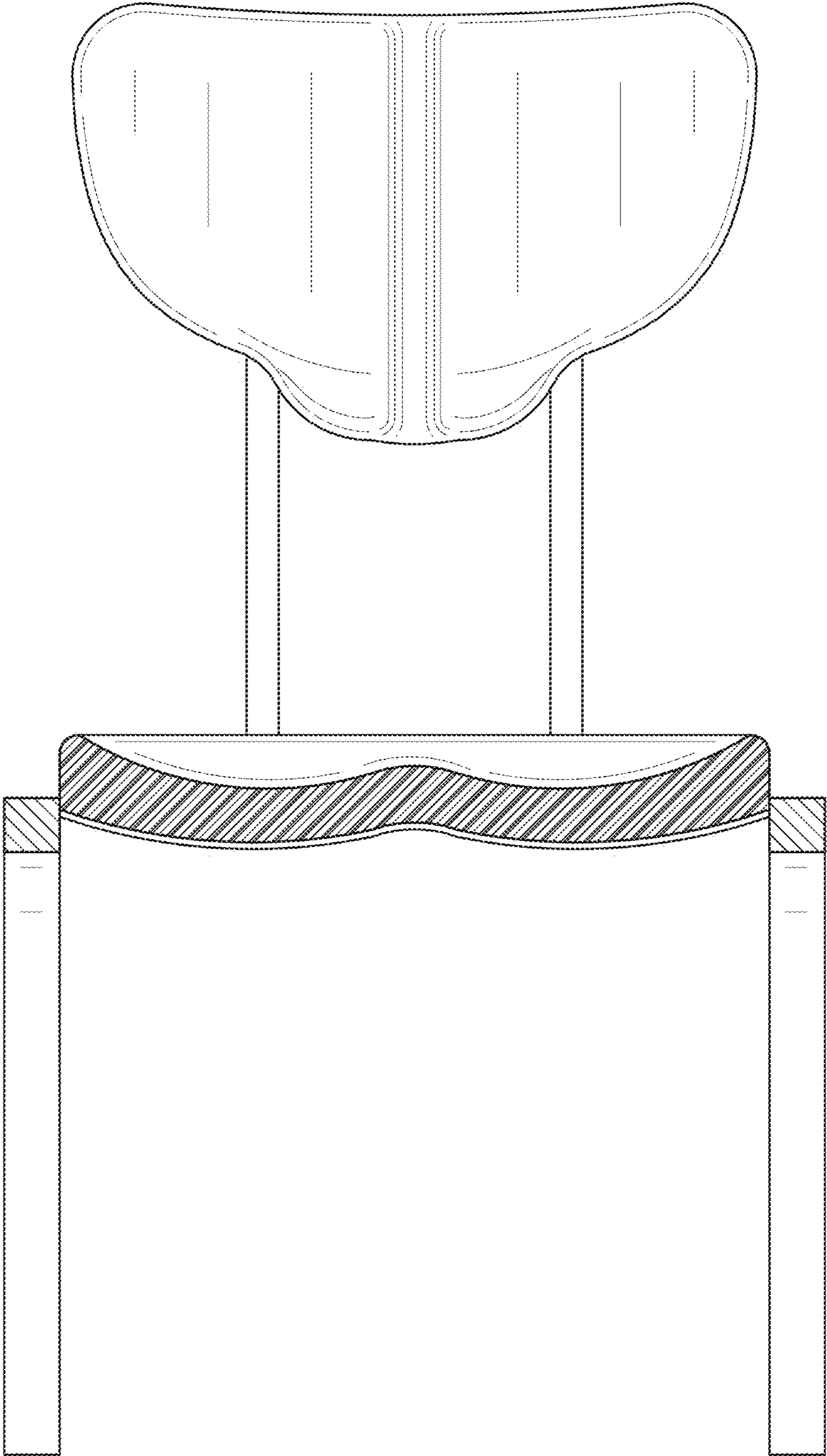


FIG. 7