



US00D701052S

(12) **United States Design Patent**
Breij

(10) **Patent No.:** **US D701,052 S**
(45) **Date of Patent:** **** Mar. 18, 2014**

- (54) **SIDSEAT**
 - (71) Applicant: **Prooff Collection B.V.**, Rotterdam (NL)
 - (72) Inventor: **Jurgen Hans Breij**, Rotterdam (NL)
 - (**) Term: **14 Years**
 - (21) Appl. No.: **29/448,721**
 - (22) Filed: **Mar. 13, 2013**
 - (51) **LOC (10) Cl.** **06-01**
 - (52) **U.S. Cl.**
USPC **D6/336**
 - (58) **Field of Classification Search**
USPC D6/334-338, 349, 355, 361, 368-370,
D6/376, 379-381, 708, 716, 716.1;
297/16.1, 42, 94, 135, 175, 232, 233,
297/350, 351, 445.1, 448.1, 448.2, 451.9;
5/12.1, 12.2
- See application file for complete search history.

D326,191 S *	5/1992	Schiffman	D6/338
D327,780 S *	7/1992	Peters	D6/338
D342,166 S *	12/1993	Heidmann	D6/336
D441,204 S *	5/2001	Bernich	D6/334
D459,096 S *	6/2002	Rossigno	D6/336
D503,549 S *	4/2005	Nicoletti	D6/336
D602,269 S *	10/2009	Jamison et al.	D6/336
D616,209 S *	5/2010	Singler et al.	D6/338
D637,417 S *	5/2011	Marcomini	D6/375
D640,881 S *	7/2011	Marcomini	D6/375

* cited by examiner

Primary Examiner — Sandra Snapp

(74) *Attorney, Agent, or Firm* — Porzio, Bromberg & Newman, P.C.

(57) **CLAIM**

I claim, the ornamental design for a sideseat, as shown and described.

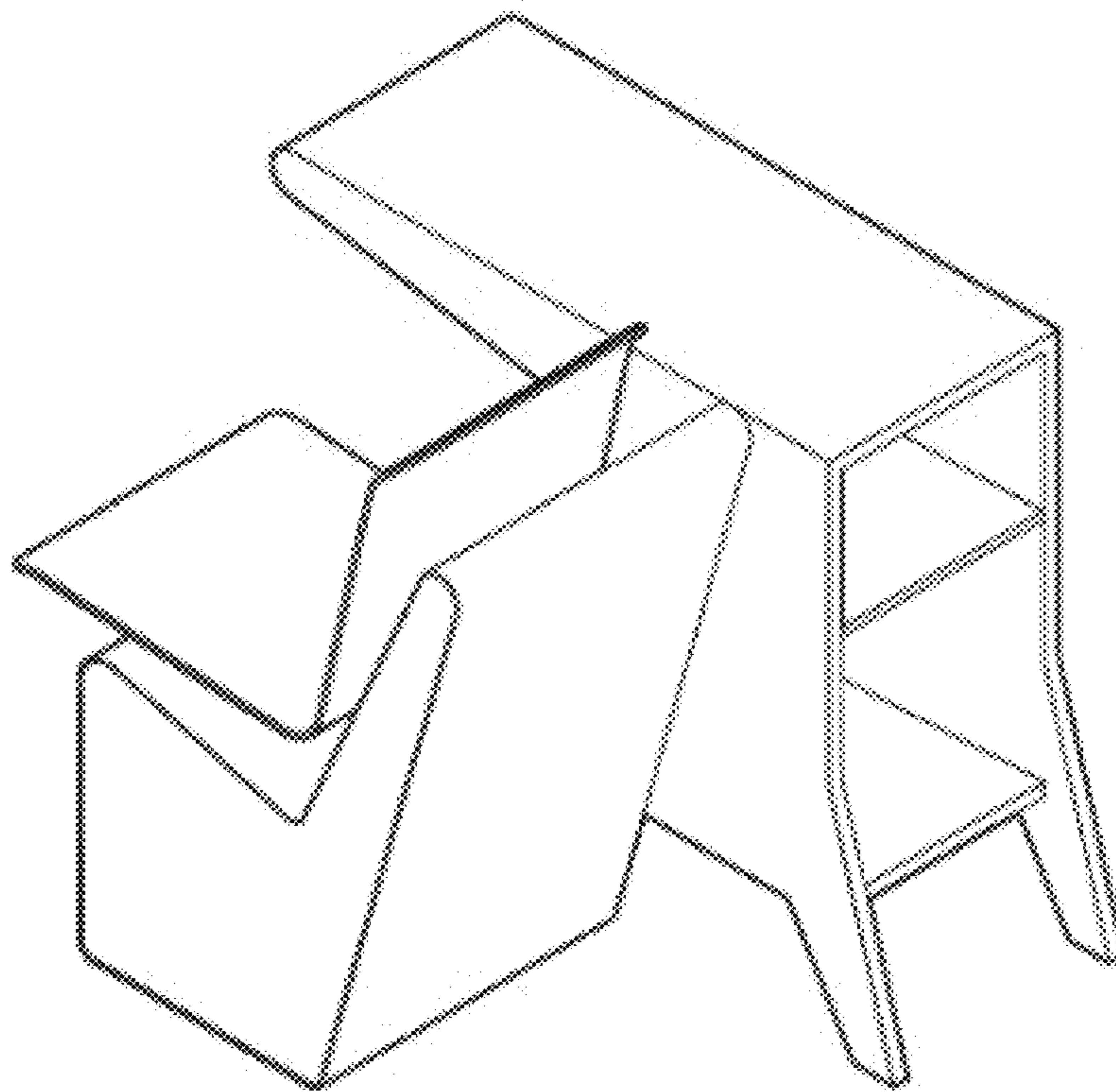
DESCRIPTION

FIG. 1 is a front and side perspective view, showing our new design;
 FIG. 2 is a rear and side perspective view thereof;
 FIG. 3 is a front elevational view thereof;
 FIG. 4 is a rear elevational view thereof;
 FIG. 5 is a right side view thereof;
 FIG. 6 is a left side view thereof; and,
 FIG. 7 is a top plan view thereof.

1 Claim, 7 Drawing Sheets

(56) **References Cited**
U.S. PATENT DOCUMENTS

D102,971 S *	1/1937	Hale	D6/336
D145,657 S *	10/1946	Case	D6/336
D147,386 S *	8/1947	Thomas	D6/336
D148,337 S *	1/1948	Stein	D6/336
D159,534 S *	8/1950	Raichert	D6/338
D181,732 S *	12/1957	Keith	D6/336
3,082,034 A *	3/1963	Silver	297/135
3,972,560 A *	8/1976	White	297/145



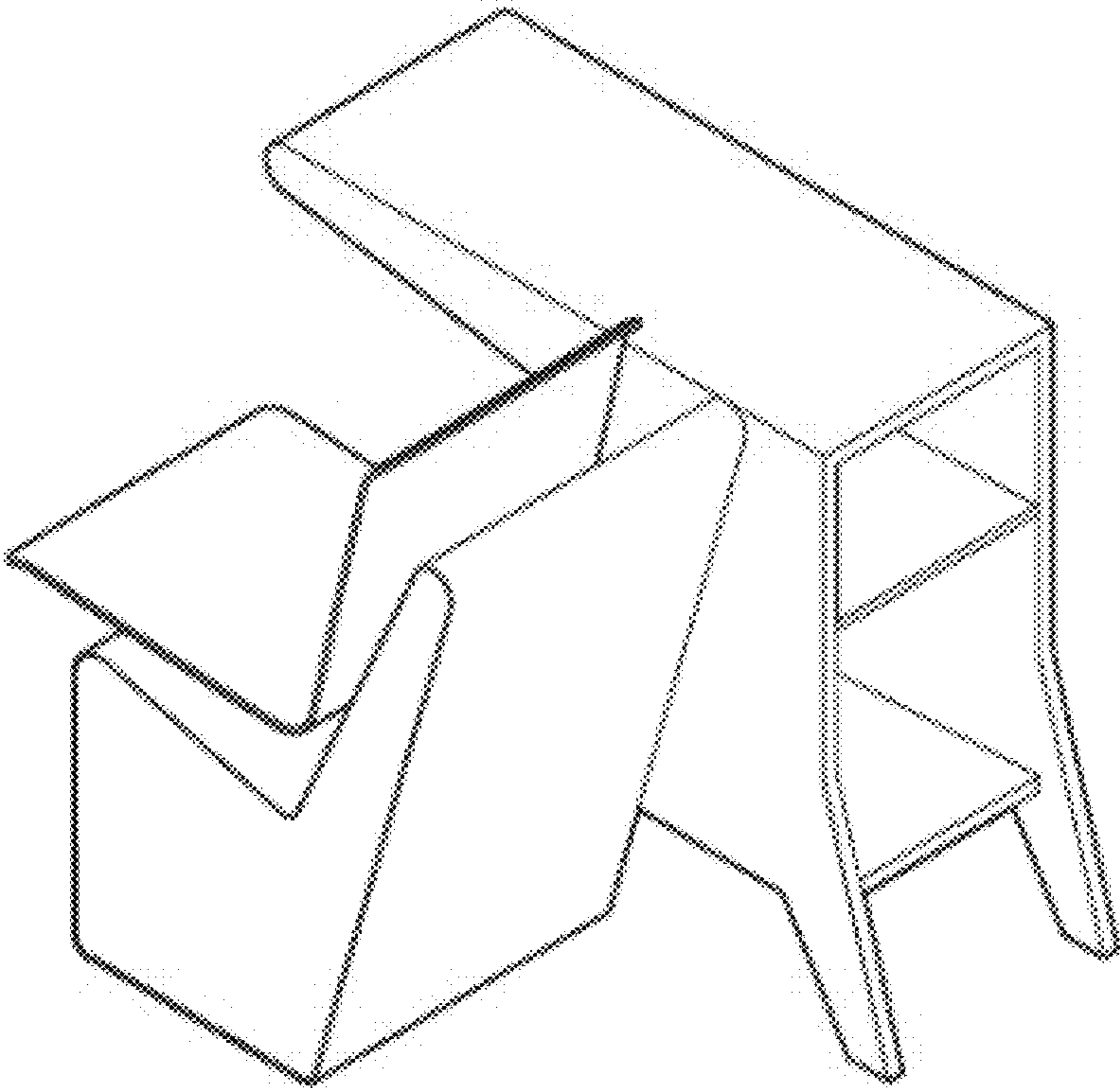


Fig. 1

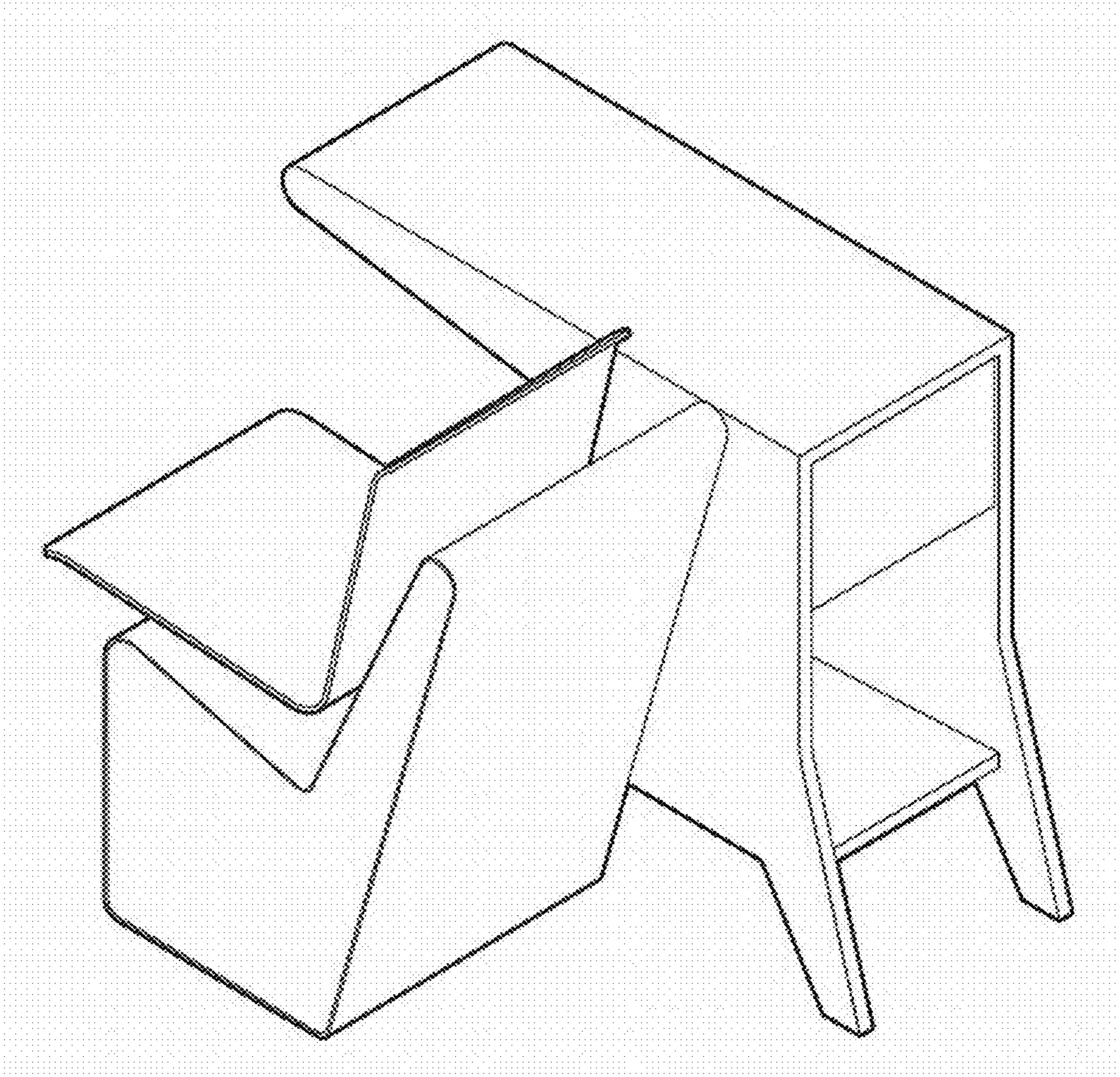


Fig. 2

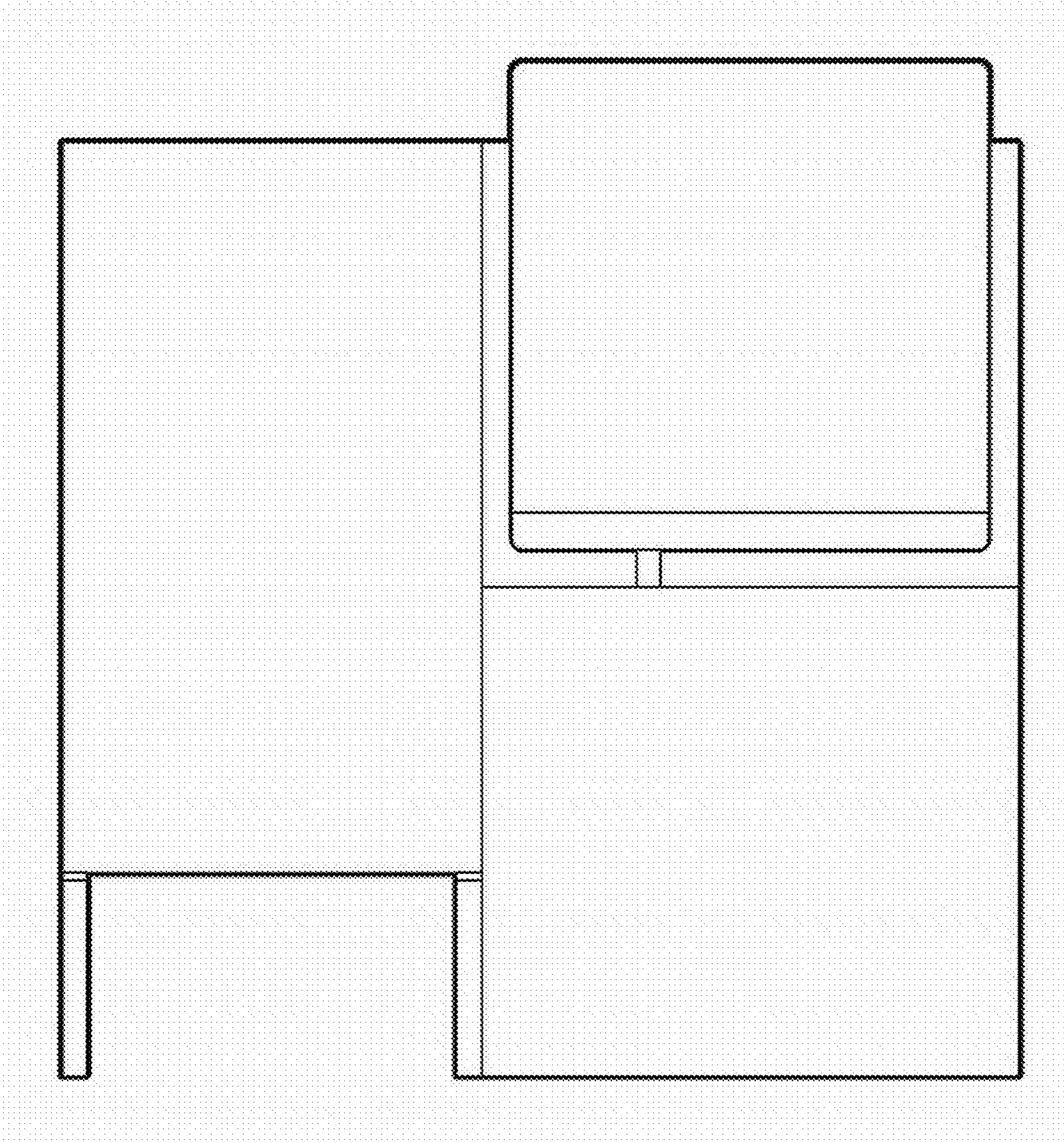


Fig. 3

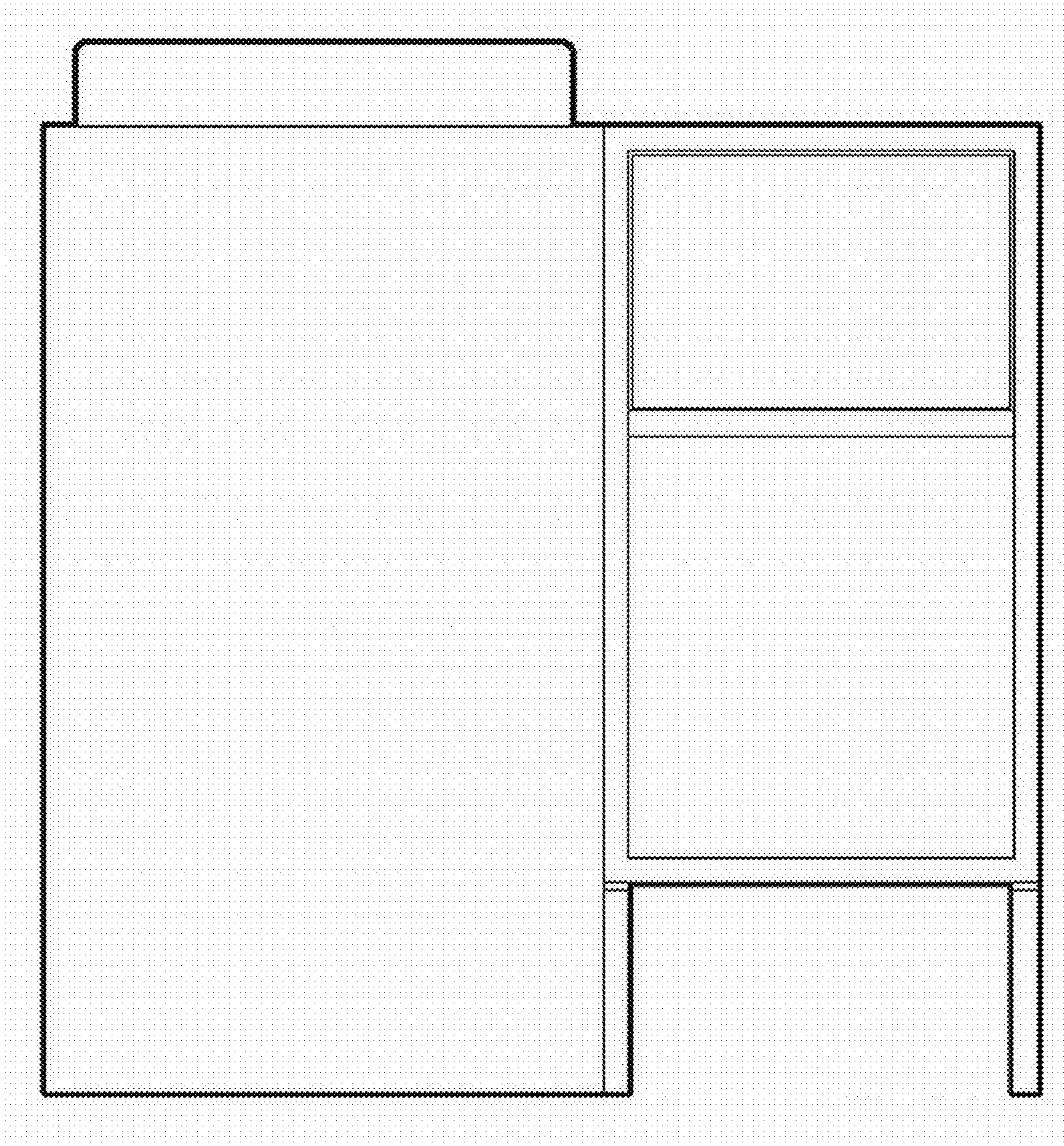


Fig. 4

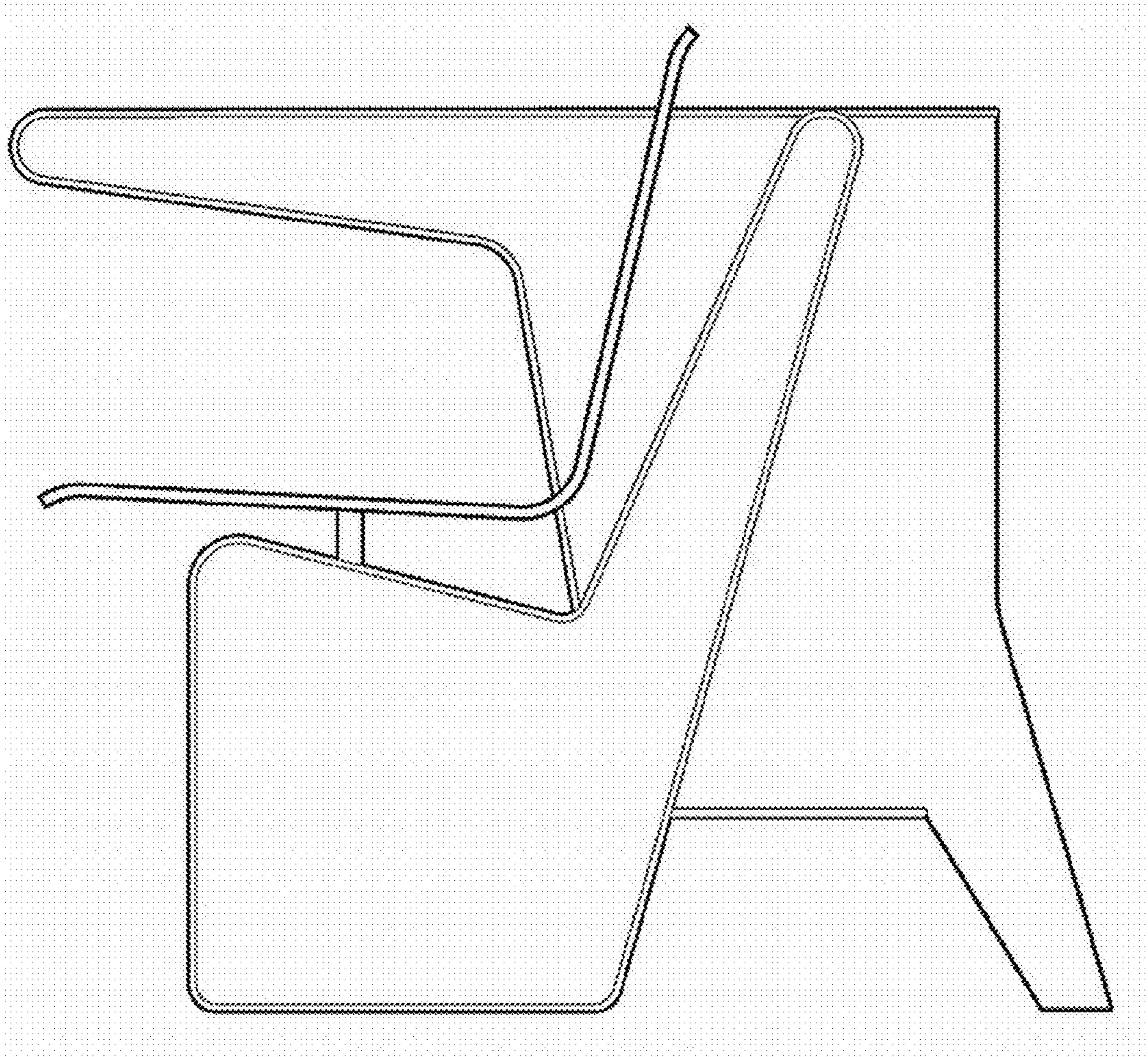


Fig. 5

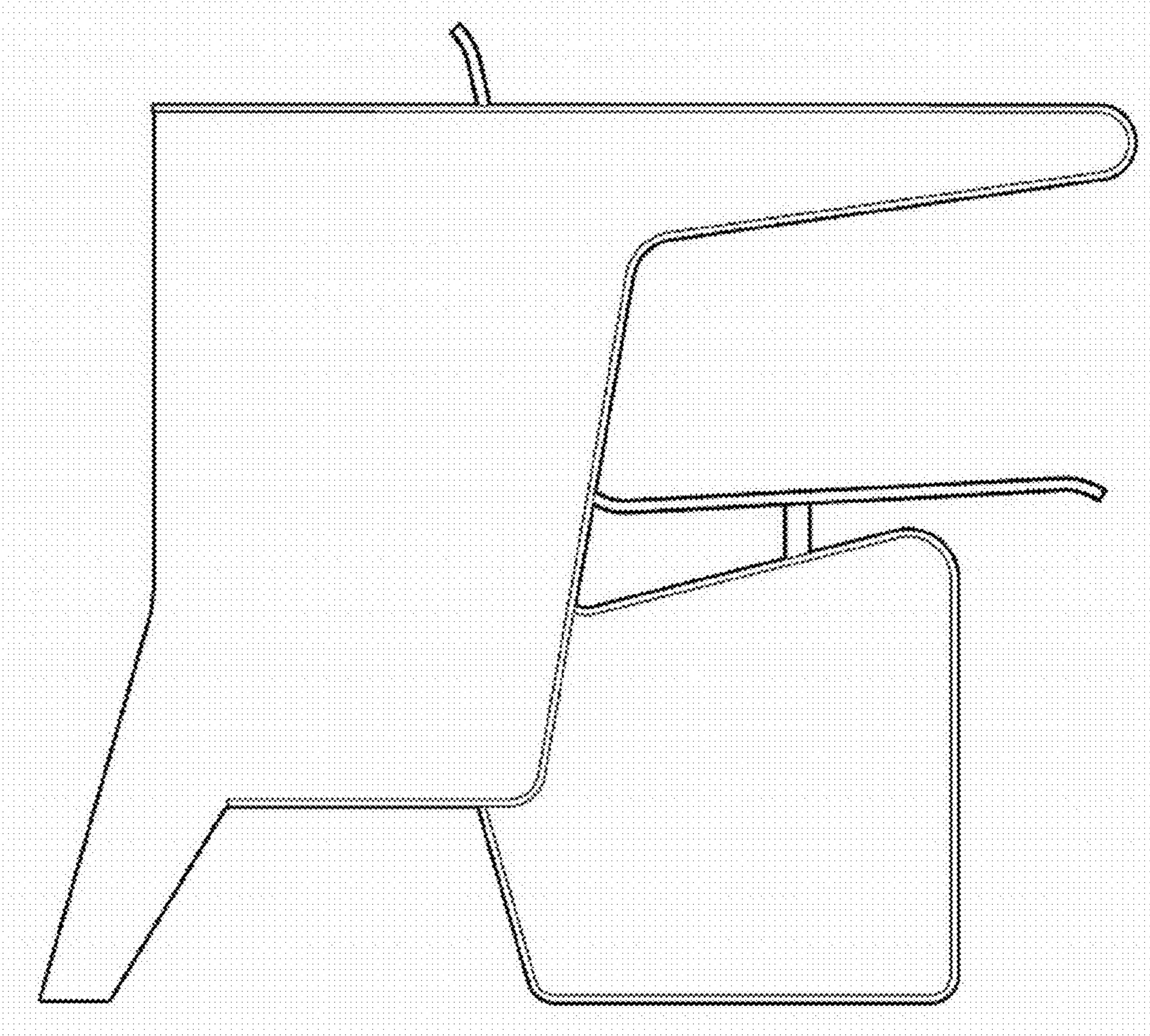


Fig. 6

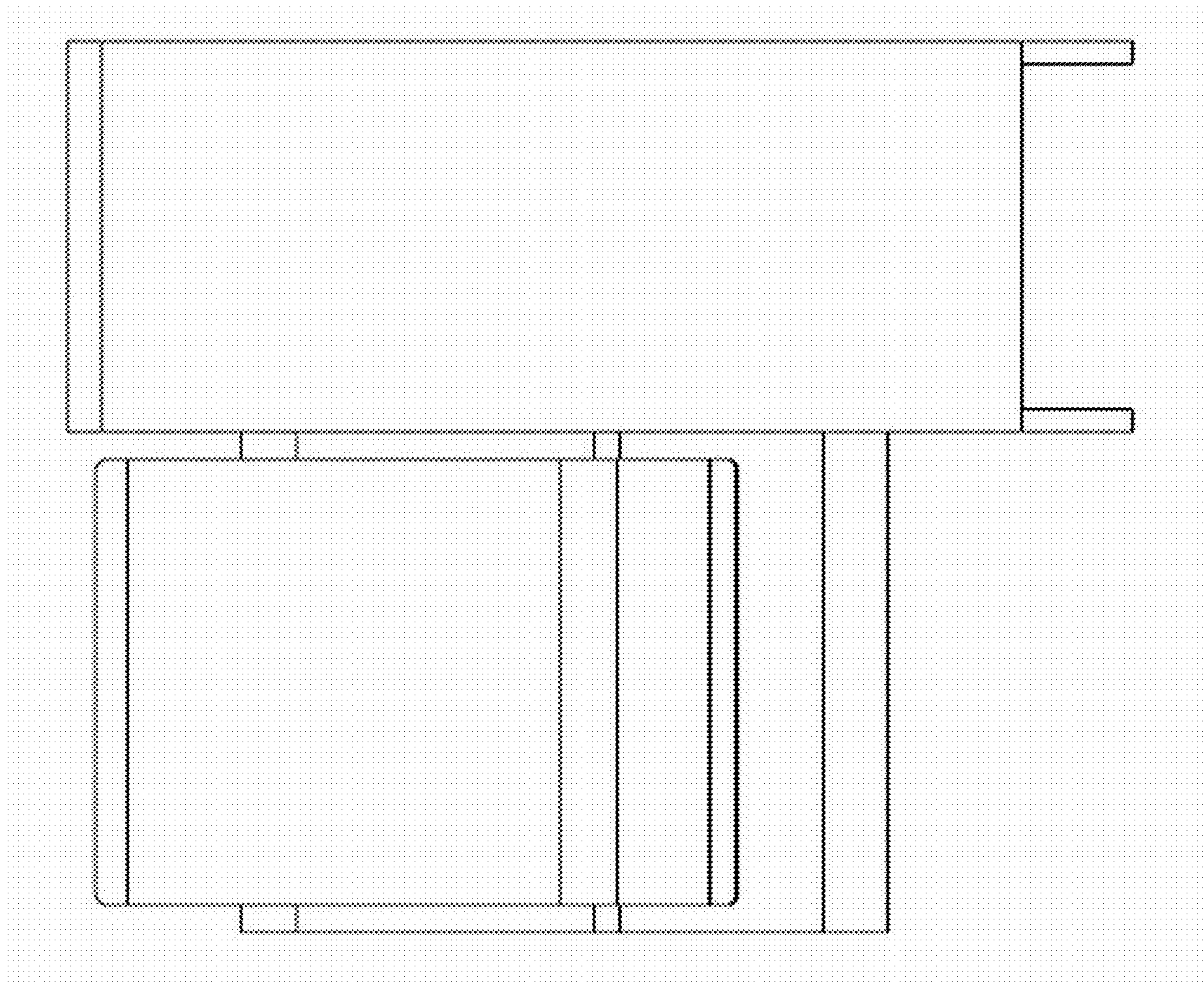


Fig. 7