



US00D701050S

(12) **United States Design Patent**
Yang et al.

(10) **Patent No.:** **US D701,050 S**
(45) **Date of Patent:** **** Mar. 18, 2014**

- (54) **VANITY MIRROR**
- (71) Applicant: **simplehuman, LLC**, Torrance, CA (US)
- (72) Inventors: **Frank Yang**, Rancho Palos Verdes, CA (US); **Tzu-Hao Wei**, Hacienda Heights, CA (US); **Daniel Ballou**, Long Beach, CA (US)
- (73) Assignee: **simplehuman, LLC**, Torrance, CA (US)

7,341,356 B1 3/2008 Zadro
 D574,159 S 8/2008 Howard
 D635,009 S 3/2011 Paterson
 D639,077 S * 6/2011 DeBretton Gordon D6/310
 D647,444 S 10/2011 Manukyan et al.
 D649,790 S 12/2011 Pitot
 D652,220 S 1/2012 Pitot

(Continued)

FOREIGN PATENT DOCUMENTS

CA 147356 4/2013
 CN 302432849 5/2013

(Continued)

OTHER PUBLICATIONS

U.S. Appl. No. 29/415,283, filed Mar. 8, 2012, Yang, et al.

(Continued)

- (**) Term: **14 Years**
- (21) Appl. No.: **29/447,287**
- (22) Filed: **Mar. 1, 2013**
- (51) **LOC (10) Cl.** **06-07**
- (52) **U.S. Cl.**
USPC **D6/309**
- (58) **Field of Classification Search**
USPC D6/300-314, 444; 40/700, 711, 719,
40/714-716, 720-722, 735, 738, 597, 744,
40/745, 754, 765, 768, 769, 790, 798;
D20/29-32; 248/466-467; D11/131,
D11/133-135; 359/838, 871-872; D8/352
See application file for complete search history.

Primary Examiner — Cathron Brooks
Assistant Examiner — Sydney R Buffalow
 (74) *Attorney, Agent, or Firm* — Knobbe, Martens, Olson & Bear, LLP

(57) **CLAIM**
 The ornamental design for a vanity mirror, as shown and described.

(56) **References Cited**

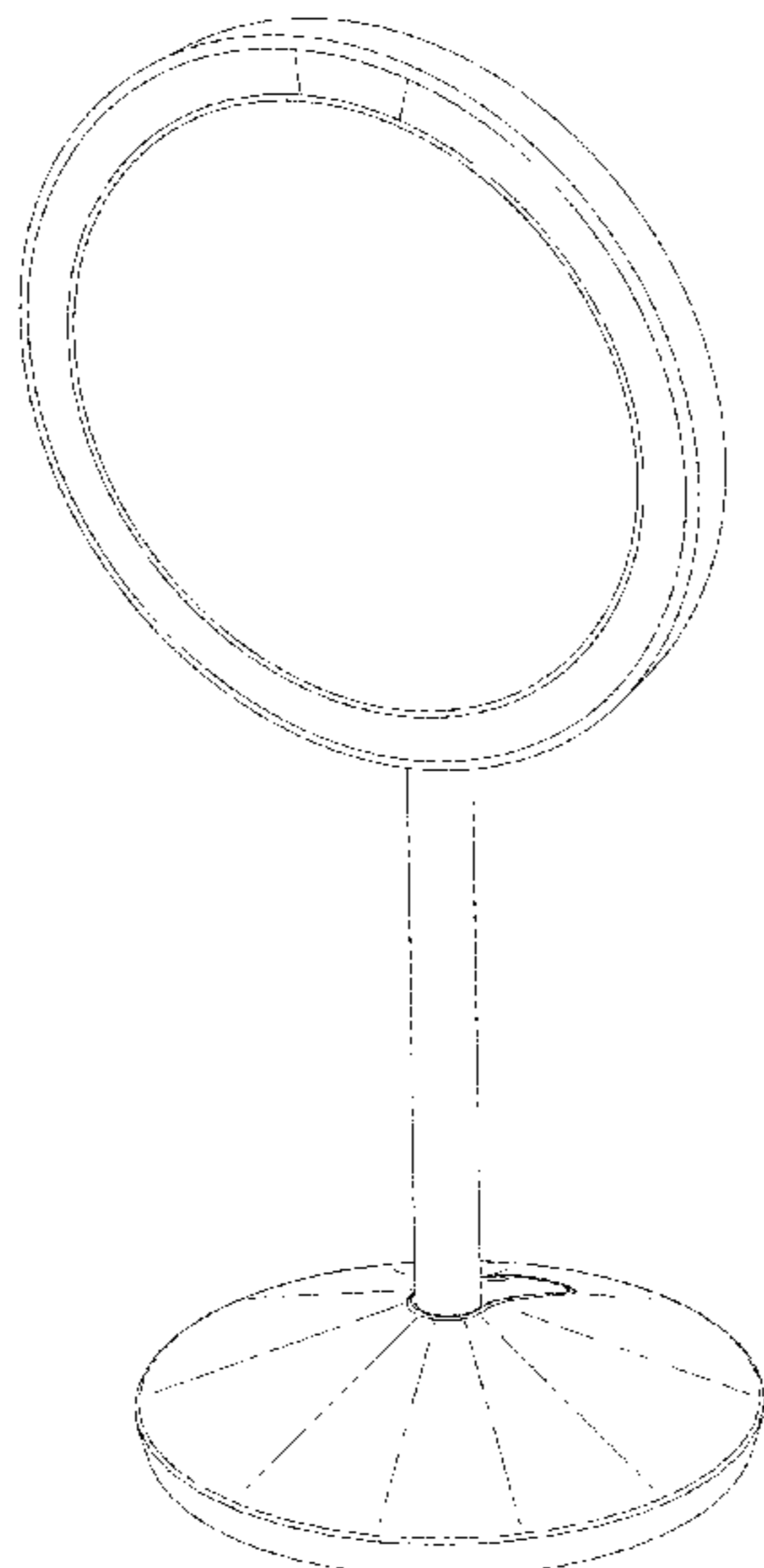
U.S. PATENT DOCUMENTS

D208,234 S 8/1967 Ely
 D309,833 S 8/1990 Wahl
 D379,125 S * 5/1997 Simjian D6/309
 D425,313 S 5/2000 Zadro
 D431,375 S 10/2000 Zadro
 6,158,877 A 12/2000 Zadro
 6,241,357 B1 6/2001 Lee
 6,305,809 B1 10/2001 Zadro
 D509,369 S 9/2005 Snell
 D511,413 S * 11/2005 Yue D6/300
 7,090,378 B1 8/2006 Zadro
 D532,981 S 12/2006 Zadro

DESCRIPTION

FIG. 1 is a top, front, left-side perspective view of a vanity mirror embodying our design;
 FIG. 2 is a front elevation view thereof;
 FIG. 3 is a rear elevation view thereof;
 FIG. 4 is a left-side elevation view thereof, the right-side elevation view being a mirror image of the left-side elevation view;
 FIG. 5 is a top plan view thereof; and,
 FIG. 6 is a bottom plan view thereof.

1 Claim, 6 Drawing Sheets



(56)

References Cited

U.S. PATENT DOCUMENTS

D656,979 S 4/2012 Yip et al.
D657,425 S 4/2012 Podd
D657,576 S 4/2012 Pitot
8,162,502 B1 4/2012 Zadro
D658,604 S 5/2012 Egawa et al.
D660,367 S 5/2012 Podd
D660,368 S 5/2012 Podd
D660,369 S 5/2012 Podd
D665,030 S 8/2012 Podd
D666,010 S 8/2012 Farley
D679,102 S 4/2013 Gilboe et al.
2008/0298080 A1 12/2008 Wu et al.
2013/0235607 A1 9/2013 Yang et al.
2013/0235610 A1 9/2013 Yang et al.

FOREIGN PATENT DOCUMENTS

DE 102004042929 A1 3/2006
DE 202010000170 U1 7/2010
EP 2636336 A1 9/2013

OTHER PUBLICATIONS

U.S. Appl. No. 13/783,109, filed Mar. 1, 2013, Yang, et al.

U.S. Appl. No. 13/783,087, filed Mar. 1, 2013, Yang, et al.

U.S. Appl. No. 29/447,341, filed Mar. 1, 2013, Yang, et al.

* cited by examiner

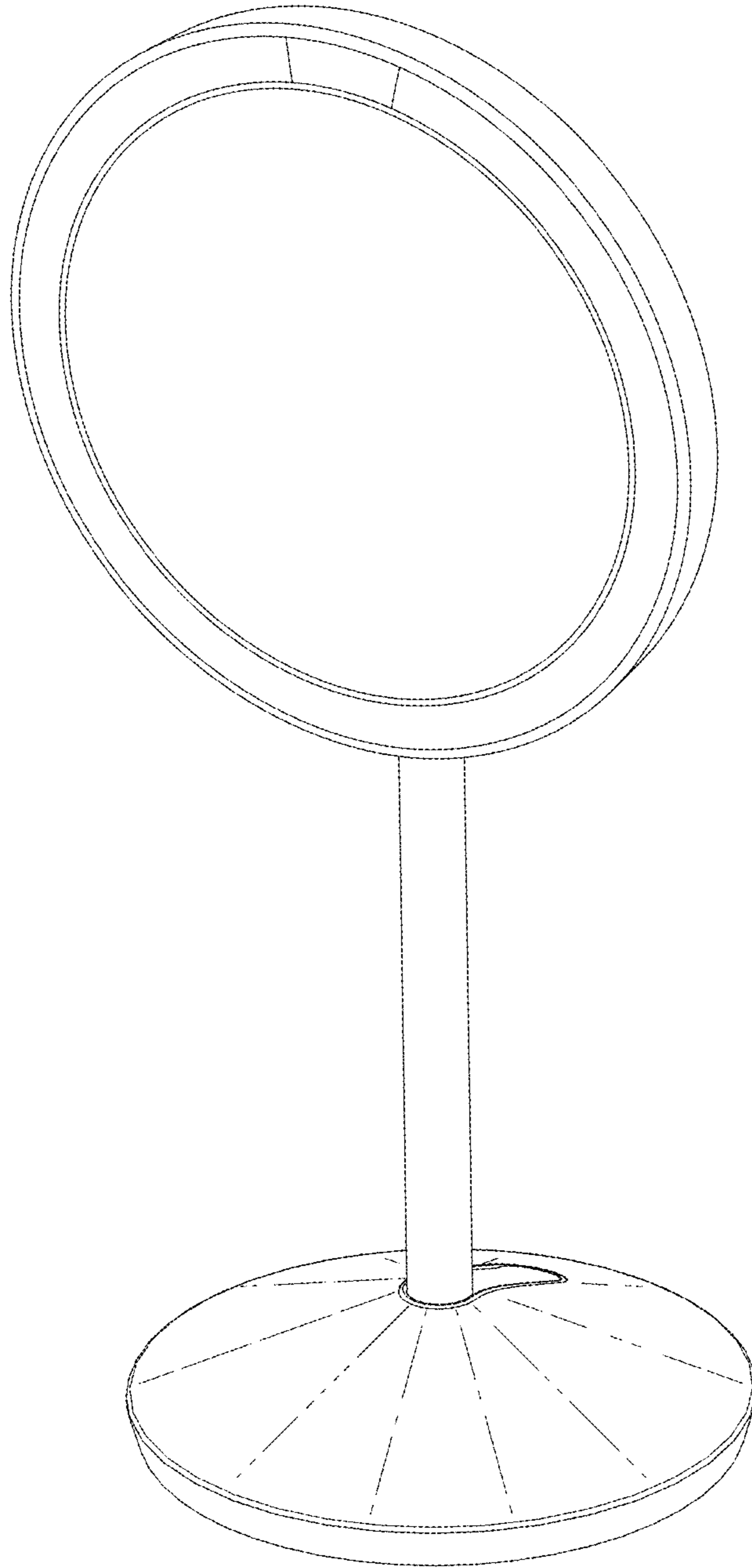


FIG. 1

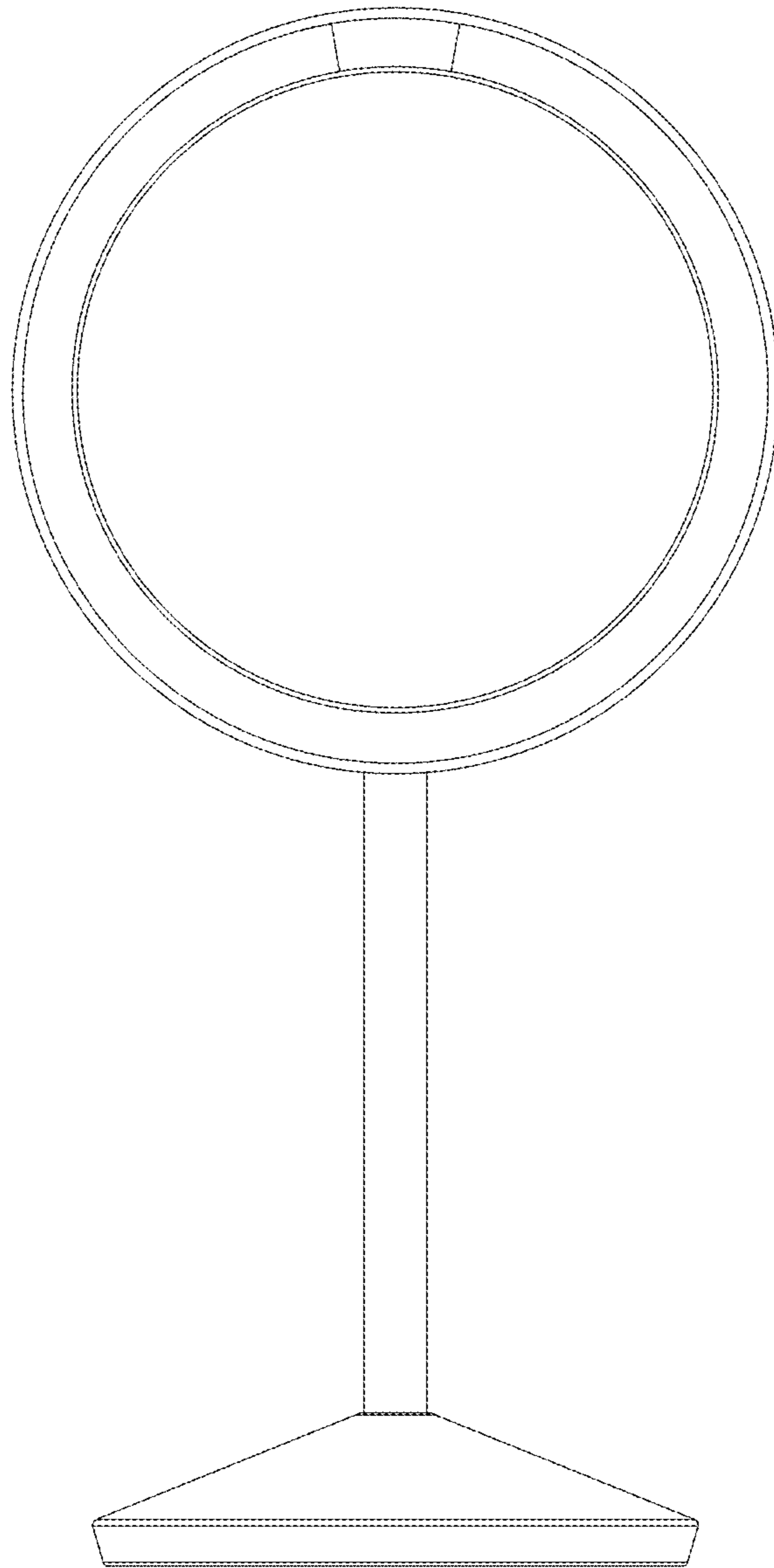


FIG. 2

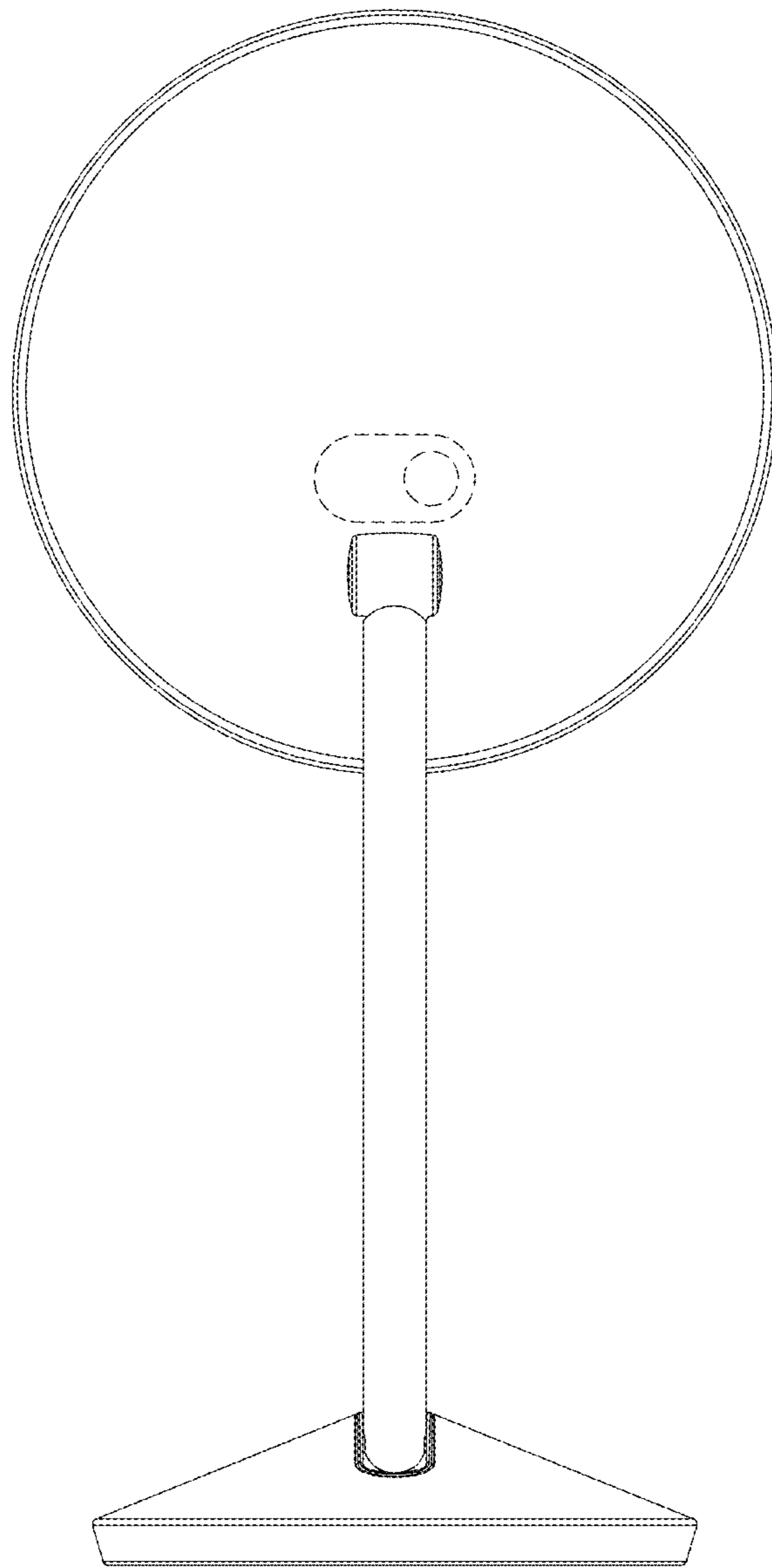


FIG. 3

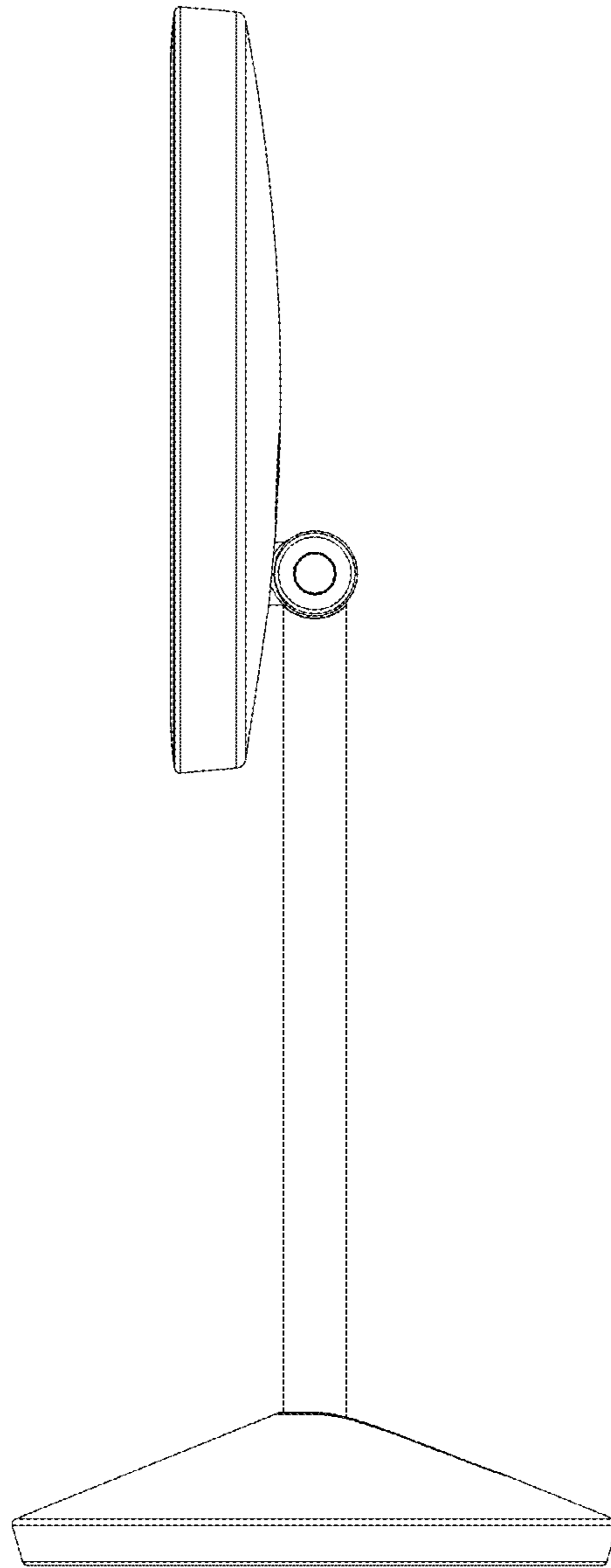


FIG. 4

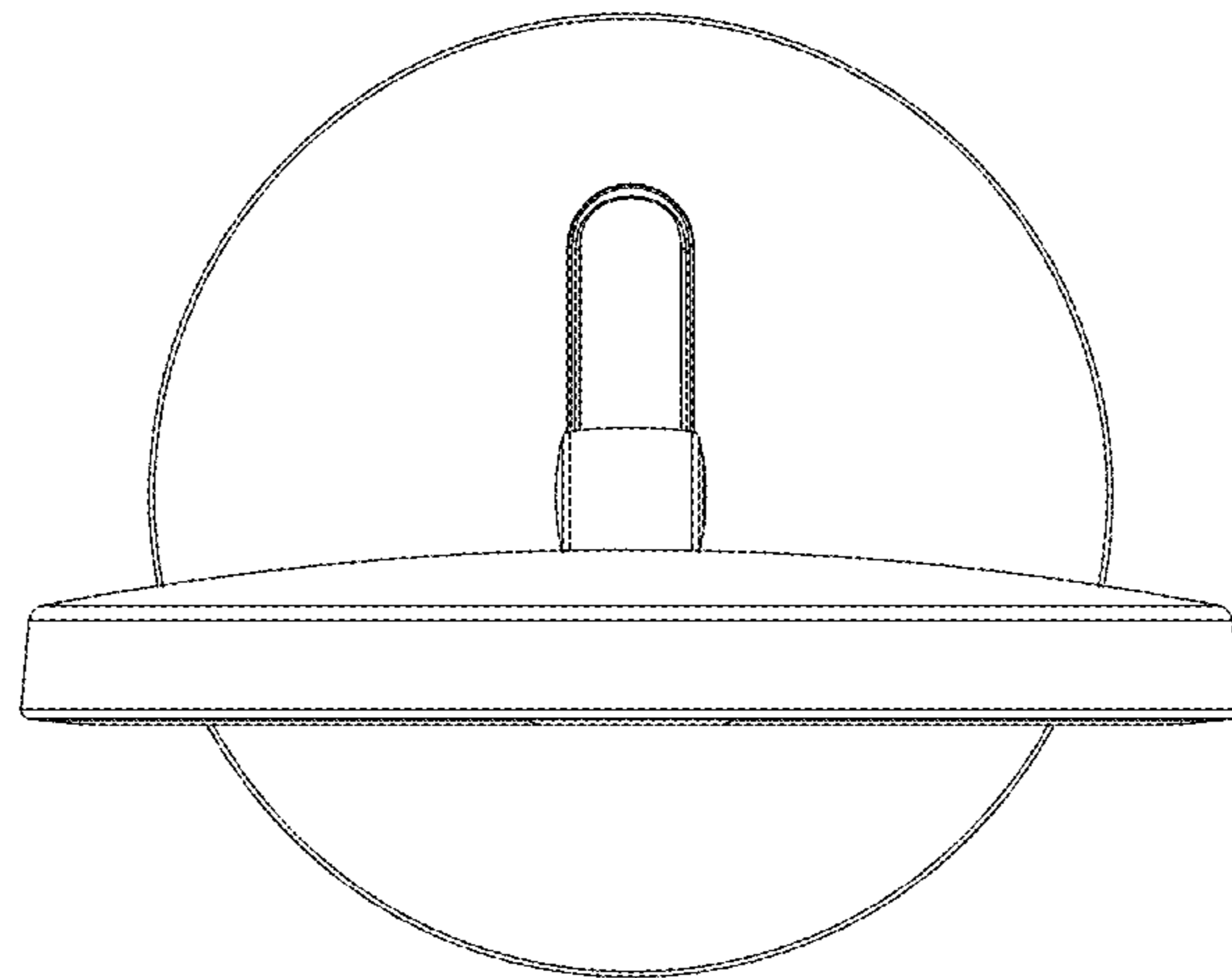


FIG. 5

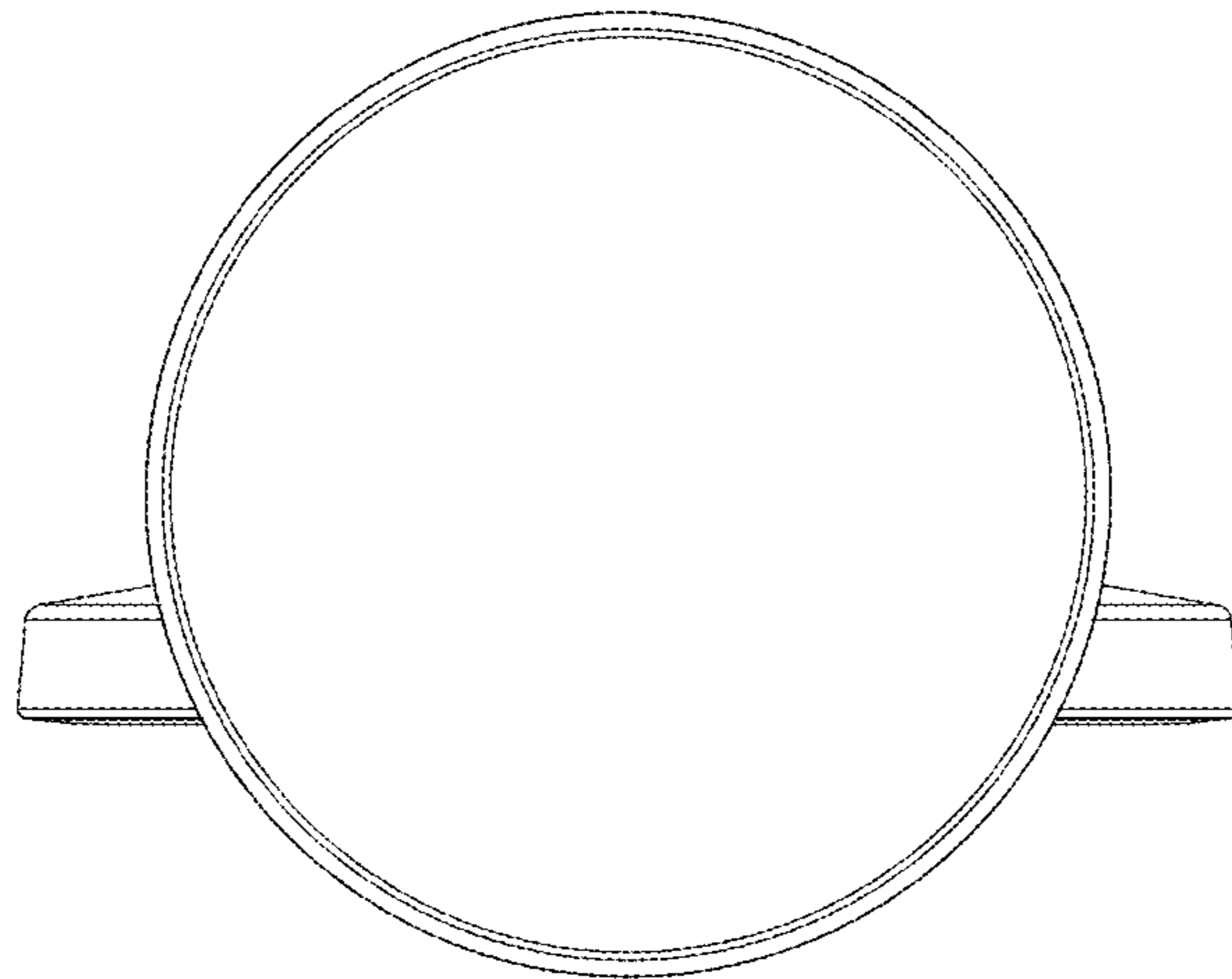


FIG. 6