



US00D701044S

(12) **United States Design Patent**
Kishimoto

(10) **Patent No.:** **US D701,044 S**
(45) **Date of Patent:** **** Mar. 18, 2014**

(54) **STORAGE CONTAINER**

(75) Inventor: **Ryo Kishimoto**, Kakuda (JP)
(73) Assignee: **Iris Ohyama Inc.**, Miyagi-ken (JP)
(**) Term: **14 Years**

(21) Appl. No.: **29/407,462**

(22) Filed: **Nov. 29, 2011**

(51) **LOC (10) Cl.** **03-01**

(52) **U.S. Cl.**
USPC **D3/272; D3/273; D3/302**

(58) **Field of Classification Search**
USPC **D3/272, 273, 276, 302; 206/503,**
206/508-512; 220/4.27
See application file for complete search history.

(56) **References Cited**

U.S. PATENT DOCUMENTS

553,561 A 1/1896 Lundholm
2,364,705 A 12/1944 Geraldts

(Continued)

Primary Examiner — Jennifer Rivard

(74) *Attorney, Agent, or Firm* — Foley & Lardner LLP

(57) **CLAIM**

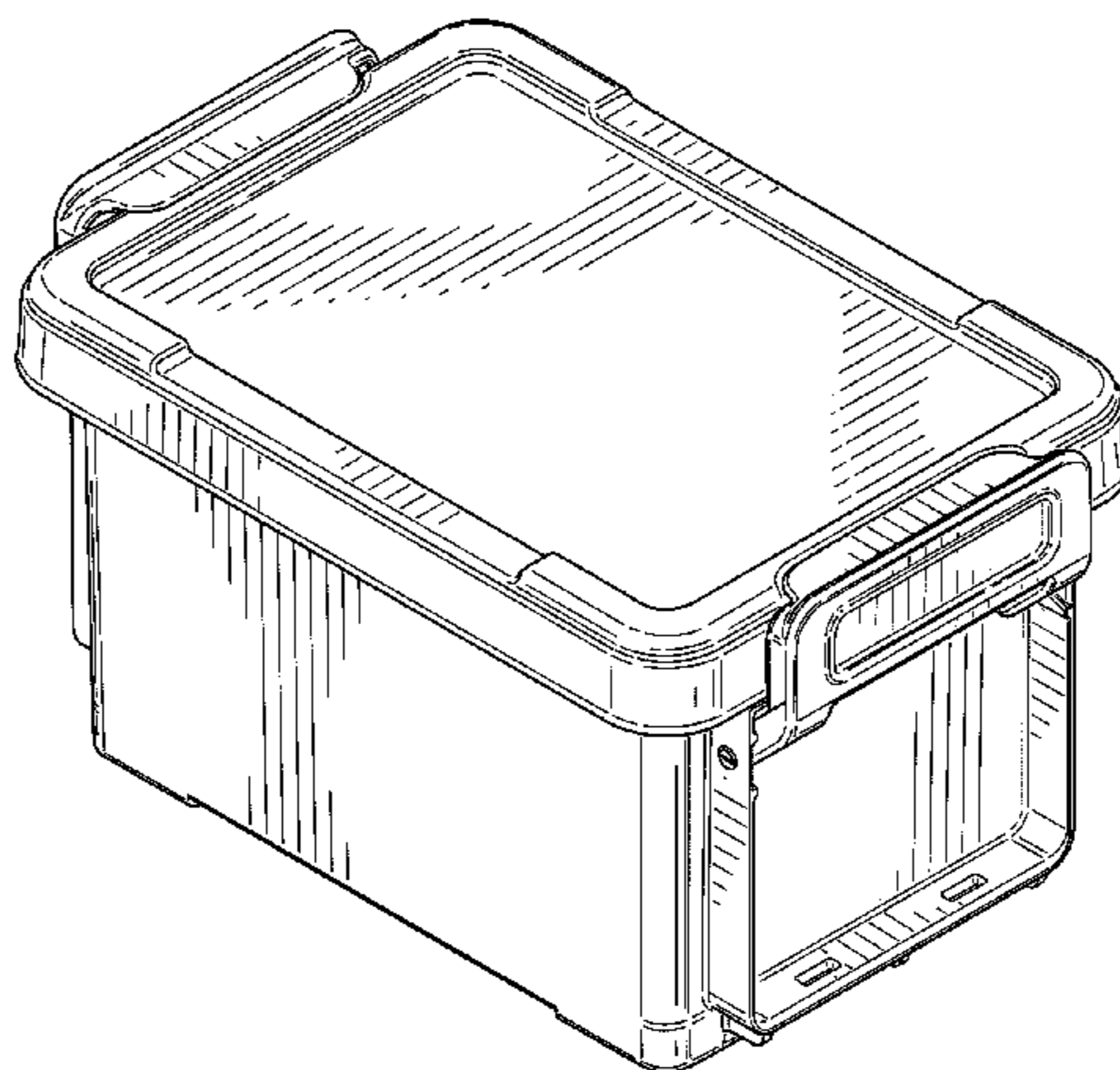
I claim the ornamental design for a storage container, as shown and described.

DESCRIPTION

FIG. 1 is a top, rear, left side perspective view of the first embodiment of the claimed design;
FIG. 2 is a right-side elevation view of the claimed design of FIG. 1;
FIG. 3 is a front elevation view of the claimed design of FIG. 1;
FIG. 4 is a top plan view of the claimed design of FIG. 1;
FIG. 5 is a bottom plan view of the claimed design of FIG. 1;
FIG. 6 is a top, rear, left side perspective view of the second embodiment of the claimed design;

FIG. 7 is a right-side elevation view of the claimed design of FIG. 6;
FIG. 8 is a front elevation view of the claimed design of FIG. 6;
FIG. 9 is a cross-sectional view taken along line 9-9 in FIG. 7
FIG. 10 is a cross-sectional view taken along line 10-10 in FIG. 7
FIG. 11 is a top, rear, left side perspective view of the third embodiment of the claimed design;
FIG. 12 is a right-side elevation view of the claimed design of FIG. 11;
FIG. 13 is a front elevation view of the claimed design of FIG. 11;
FIG. 14 is a top plan view of the claimed design of FIG. 11;
FIG. 15 is a bottom plan view of the claimed design of FIG. 11;
FIG. 16 is a top, rear, left side perspective view of the fourth embodiment of the claimed design;
FIG. 17 is a right-side elevation view of the claimed design of FIG. 16;
FIG. 18 is a front elevation view of the claimed design of FIG. 16;
FIG. 19 is a top, rear, left side perspective view of the fifth embodiment of the claimed design;
FIG. 20 is a right-side elevation view of the claimed design of FIG. 19;
FIG. 21 is a front elevation view of the claimed design of FIG. 19;
FIG. 22 is a top plan view of the claimed design of FIG. 19;
FIG. 23 is a bottom plan view of the claimed design of FIG. 19;
FIG. 24 is a top, rear, left side perspective view of the sixth embodiment of the claimed design;
FIG. 25 is a right-side elevation view of the claimed design of FIG. 24;
FIG. 26 is a front elevation view of the claimed design of FIG. 24;
FIG. 27 is a cross-sectional view taken along line 27-27 in FIG. 25; and,
FIG. 28 is a cross-sectional view taken along line 28-28 in FIG. 25.
The ornamental design which is claimed is shown in solid lines in the drawings.

1 Claim, 25 Drawing Sheets



(56)

References Cited

U.S. PATENT DOCUMENTS

3,749,273	A	7/1973	Wreghitt et al.				
4,760,921	A	8/1988	Licari				
4,960,149	A	10/1990	Rizzitiello				
5,002,546	A	3/1991	Romano				
5,123,537	A	6/1992	Gresens				
5,285,900	A *	2/1994	Swingler	206/508		
5,695,087	A *	12/1997	Tutton et al.	220/324		
5,699,925	A *	12/1997	Petruzzi	220/4.27		
6,082,539	A	7/2000	Lee				
6,273,258	B1	8/2001	Piacenza				
D452,374	S *	12/2001	Kim	D3/302		
6,644,494	B2 *	11/2003	Hayes et al.	220/839		
D487,970	S	4/2004	Meier et al.				
6,874,634	B2	4/2005	Riley				
6,889,838	B2	5/2005	Meier et al.				
D513,870	S *	1/2006	Rosine et al.	D3/273		
D513,871	S *	1/2006	Rosine et al.	D3/273		
7,464,831	B2 *	12/2008	Aiken	220/801		
D593,324	S *	6/2009	Simas	D3/302		
D643,628	S *	8/2011	Monarch	D3/302		
D645,248	S *	9/2011	Osiecki et al.	D3/276		
D648,535	S *	11/2011	Reinhart et al.	D3/302		
D650,174	S *	12/2011	Ahlstrom	D3/302		
D653,450	S *	2/2012	Walter	D3/302		
D657,143	S *	4/2012	Jowett	D3/272		
2003/0052125	A1 *	3/2003	Hayes et al.	220/4.23		
2009/0223853	A1	9/2009	Kim				
2009/0236255	A1	9/2009	Piacenza et al.				
2011/0158761	A1 *	6/2011	Jackson et al.	410/96		
2012/0012493	A1 *	1/2012	Cleveland et al.	206/508		

* cited by examiner

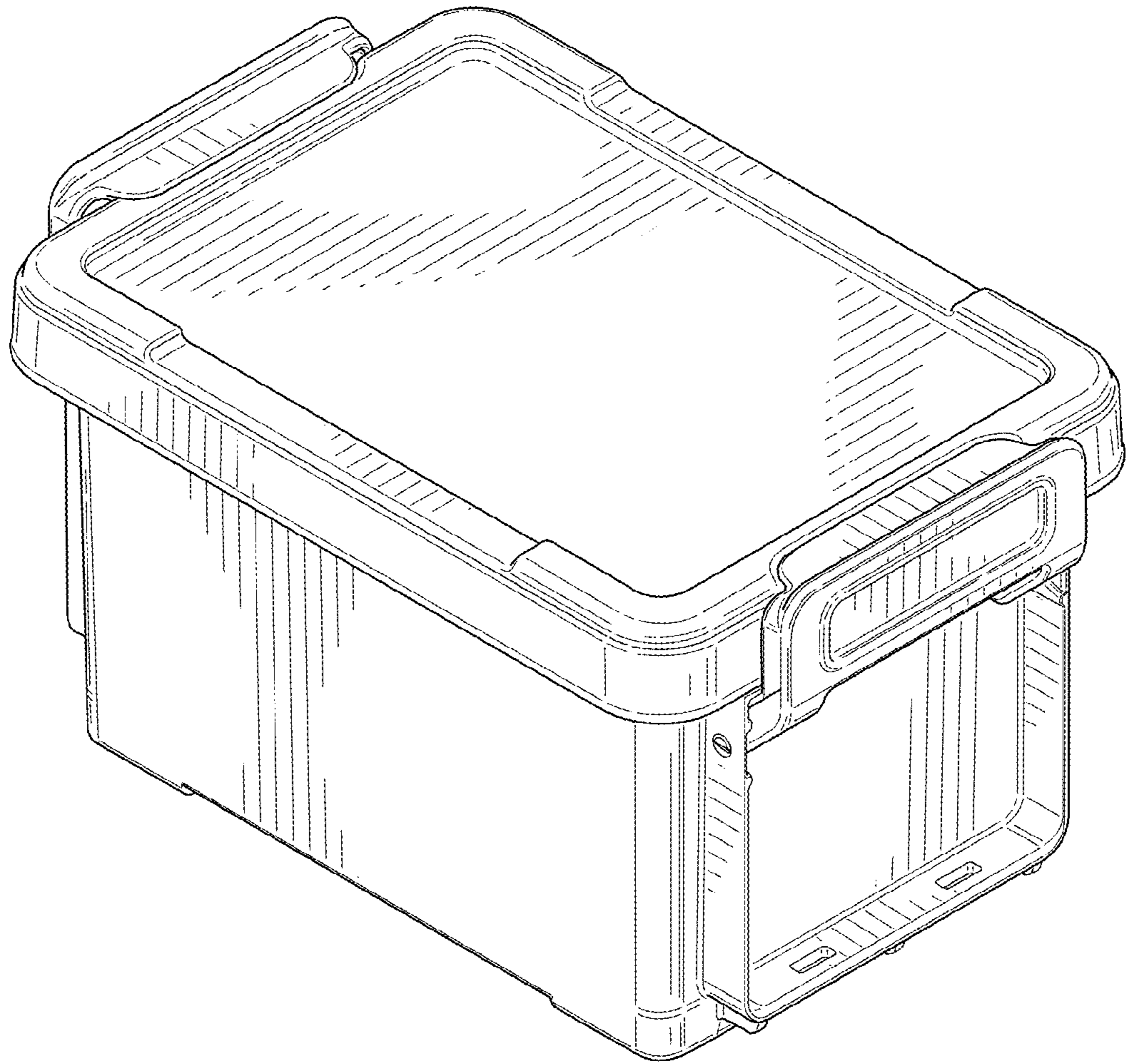


FIG. 1

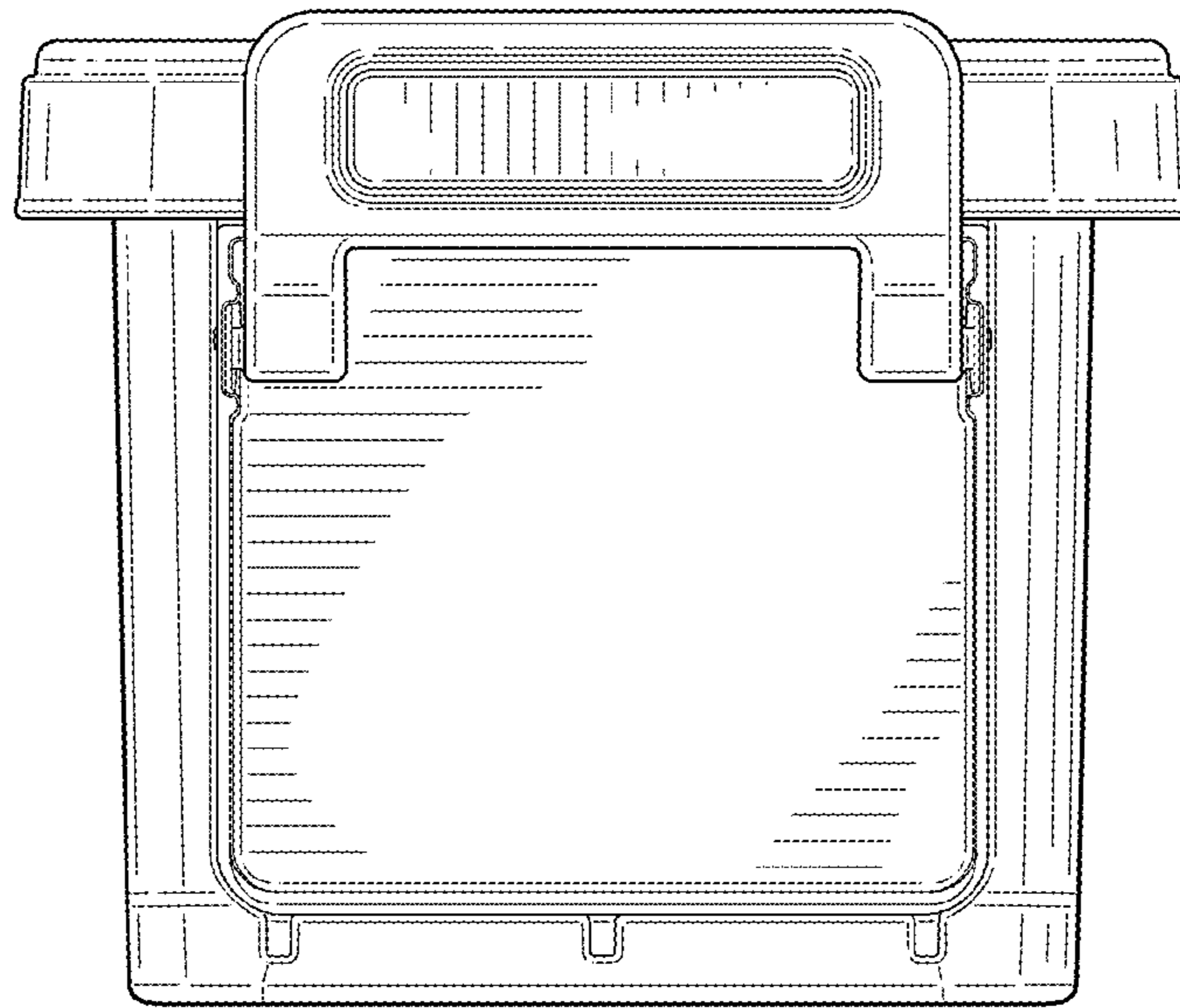


FIG. 2

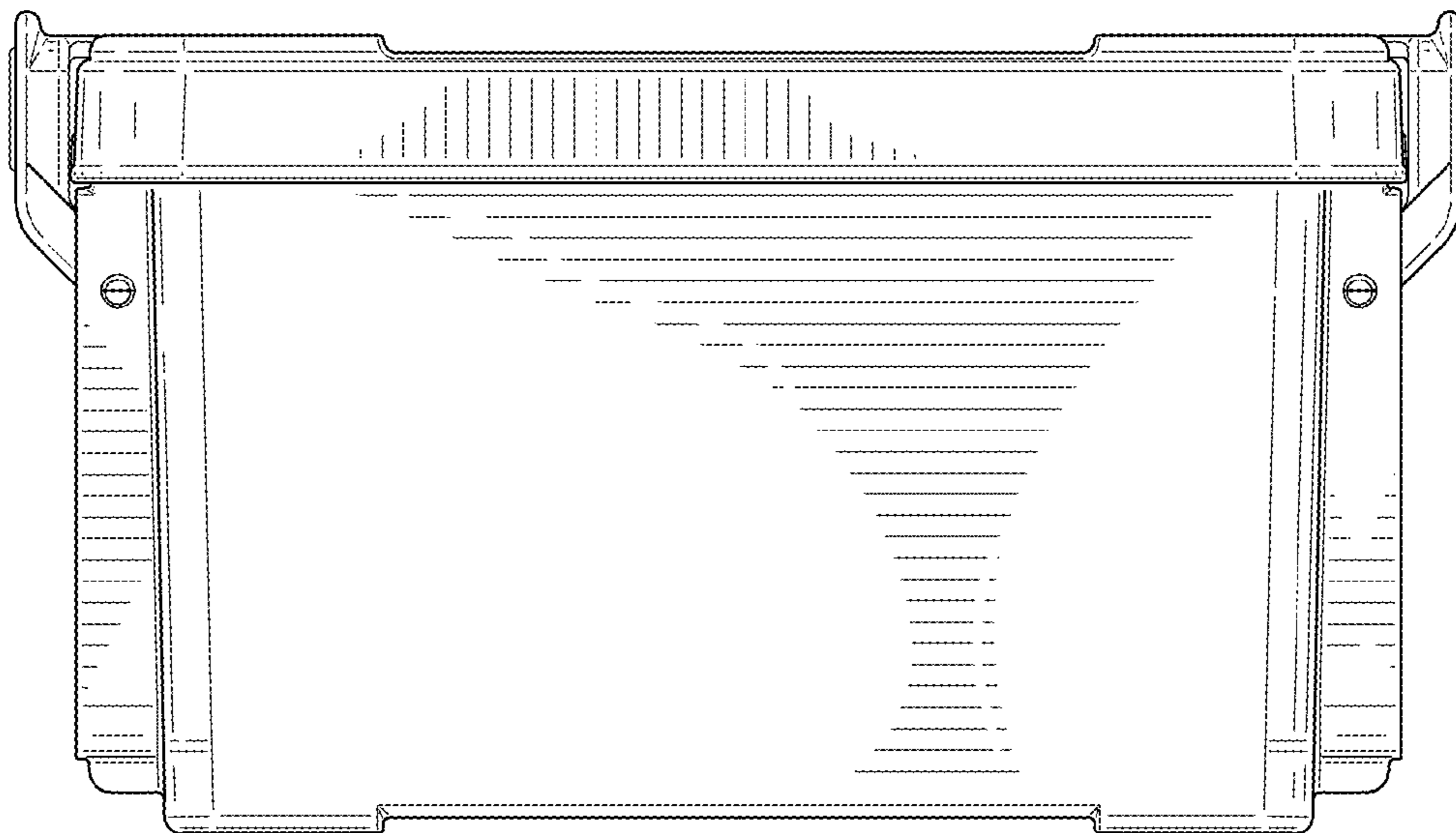


FIG. 3

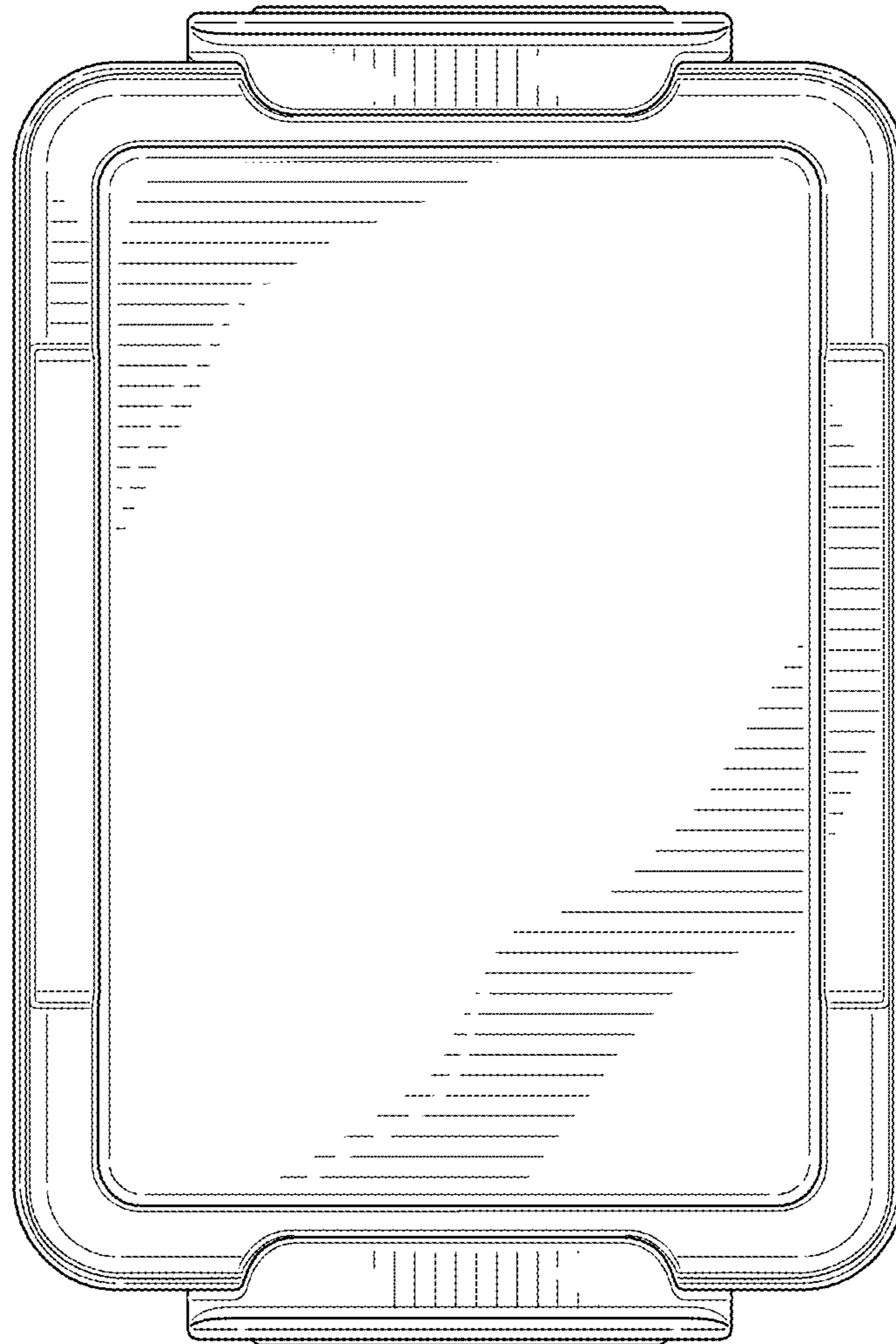


FIG. 4

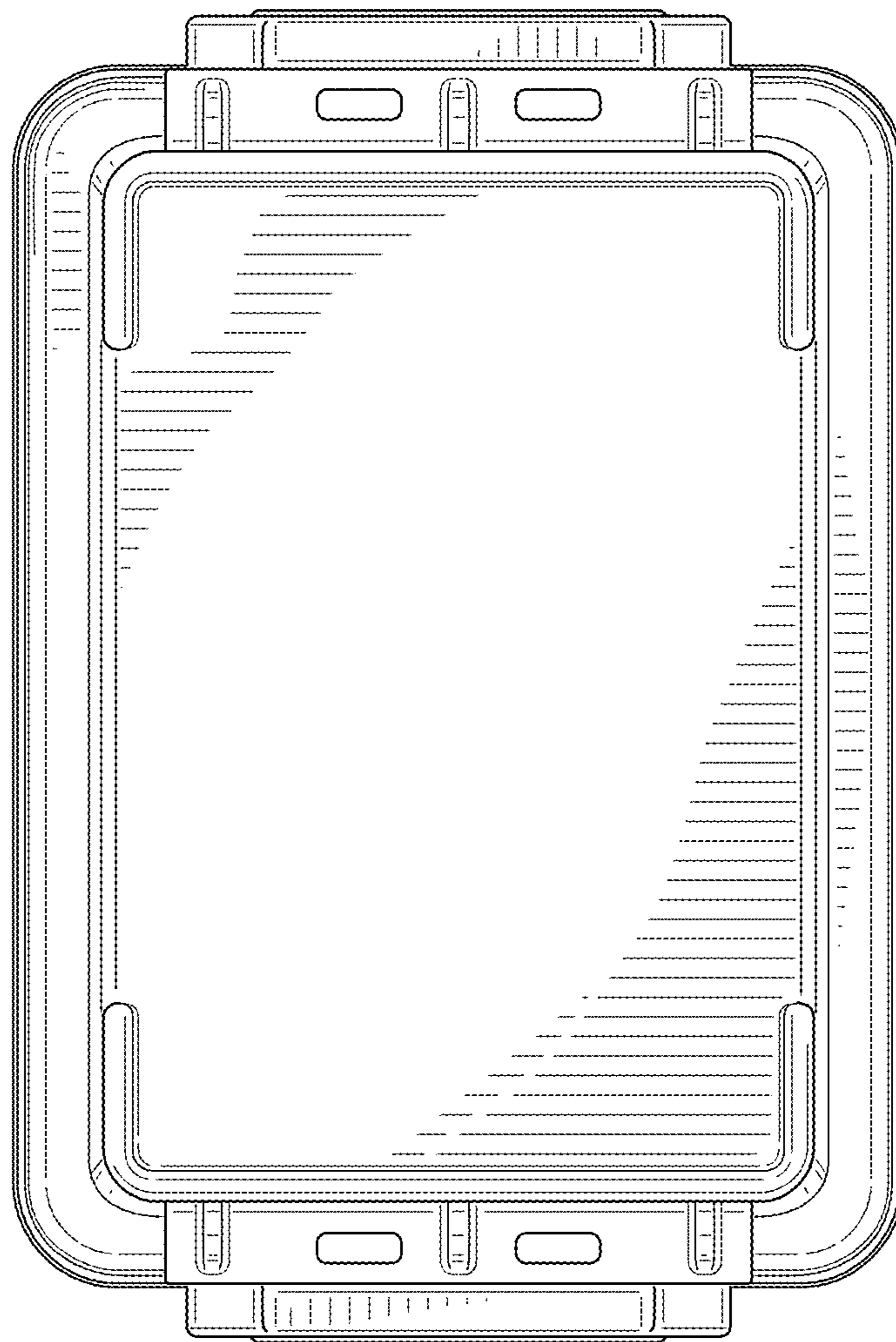


FIG. 5

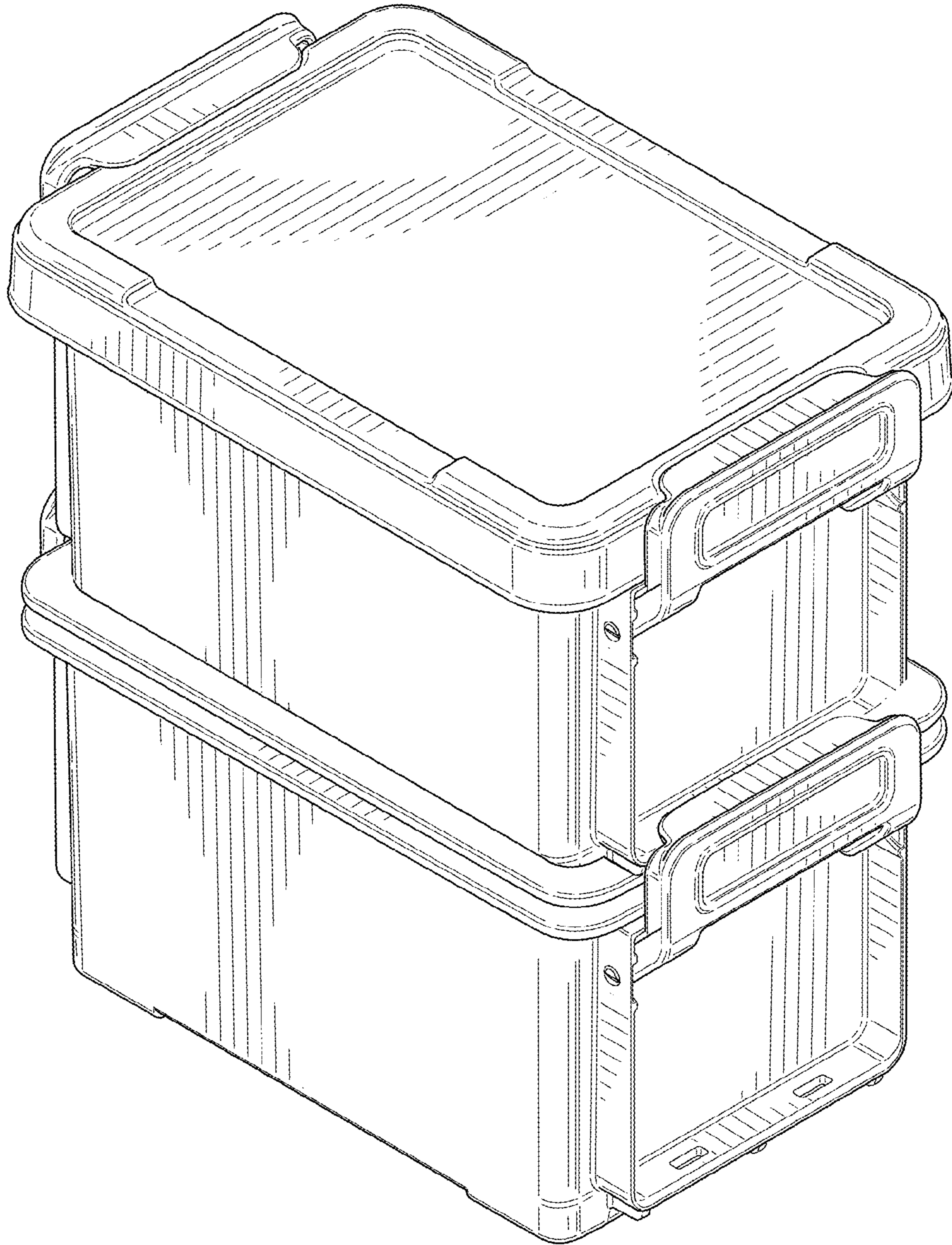


FIG. 6

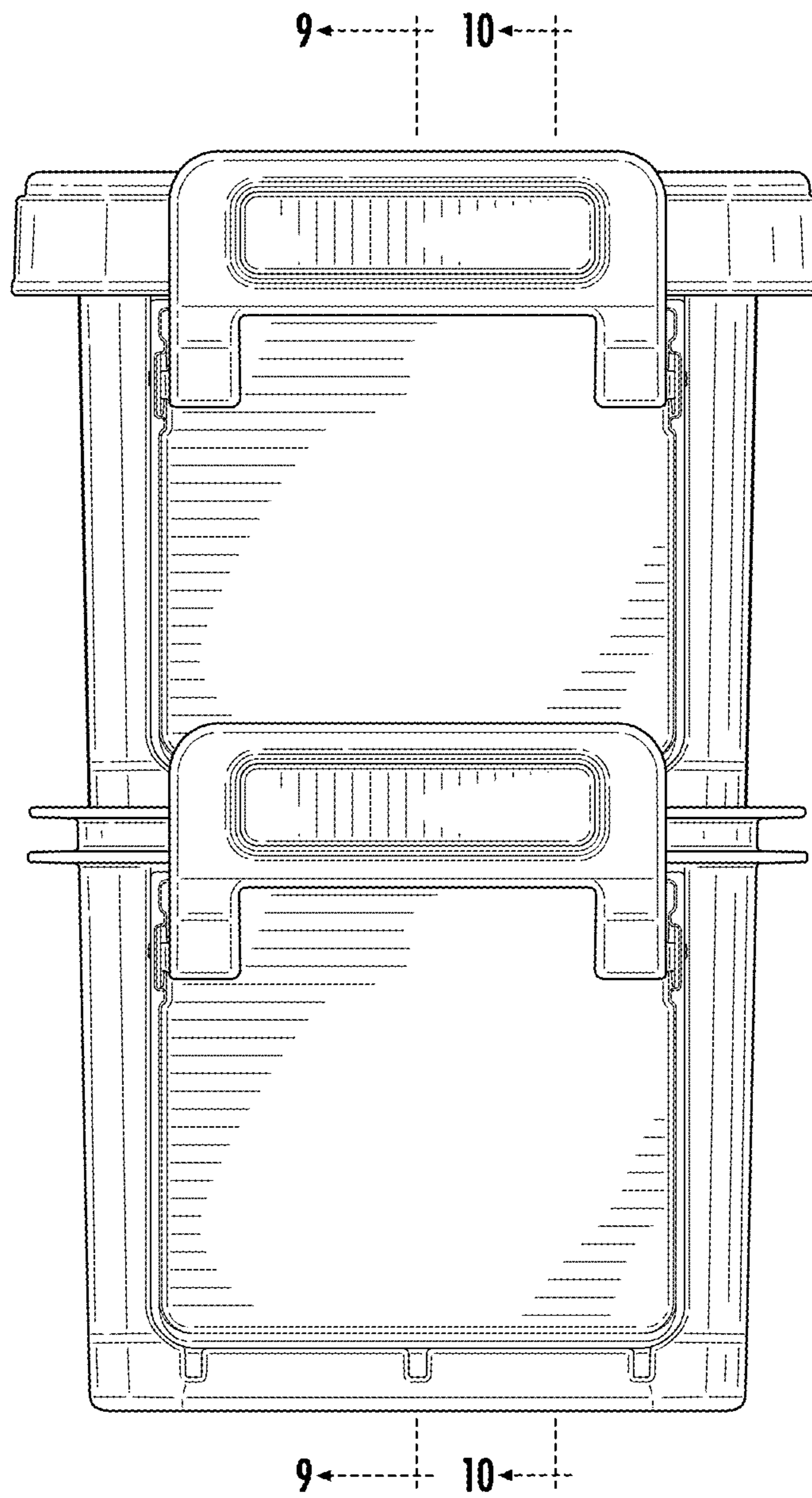


FIG. 7

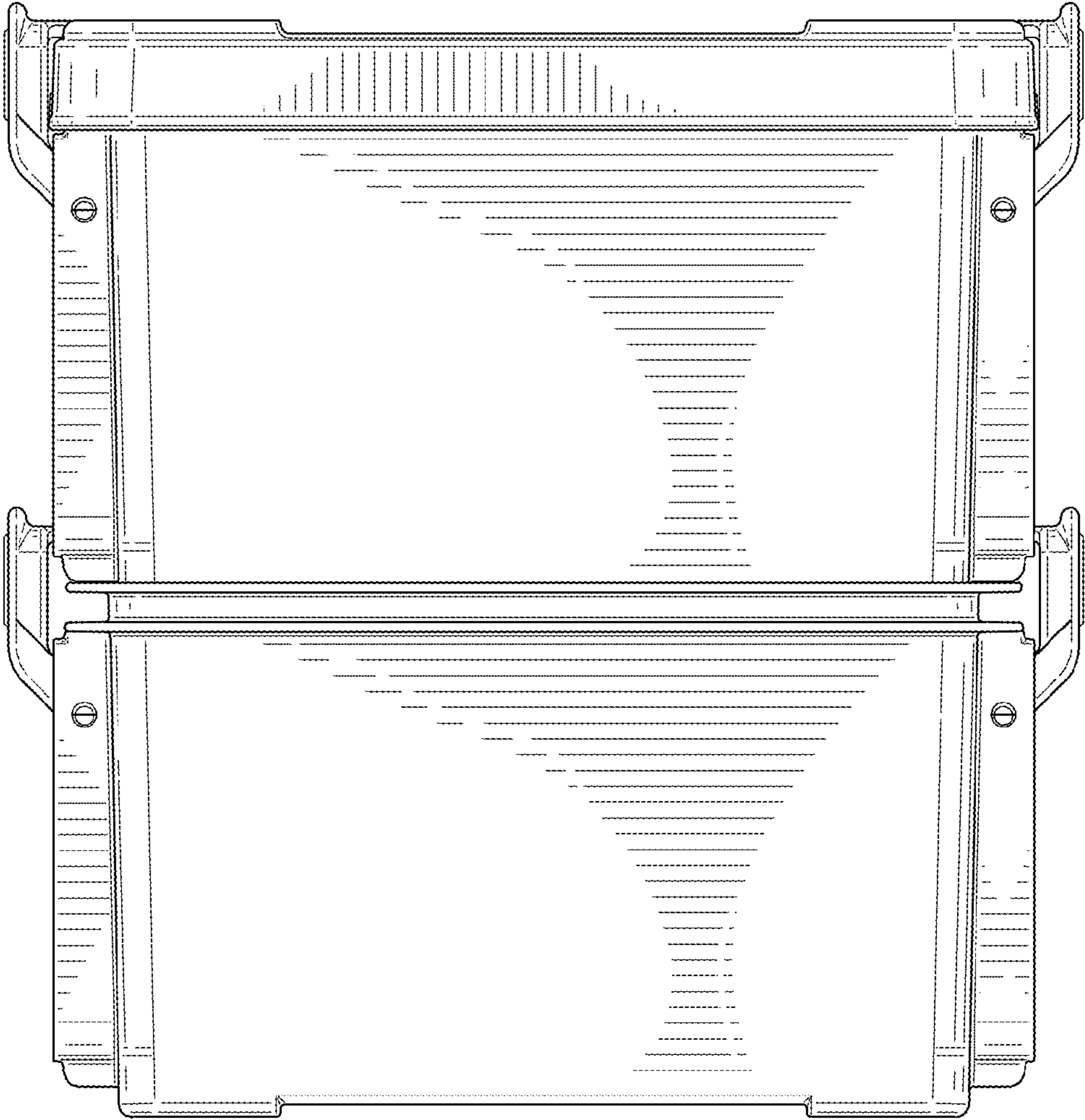


FIG. 8

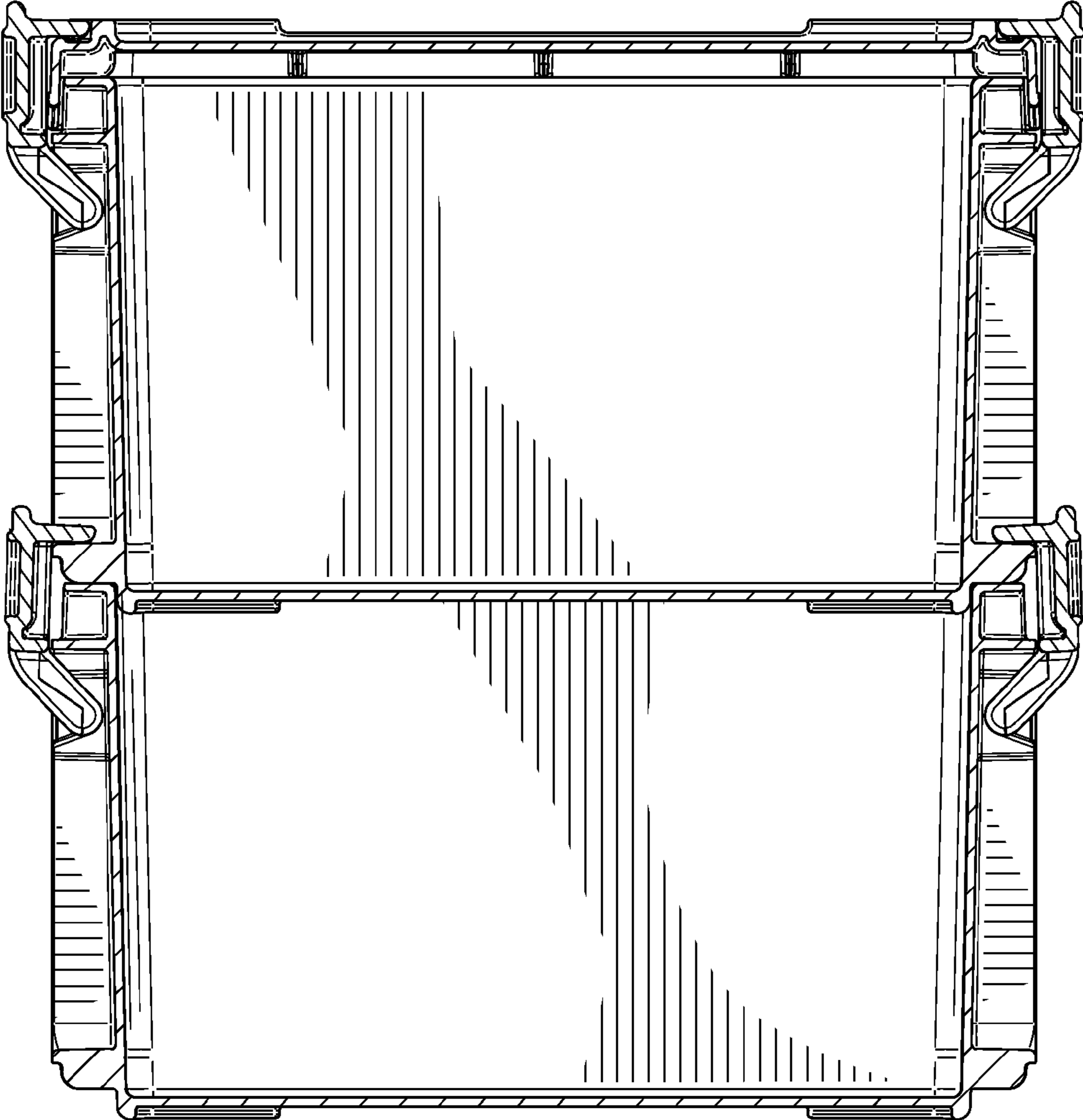


FIG. 9

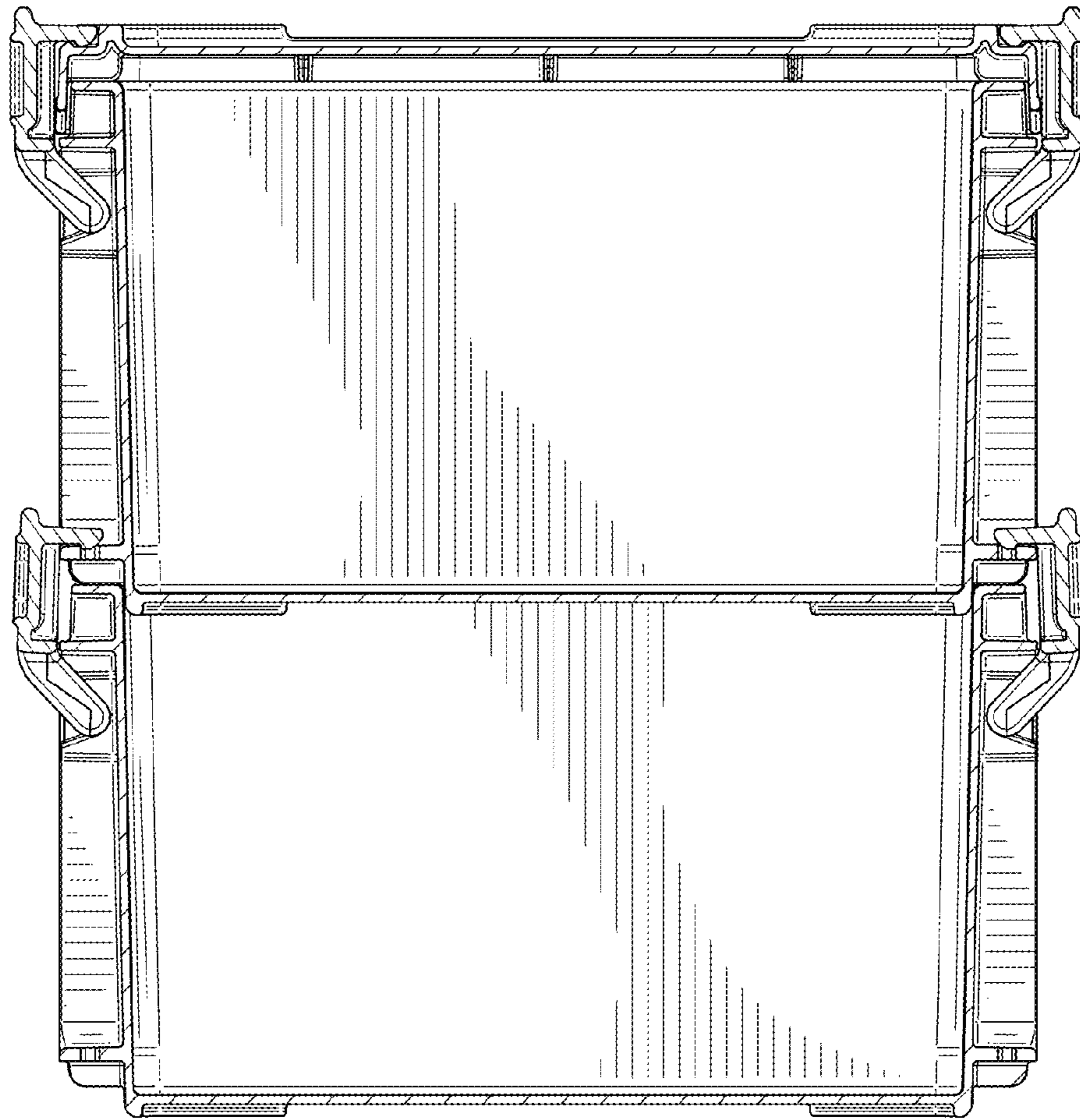


FIG. 10

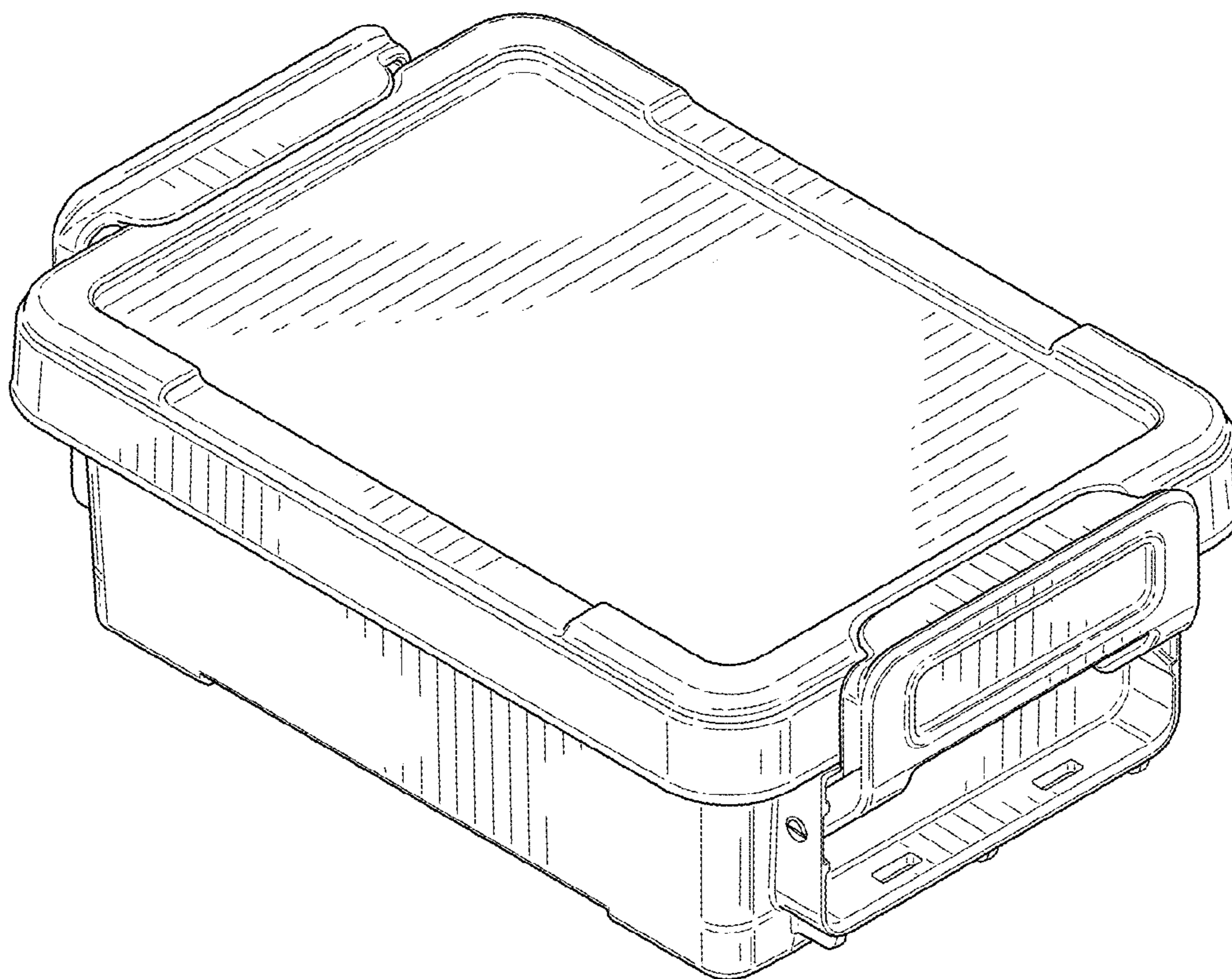


FIG. 11

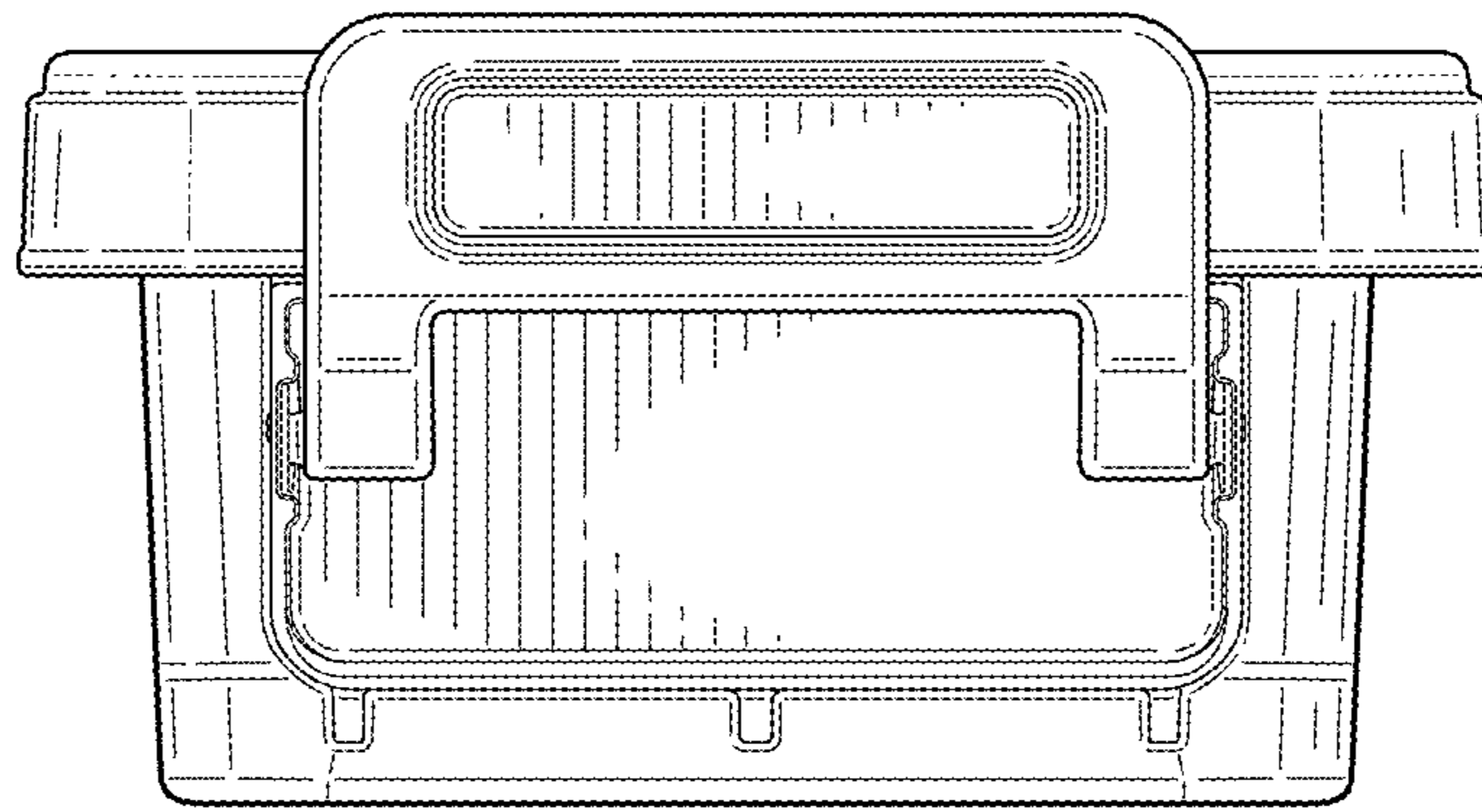


FIG. 12

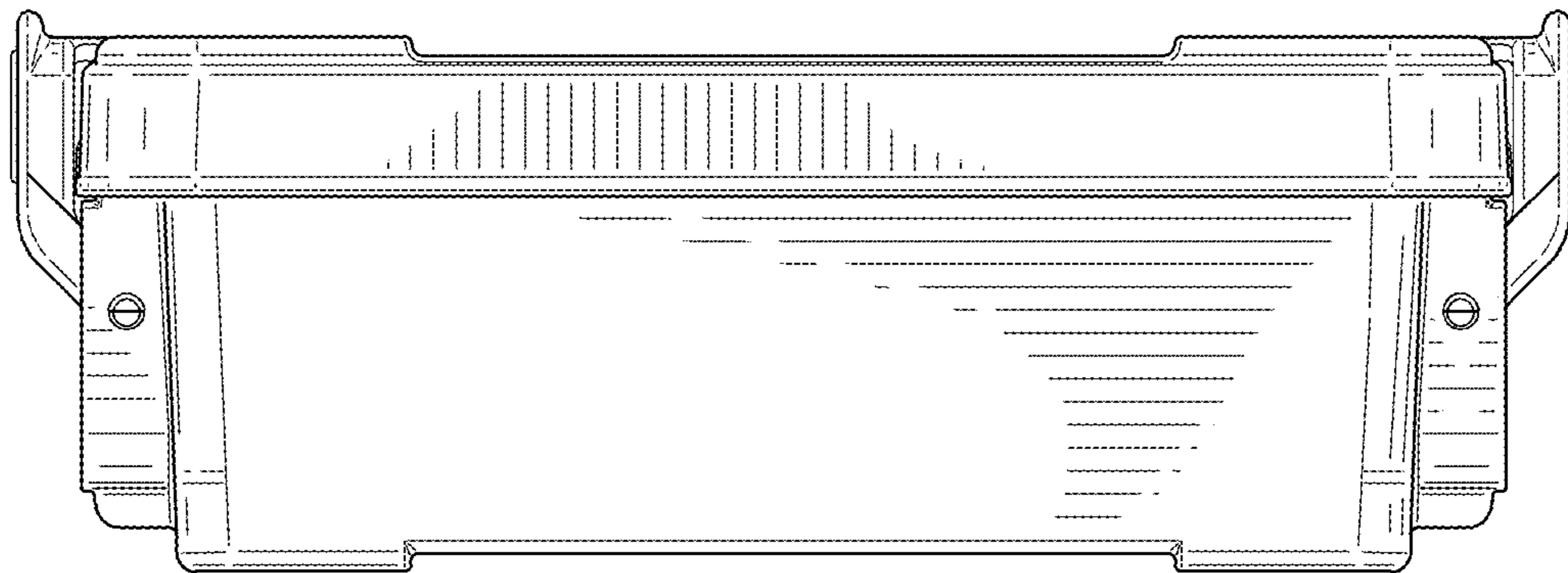


FIG. 13

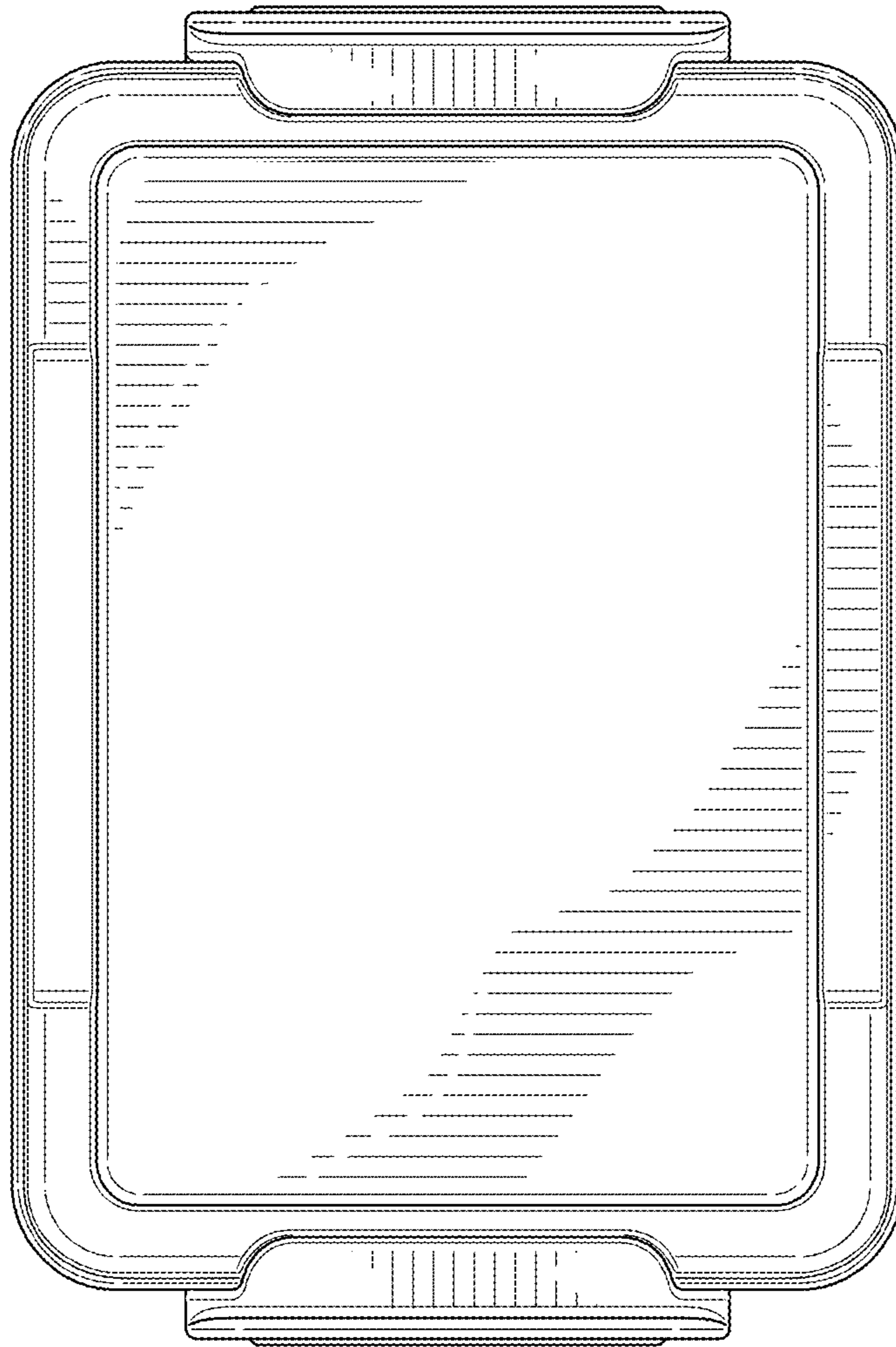


FIG. 14

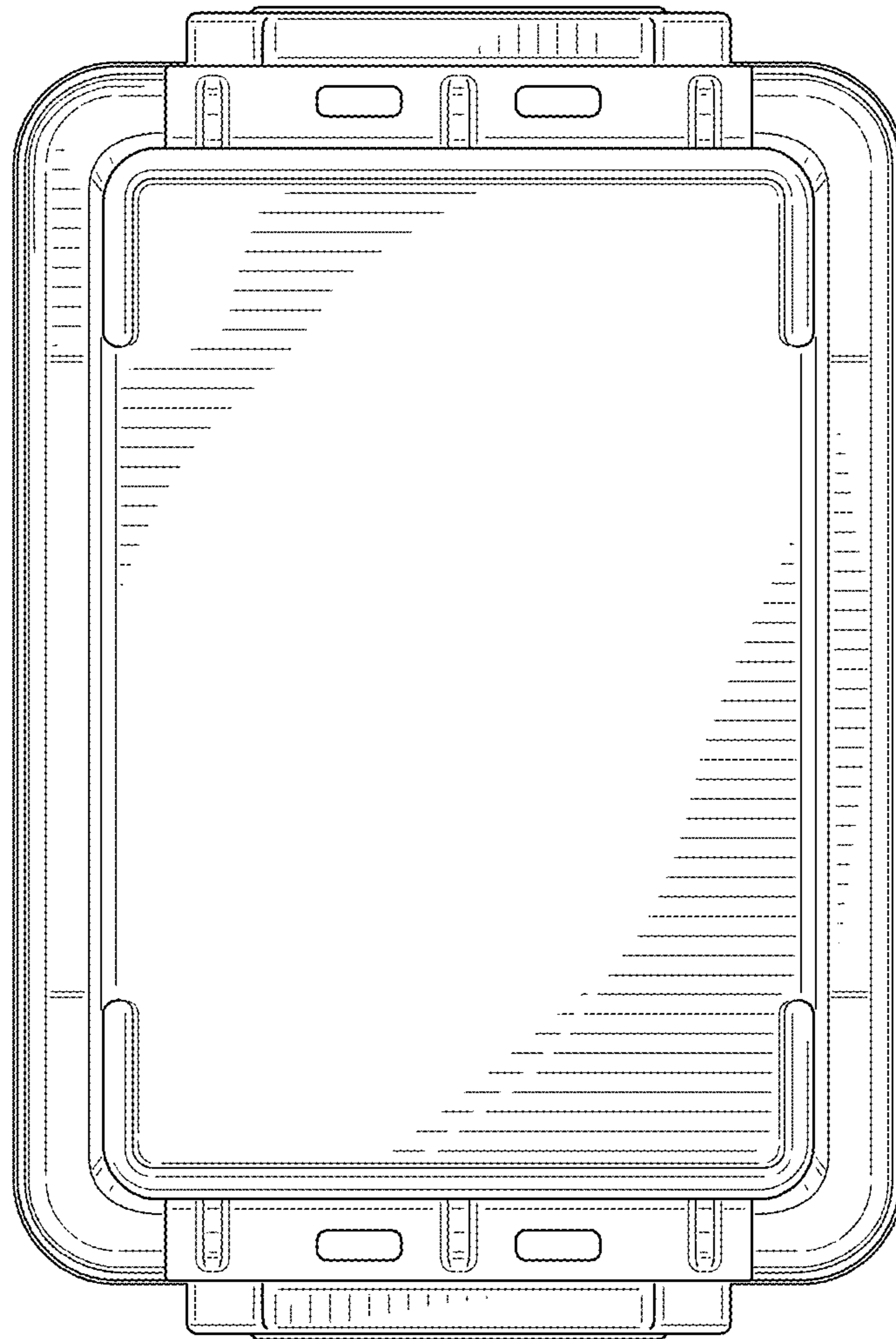


FIG. 15

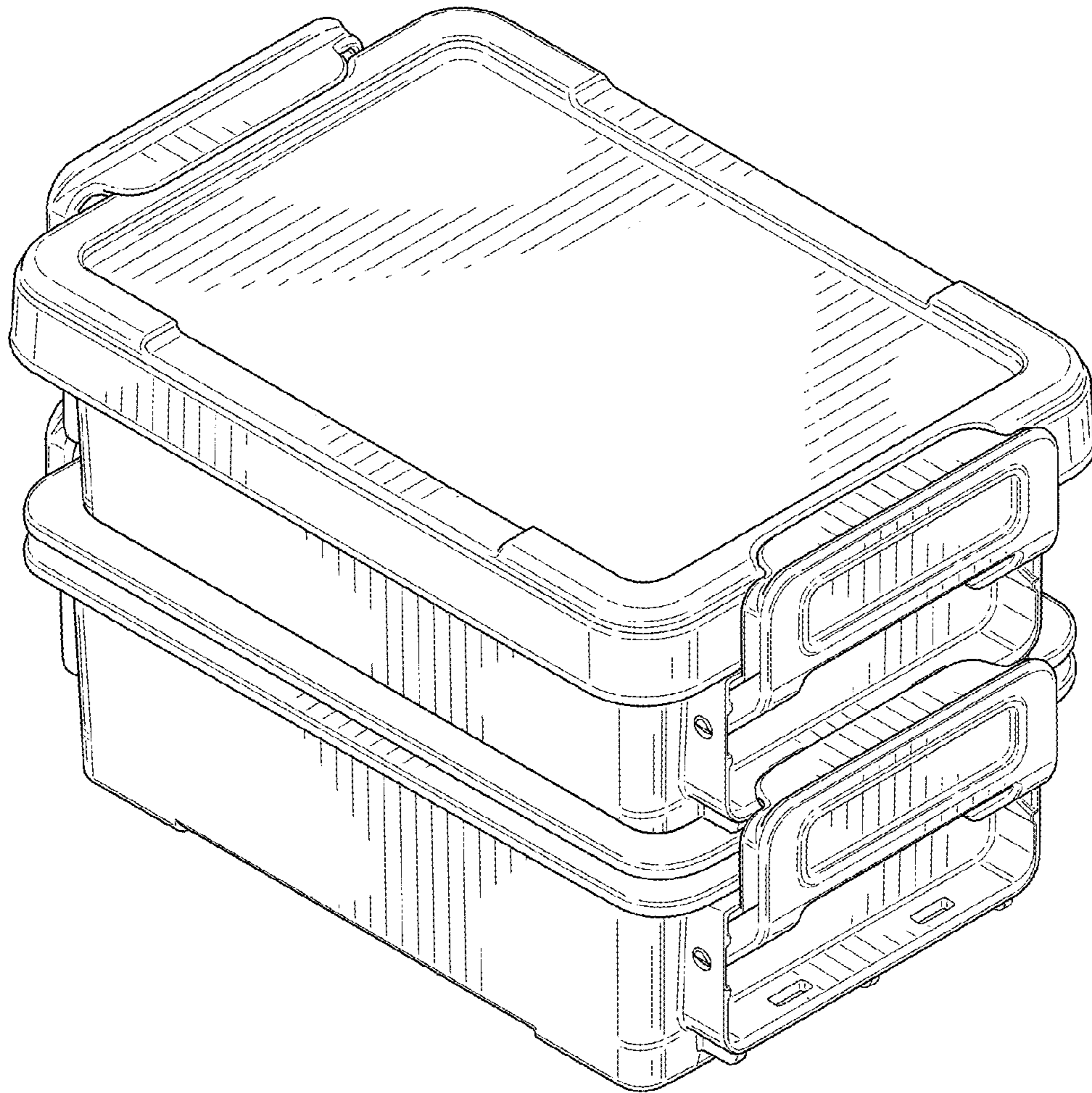


FIG. 16

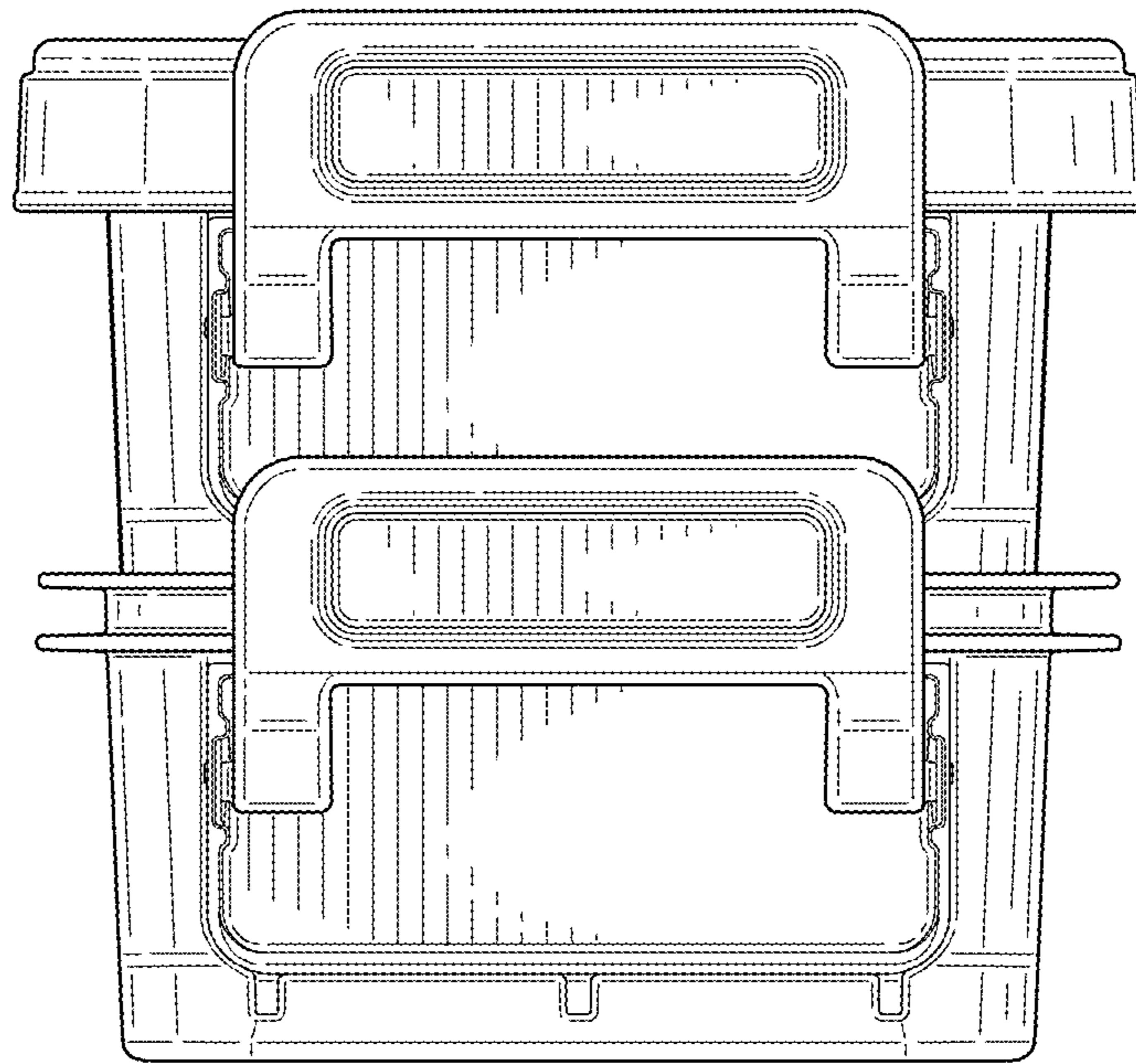


FIG. 17

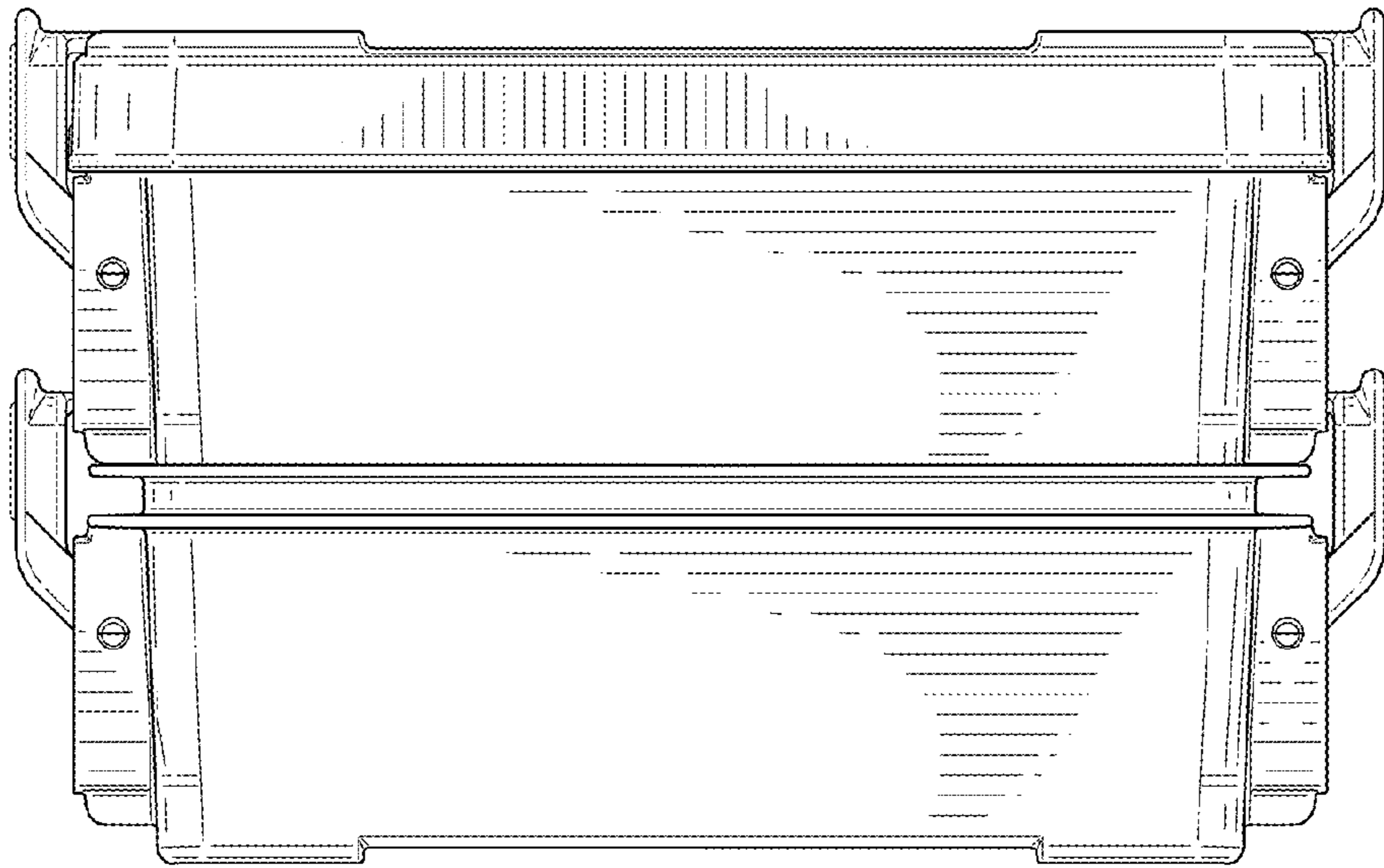


FIG. 18

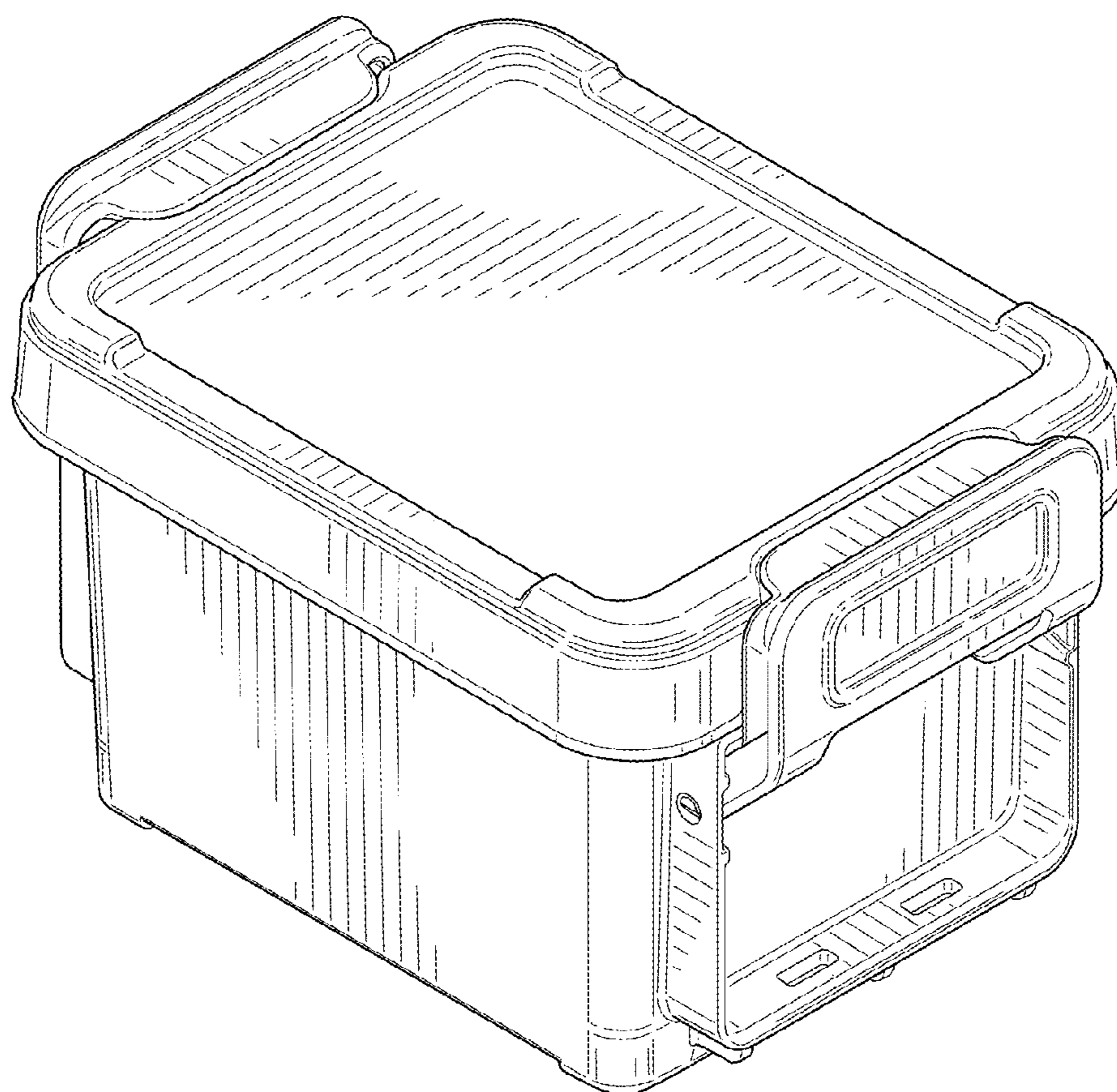


FIG. 19

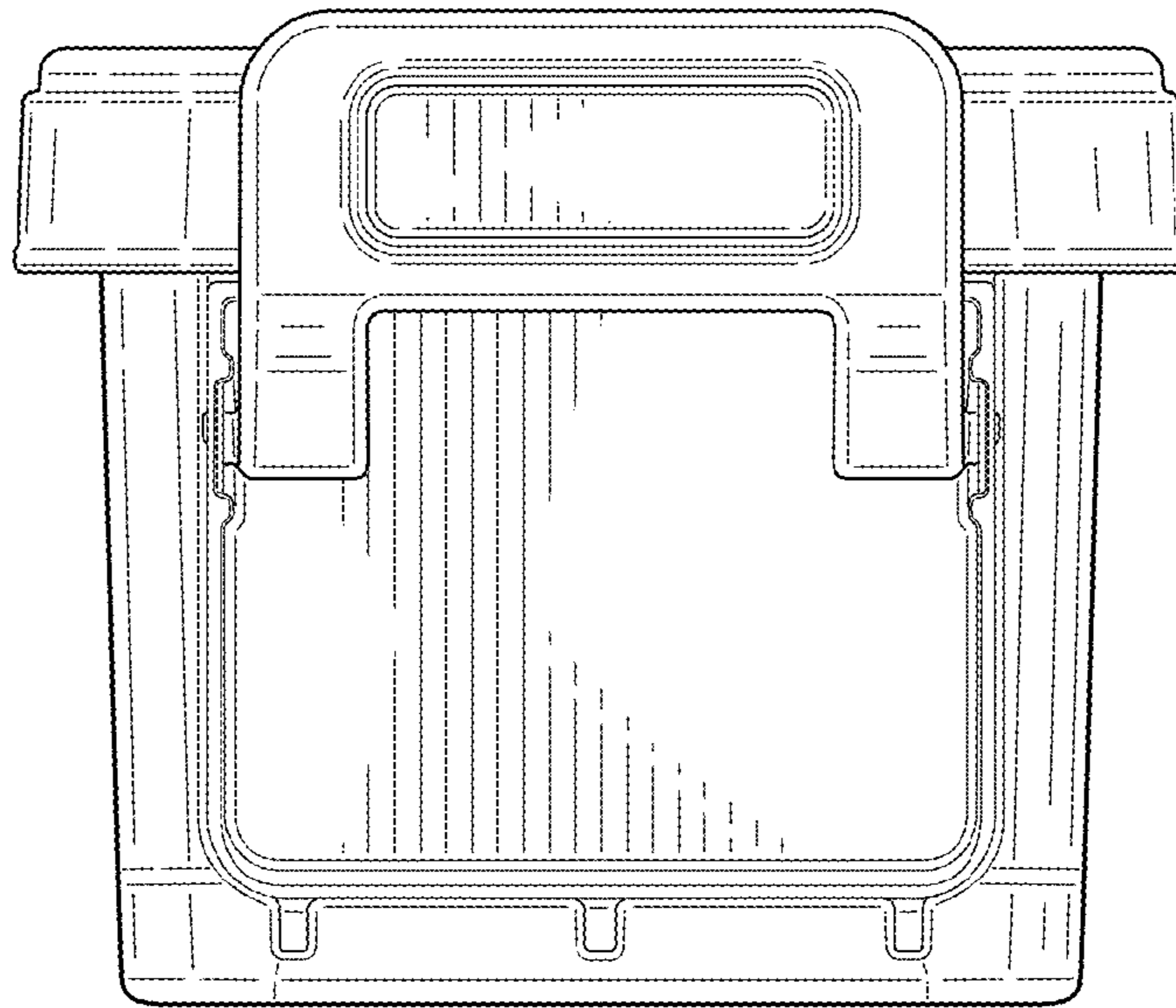


FIG. 20

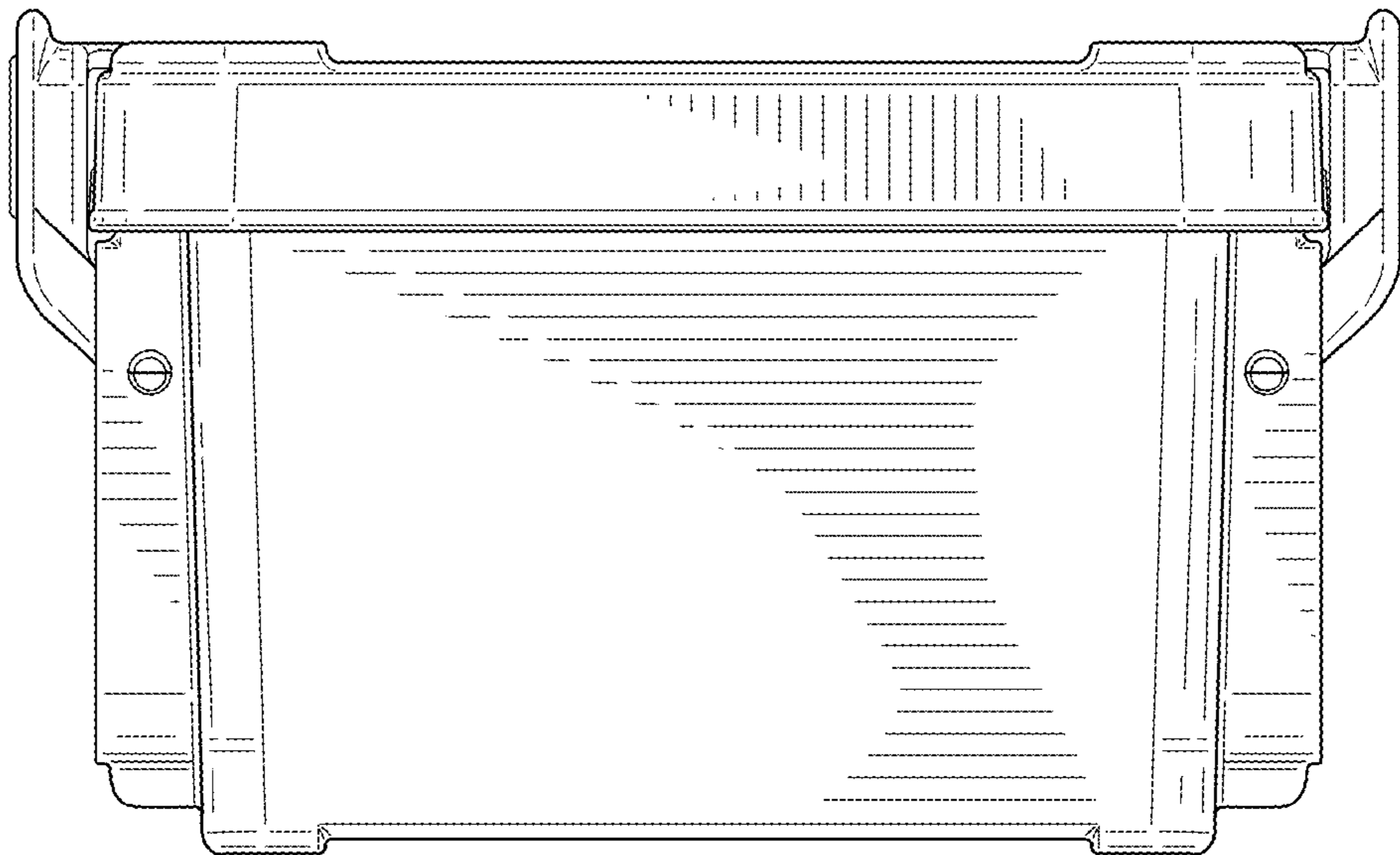


FIG. 21

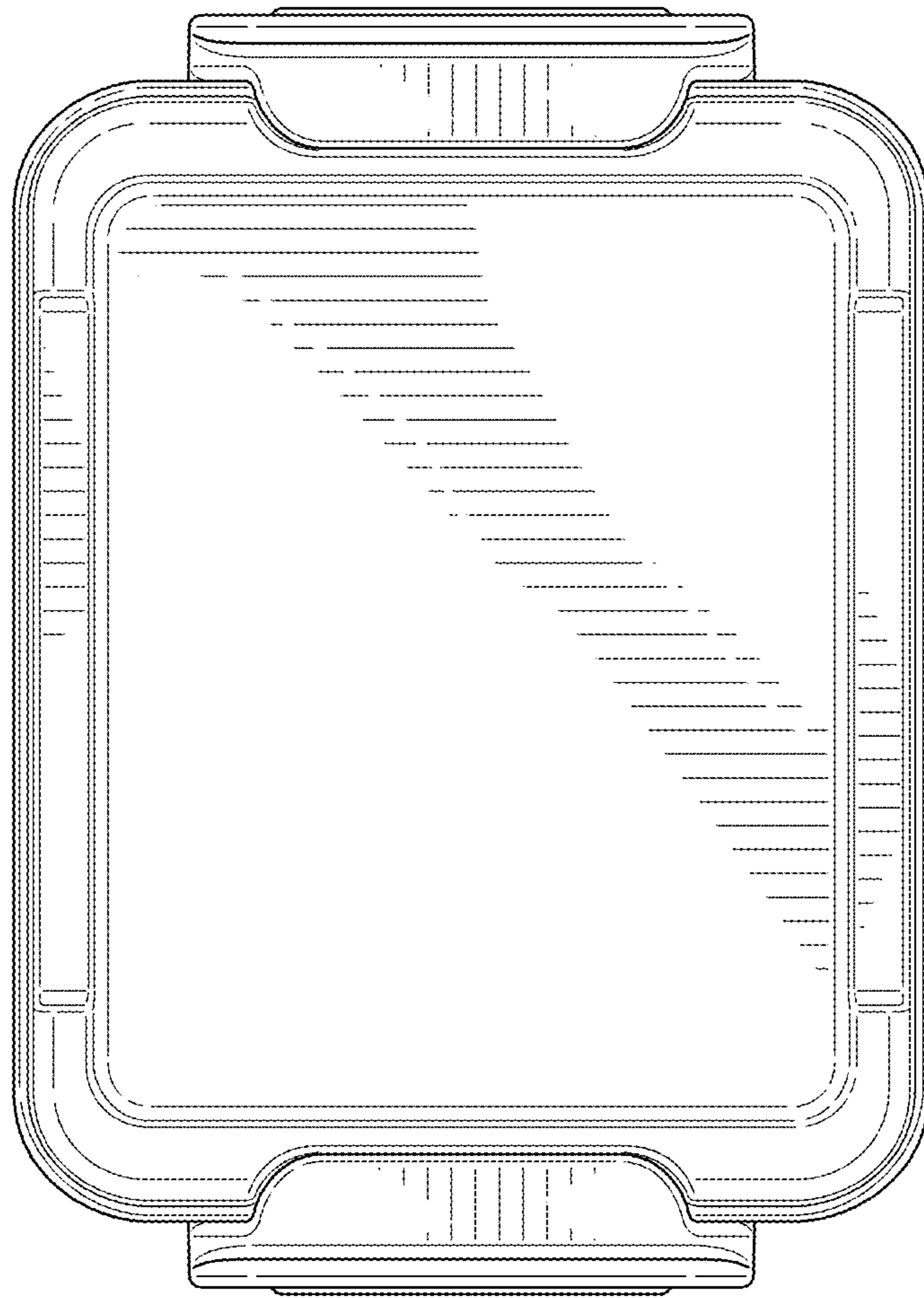


FIG. 22

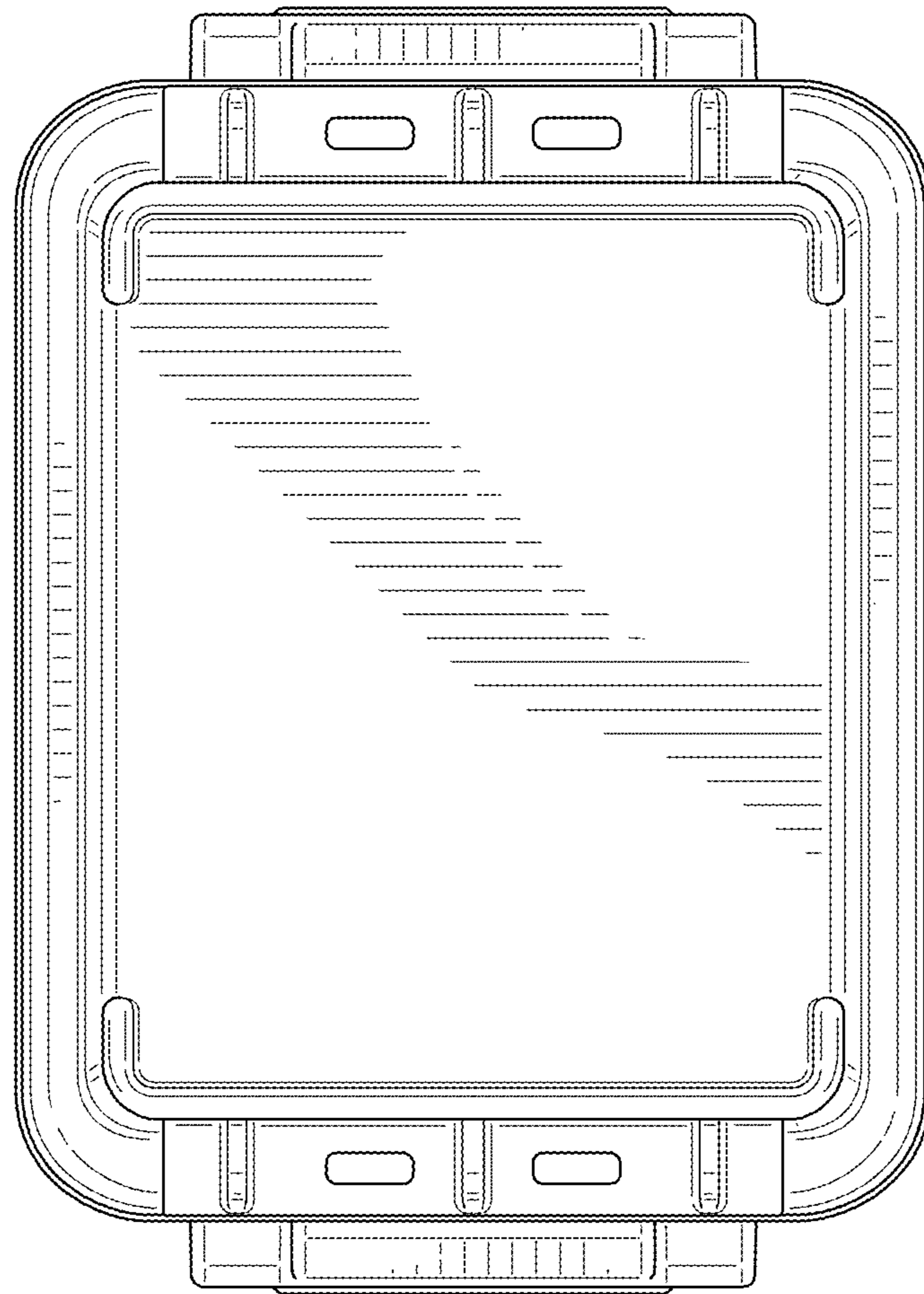


FIG. 23

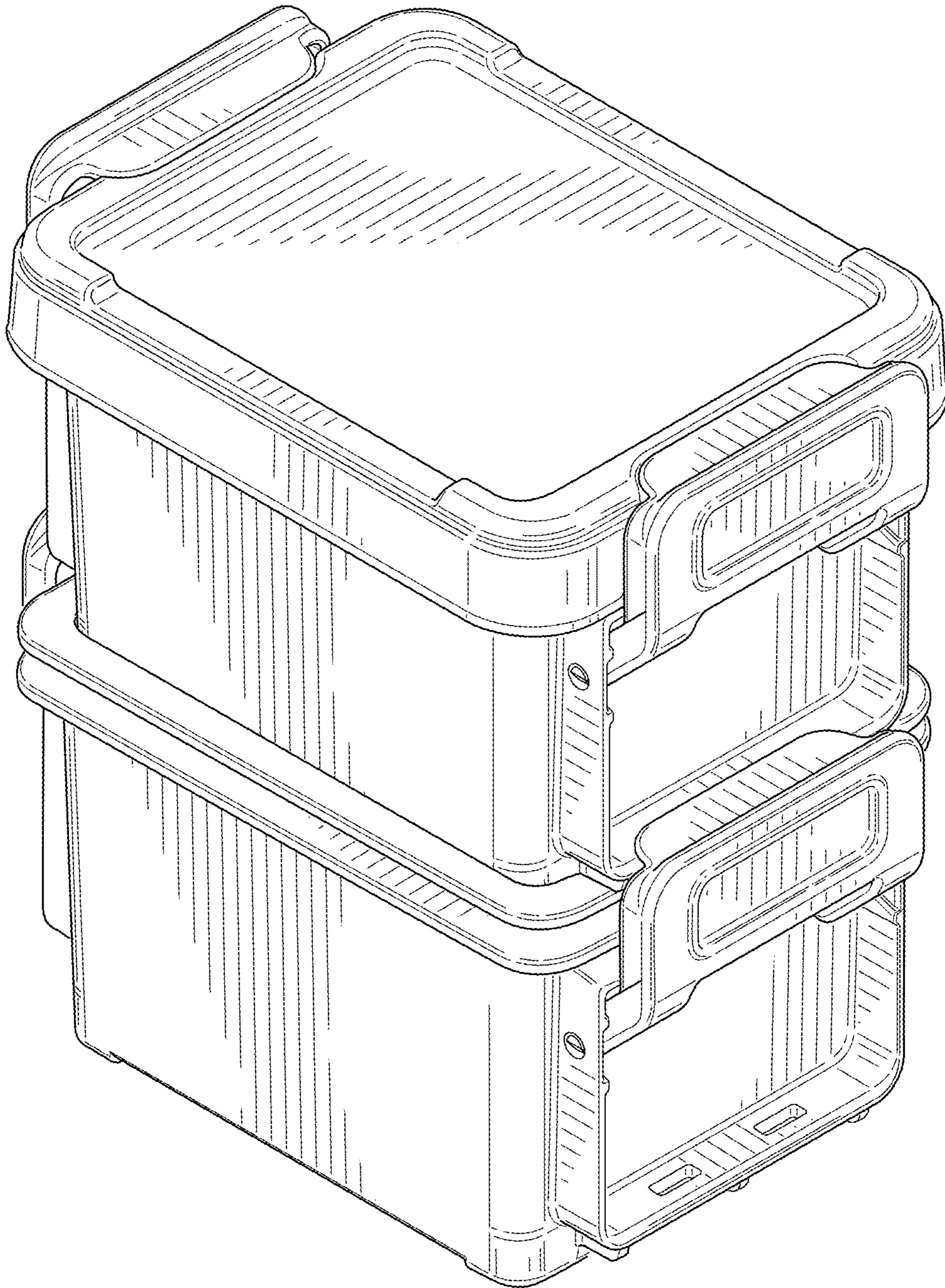


FIG. 24

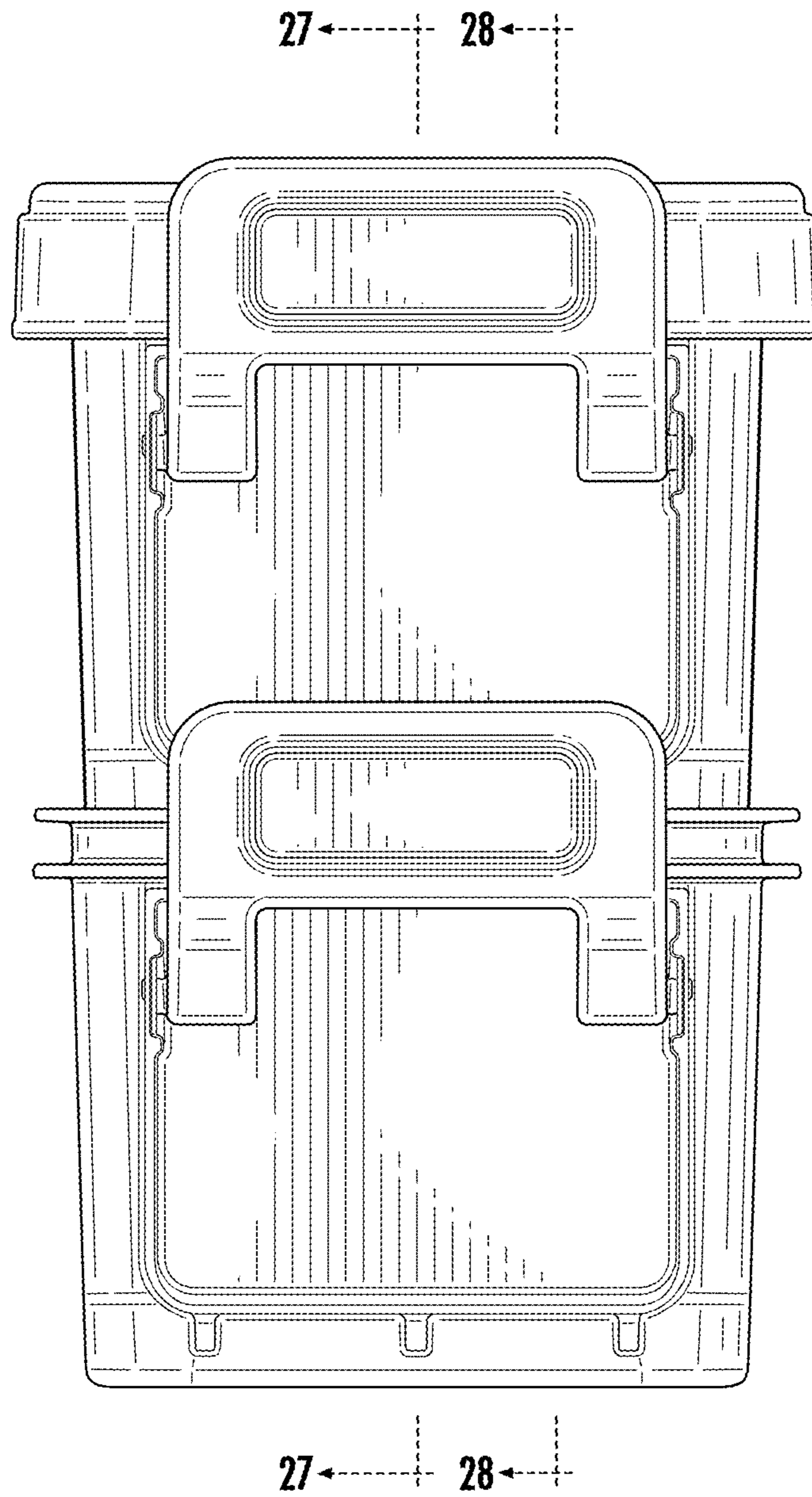


FIG. 25

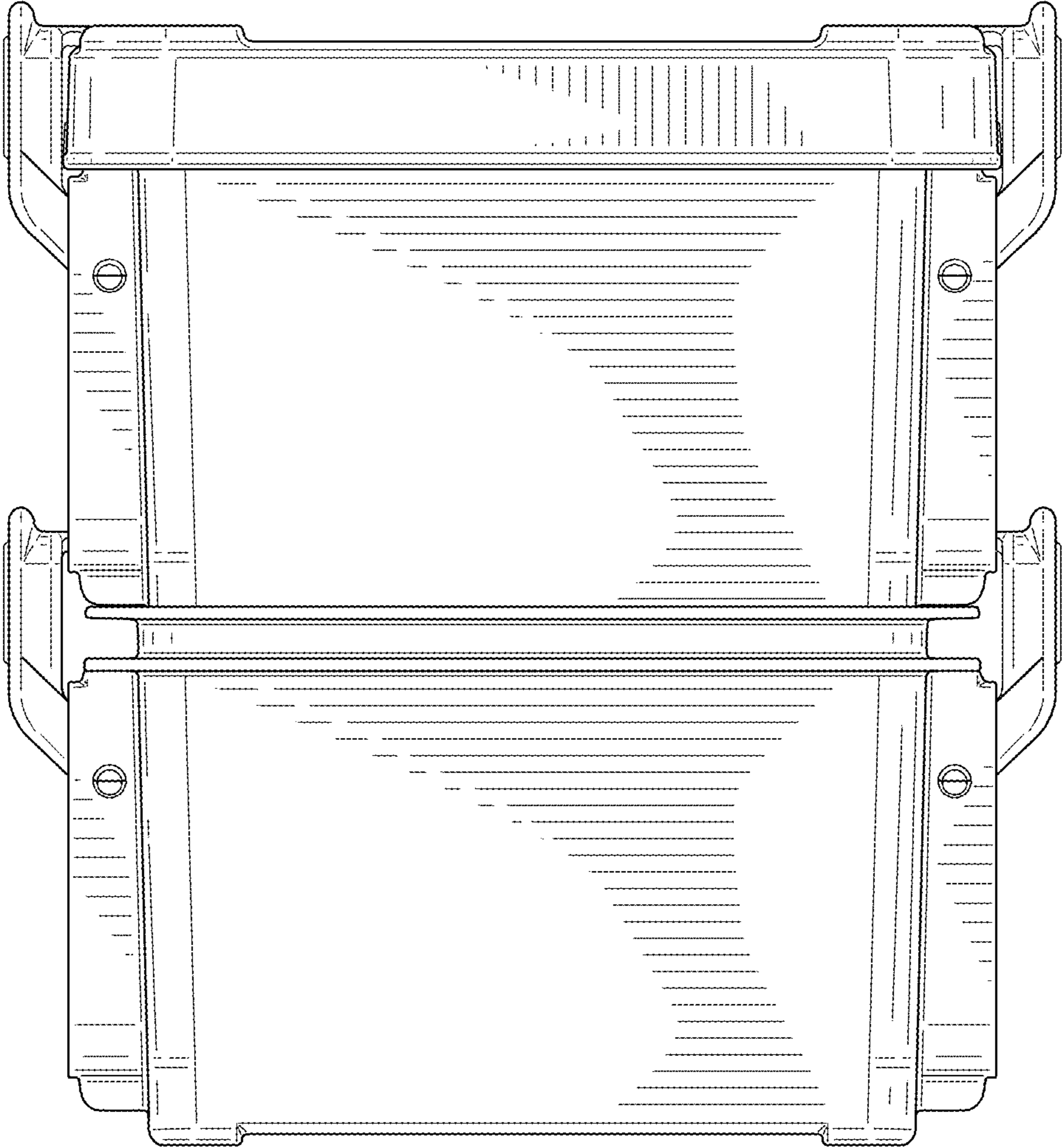


FIG. 26

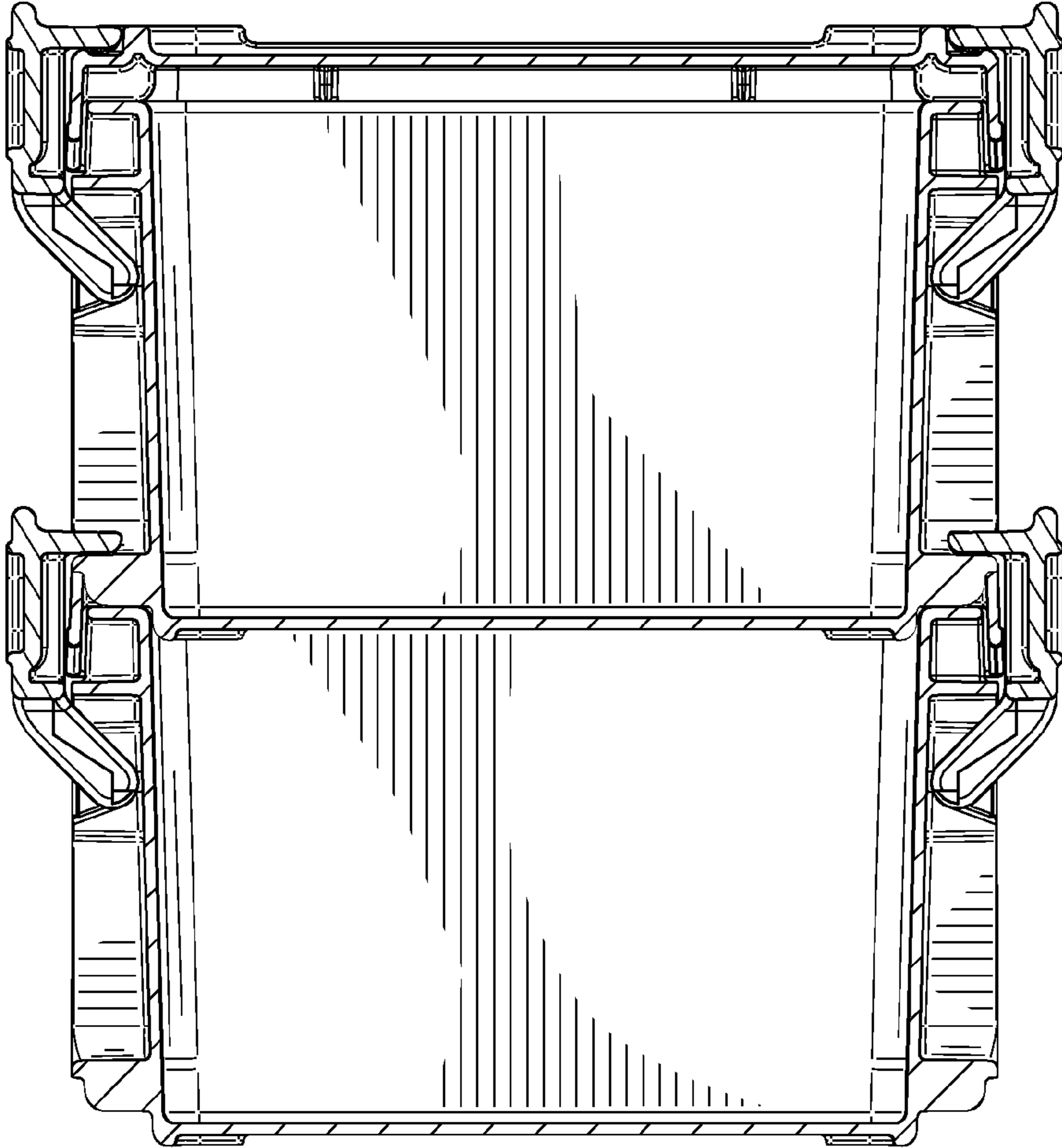


FIG. 27

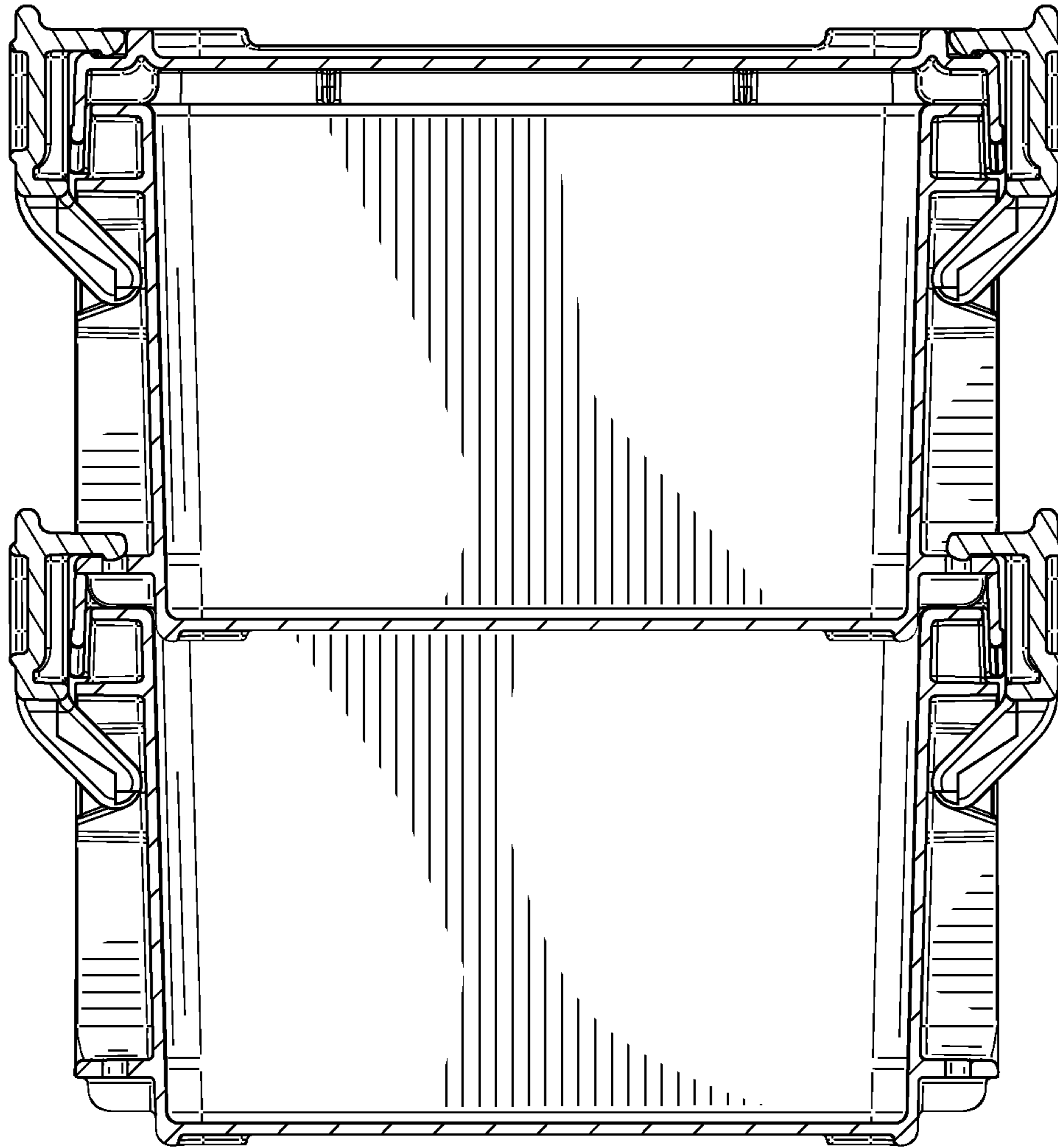


FIG. 28