



US00D701043S

(12) **United States Design Patent**
Minn et al.

(10) **Patent No.:** **US D701,043 S**
(45) **Date of Patent:** **** Mar. 18, 2014**

(54) **WALLET STRAP**

FOREIGN PATENT DOCUMENTS

(71) Applicant: **HuMn Design, LLC**, Portland, OR (US)

CA 2472447 A1 * 12/2005
CN 2648884 10/2004

(72) Inventors: **Kenneth Minn**, Portland, OR (US);
Scott Husa, Portland, OR (US)

(Continued)

(73) Assignee: **HuMn Design, LLC**, Portland, OR (US)

OTHER PUBLICATIONS

(**) Term: **14 Years**

Wintercheck Factory Website: William Wallet, Oct. 2, 2010, <http://web.archive.org/web/20101002104327/http://www.wintercheckfactory.com/shop/13-william-wallet>.

(21) Appl. No.: **29/471,805**

Primary Examiner — Holly Baynham

(22) Filed: **Nov. 5, 2013**

(74) *Attorney, Agent, or Firm* — Stolowitz Ford Cowger LLP

Related U.S. Application Data

(60) Continuation of application No. 29/464,756, filed on Aug. 20, 2013, now Pat. No. Des. 695,013, which is a division of application No. 29/418,637, filed on Apr. 18, 2012, now Pat. No. Des. 690,931.

(57) **CLAIM**

The ornamental design for a wallet strap, as shown in the accompanying drawings.

(51) **LOC (10) Cl.** **03-01**

DESCRIPTION

(52) **U.S. Cl.**
USPC **D3/247**

(58) **Field of Classification Search**
CPC A45C 1/06; A45C 1/08; A45C 1/062; A45C 1/083
USPC D3/247, 249–253
See application file for complete search history.

FIG. 1 is a front elevational view of a wallet strap showing our design;
FIG. 2 is a right side elevational view for the wallet strap of FIG. 1;
FIG. 3 is a left side elevational view for the wallet strap of FIG. 1;
FIG. 4 is a top plan view for the wallet strap of FIG. 1;
FIG. 5 is a bottom plan view for the wallet strap of FIG. 1;
FIG. 6 is a rear elevational view for the wallet strap of FIG. 1;
FIG. 7 is a perspective view for the wallet strap of FIG. 1; and,
FIG. 8 is a perspective view thereof, illustrating the use of the wallet strap of FIG. 1 retaining a credit card and money.
The broken lines showing a portion of the hanger rod holder are included for the purpose of illustrating environmental structure and form no part of the claimed design.

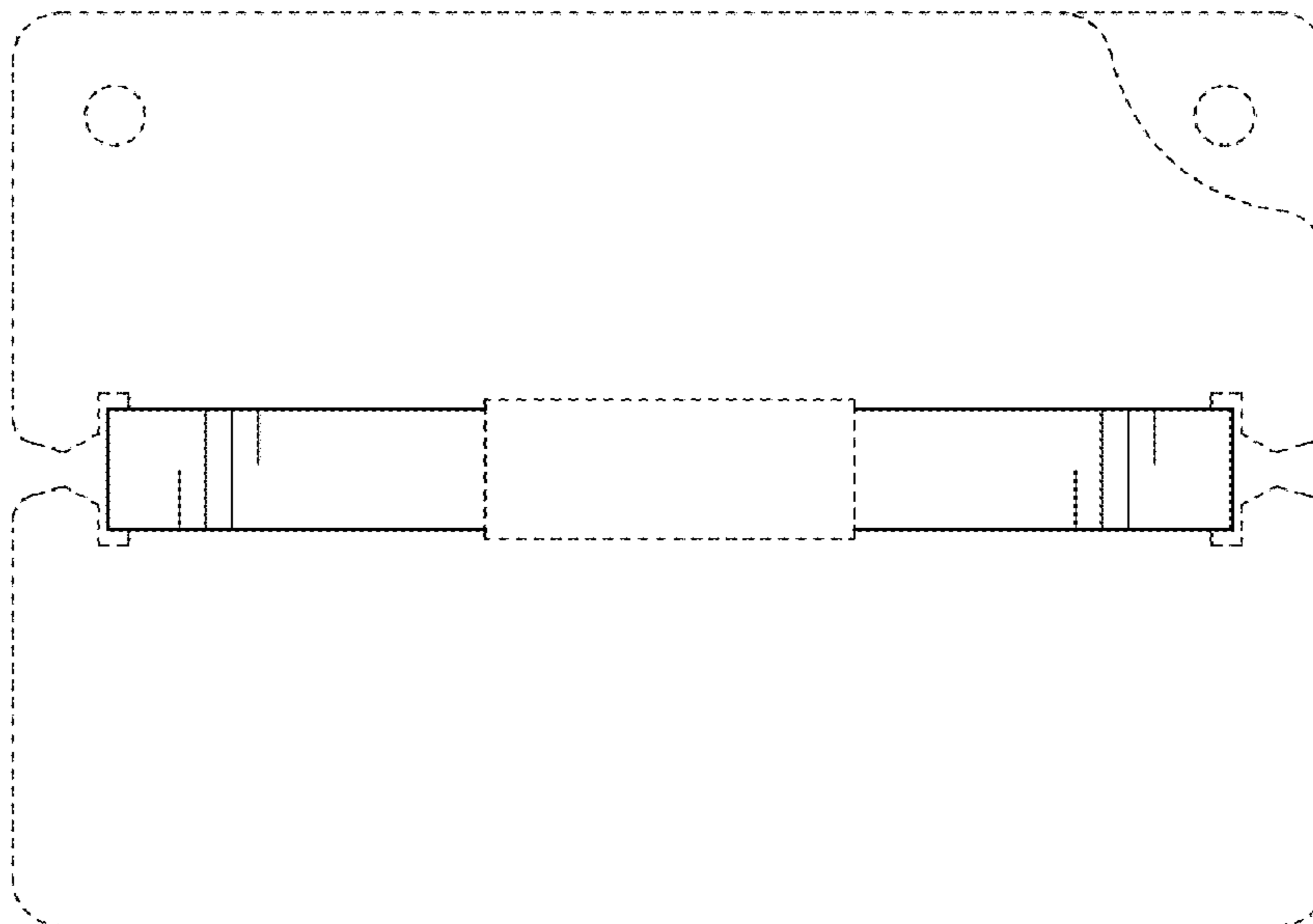
(56) **References Cited**

U.S. PATENT DOCUMENTS

D286,582 S	11/1986	Phelps
5,077,869 A	1/1992	Haase
5,279,019 A	1/1994	Knickle
D384,499 S	10/1997	Gaestel
7,000,291 B2	2/2006	Fuller
D590,151 S	4/2009	Karobkina

(Continued)

1 Claim, 2 Drawing Sheets



(56)

References Cited

U.S. PATENT DOCUMENTS

7,640,632	B2	1/2010	Lazarus
D613,293	S	4/2010	Sheba
D627,786	S	11/2010	Hsia
D628,796	S	12/2010	Uzelac
D630,848	S	1/2011	Long
7,971,324	B2	7/2011	Preston-Hall
2003/0038043	A1	2/2003	Painsith
2006/0187055	A1	8/2006	Colby
2007/0109130	A1	5/2007	Edenfield

2007/0256279	A1	11/2007	Glickfield
2007/0289775	A1	12/2007	Potts
2010/0230018	A1	9/2010	Nielsen

FOREIGN PATENT DOCUMENTS

CN	201536722	8/2010
GB	128510	6/1919
KR	20070072050	7/2007
RO	121314	3/2007
WO	2010097342	9/2010

* cited by examiner

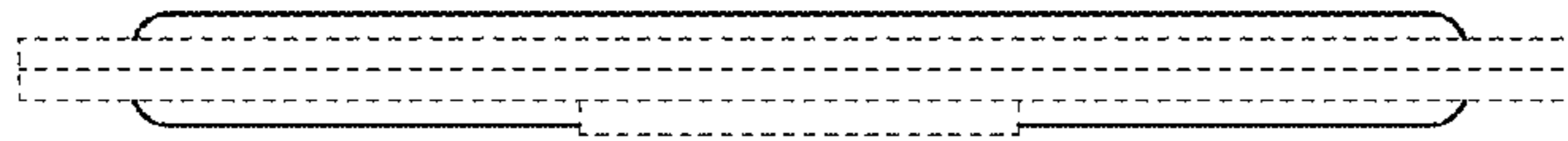


FIG. 4



FIG. 3

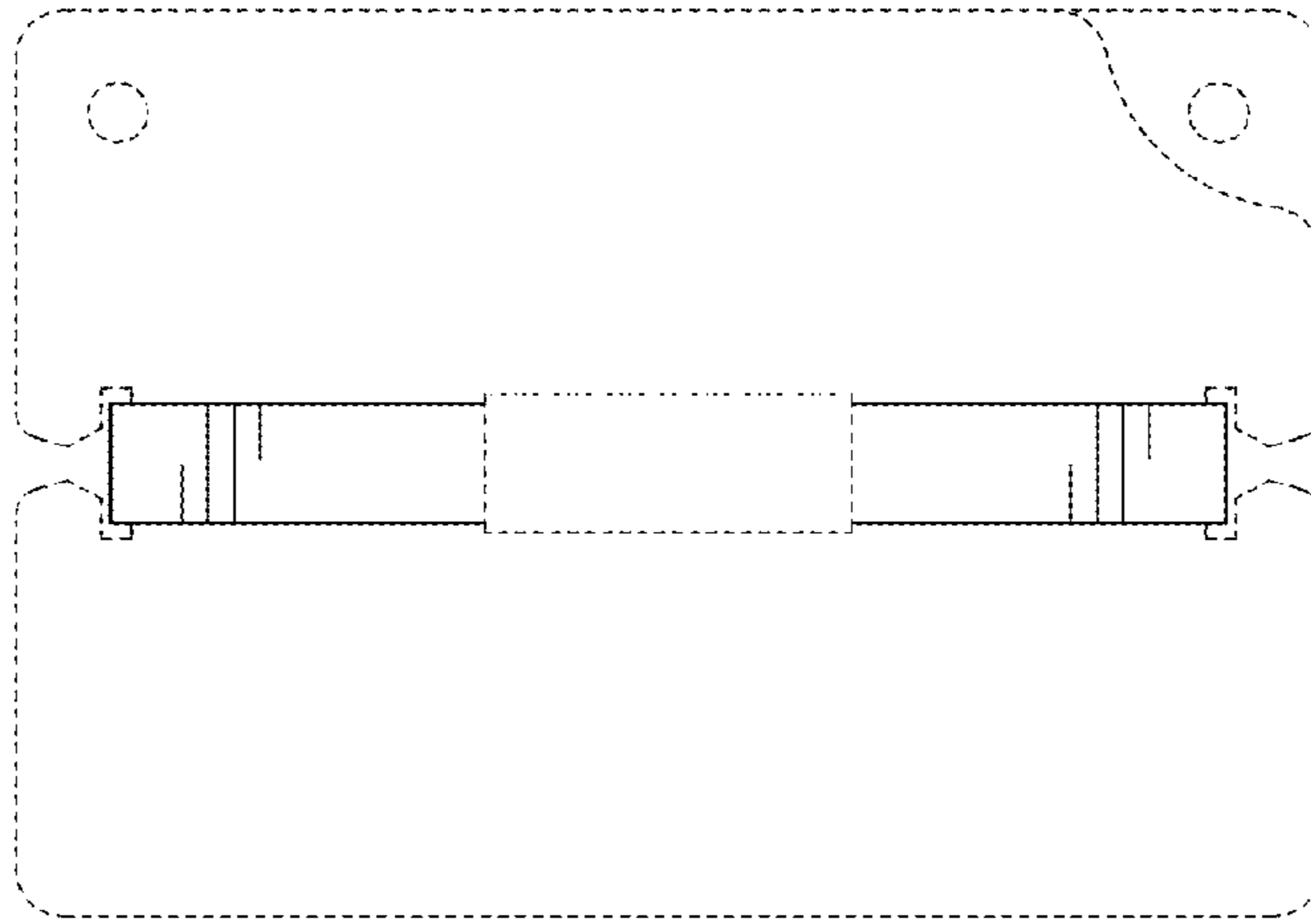


FIG. 1

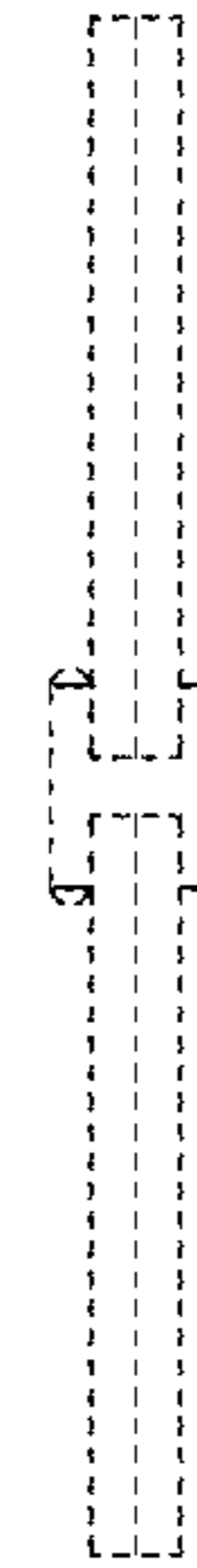


FIG. 2

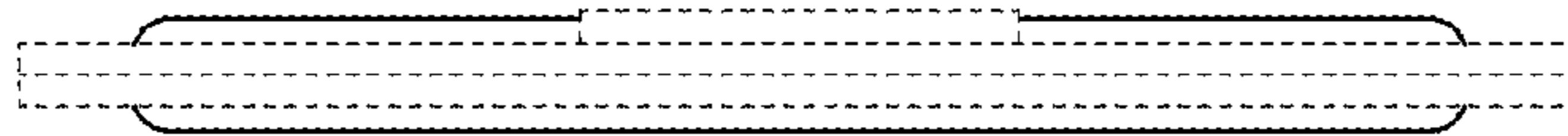


FIG. 5

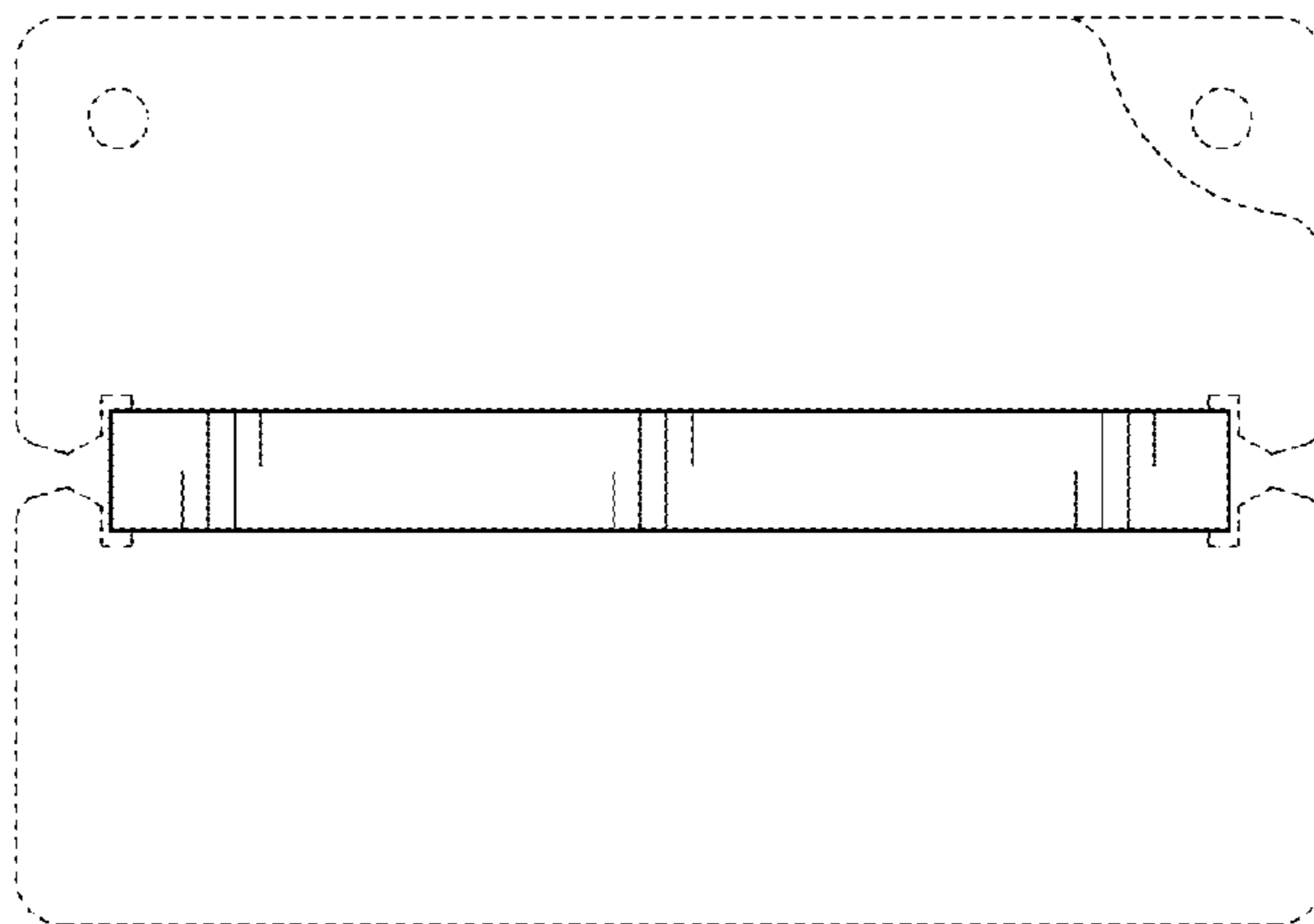


FIG. 6

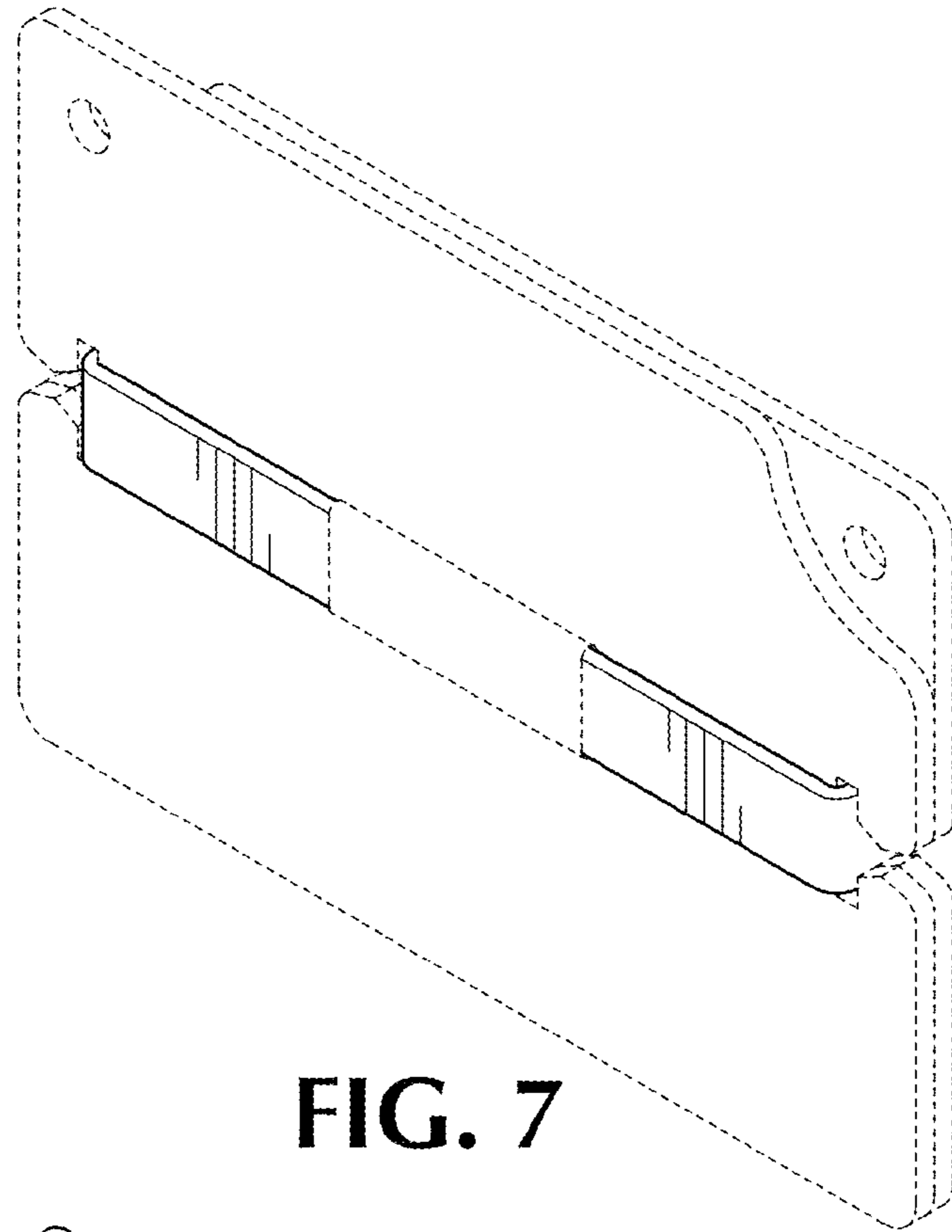


FIG. 7

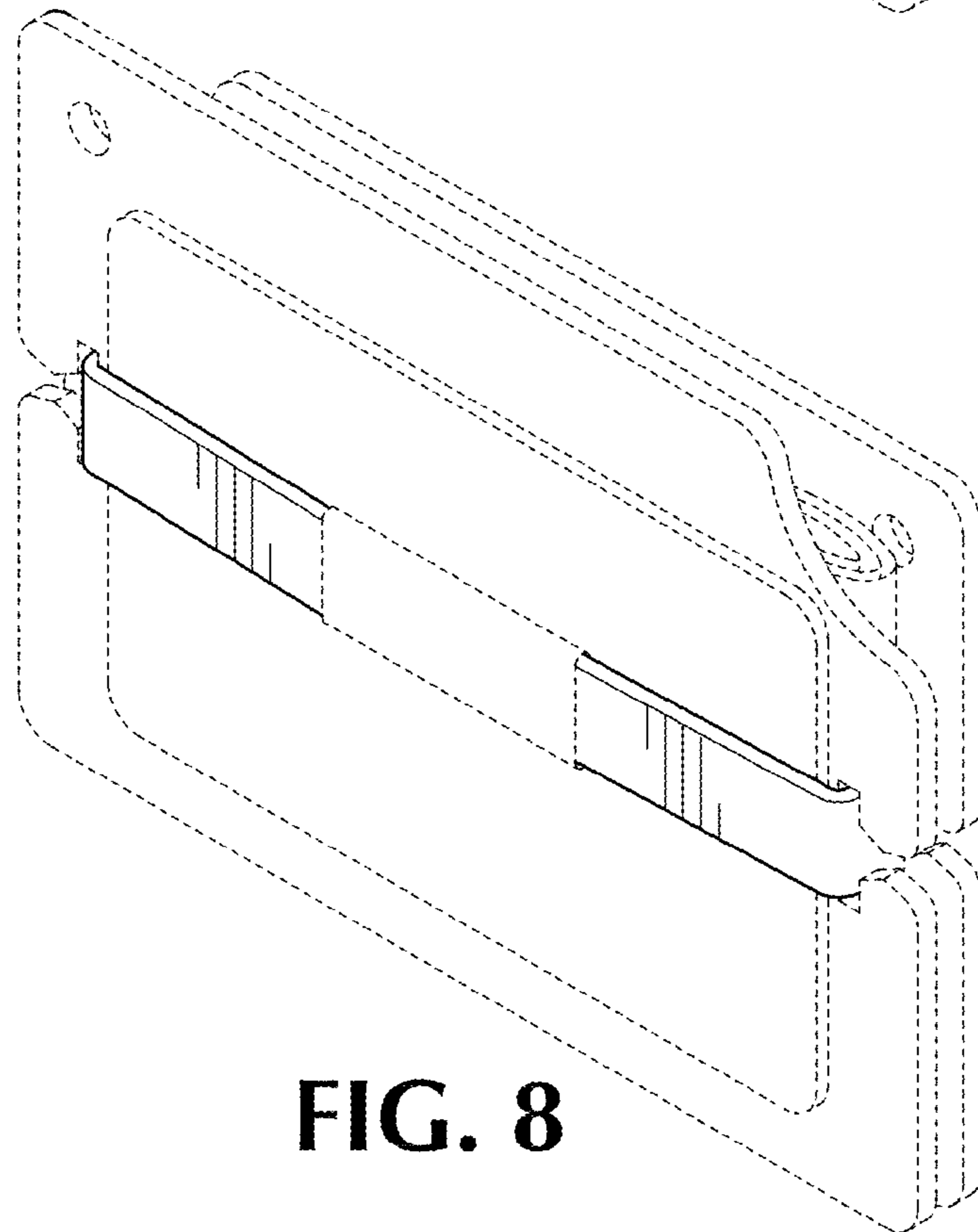


FIG. 8