



US00D701028S

(12) **United States Design Patent**
Remington et al.

(10) **Patent No.:** **US D701,028 S**

(45) **Date of Patent:** **** *Mar. 18, 2014**

- (54) **PEDIATRIC INSOLE**
- (75) Inventors: **Corey W. Remington**, Wadsworth, OH (US); **Melinda D. Moreland**, West Chester, OH (US)
- (73) Assignee: **Stable Step LLC**, Wadsworth, OH (US)
- (*) Notice: This patent is subject to a terminal disclaimer.

D487,185 S *	3/2004	Grisoni et al.	D2/961
D498,577 S *	11/2004	Crewdson et al.	D2/961
D533,336 S *	12/2006	Walker	D2/961
D552,838 S *	10/2007	Quinn	D2/961
D582,641 S *	12/2008	Kielt et al.	D2/961
D607,195 S *	1/2010	Feller et al.	D2/961
D614,842 S *	5/2010	Vasyli	D2/961
8,109,014 B2 *	2/2012	Miller et al.	36/91
D661,076 S *	6/2012	Appel et al.	D2/961
D665,156 S *	8/2012	Smith	D2/961
D676,637 S *	2/2013	Hane	D2/961

(**) Term: **14 Years**

(21) Appl. No.: **29/428,887**

(22) Filed: **Aug. 3, 2012**

(51) **LOC (10) Cl.** **02-04**

(52) **U.S. Cl.**
USPC **D2/961**

(58) **Field of Classification Search**
USPC D2/925, 926, 927, 964, 965, 966, 896,
D2/946, 947, 949, 950, 951, 961, 968;
36/83, 25 R, 28, 29, 30 R, 31, 32 R, 34 R,
36/35 R, 36 R, 42, 34 A, 43, 44, 71, 88,
36/91-94, 100, 101, 136, 145, 154, 173
See application file for complete search history.

(56) **References Cited**

U.S. PATENT DOCUMENTS

D329,129 S *	9/1992	Brown	D2/961
D332,003 S *	12/1992	Brown	D2/961
5,722,186 A *	3/1998	Brown	36/43
D418,666 S *	1/2000	Brown	D2/961
D432,769 S *	10/2000	Yung et al.	D2/961
D485,425 S *	1/2004	Polifroni	D2/961

* cited by examiner

Primary Examiner — Elizabeth J Oswecki

(74) *Attorney, Agent, or Firm* — Renner, Kenner, Greive, Bobak, Taylor & Weber

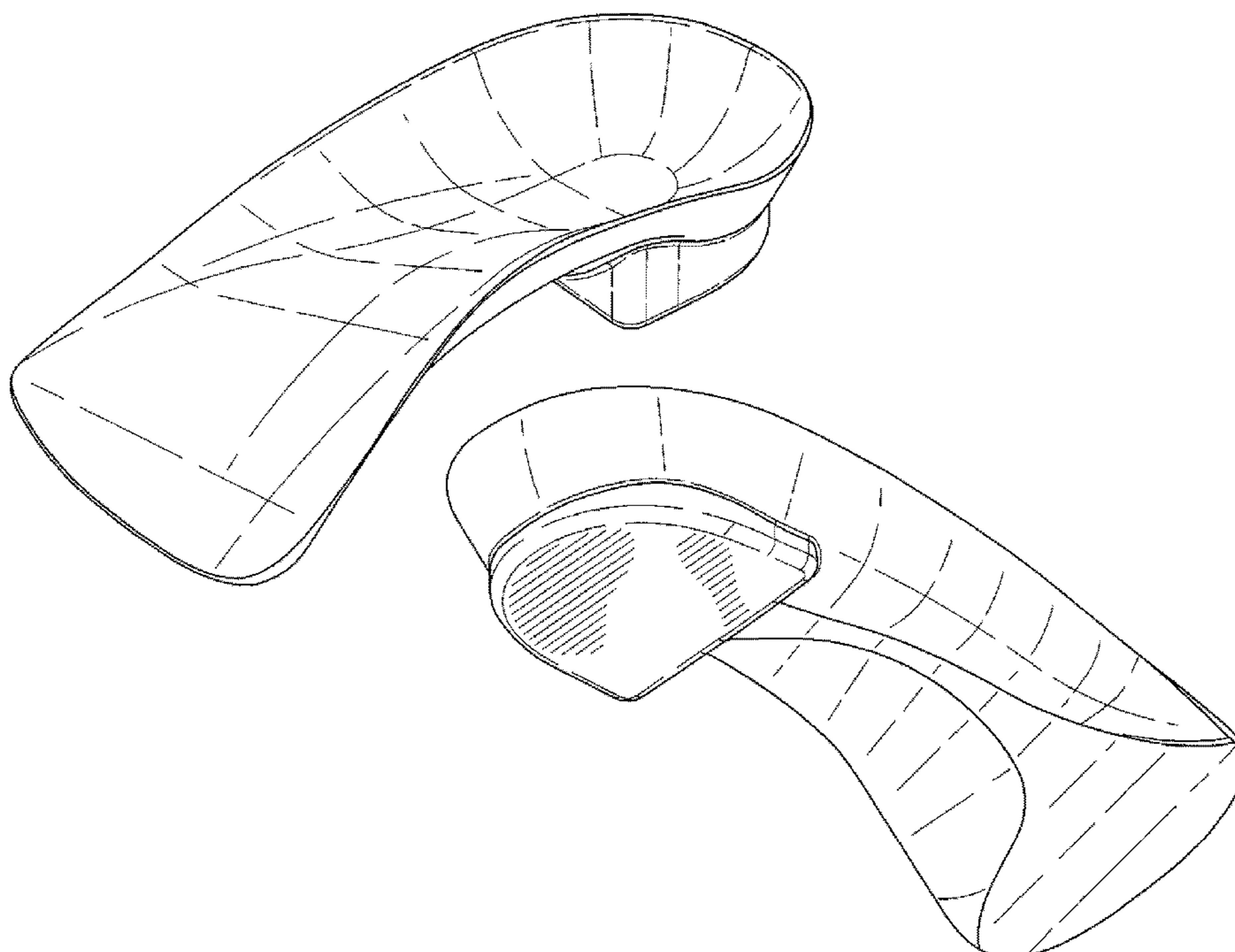
(57) **CLAIM**

The ornamental design for a pediatric insole, as shown and described.

DESCRIPTION

FIG. 1 is a top, front, left side perspective view of a pediatric insole showing our new design;
 FIG. 2 is a bottom, rear, right side perspective view thereof;
 FIG. 3 is a bottom plan view thereof;
 FIG. 4 is a top plan view thereof;
 FIG. 5 is a right side elevational view thereof;
 FIG. 6 is a left side elevational view thereof;
 FIG. 7 is a front side elevational view thereof;
 FIG. 8 is a rear side elevational view thereof;
 FIG. 9 is a cross sectional view taken along line 9-9 of FIG. 4;
 and,
 FIG. 10 is a cross sectional view taken along line 10-10 of FIG. 4.

1 Claim, 4 Drawing Sheets



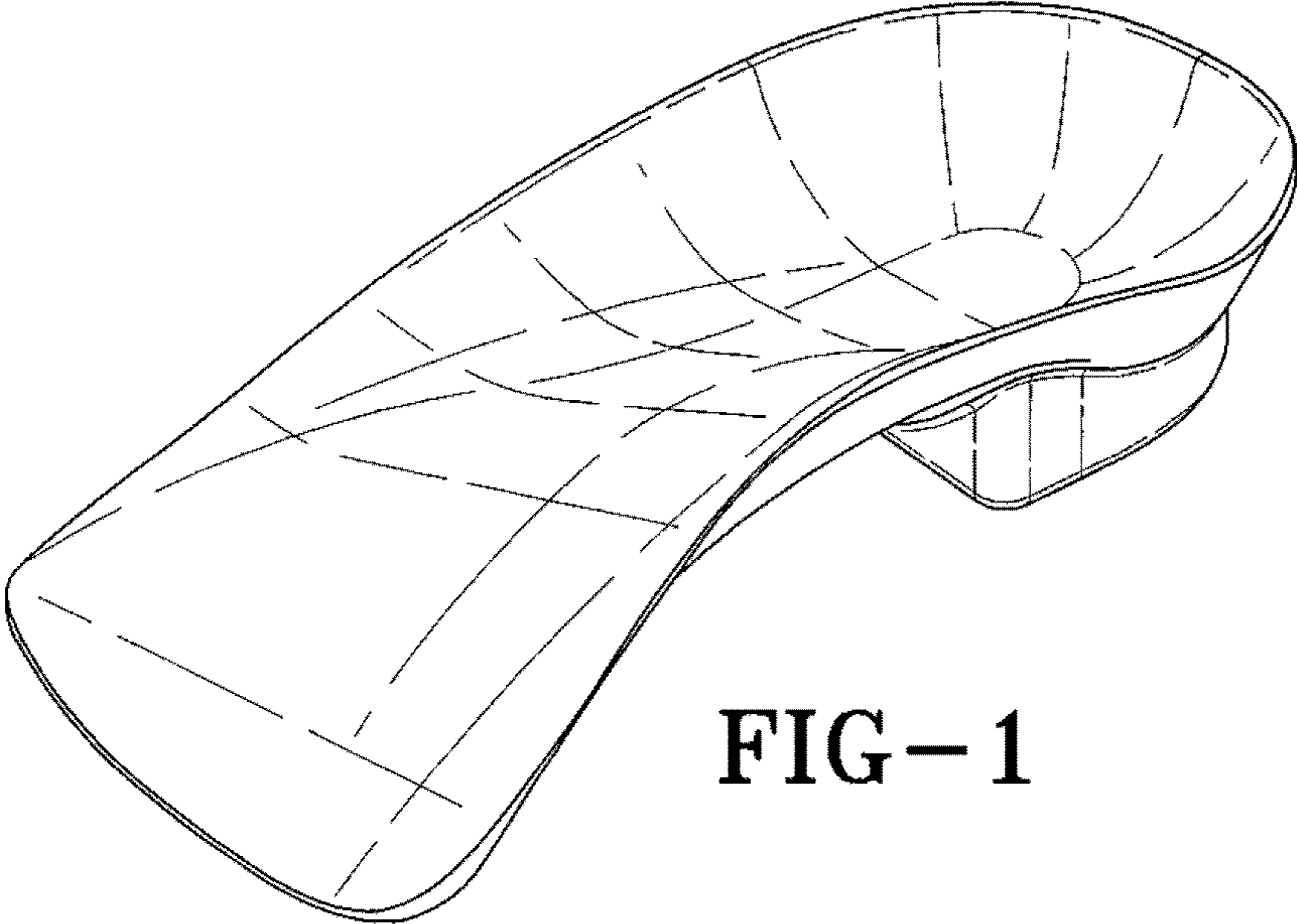


FIG-1

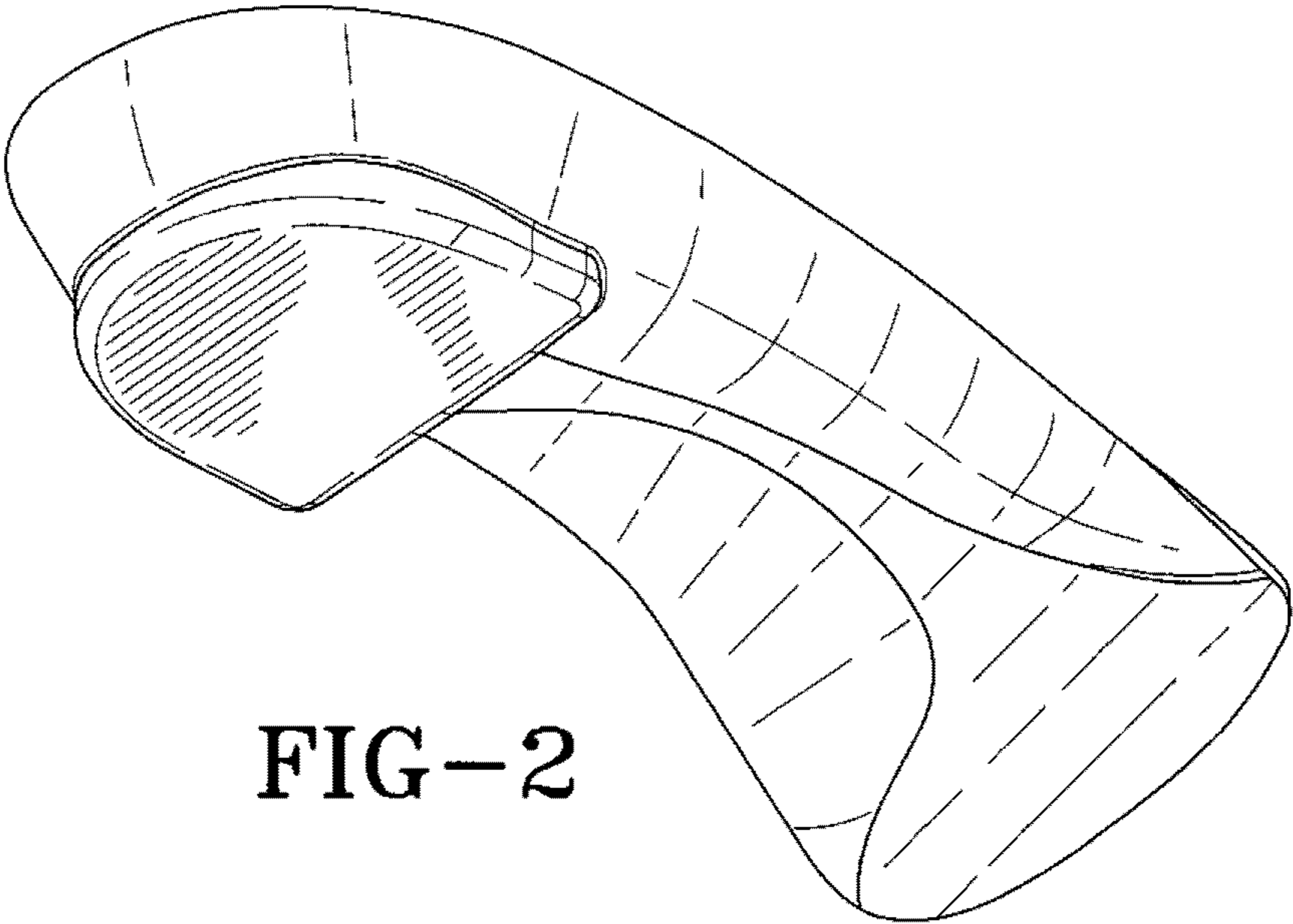


FIG-2

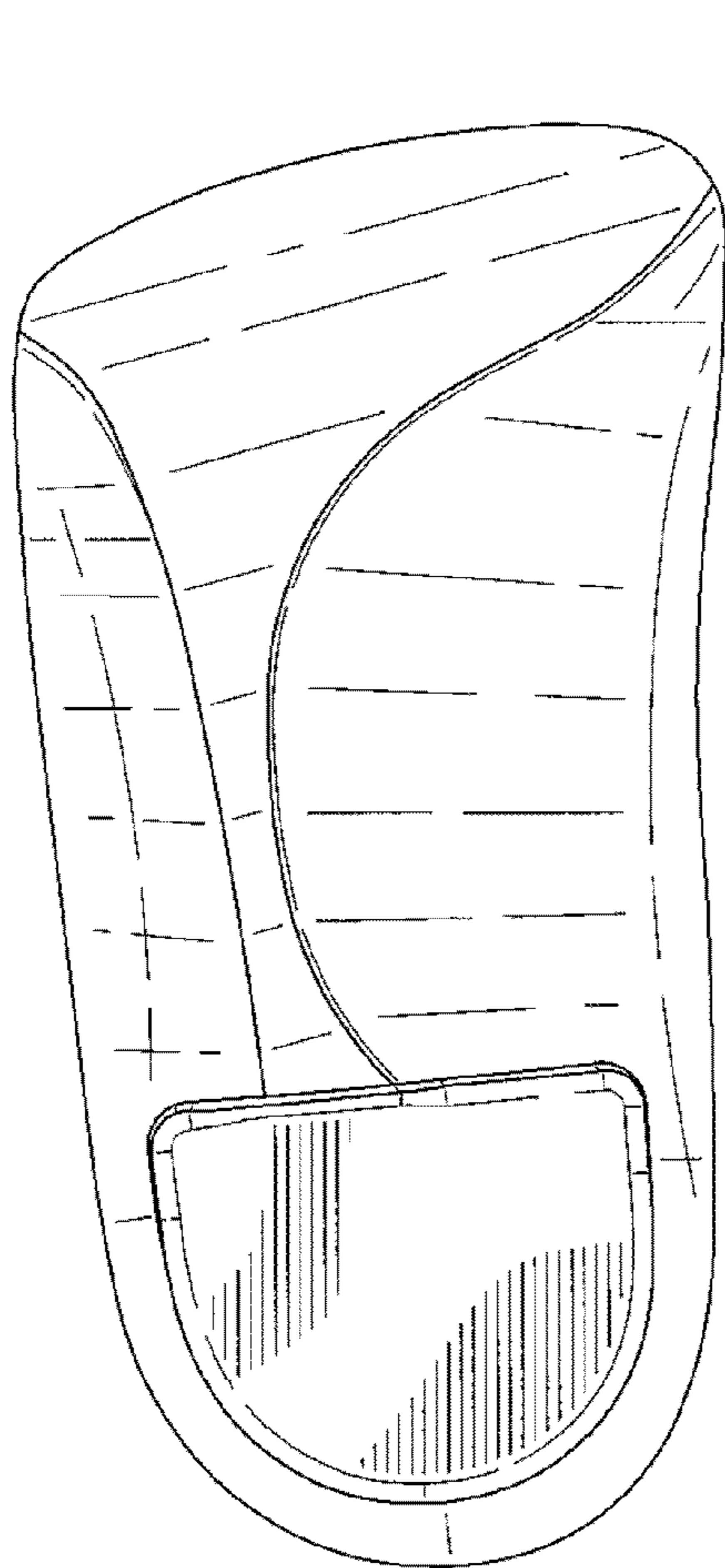


FIG-3

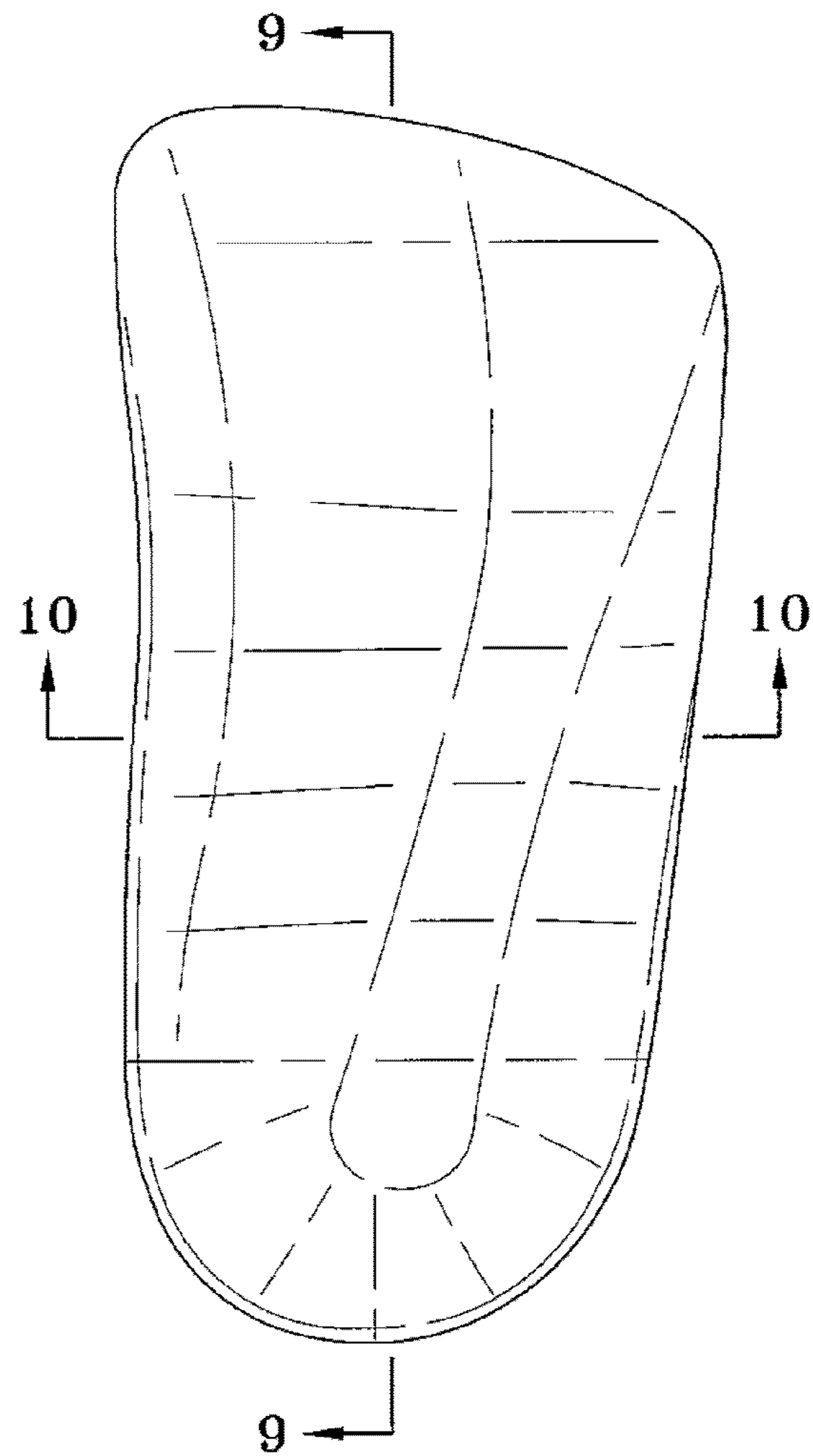


FIG-4

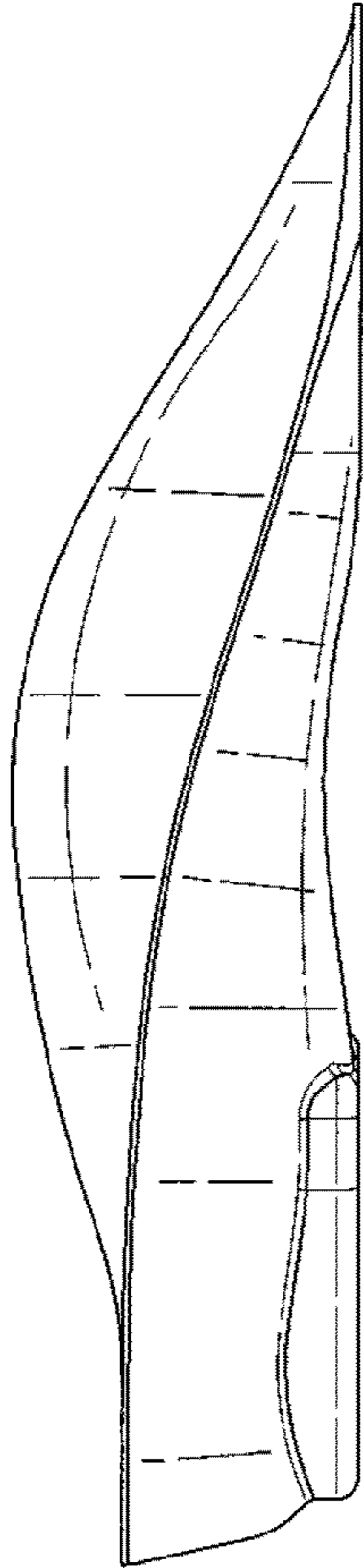


FIG-5

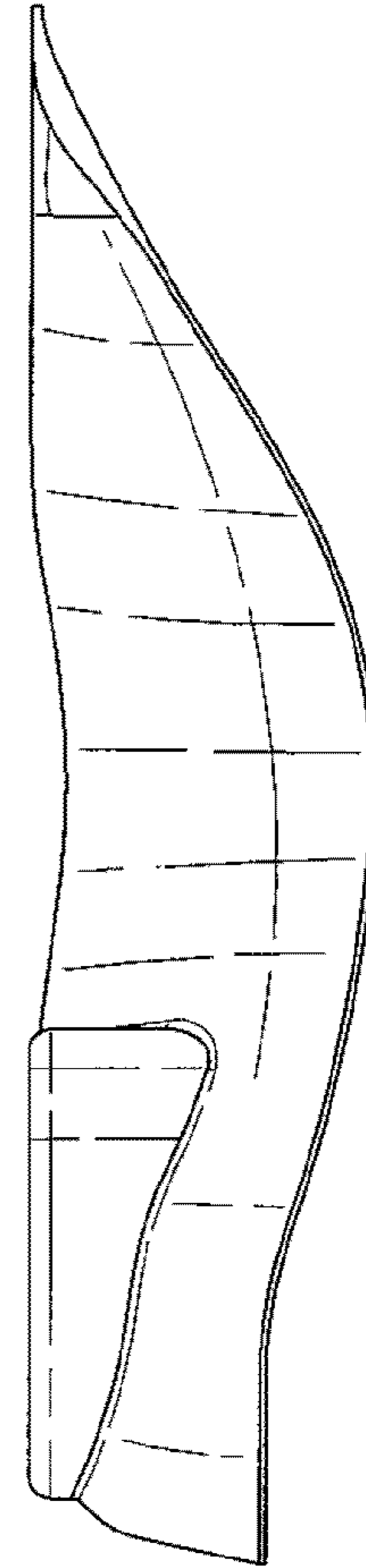


FIG-6

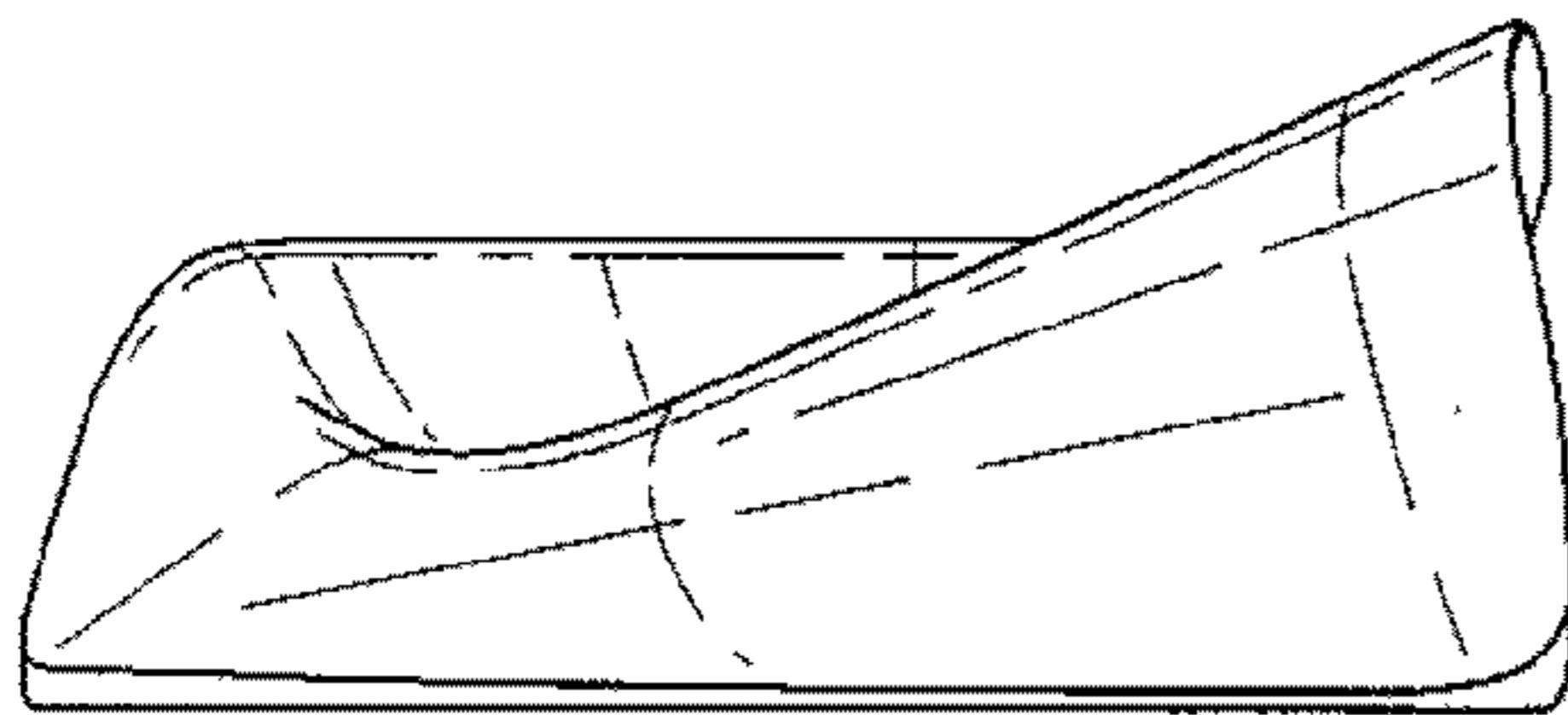


FIG-7

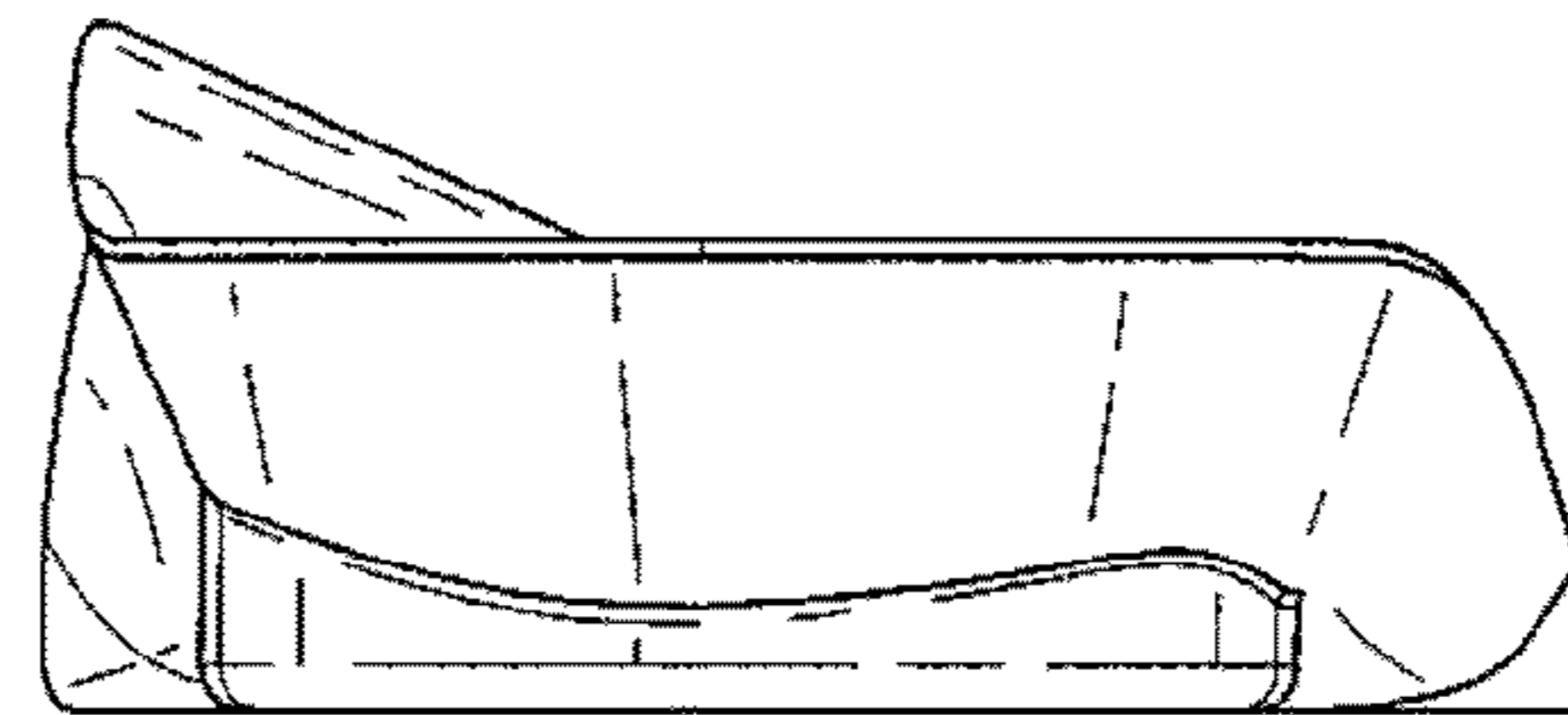


FIG-8

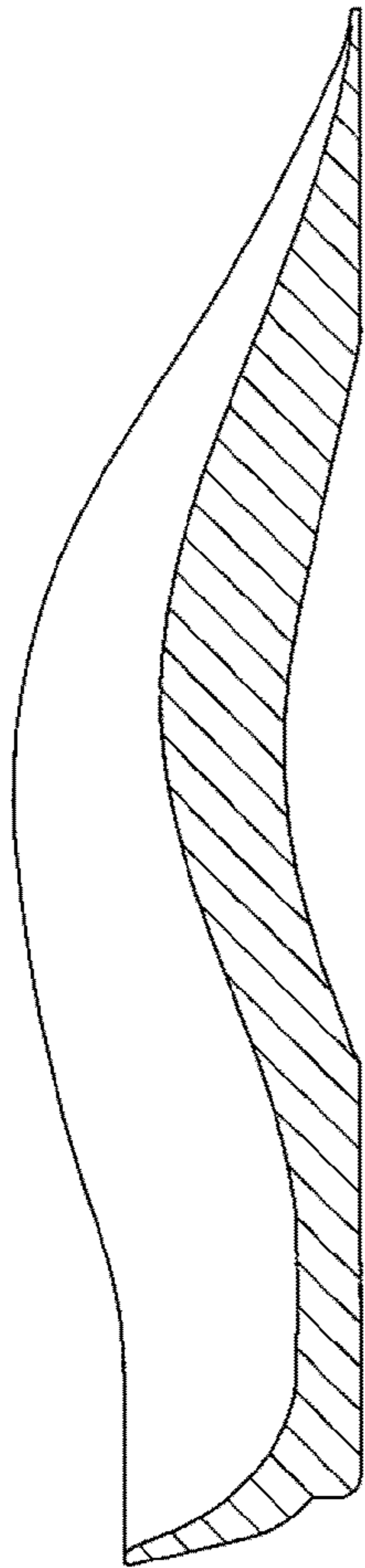


FIG-9

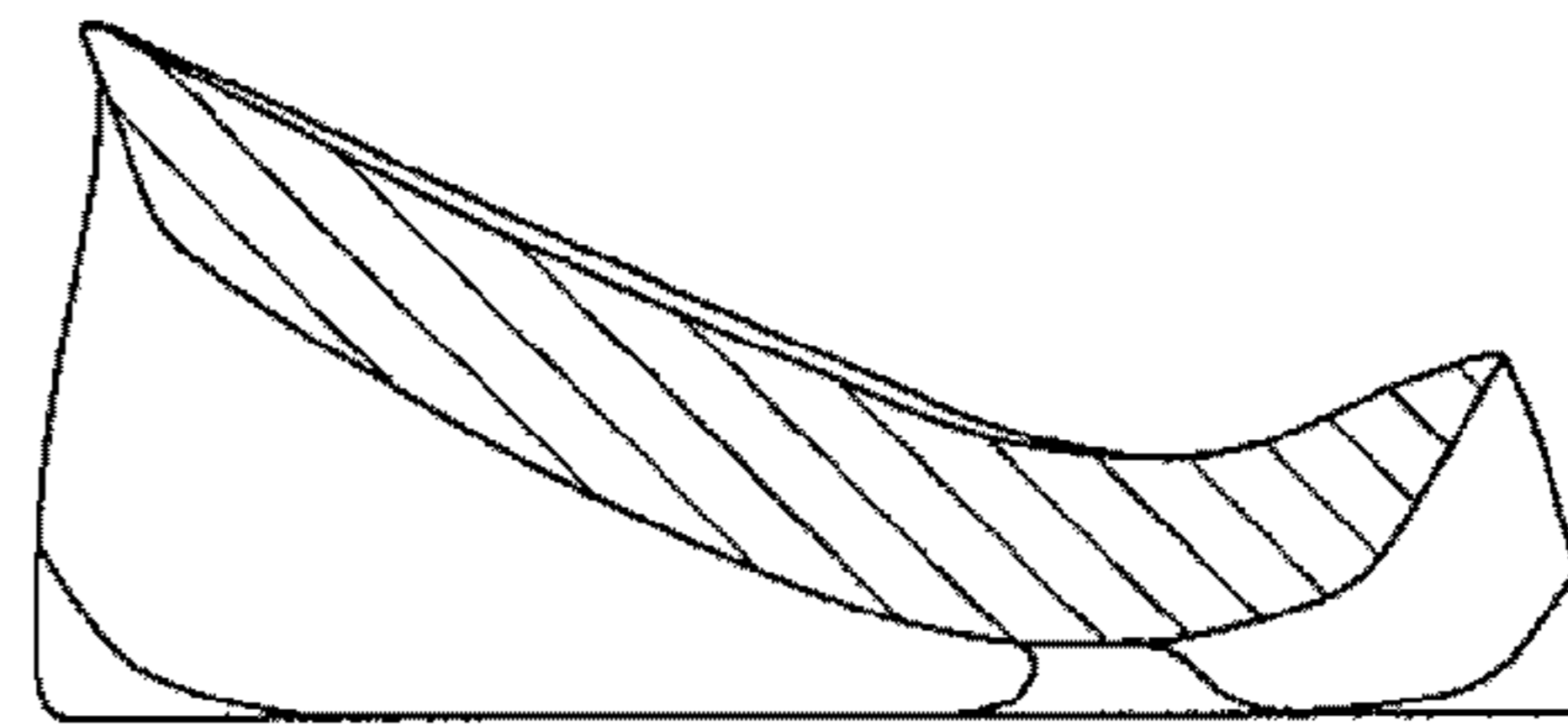


FIG-10