



US00D701026S

(12) **United States Design Patent**  
**McClaskie**

(10) **Patent No.:** **US D701,026 S**  
(45) **Date of Patent:** **\*\* Mar. 18, 2014**

- (54) **OUTSOLE FOR A SHOE**
- (71) Applicant: **Thomas McClaskie**, Bethlehem, PA (US)
- (72) Inventor: **Thomas McClaskie**, Bethlehem, PA (US)
- (73) Assignee: **Columbia Insurance Company**, Omaha, NE (US)
- (\*\*) Term: **14 Years**
- (21) Appl. No.: **29/441,377**
- (22) Filed: **Jan. 4, 2013**
- (51) **LOC (10) Cl.** ..... **02-04**
- (52) **U.S. Cl.**  
USPC ..... **D2/952**; D2/948; D2/951; D2/950
- (58) **Field of Classification Search**  
USPC ..... D2/902, 906, 908, 916, 918, 925, D2/946-962, 977; 36/3 B, 22 R, 24.5, 25 R, 36/28, 32 R, 34 R, 59 C, 67 A, 103  
See application file for complete search history.

D610,787 S *	3/2010	McClaskie	.....	D2/952
D654,257 S *	2/2012	McClaskie	.....	D2/952
D654,672 S *	2/2012	McClaskie	.....	D2/951
D654,675 S *	2/2012	McClaskie	.....	D2/952
D664,340 S *	7/2012	McClaskie	.....	D2/951
D669,671 S *	10/2012	McClaskie	.....	D2/952
D674,174 S *	1/2013	McClaskie	.....	D2/950
D688,445 S *	8/2013	Taylor	.....	D2/960

\* cited by examiner

*Primary Examiner* — T. Chase Nelson

(74) *Attorney, Agent, or Firm* — IP Attorneys Group, LLC

(57) **CLAIM**

The ornamental design for an outsole for a shoe, as shown and described.

**DESCRIPTION**

FIG. 1 is a bottom perspective view of an outsole for a shoe in accordance with my new design; FIG. 2 is a bottom view thereof; FIG. 3 is a top view thereof; FIG. 4 is a right side view thereof; FIG. 5 is a left side view thereof; FIG. 6 is a front view thereof; and, FIG. 7 is a rear view thereof.

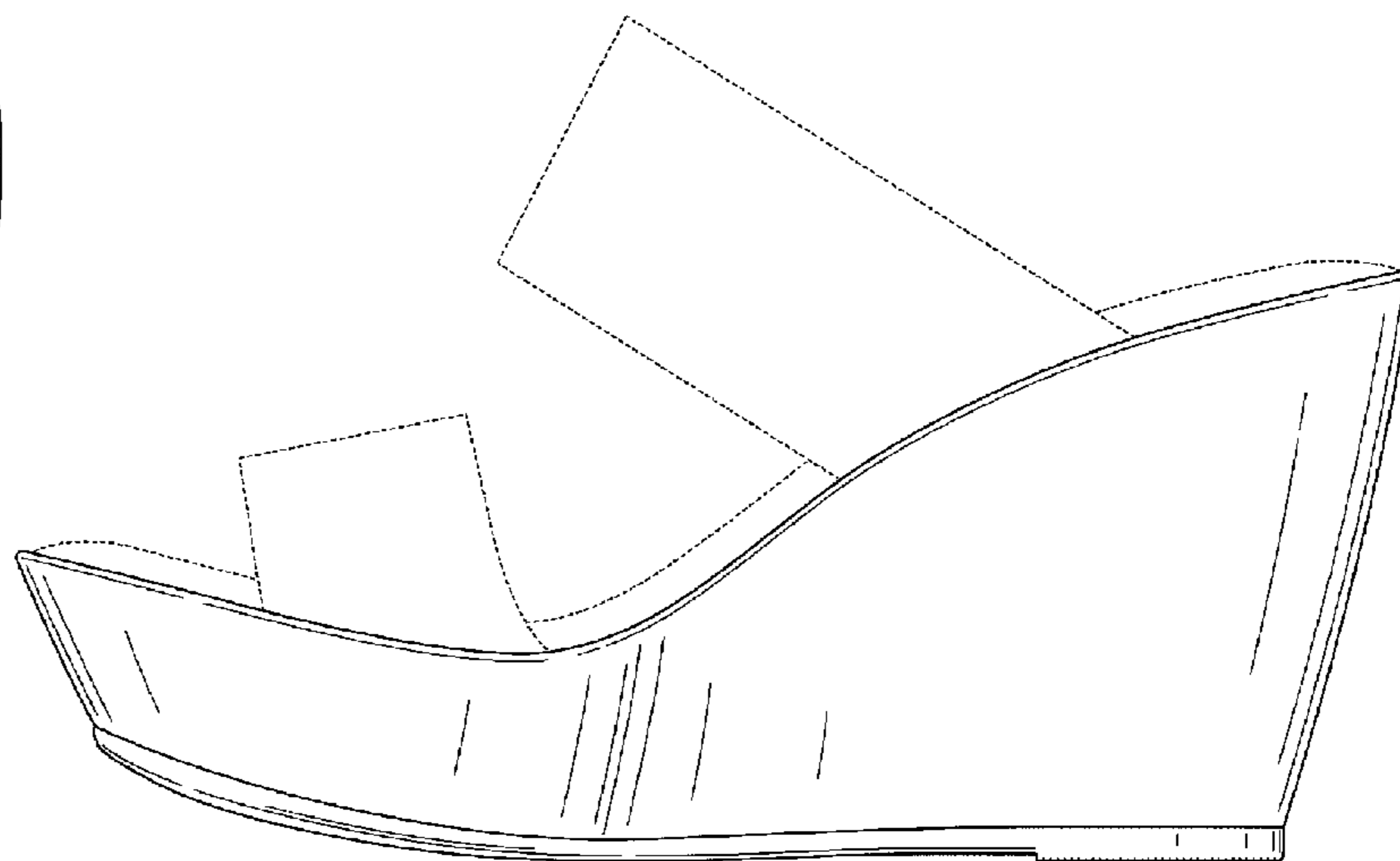
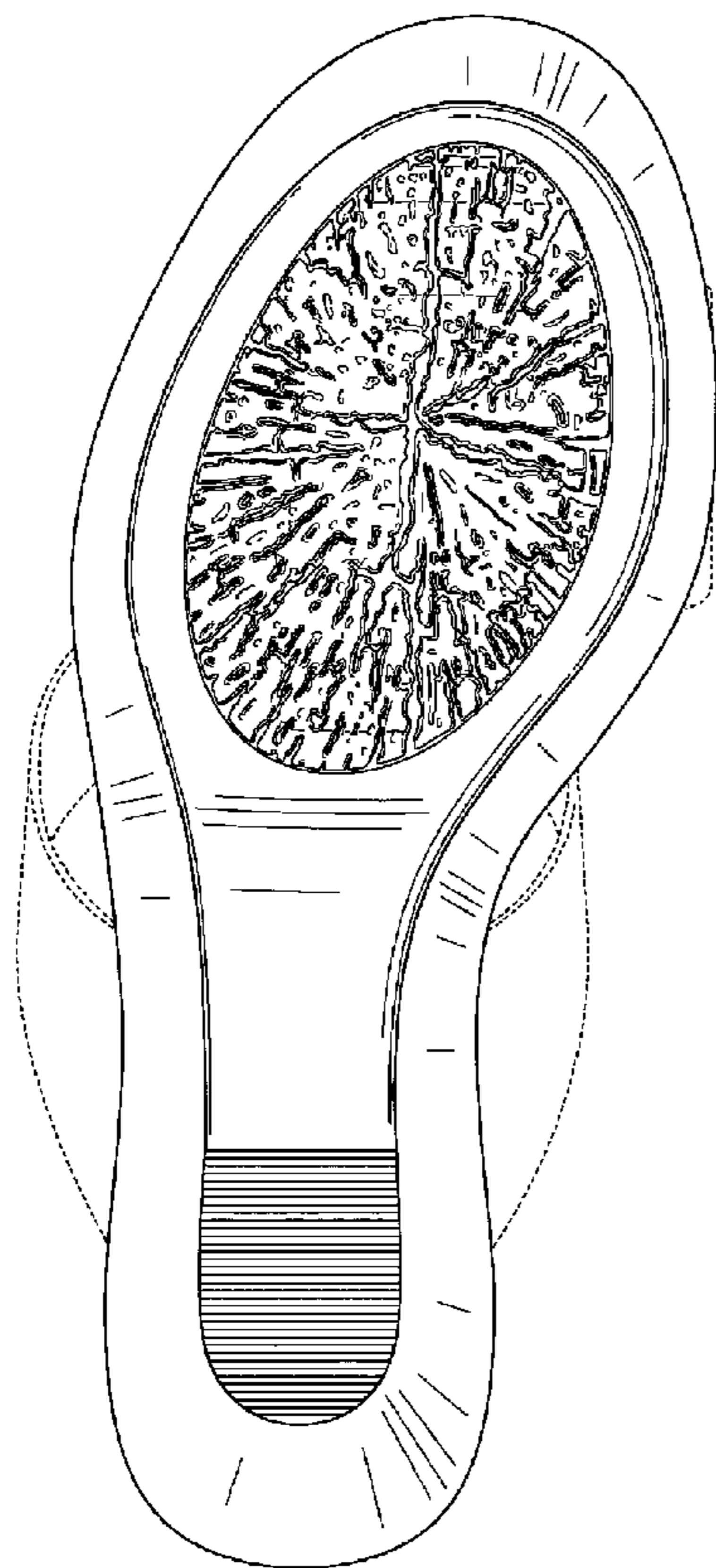
The broken lines shown in all of the figures are for environmental purposes and form no part of the claim.

**1 Claim, 7 Drawing Sheets**

(56) **References Cited**

**U.S. PATENT DOCUMENTS**

D572,884 S *	7/2008	Belley et al.	.....	D2/953
D580,135 S *	11/2008	Belley et al.	.....	D2/952



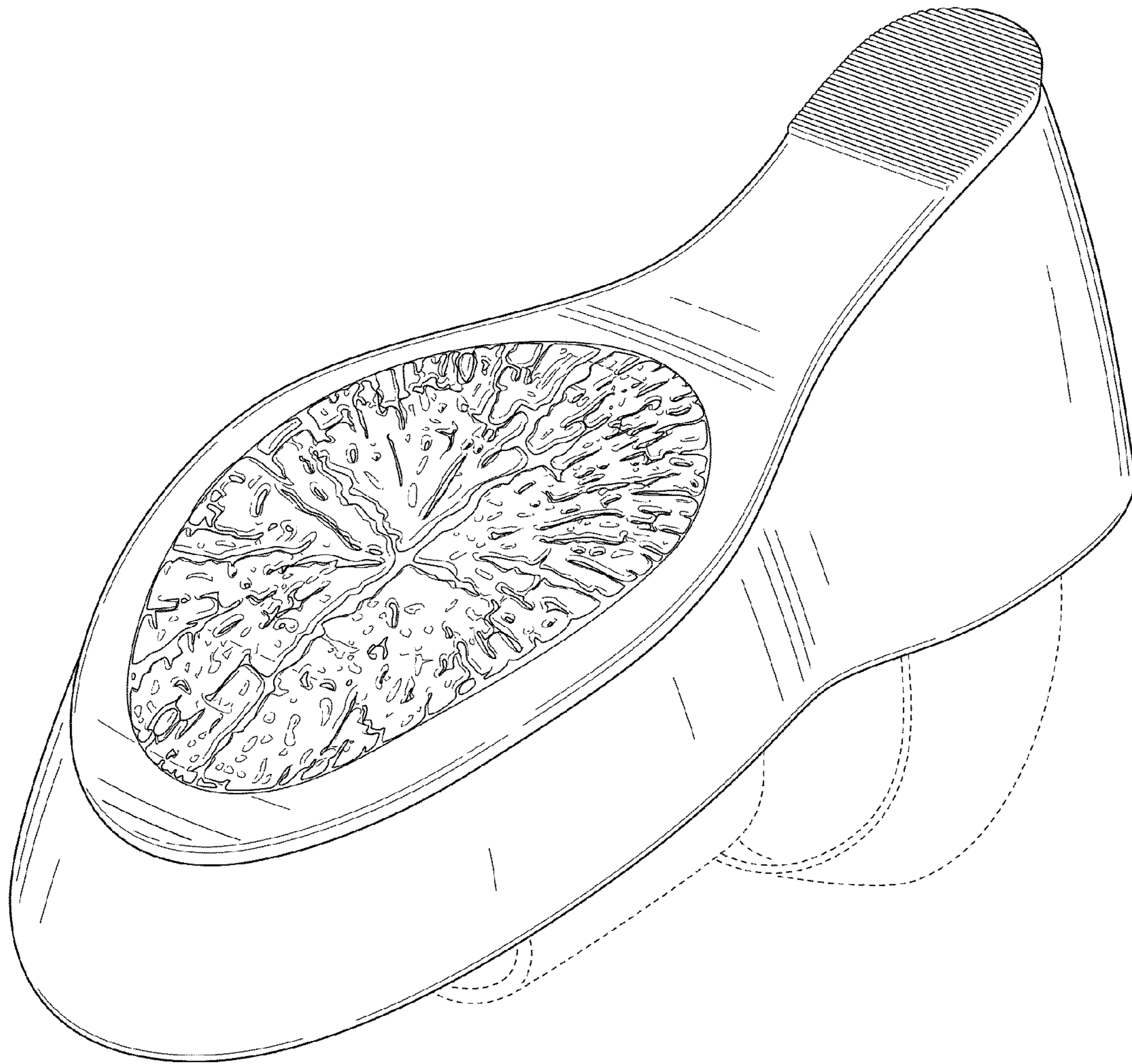


FIG. 1

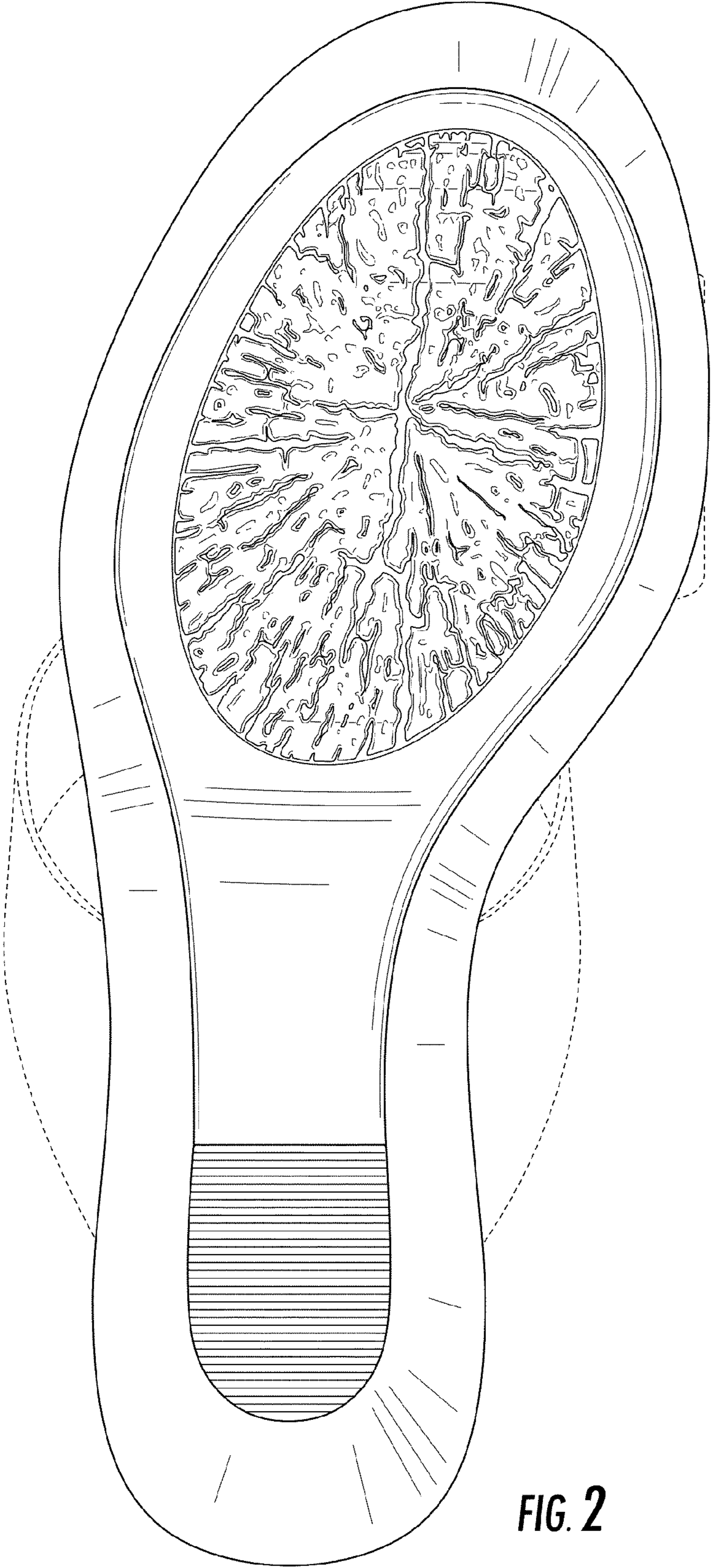


FIG. 2

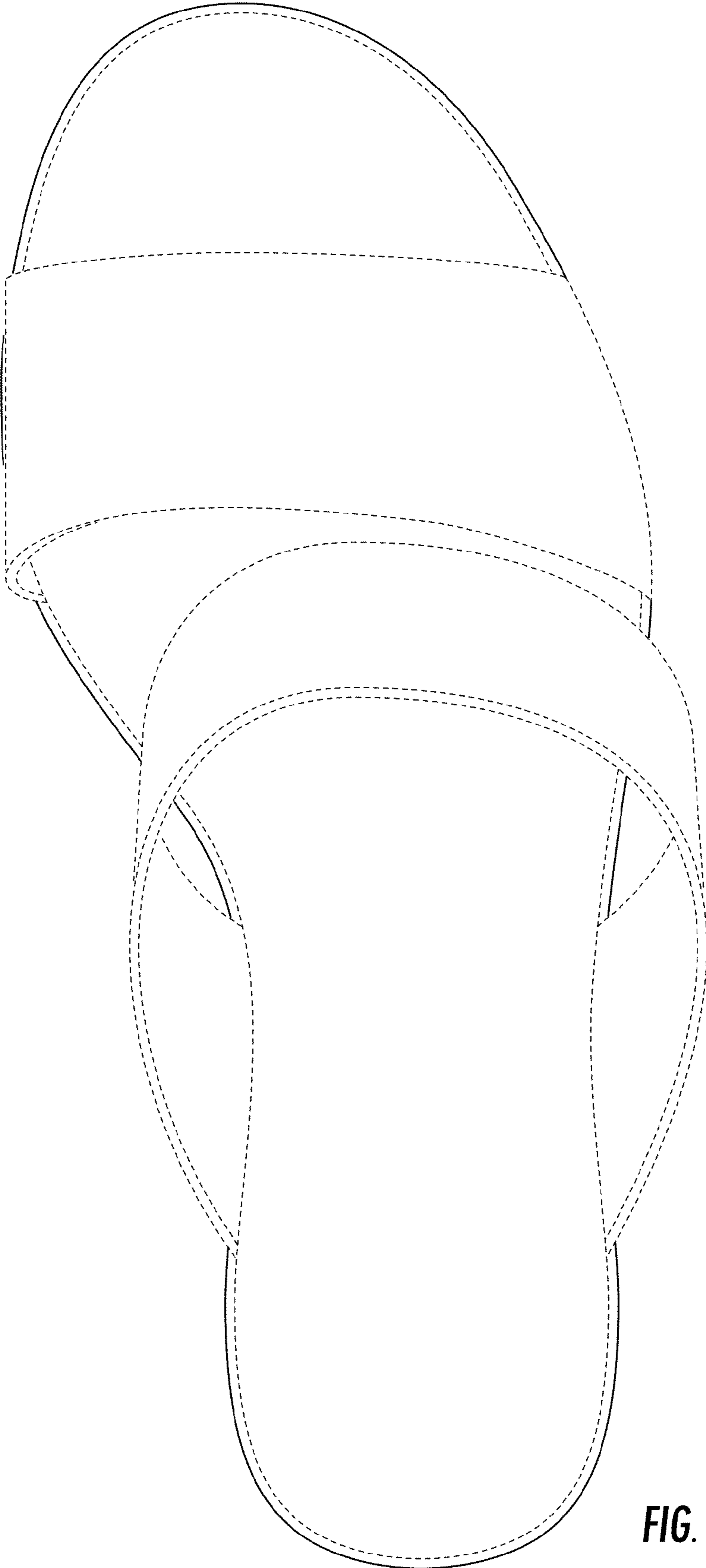


FIG. 3

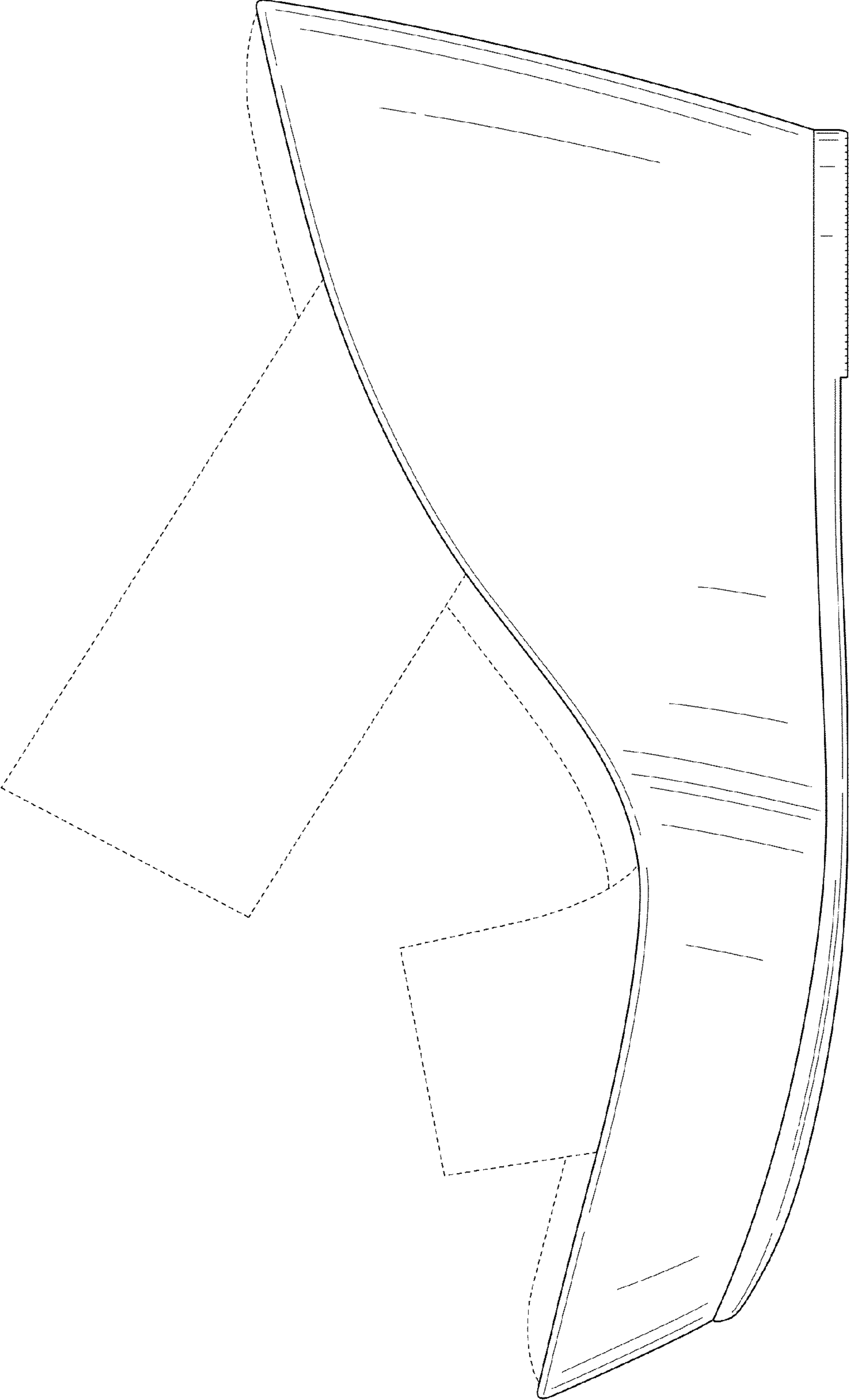


FIG. 4

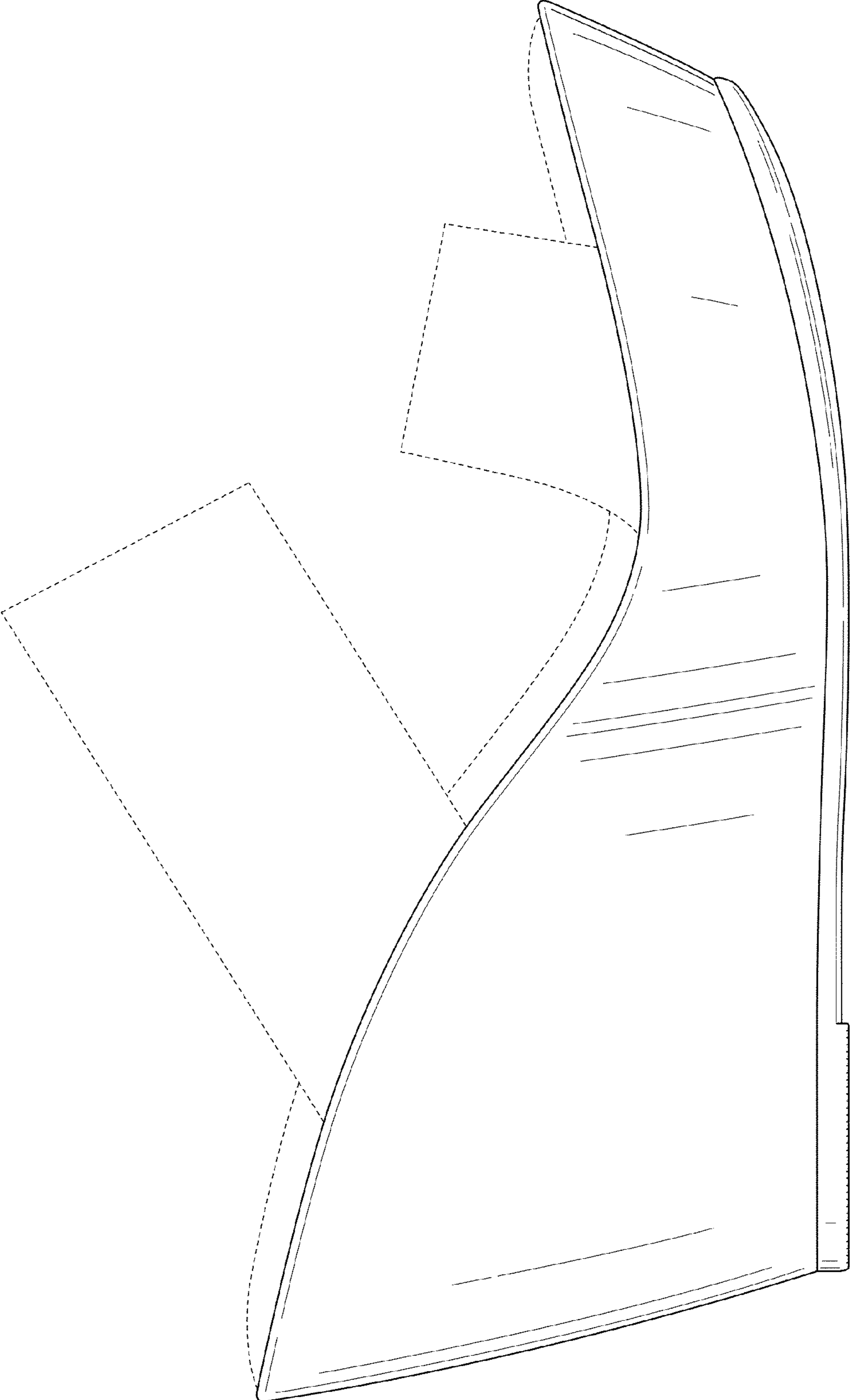


FIG. 5

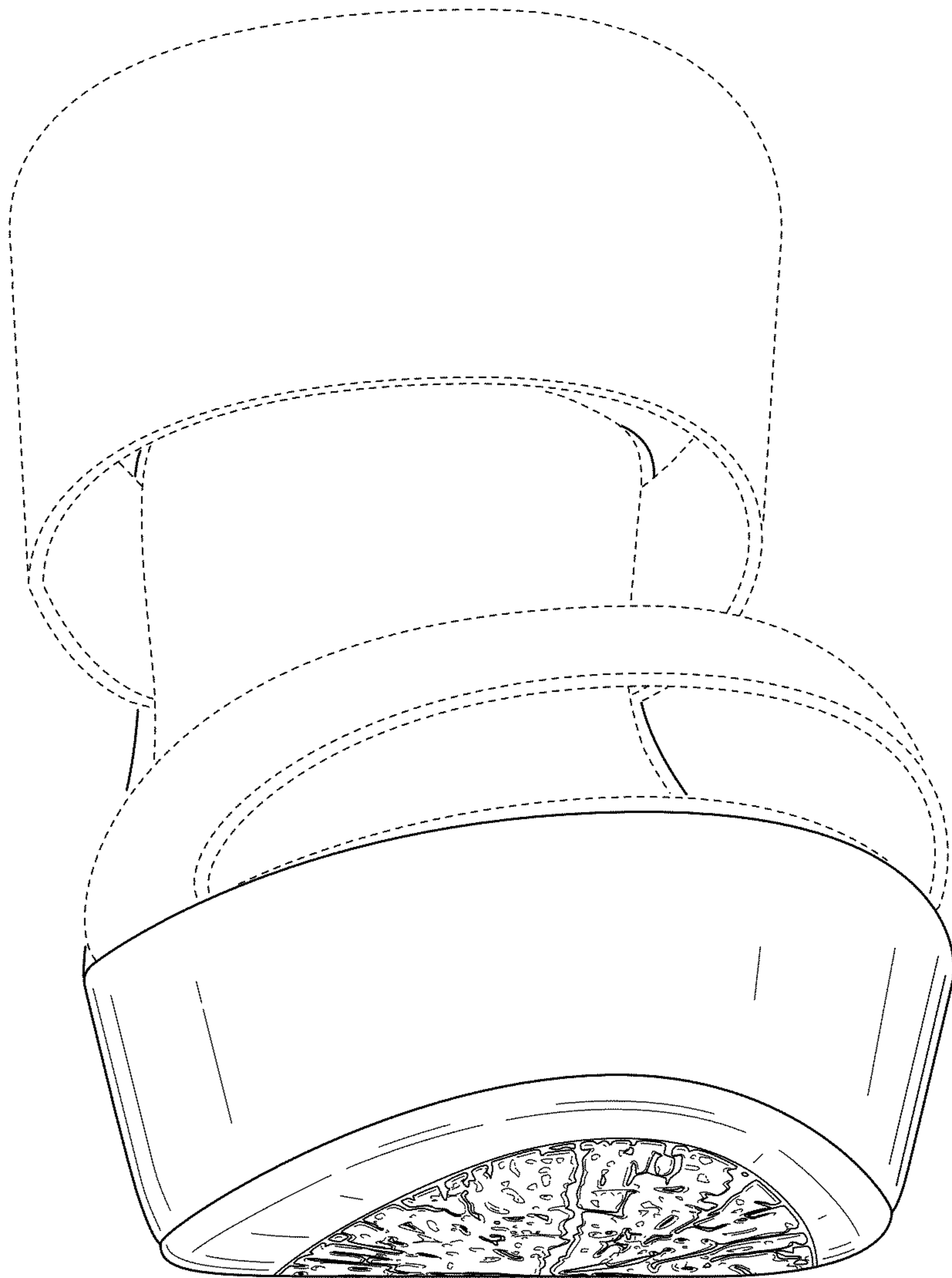
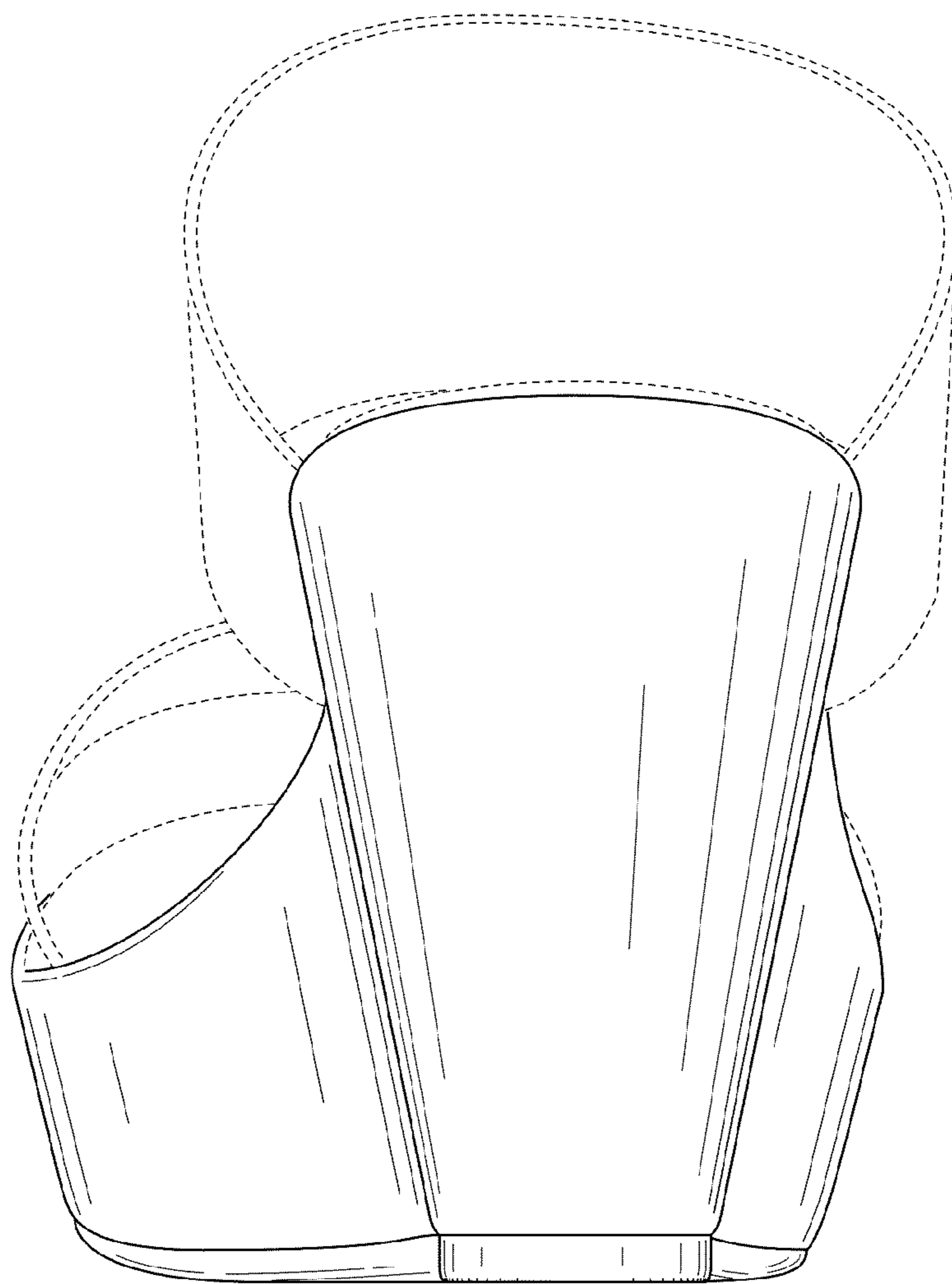


FIG. 6



**FIG. 7**